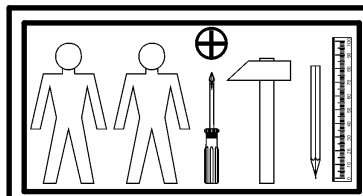
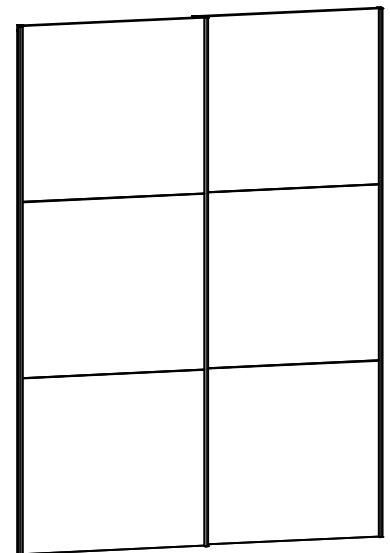
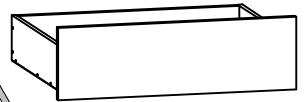
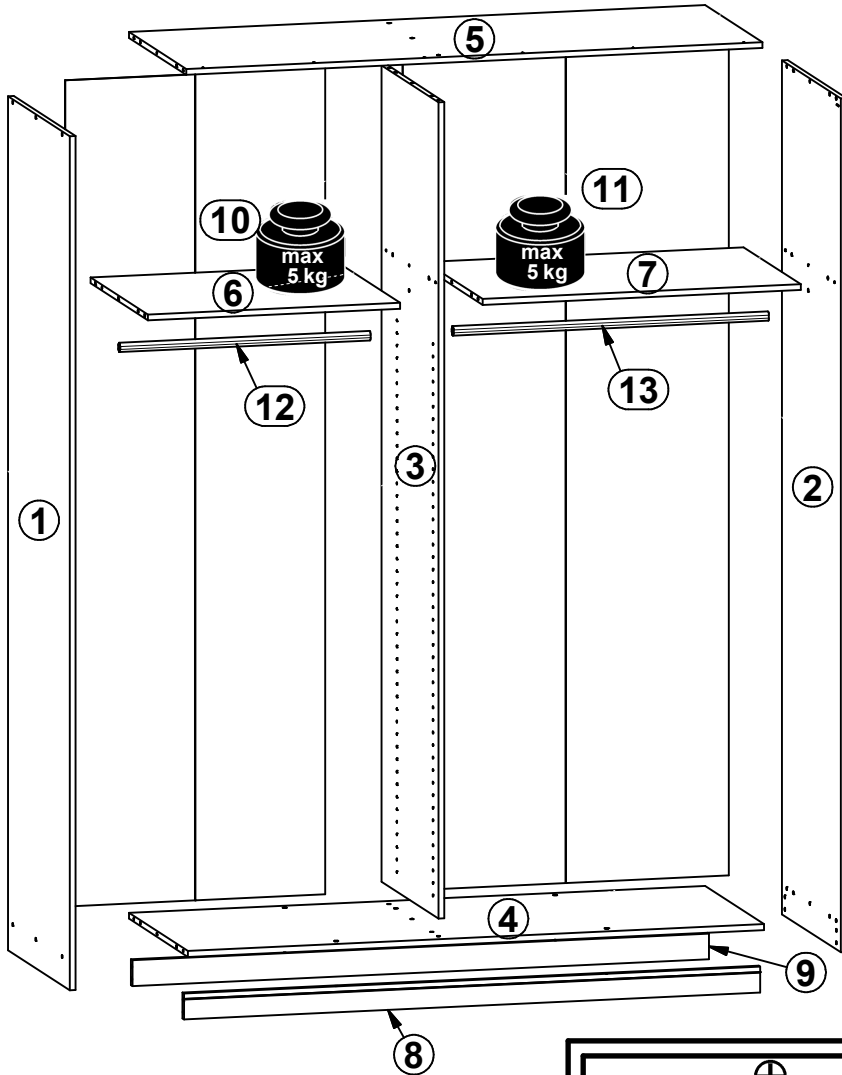
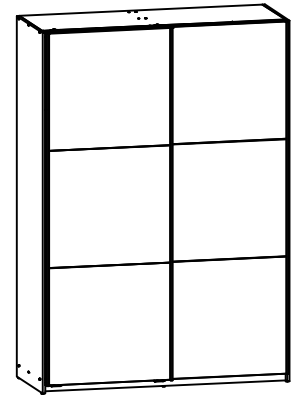
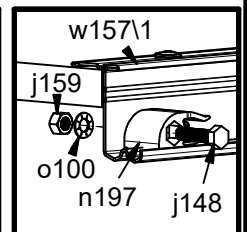
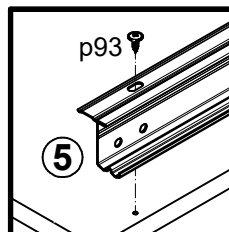
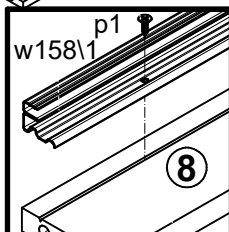
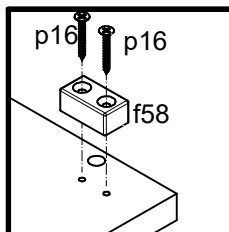
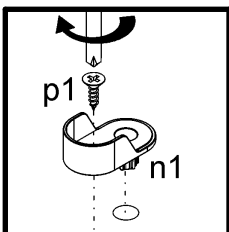
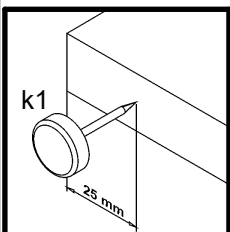
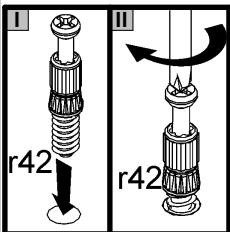
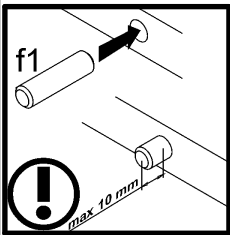
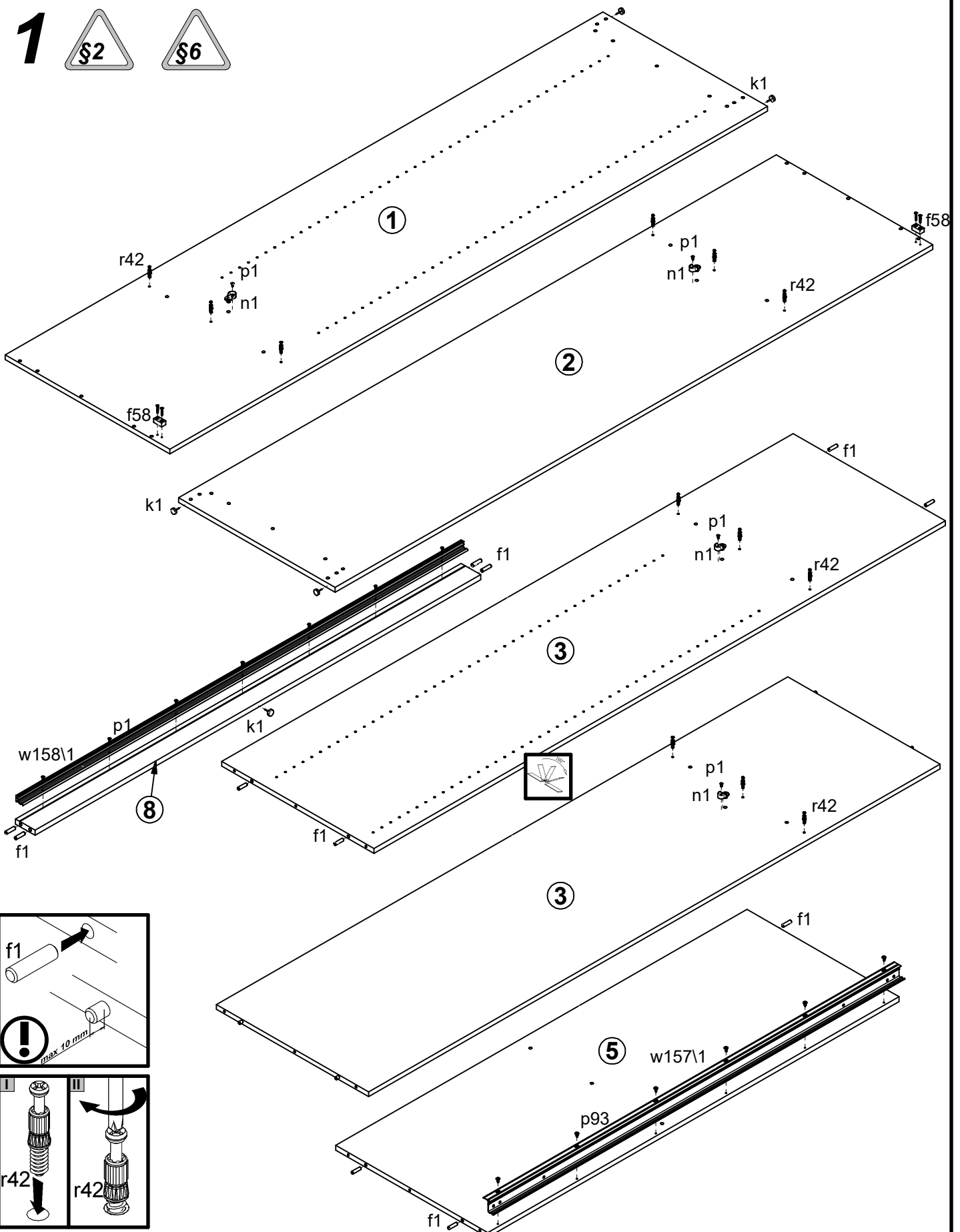


A	B	C	D	A	B	C	D		
1	F24-101	2180	600	1/4	9	F24-402	1500	66	1/4
2	F24-102	2180	571	1/4	10	F24-901	2109	677	1/4
3	F24-103	2084	555	1/4	11	F24-902	2109	849	1/4
4	F24-301	1500	571	2/4	12	dr-652	652	22	2/4
5	F24-302	1500	555	2/4	13	dr-821	821	22	2/4
6	F24-303	657	555	2/4					
7	F24-304	828	555	2/4					
8	F24-401	1500	66	1/4					

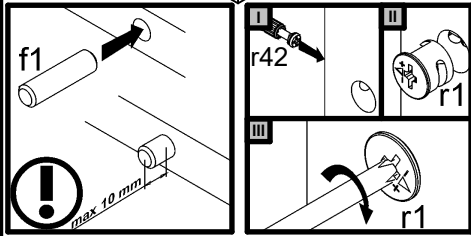
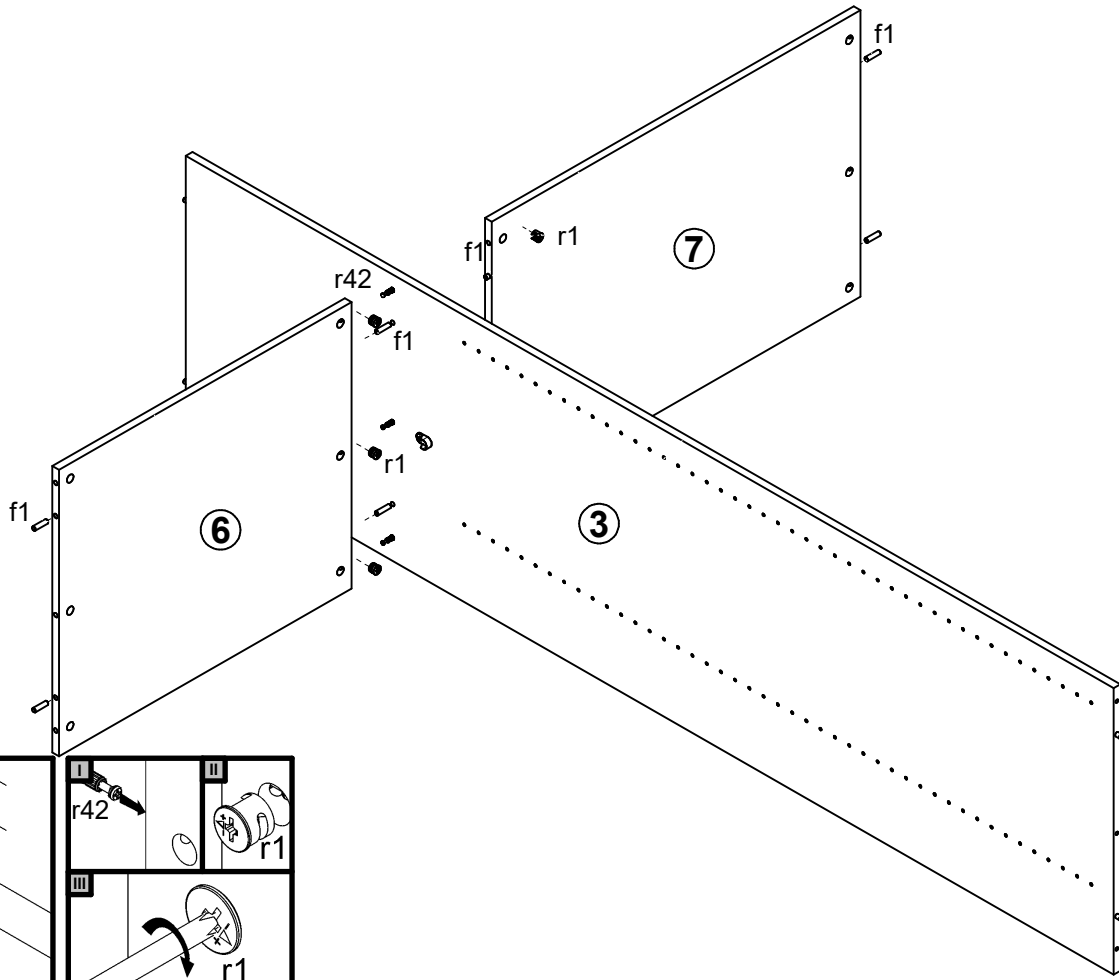


22x φ7x50 mm e1	24x φ5,5x13 mm e13	28x φ8x30 mm f1	2x f58	2x M5x20 mm j148	2x M5 j159	6x k1	130x l1	4x n1
3x n140\3	4x n148	2x n194	2x n195	1x n196	2x n197	2x n198	2x n199	2x φ5xφ10 o100
12x φ3,5x13 mm p1	4x φ3,5x25 mm p16	78x φ4x13 mm p93	12x φ15x12mm #16 r1	12x r42	16x s1	12x ø16 s2	1x L-1498mm w157\1	1x L-1498mm w158\1
3x L=2130mm w136\10	1x L=2130mm w159\2	1x z1	3x w180\1					

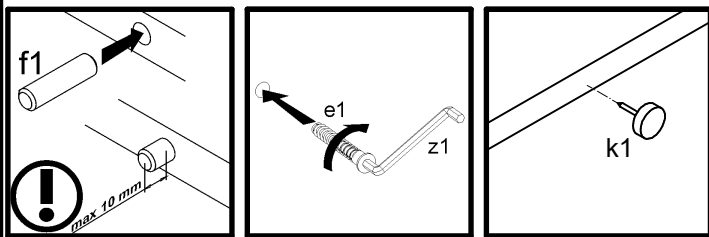
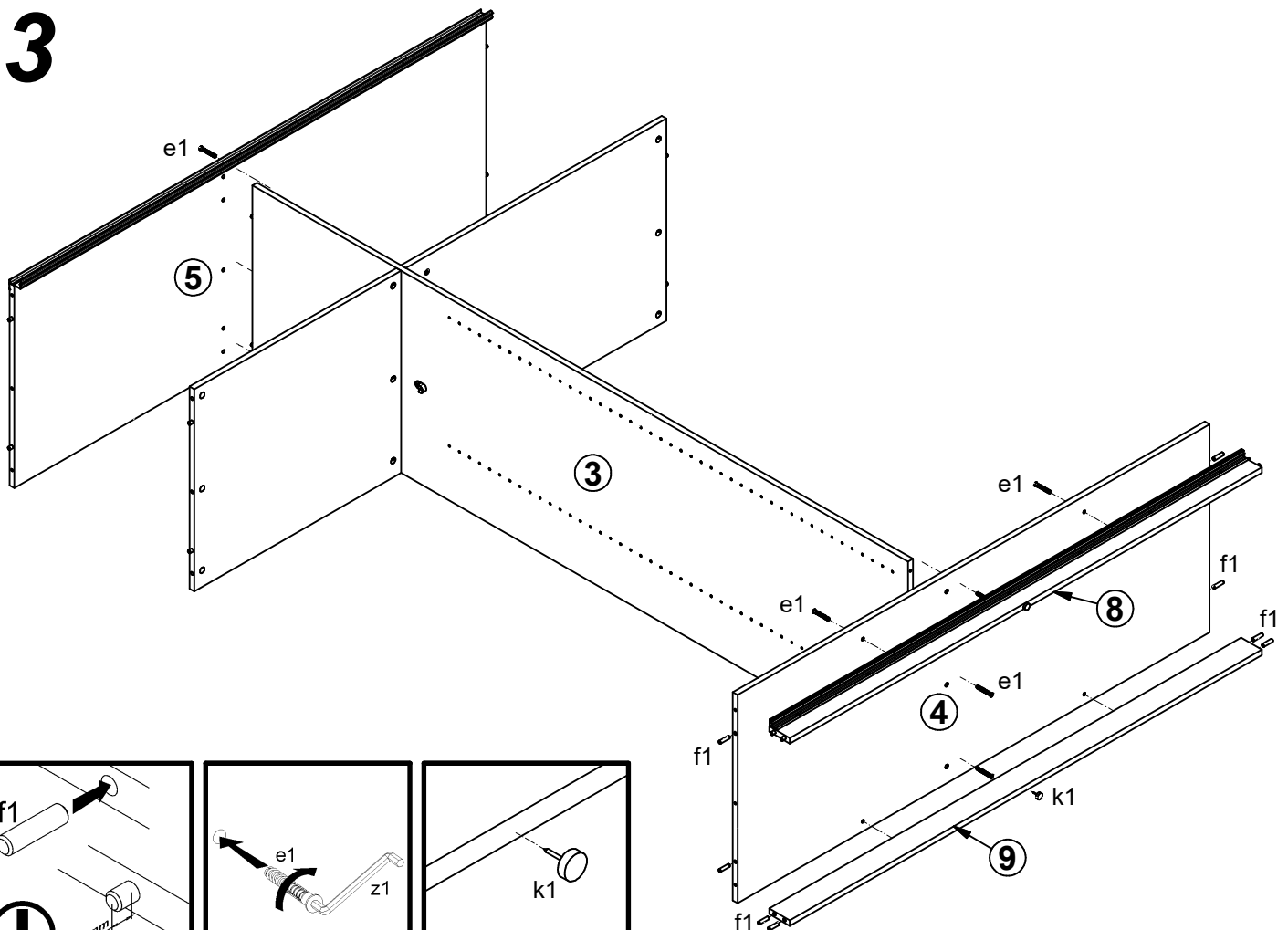
1



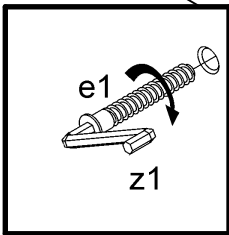
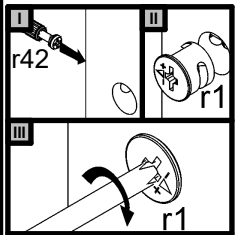
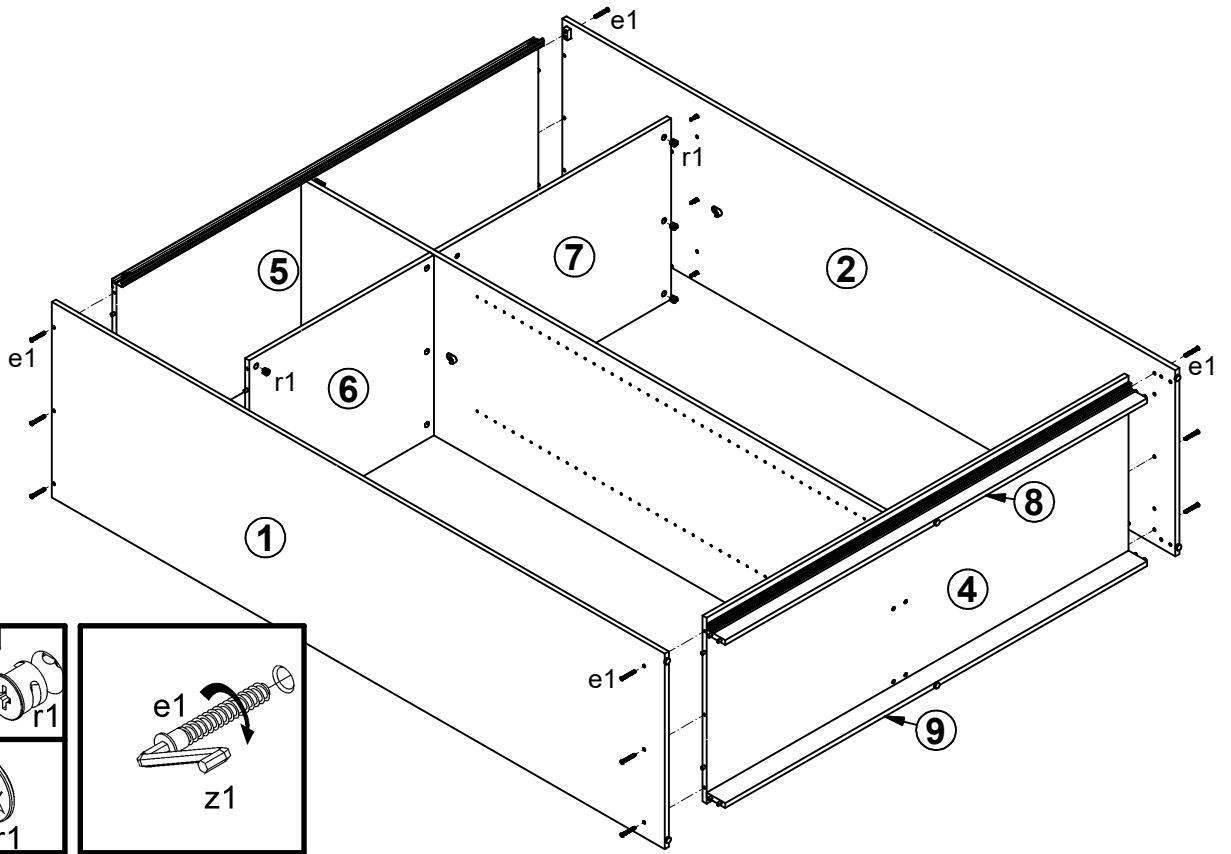
2



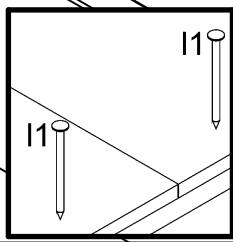
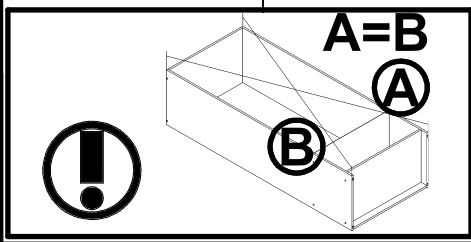
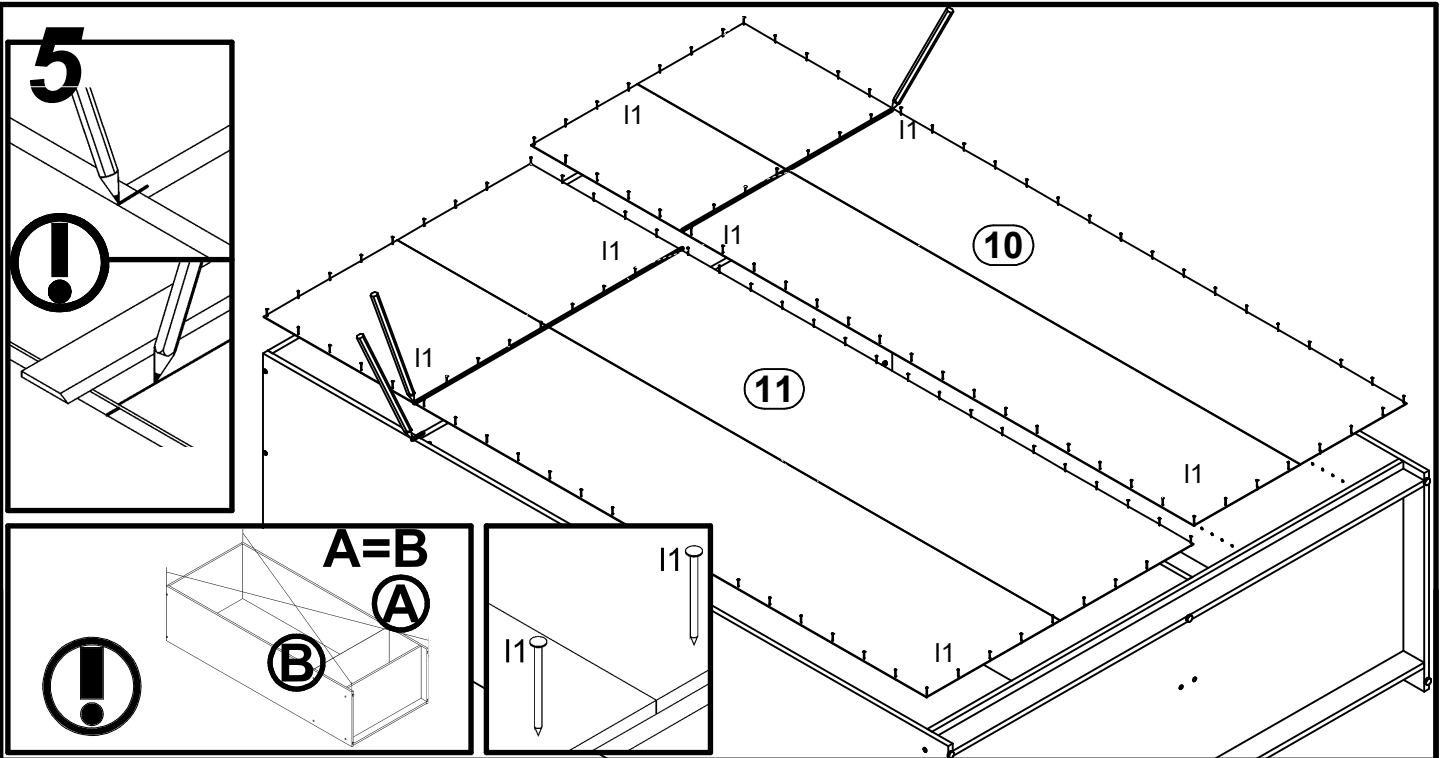
3



4



5



6

