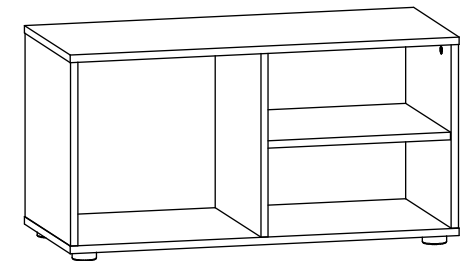
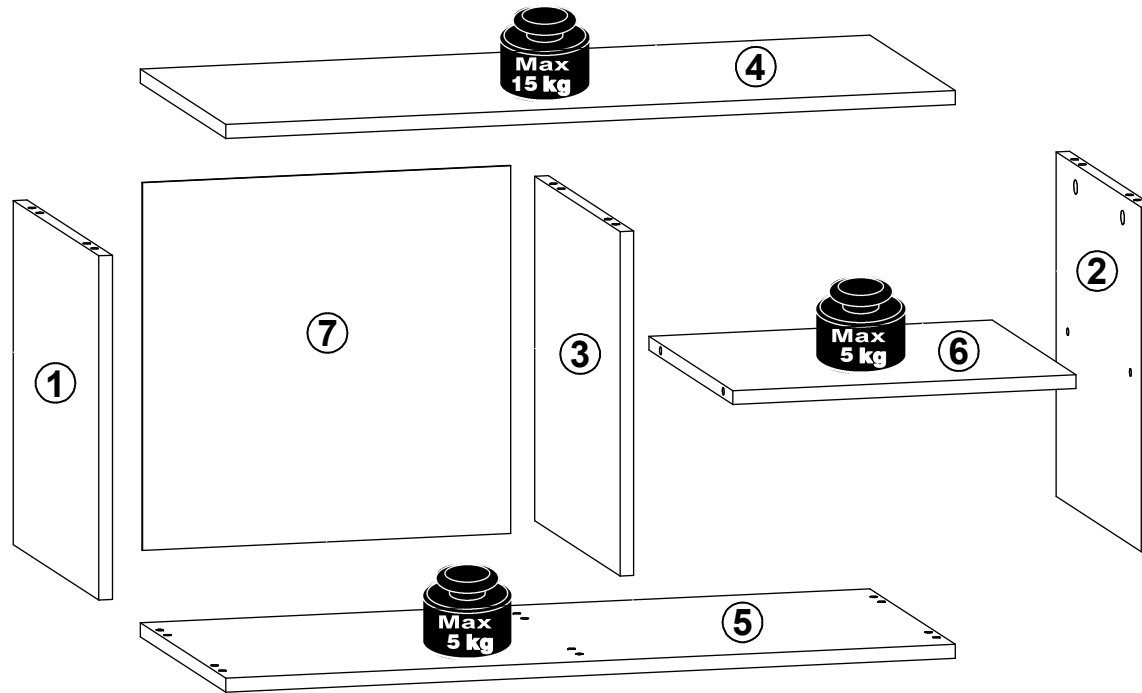


30min



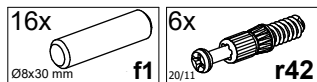
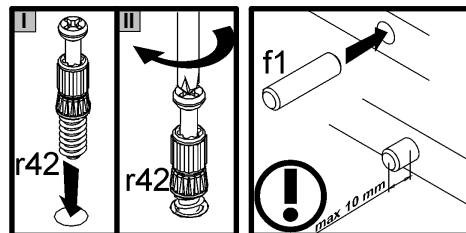
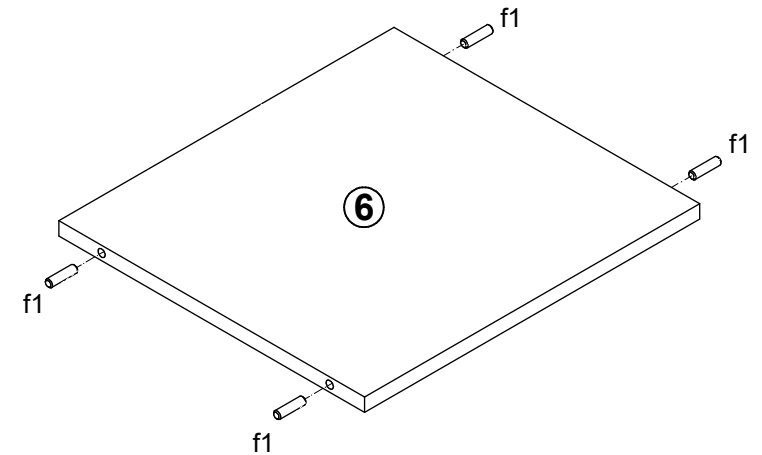
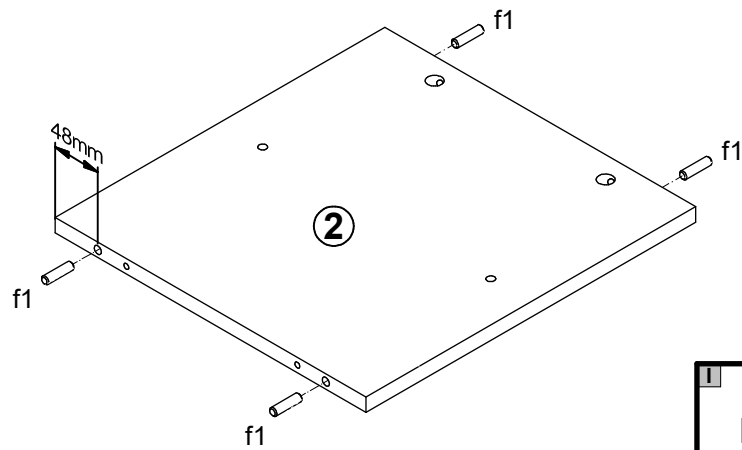
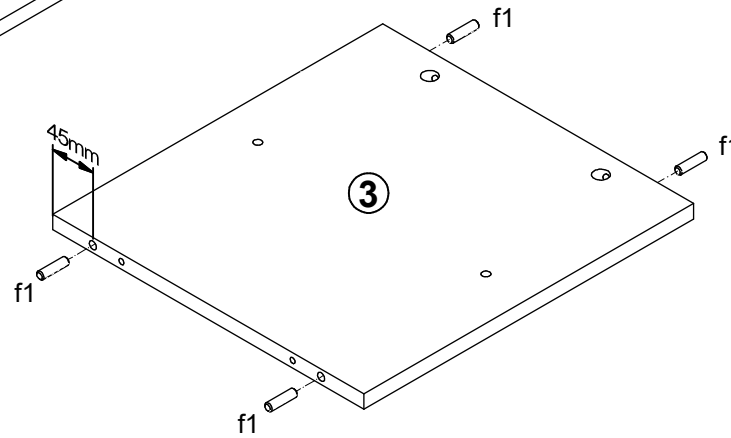
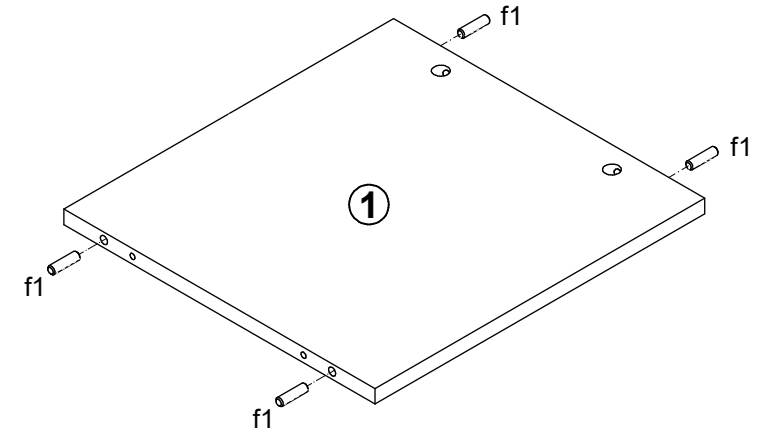
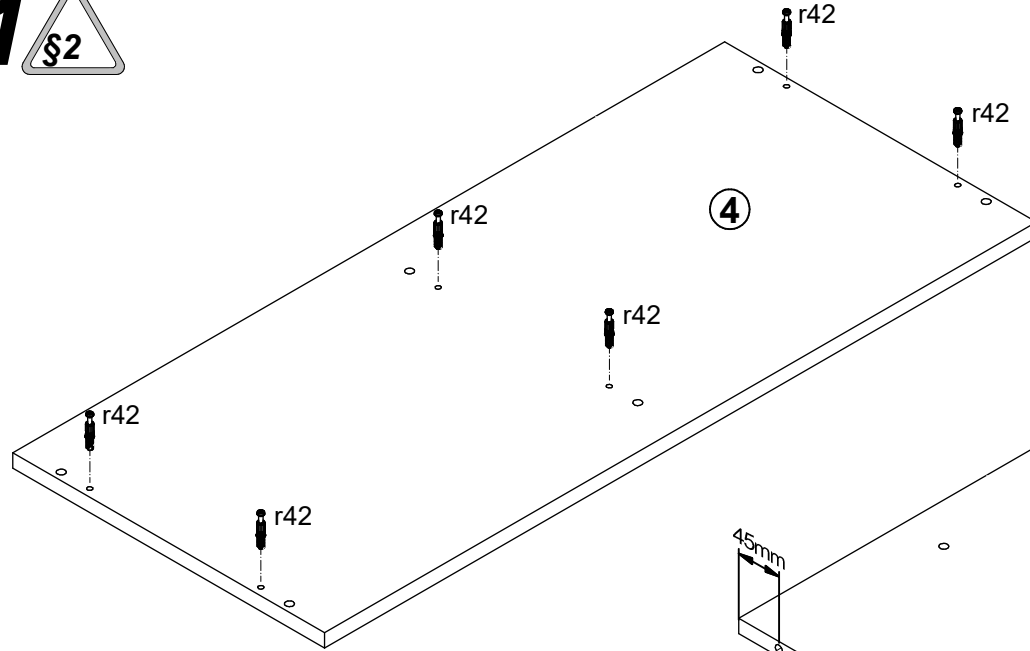
A	B	C (mm)			D
1	S610-1007	370	349	15	1/1
2	S610-1008	370	349	15	1/1
3	S610-1009	370	349	15	1/1
4	S610-2007	799	350	15	1/1
5	S610-2008	799	350	15	1/1
6	S610-3005	376	343	15	1/1
7	S610-9001	395	403	2,5	1/1



D
1/1

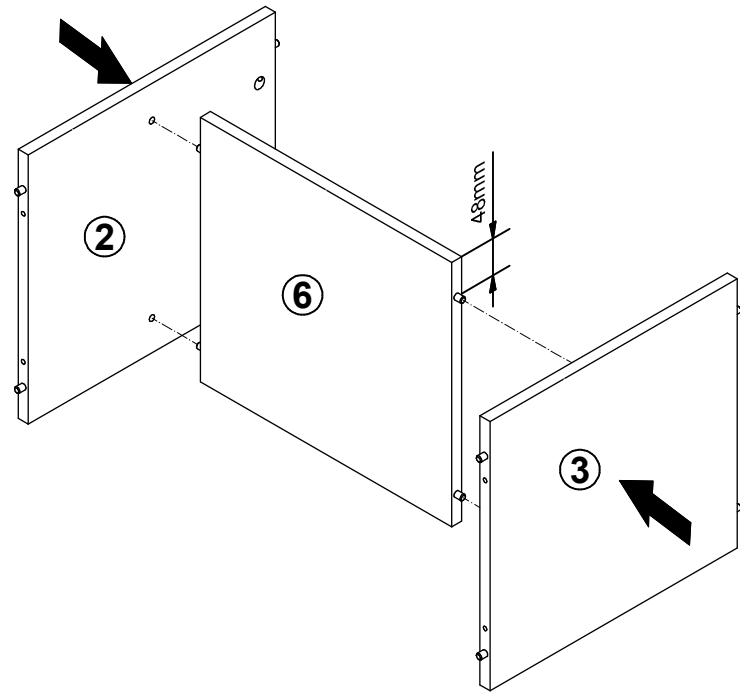
6x Ø7x50 mm e1	16x Ø8x30 mm f1	5x k27	20x 1,4x20 mm l1	1x n26	1x Ø3,5x16 mm p38	6x Ø15x12 mm #16 r1	6x 20/11 r42	6x Ø16 s2	1x 4 mm z1
----------------------	-----------------------	-----------	------------------------	-----------	-------------------------	---------------------------	--------------------	-----------------	------------------

1 

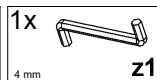
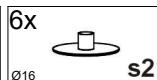
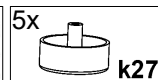
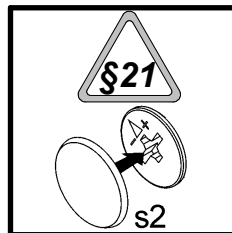
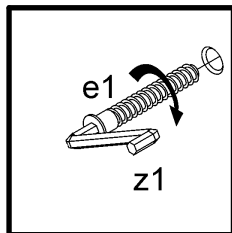
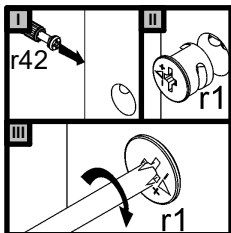
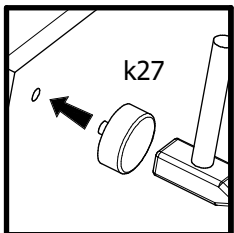
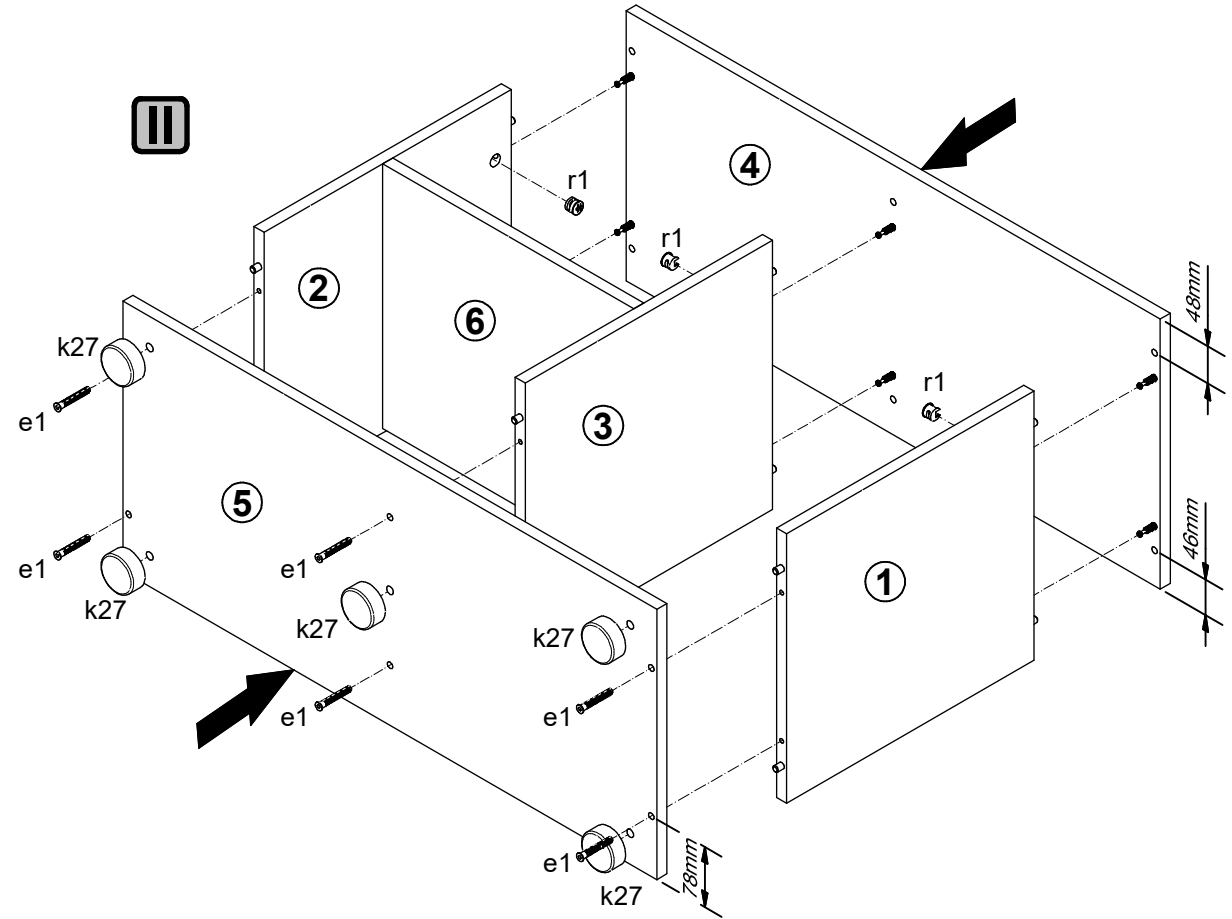


2 §6

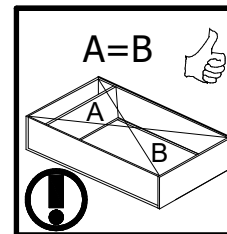
I



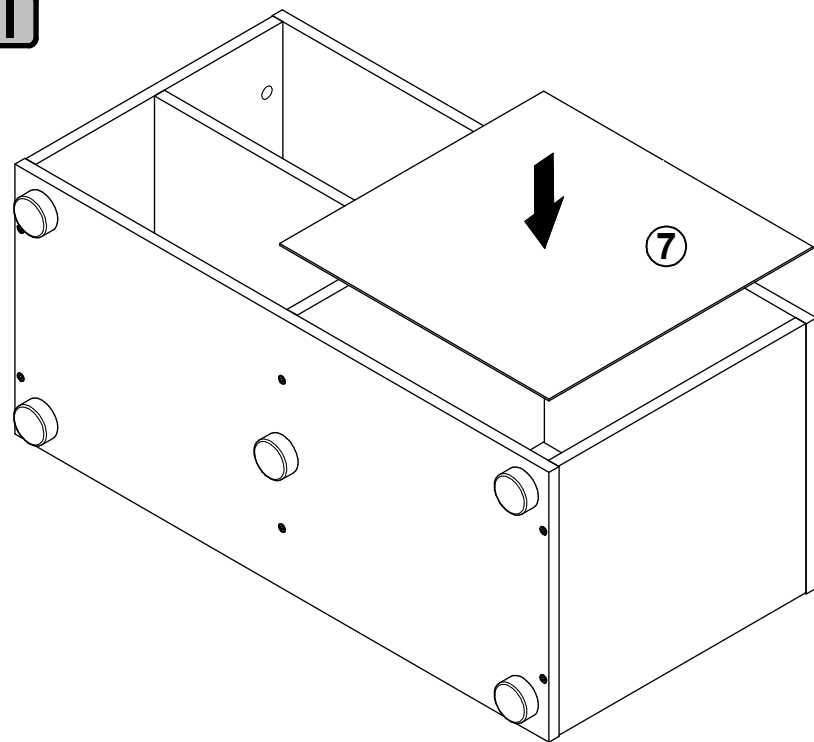
II



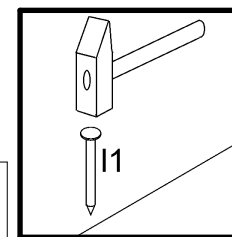
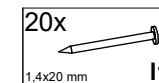
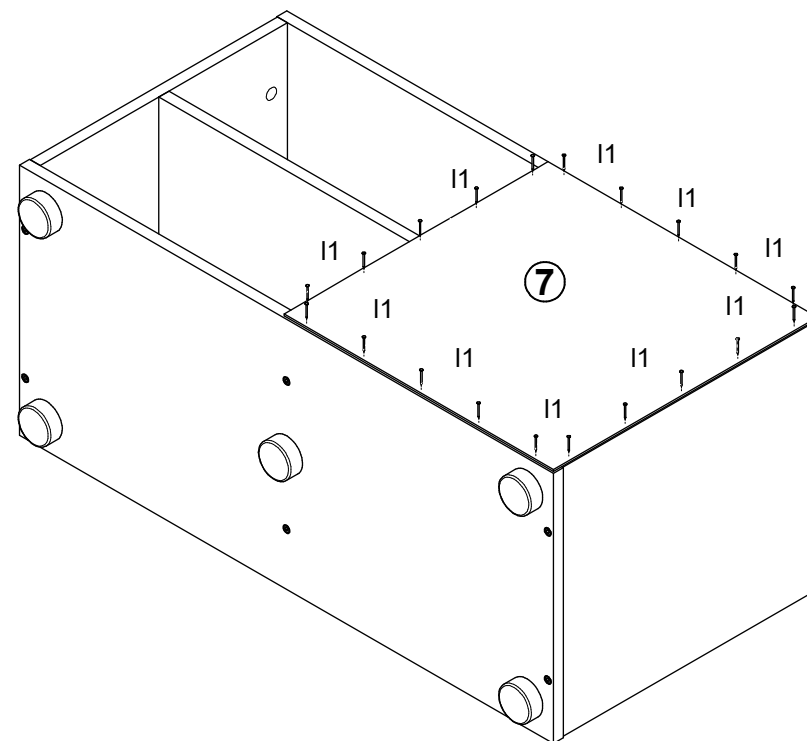
3 



I



II



4  S2

