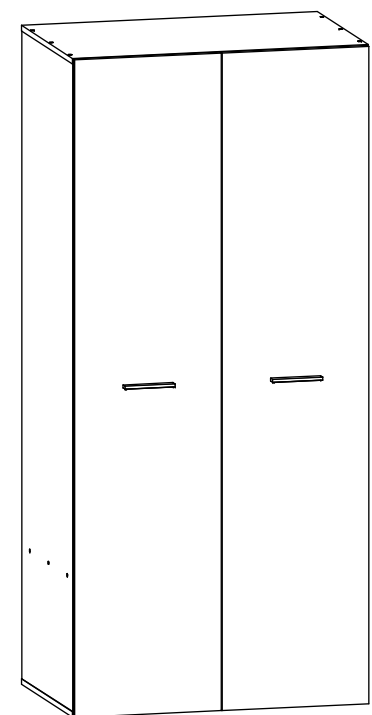
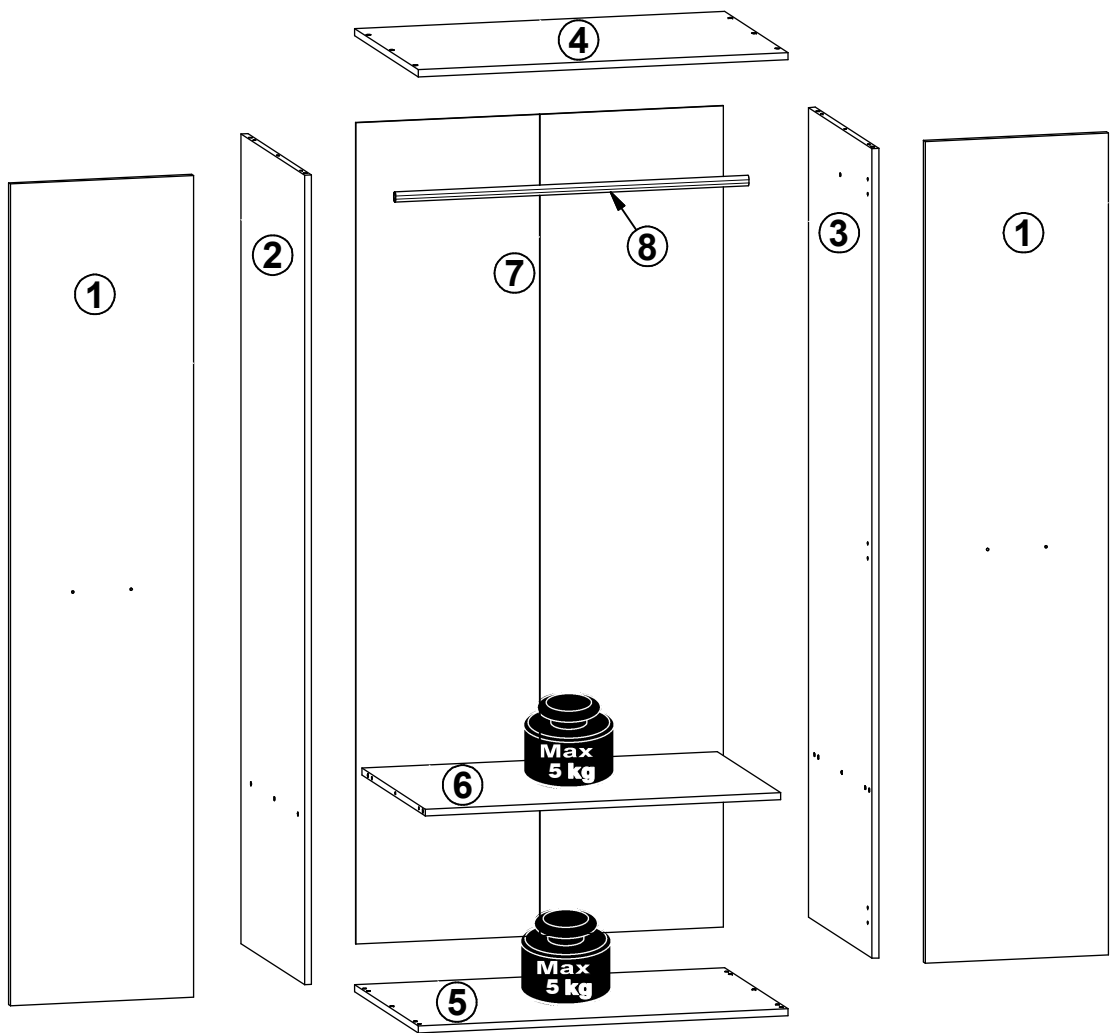


A	B	C (mm)			D
1	S610-0001	1766	401	15	1/3
2	S610-1001	1740	519	15	2/3
3	S610-1002	1740	519	15	2/3
4	S610-2001	810	520	15	3/3
5	S610-2002	810	520	15	3/3
6	S610-3001	778	518	15	3/3
7	S610-9301	1765	805	2,5	1/3
8	dr-774	774	22	15	3/3



6x

a83

6x

b32

2x

c310

cm

D

3/3

18x

e1

12x

f1

1x

f35

4x

k27

50x

l1

2x

n1

1x

n14/2

1x

p17

16x

p51

4x

p87

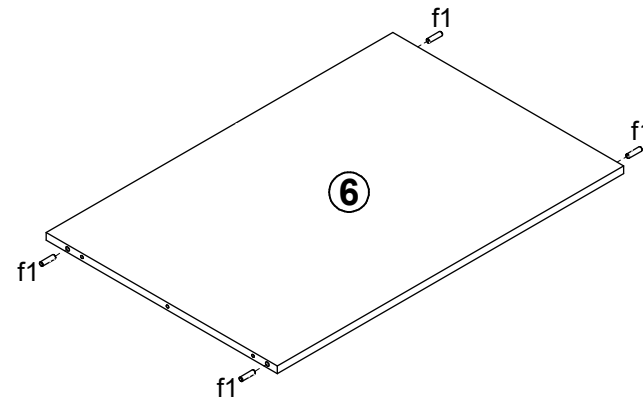
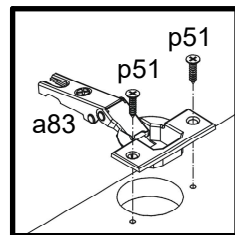
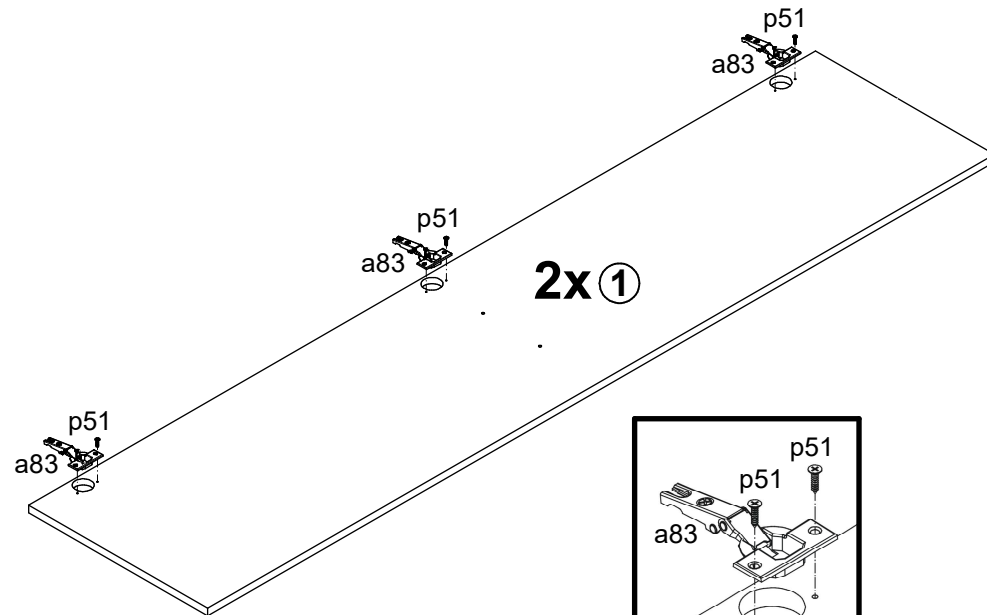
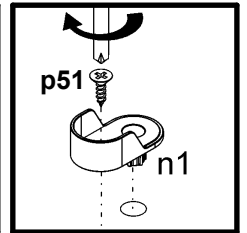
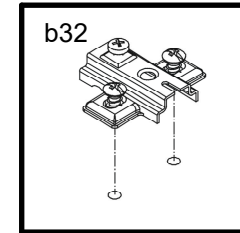
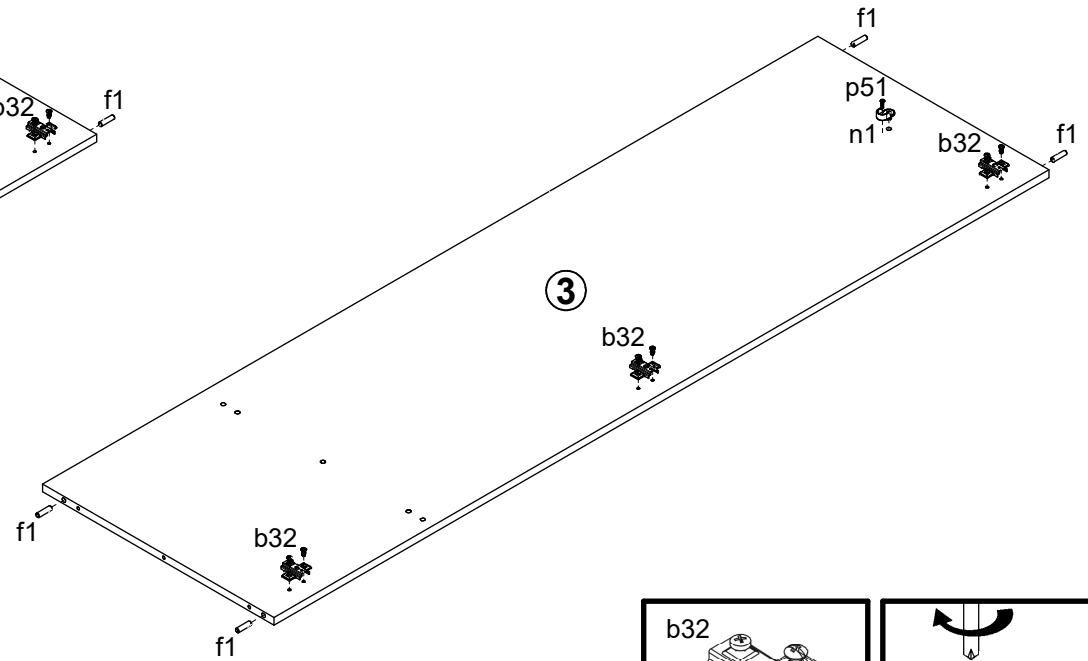
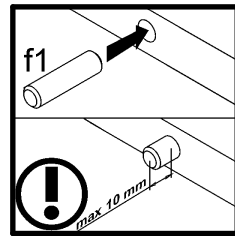
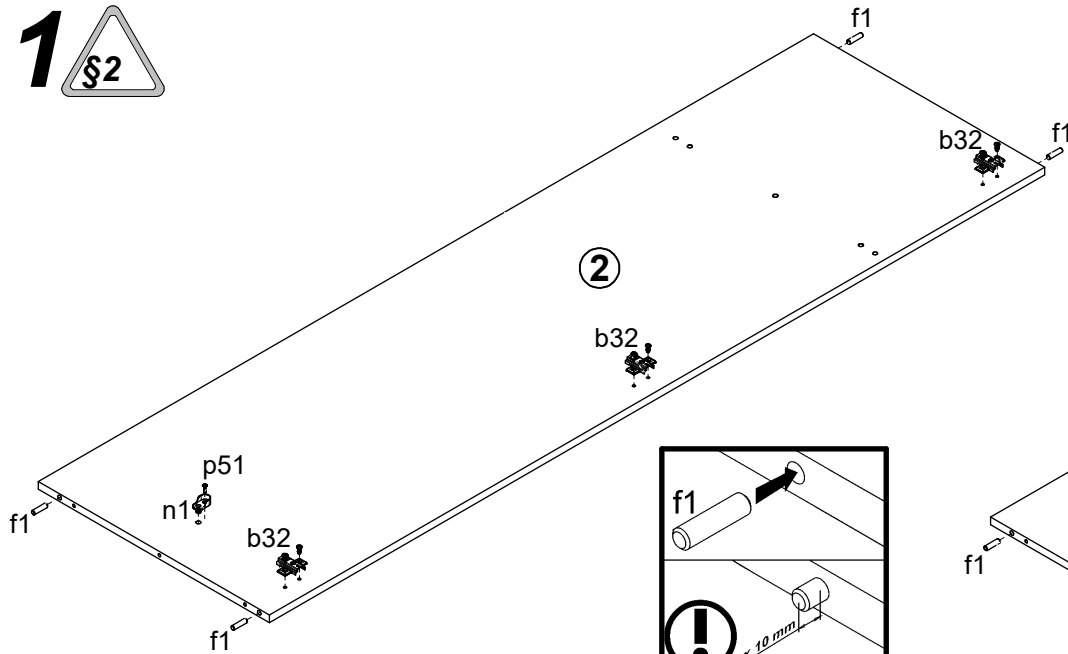
12x

s1

1x

z1

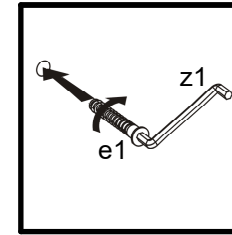
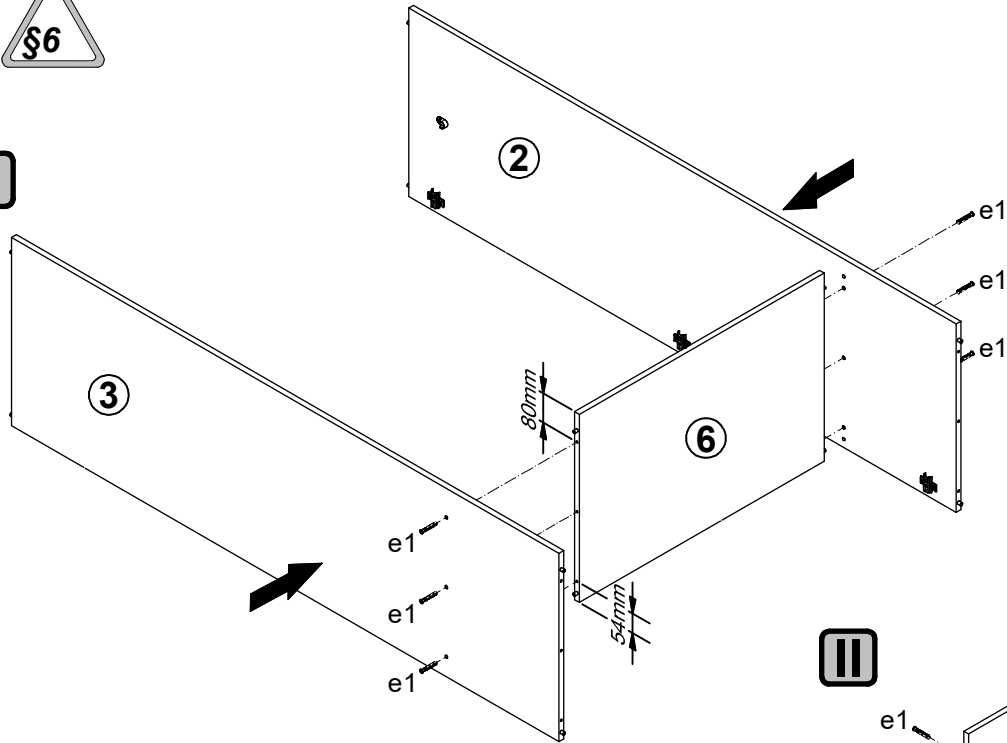
1 



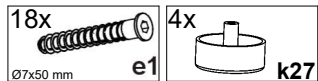
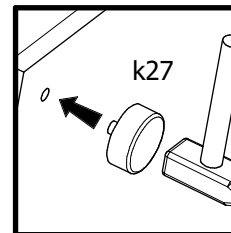
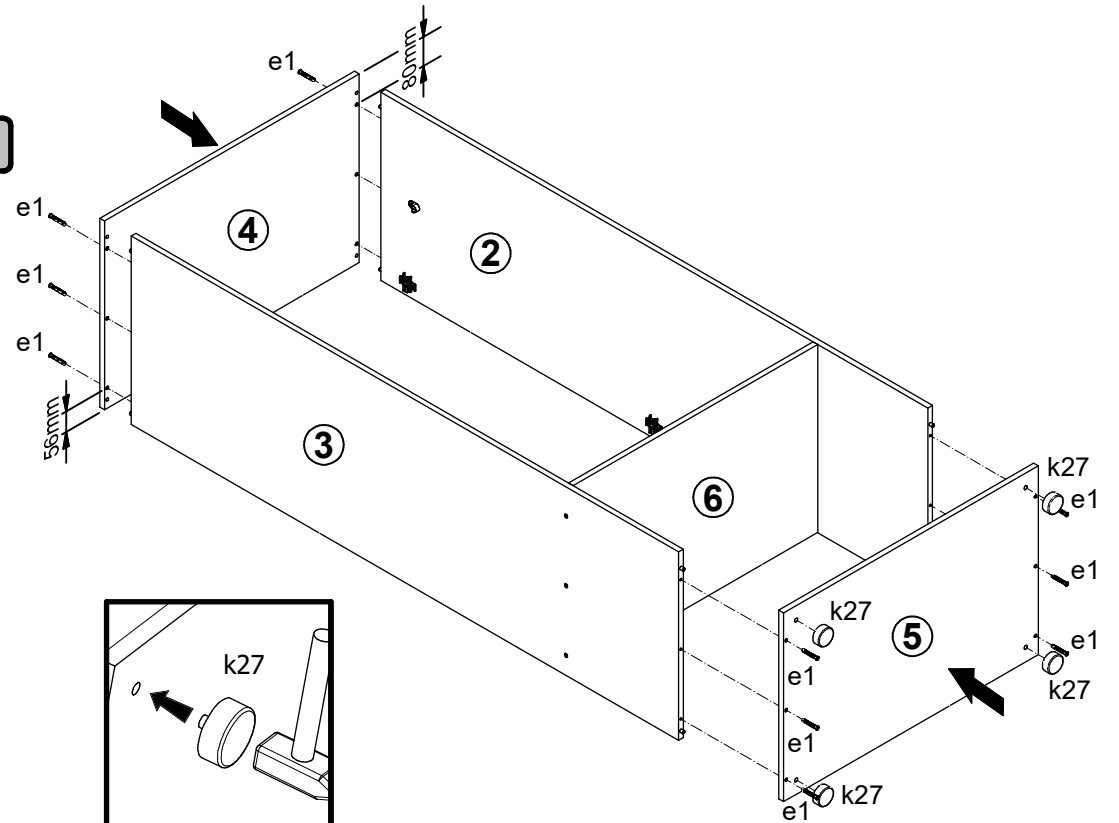
12x Ø8x30 mm f1	2x h=22mm n1	6x K0: 435 a83	6x D7 b32
			14x Ø3,5x15 mm p51

2 

I

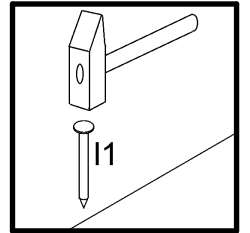
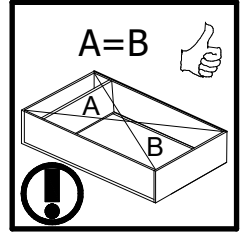
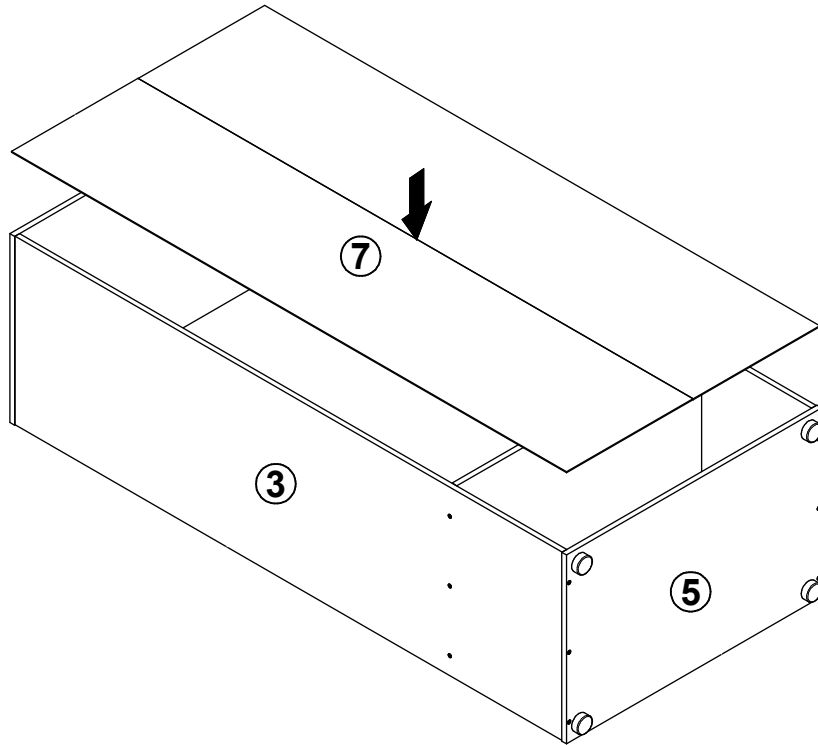


III

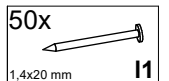
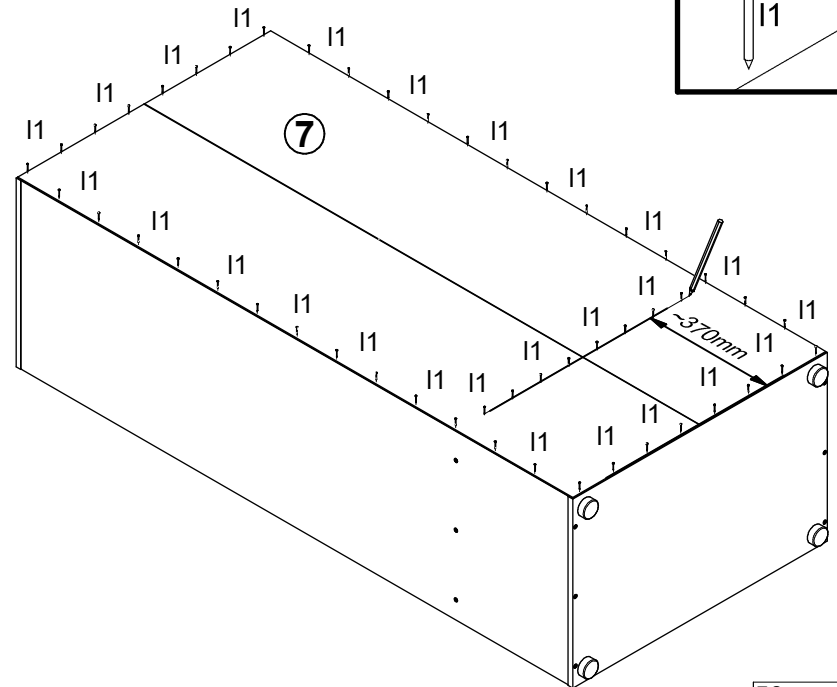


3 

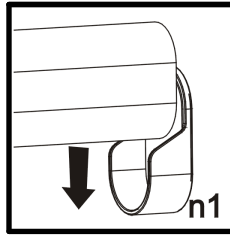
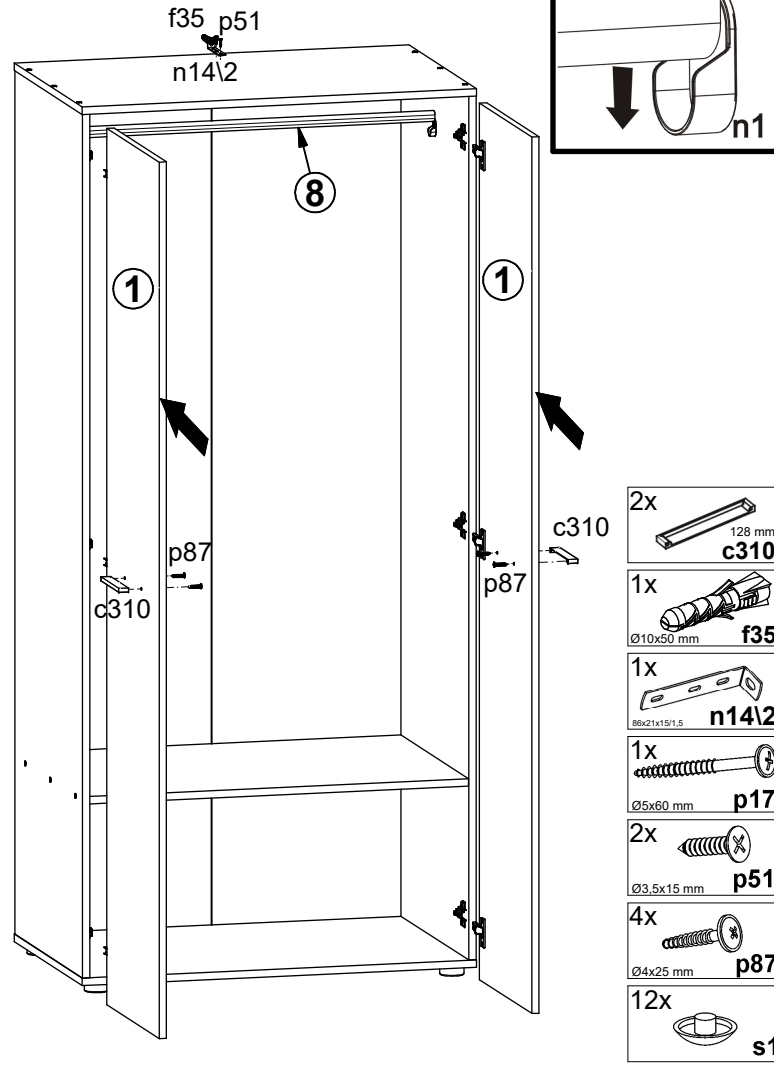
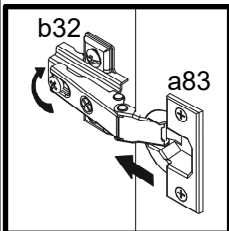
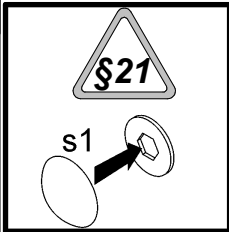
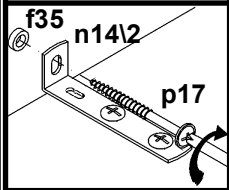
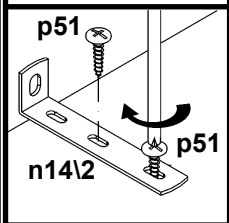
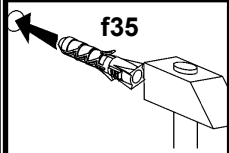
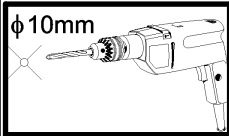
I



II



4 §6



5

