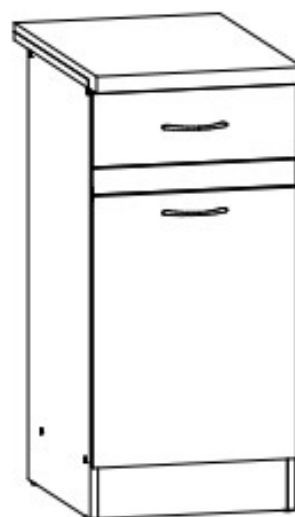
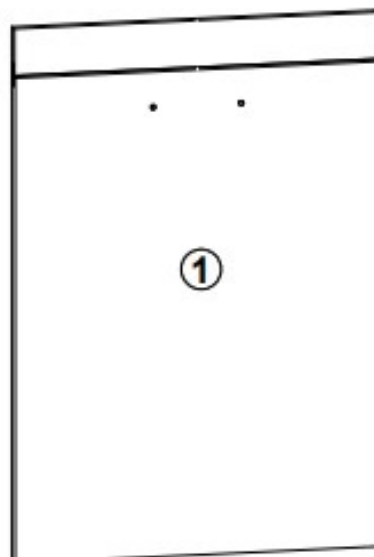
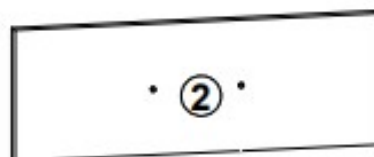
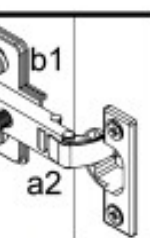
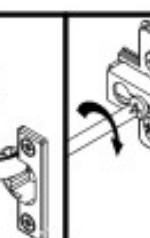
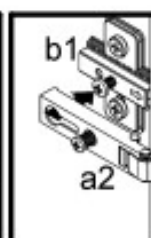
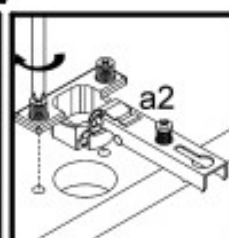
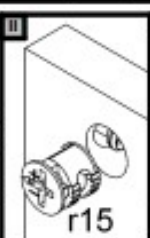
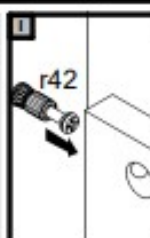
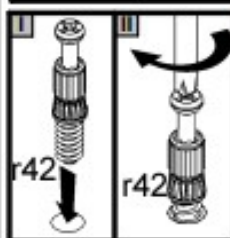
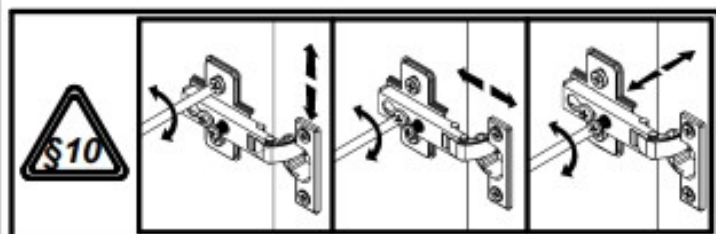
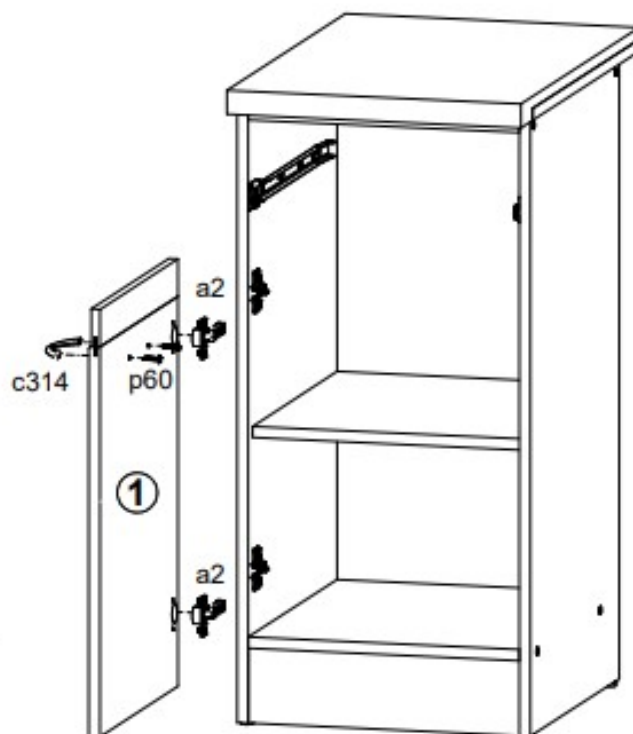
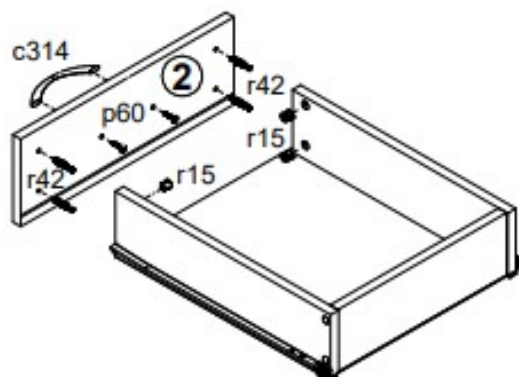


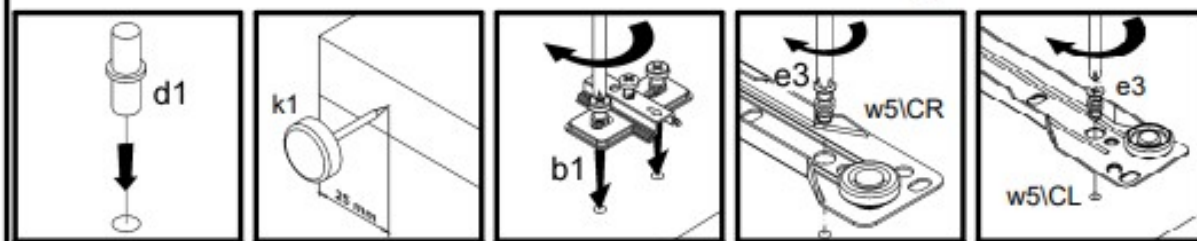
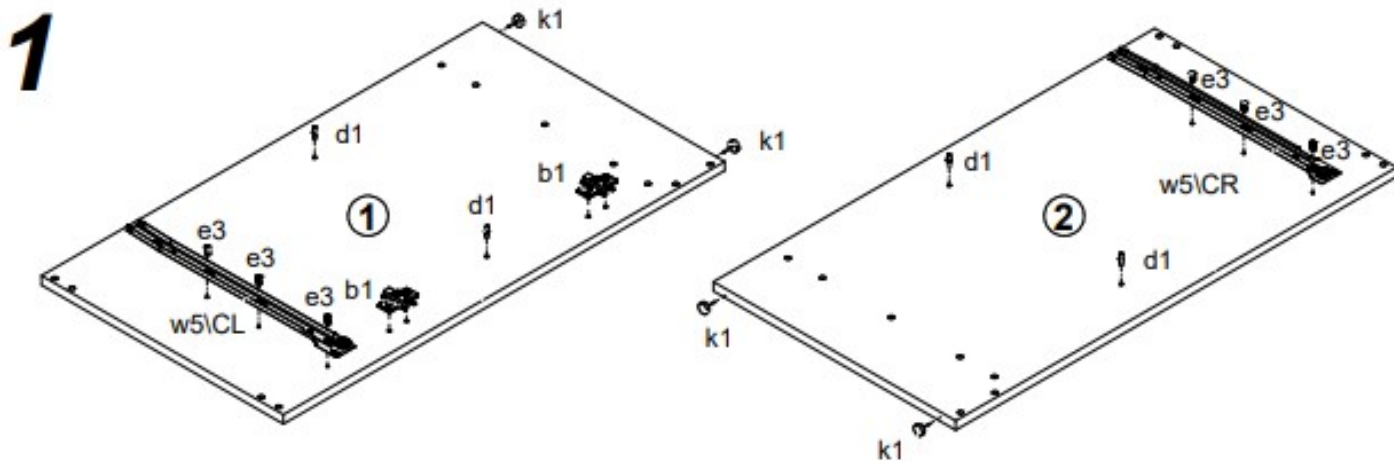
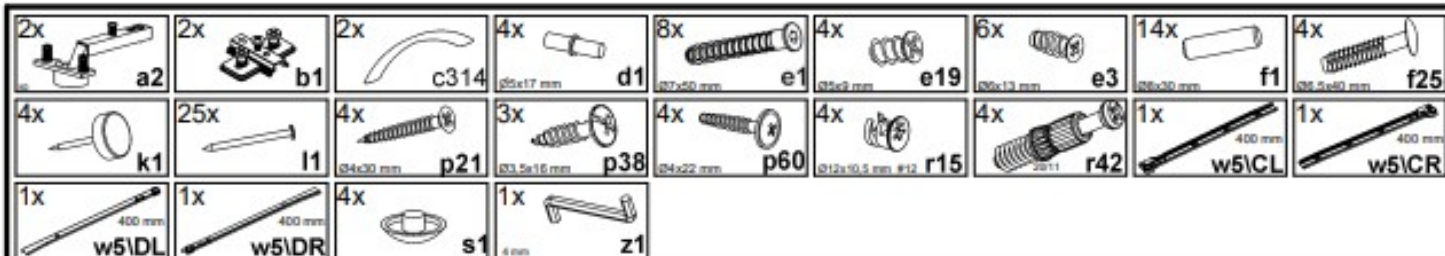
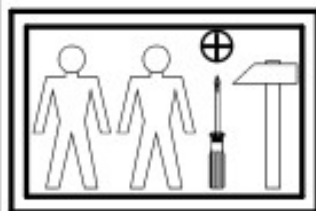
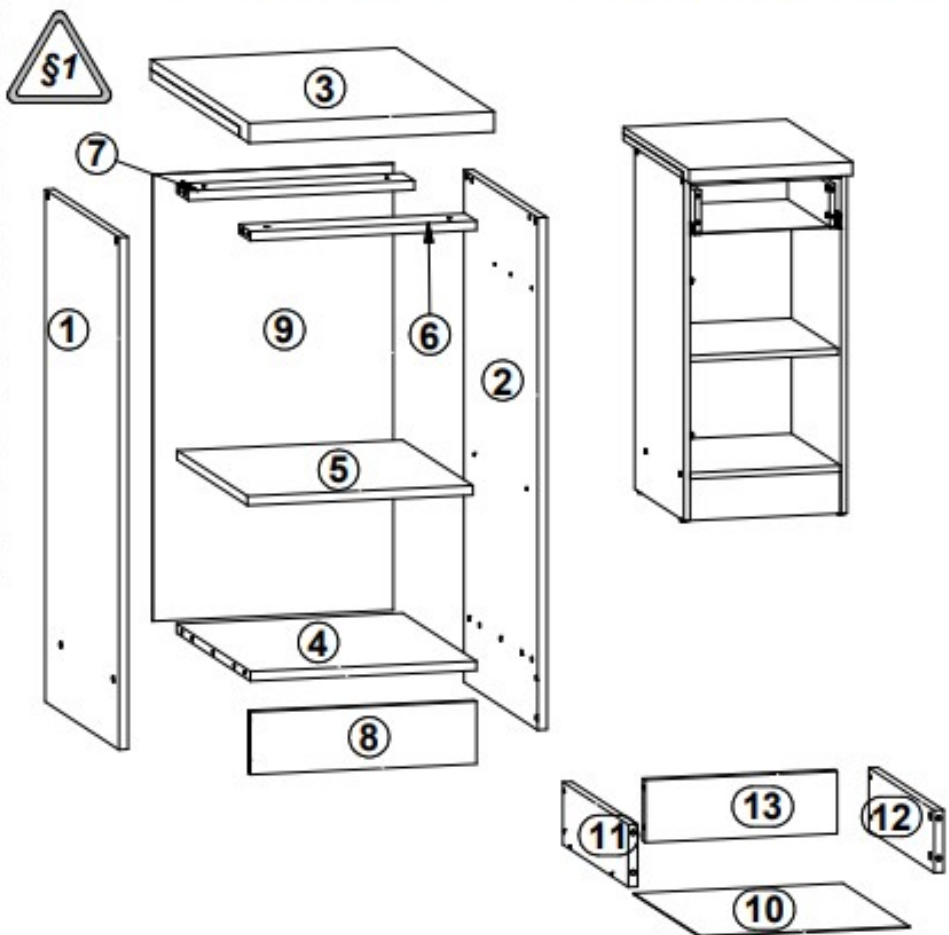
A	B	C	D
1	K22-024	396	570 3/3
2	K22-032	396	140 3/3



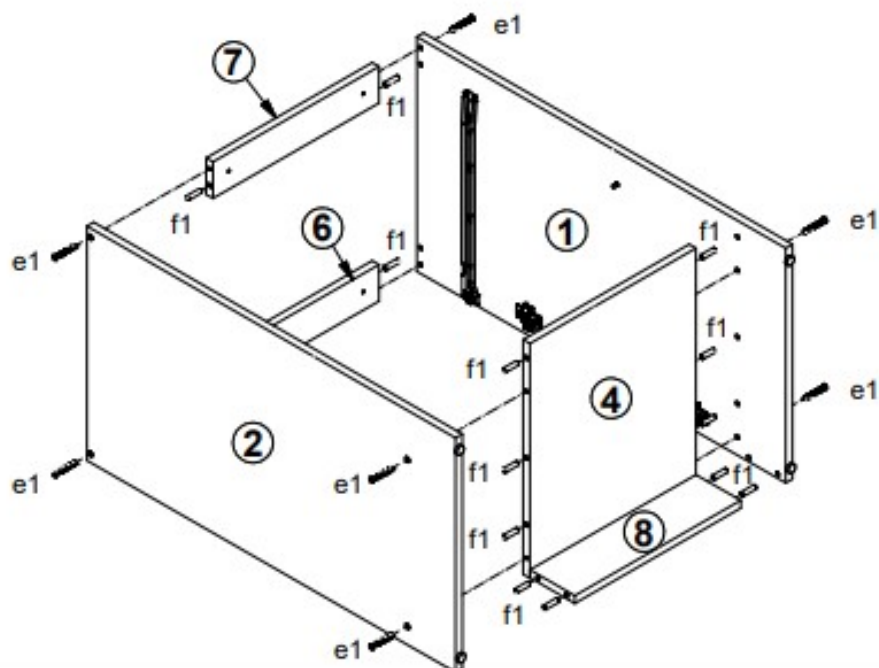
1



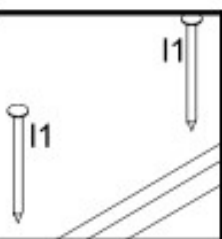
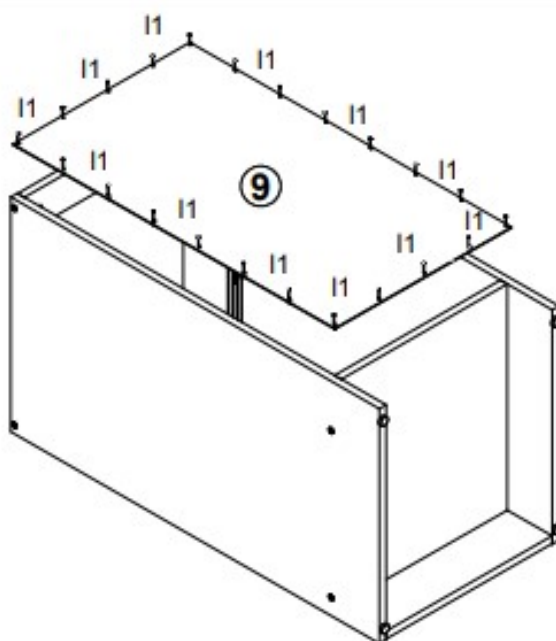
A	B	C	D
Moduł A , A + A1			
1	K22-103	820	450 1/3
2	K22-104	820	450 1/3
4	K22-307	369	450 1/3
5	K22-308	368	430 1/3
6	K22-411	369	70 2/3
7	K22-412	369	70 2/3
8	K22-413	369	100 2/3
9	K22-906	715	393 1/3
10	K22-922	406	342 1/3
11	K24-501	400	100 2/3
12	K24-502	400	100 2/3
13	ZS3-5527	314	100 2/3
Moduł A + A1			
3	K22-203	400	600 1/3



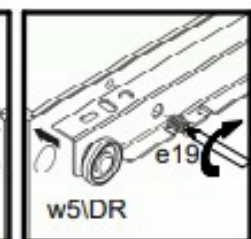
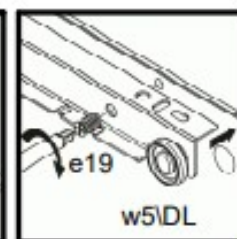
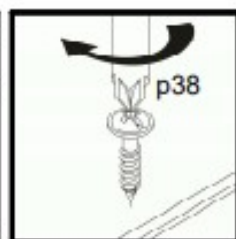
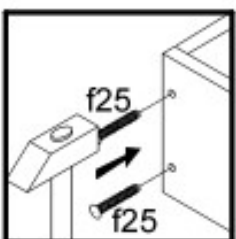
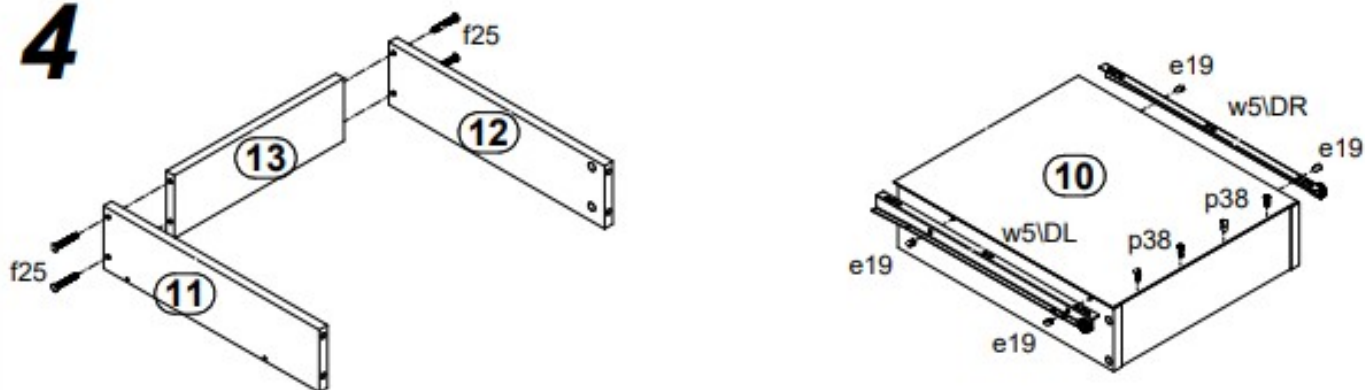
2



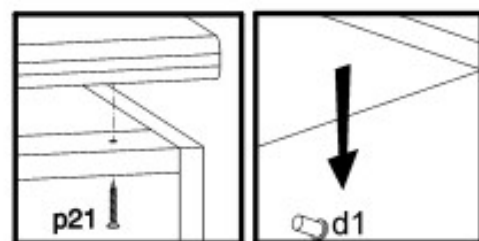
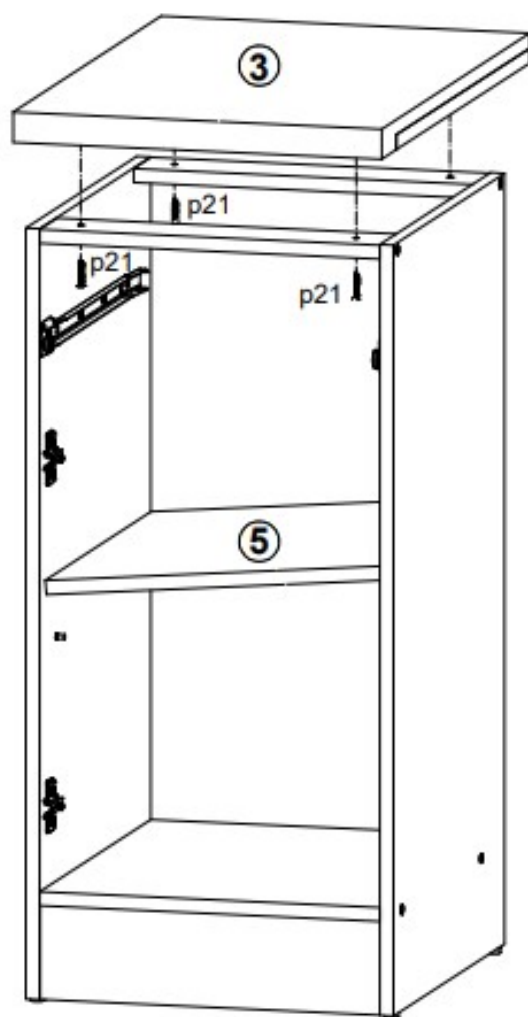
3



4



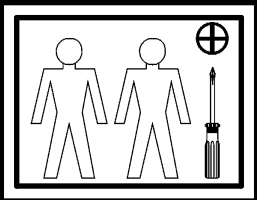
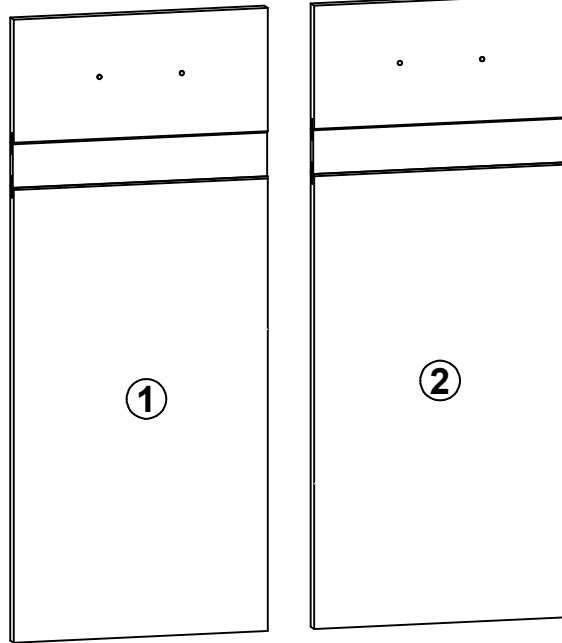
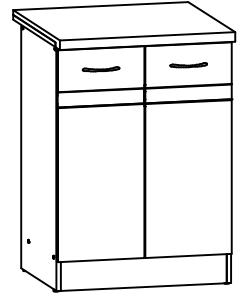
5



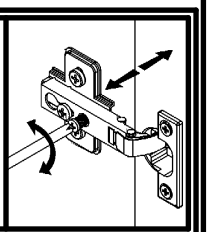
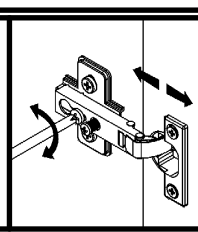
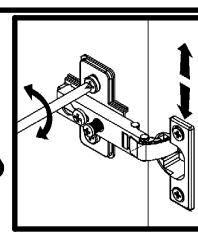
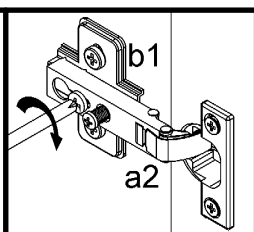
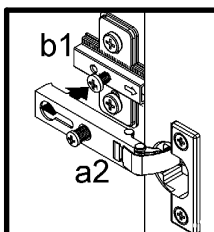
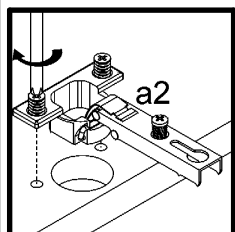
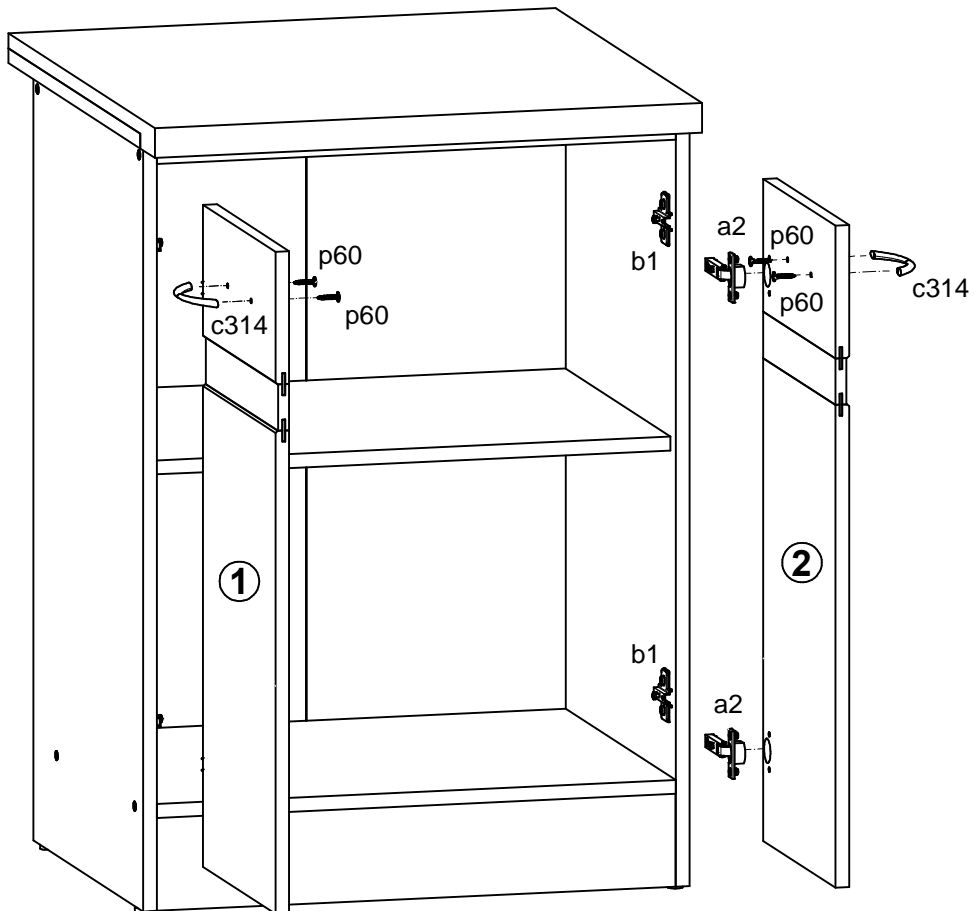
Junona Line

K22-D2D/60/82

A	B	C	D
1	K22-026	296	713 3/3
2	K22-027	296	713 3/3



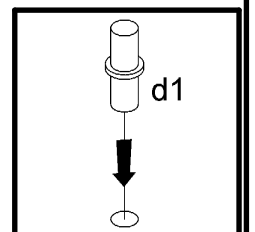
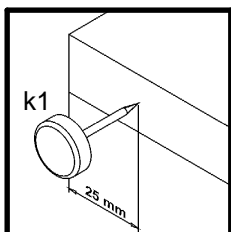
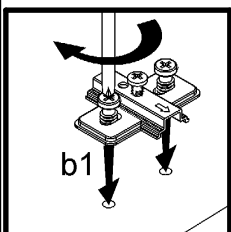
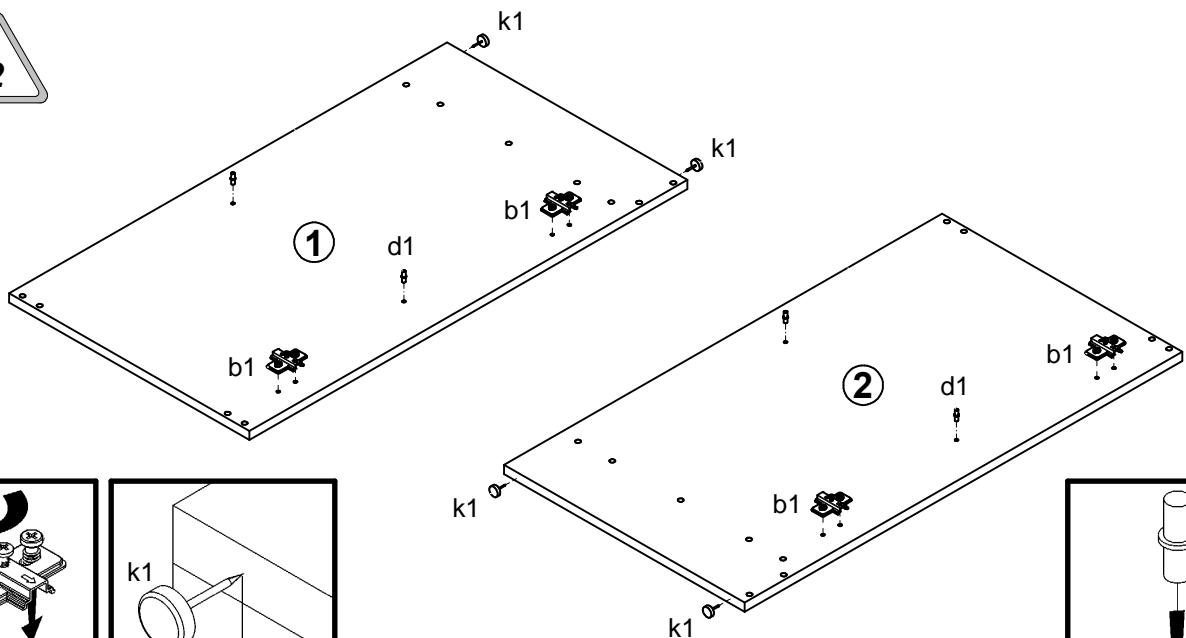
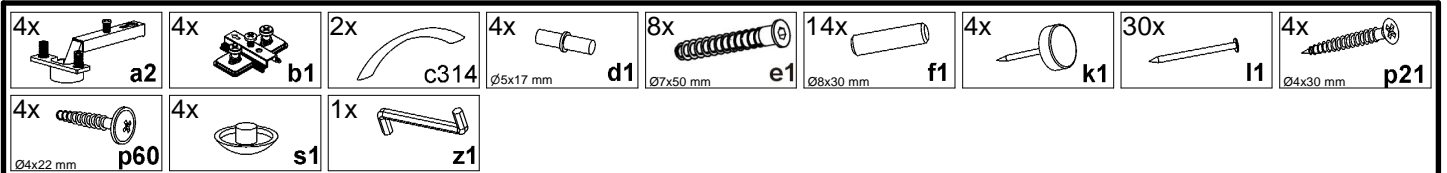
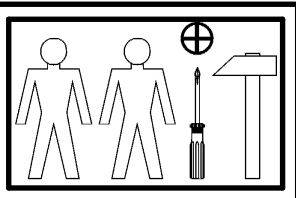
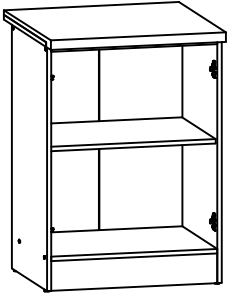
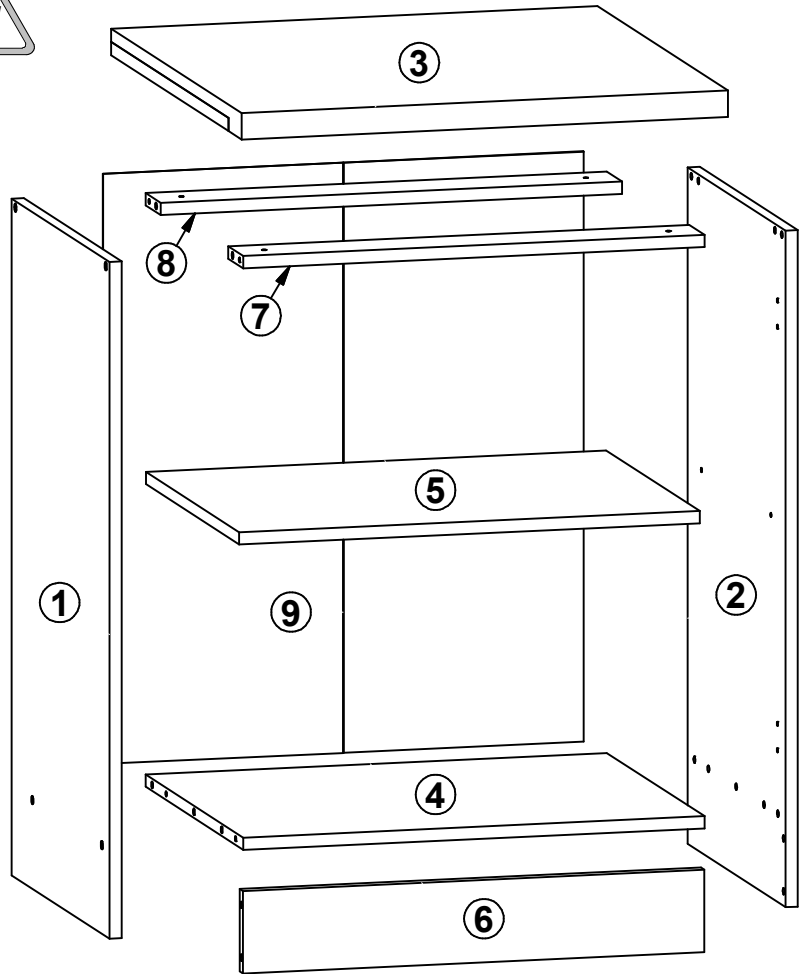
1



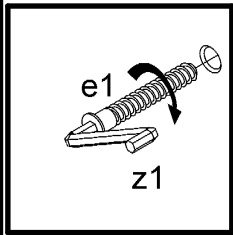
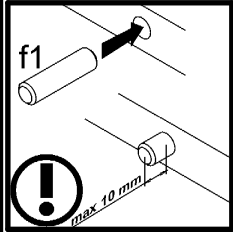
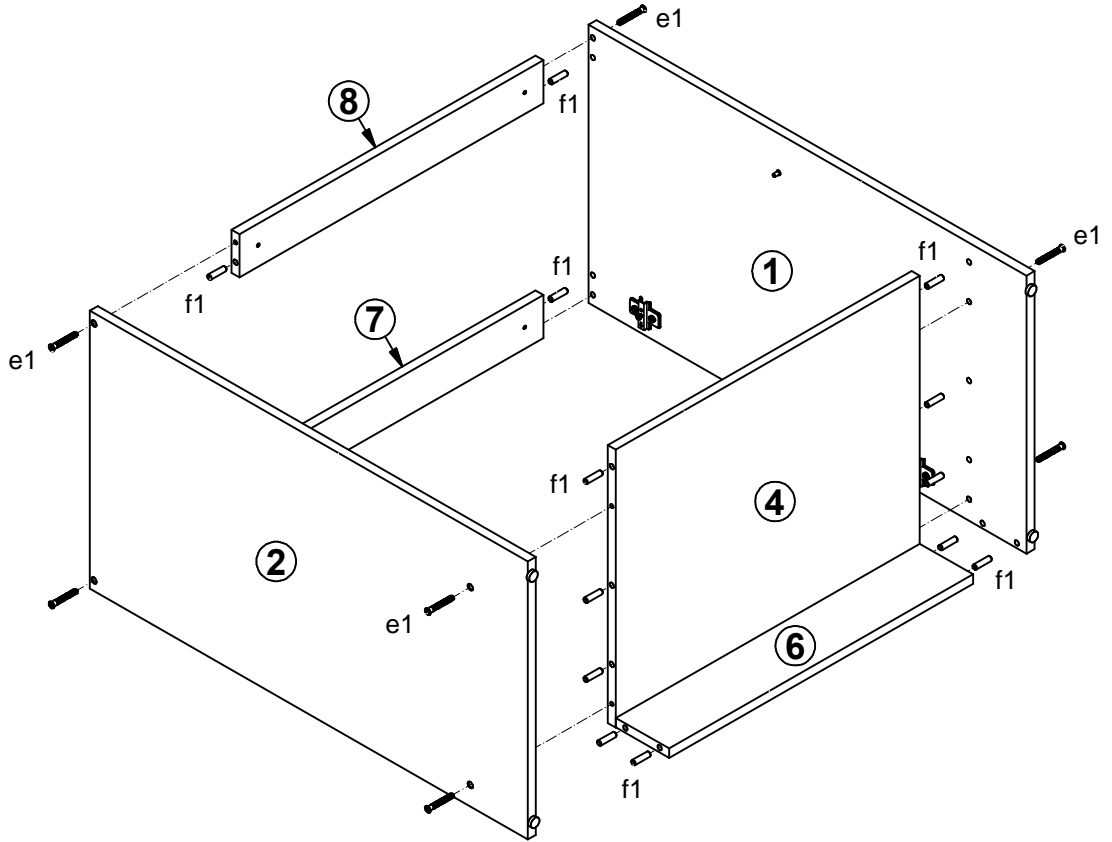
Junona Line

K22-D2D/60/82

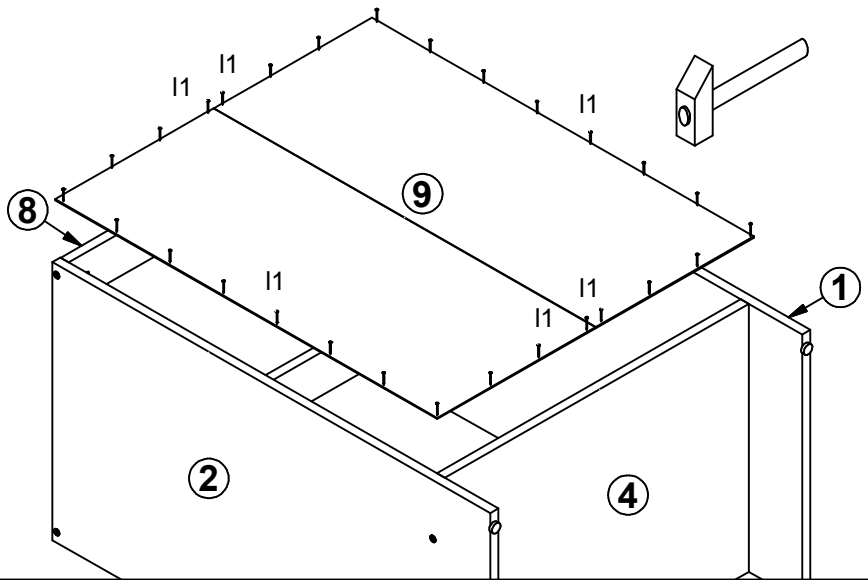
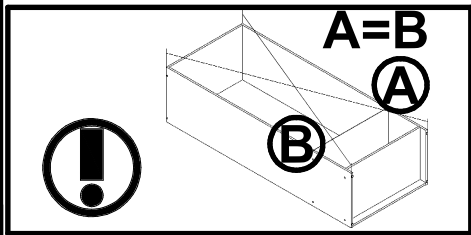
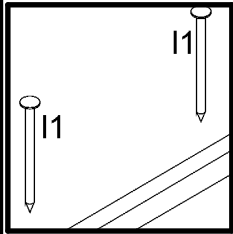
A	B	C	D	
1	K22-107	820	450	1/3
2	K22-108	820	450	1/3
3	K22-206	600	600	2/3
4	K22-341	569	450	1/3
5	K22-342	568	430	1/3
6	K22-423	569	100	1/3
7	K22-424	569	70	1/3
8	K22-425	569	70	1/3
9	K22-926	715	593	1/3



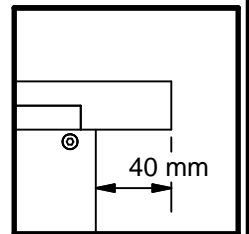
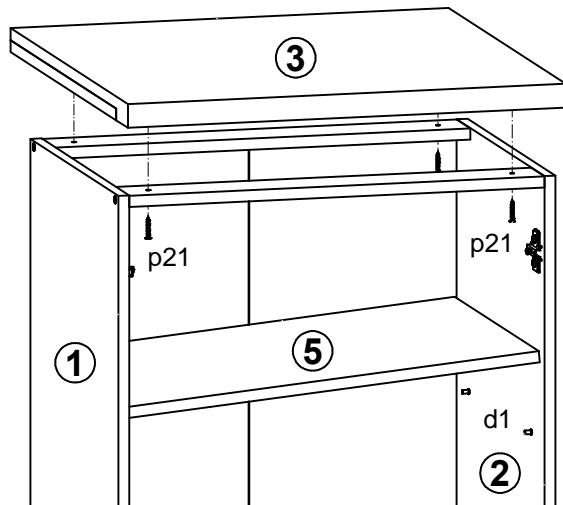
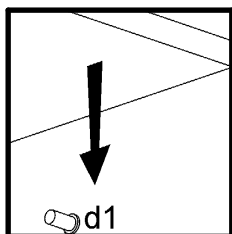
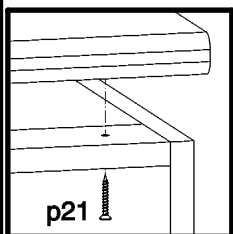
2



3



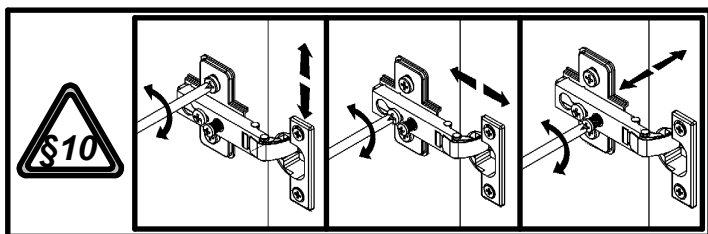
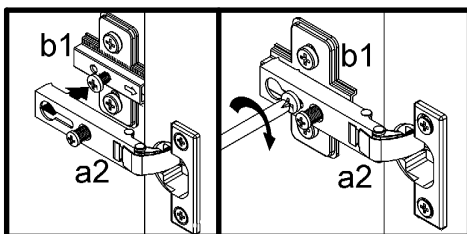
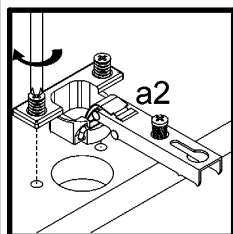
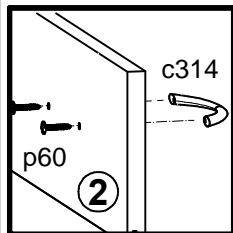
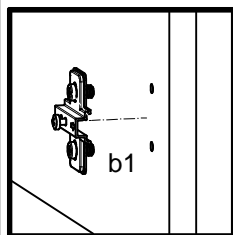
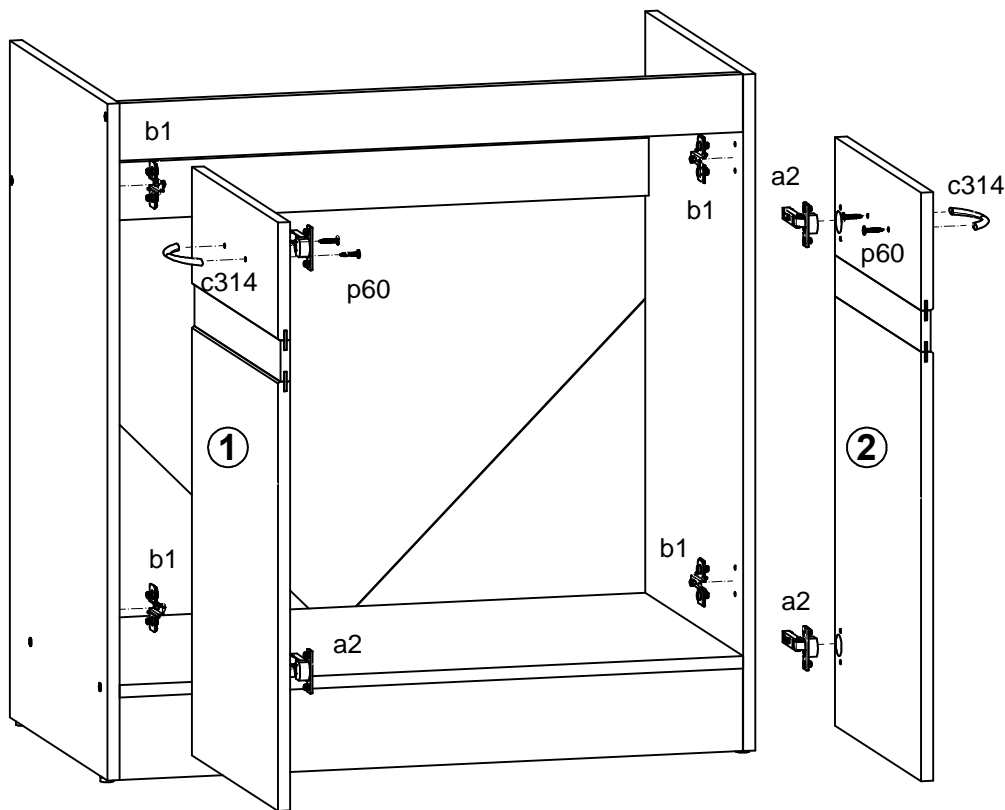
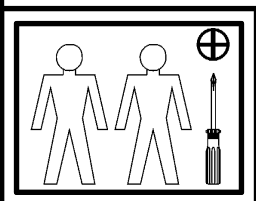
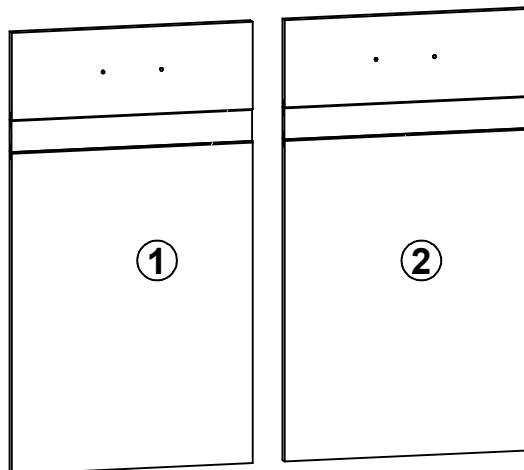
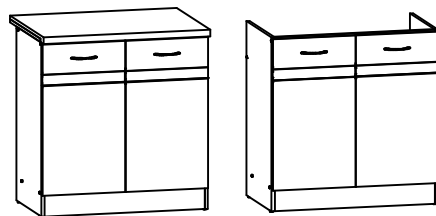
4



Junona Line

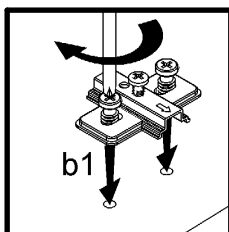
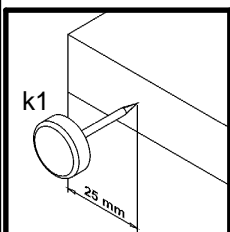
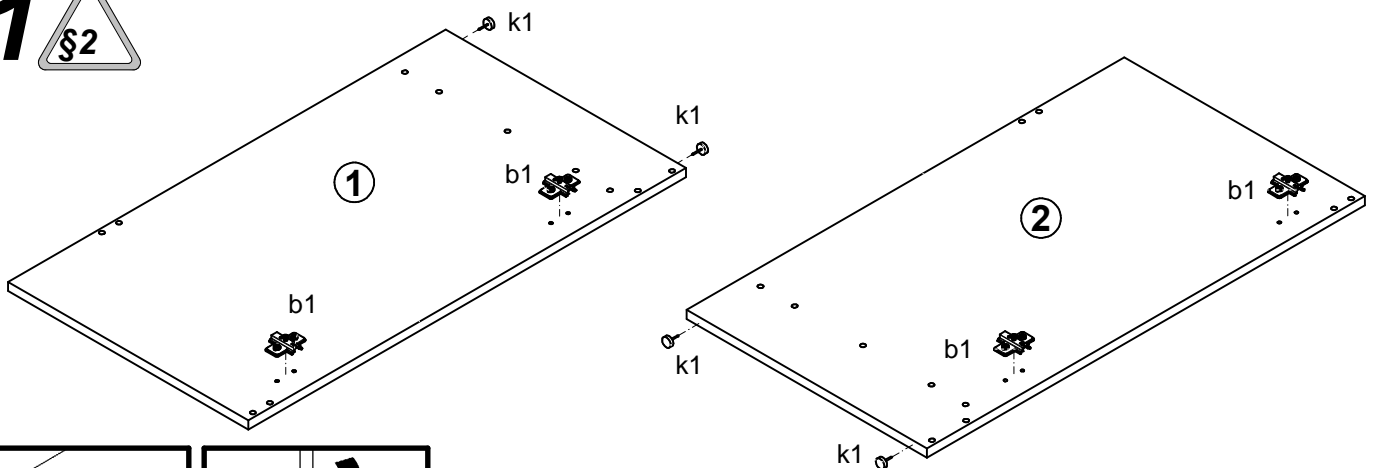
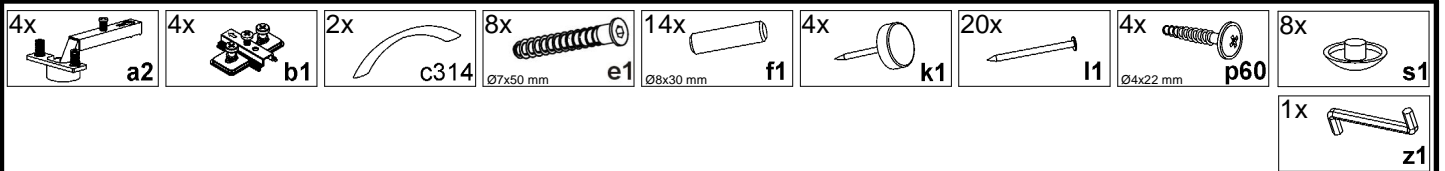
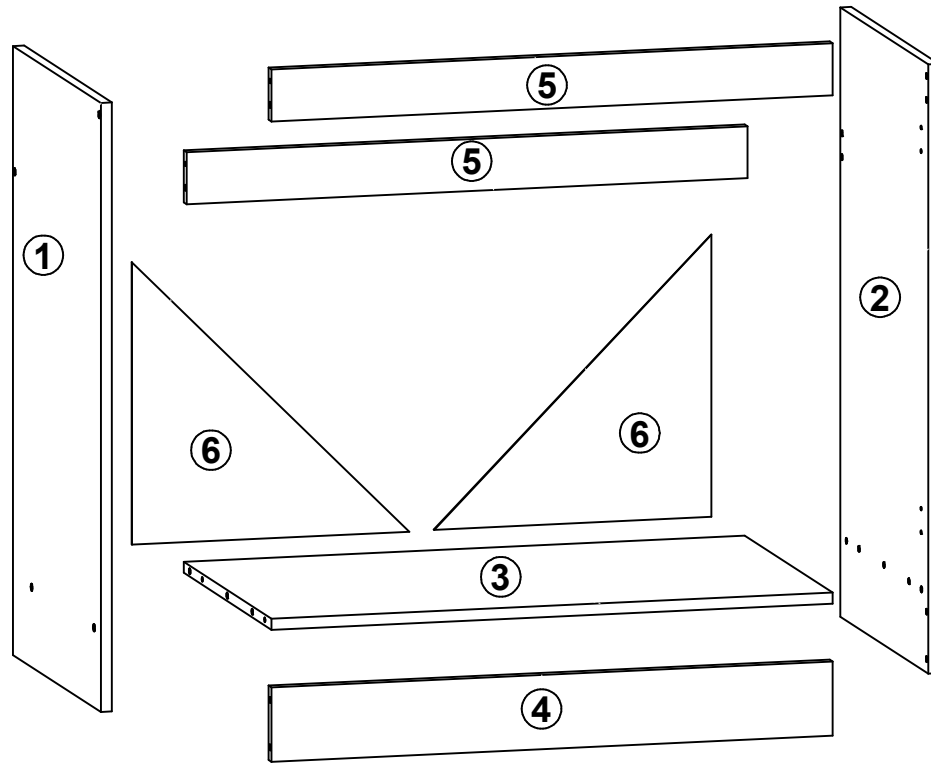
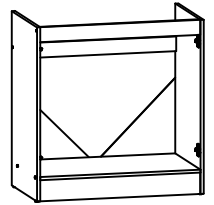
K22-DK2D/80/82-frn K22-D2D/80/82-frn

A	B	C		D
1	K22-020	396	713	2/2
2	K22-021	396	713	2/2

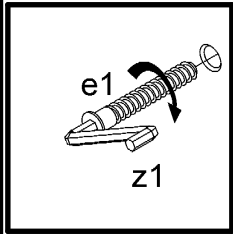
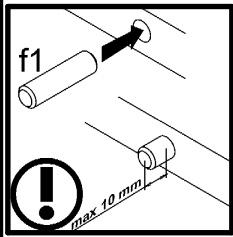
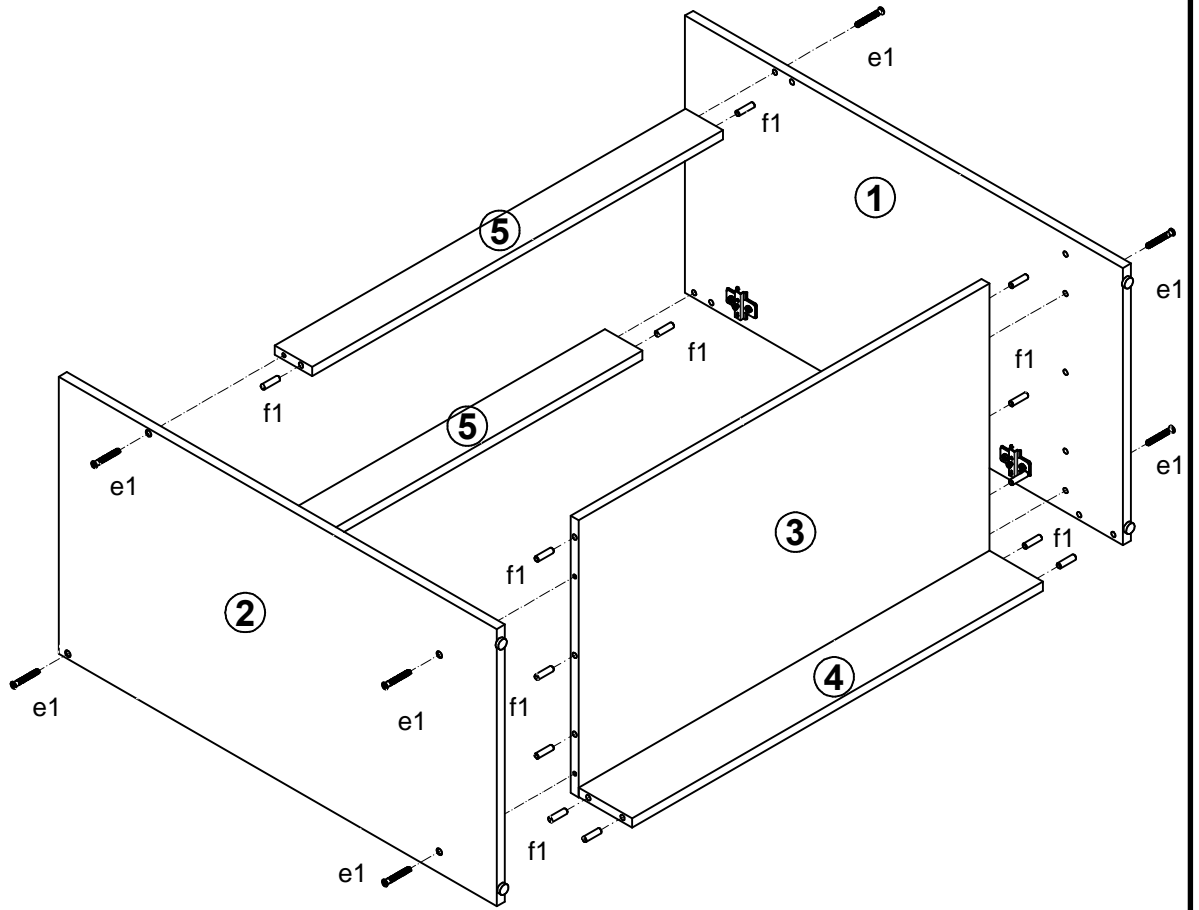


K22-DK2D/80/82

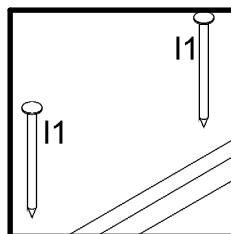
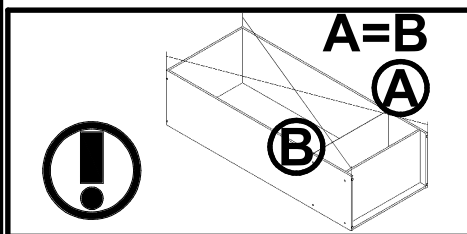
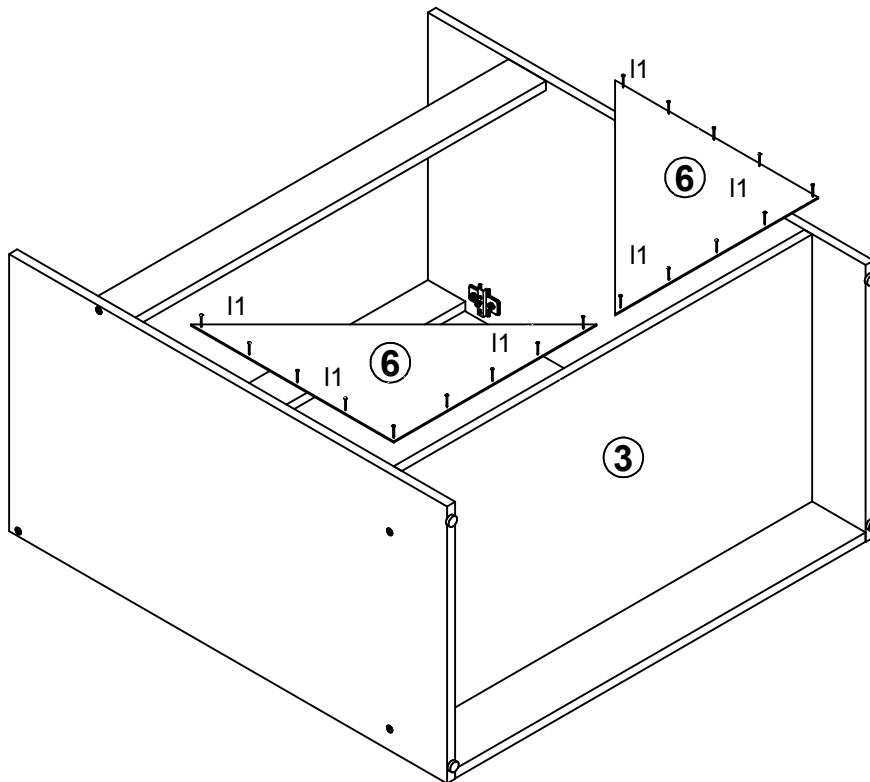
A	B	C	D
1	K22-116	820	450
2	K22-117	820	450
3	K22-327	769	450
4	K22-417	769	100
5	K22-418	769	70
6	K22-918	380	380



2 



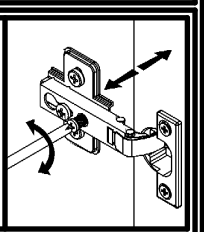
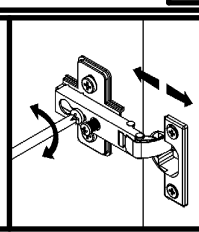
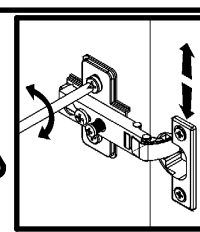
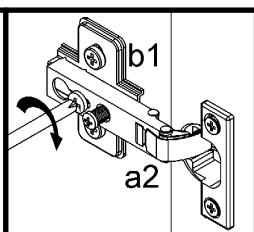
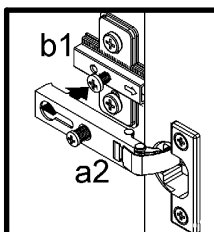
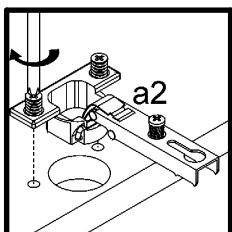
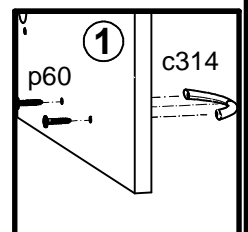
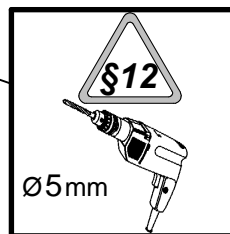
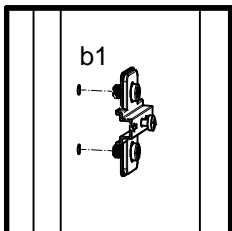
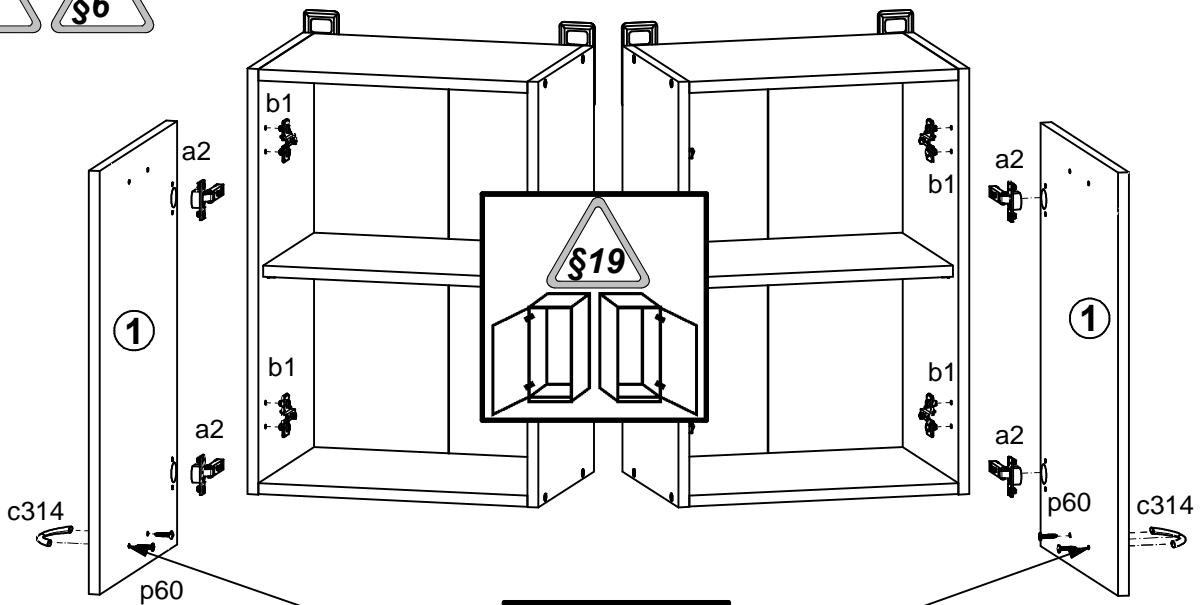
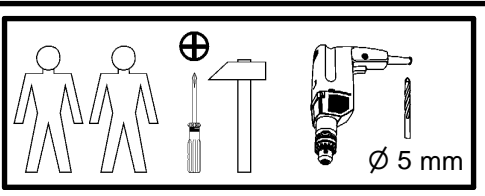
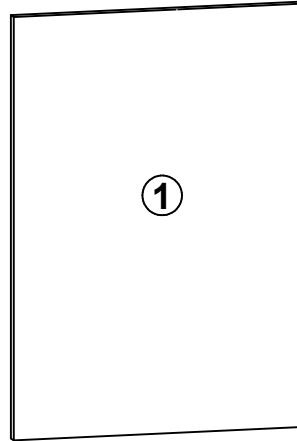
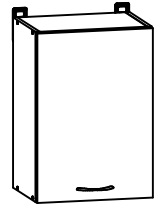
3



Junona Line

K22-G1D/40/57-LP

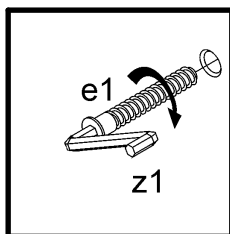
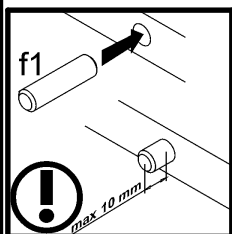
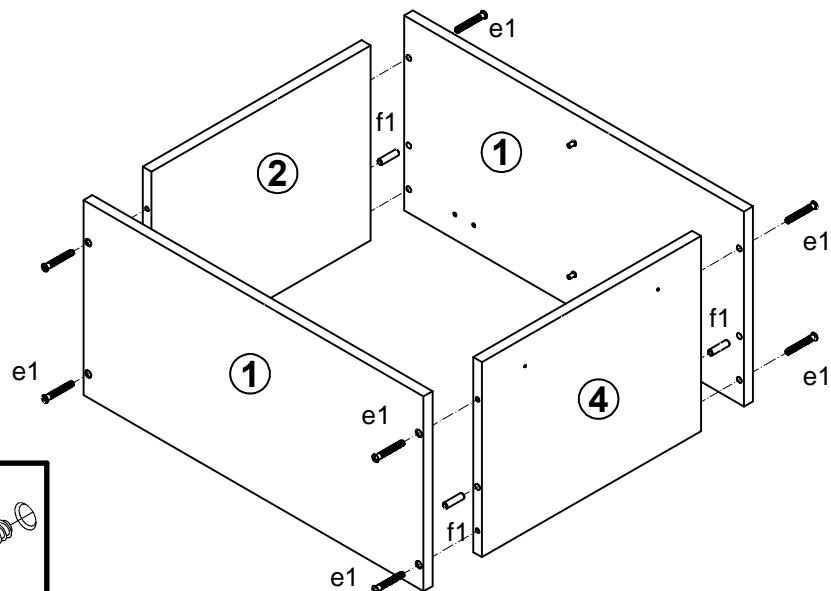
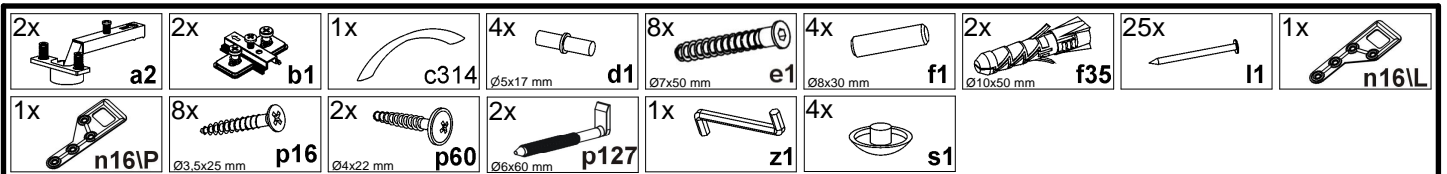
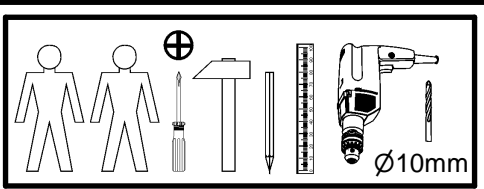
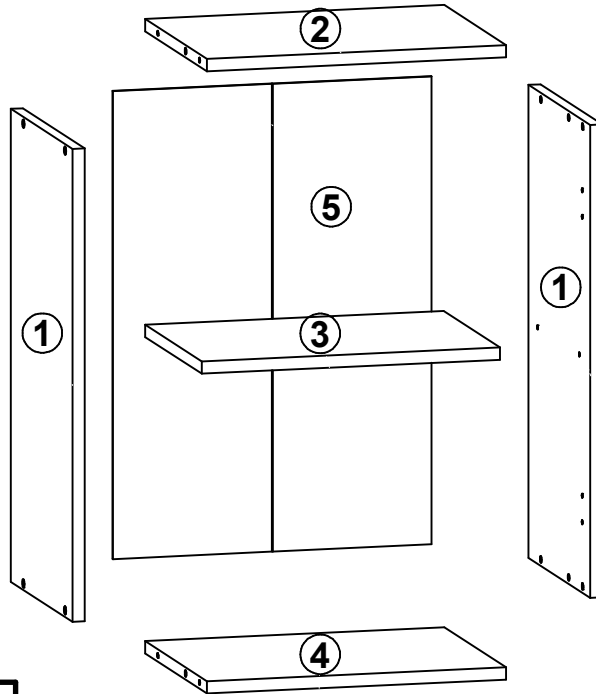
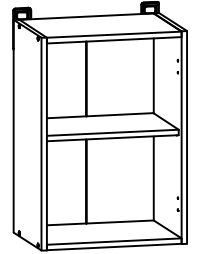
A	B	C	D
1	K22-029	396	570
			2/2



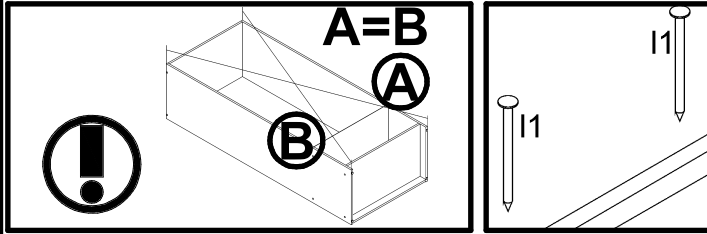
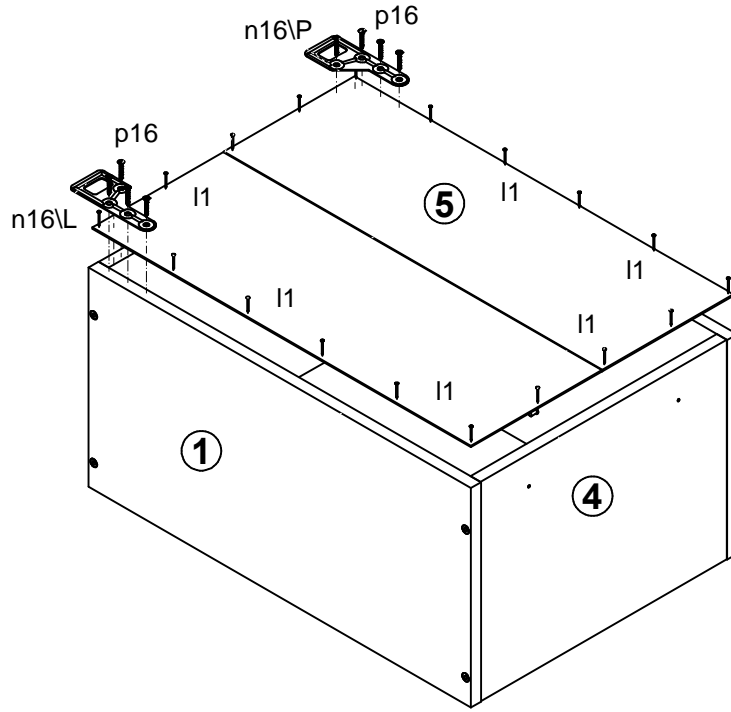
Junona Line

K22-G1D/40/57-LP

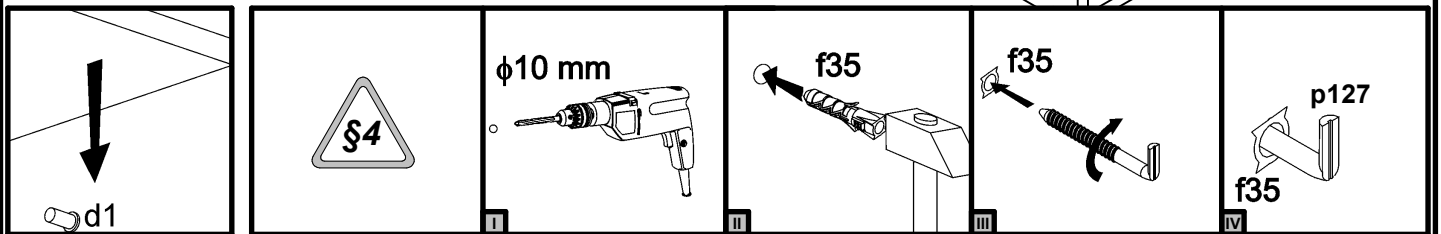
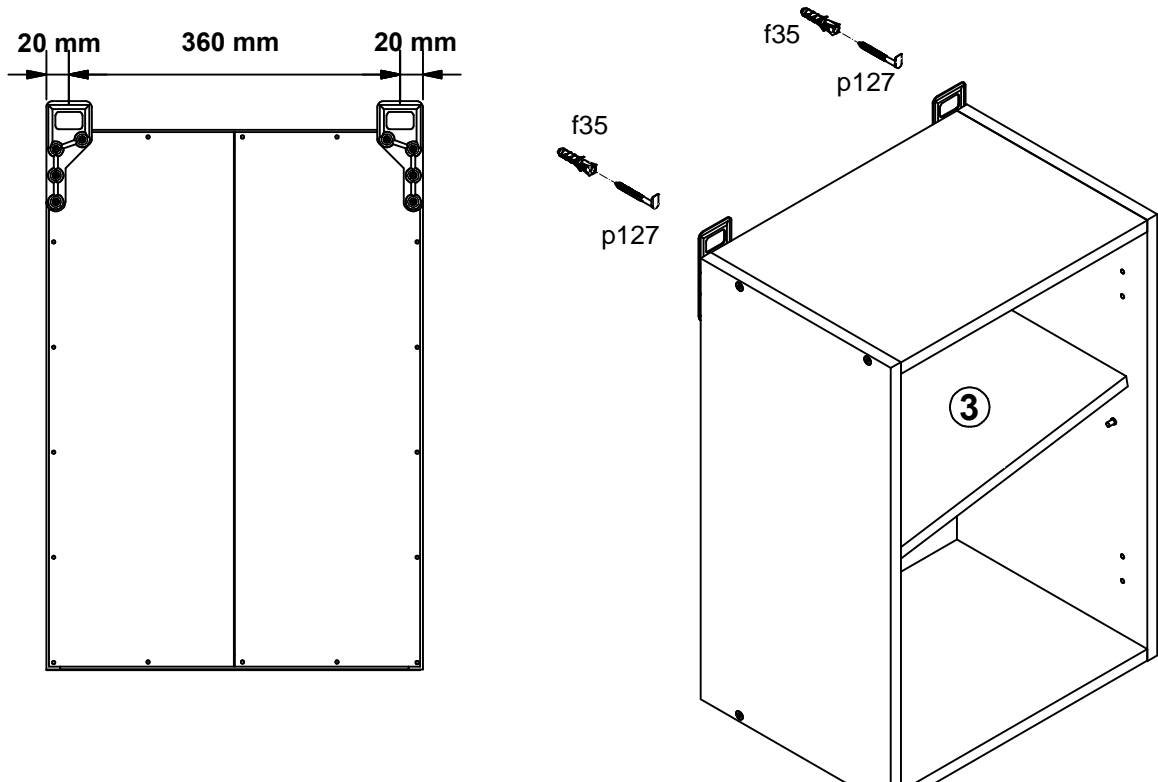
A	B	C	D
1	K22-101	573	285
2	K22-311	369	285
3	K22-312	368	260
4	K22-323	369	285
5	K22-908	567	393



2 §6



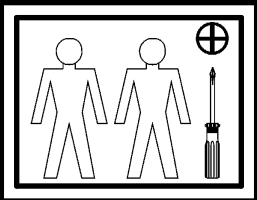
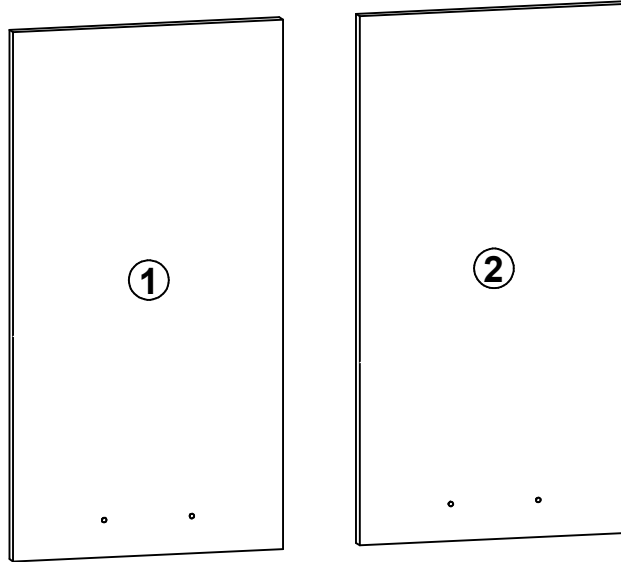
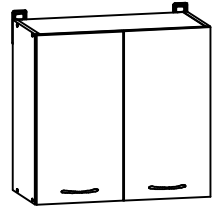
3



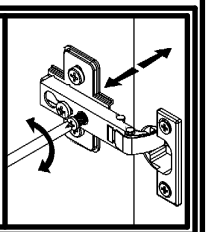
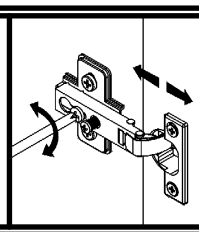
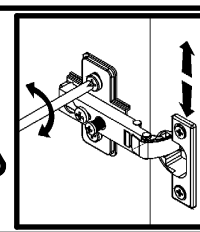
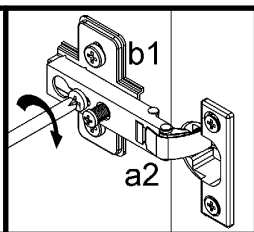
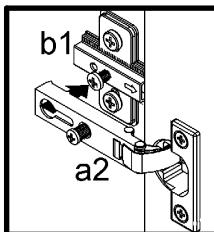
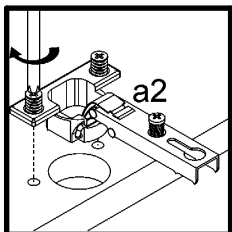
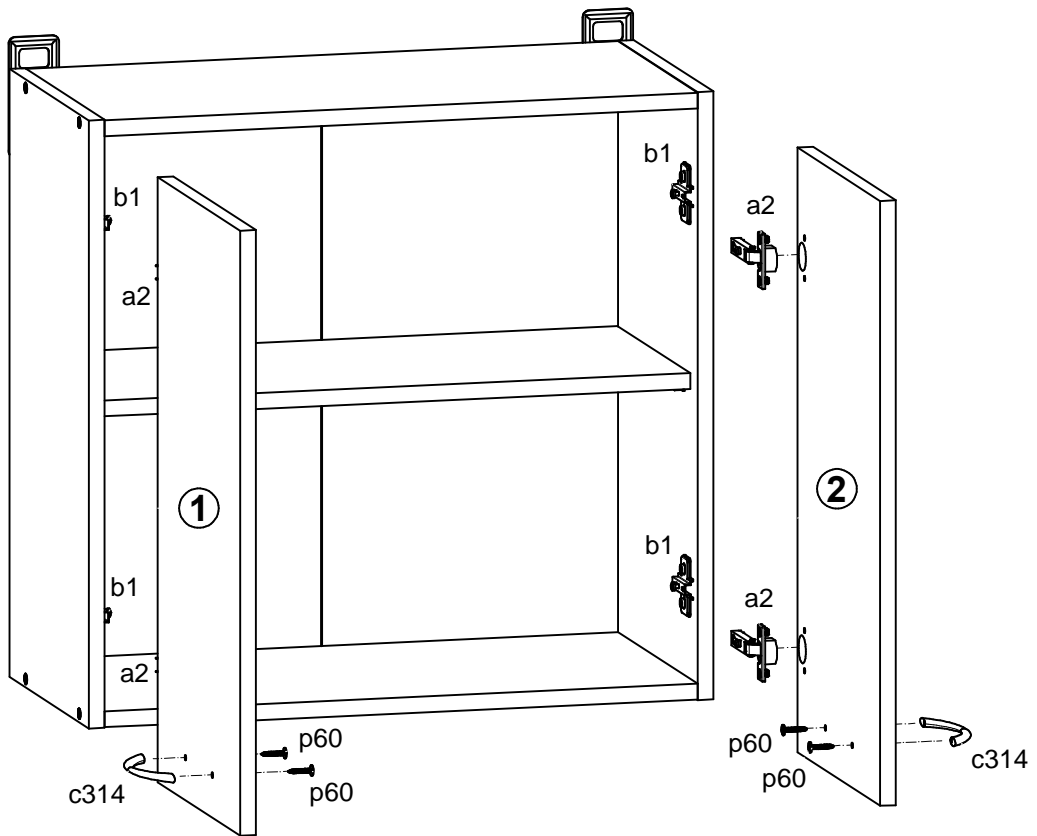
Junona Line

K22-G2D/60/57

A	B	C	D
1	K22-037	296	570
2	K22-038	296	570



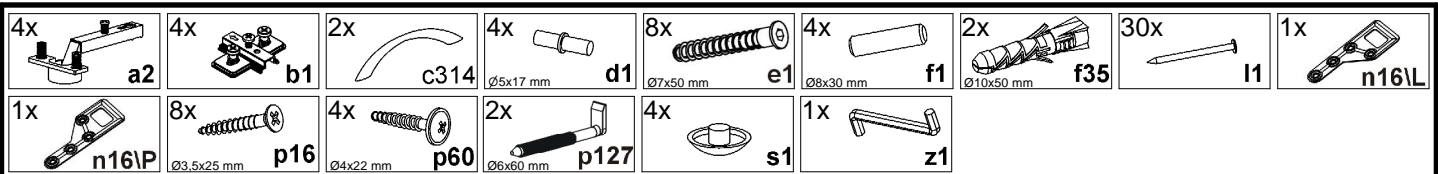
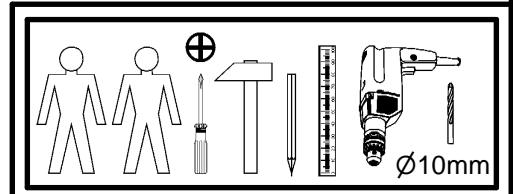
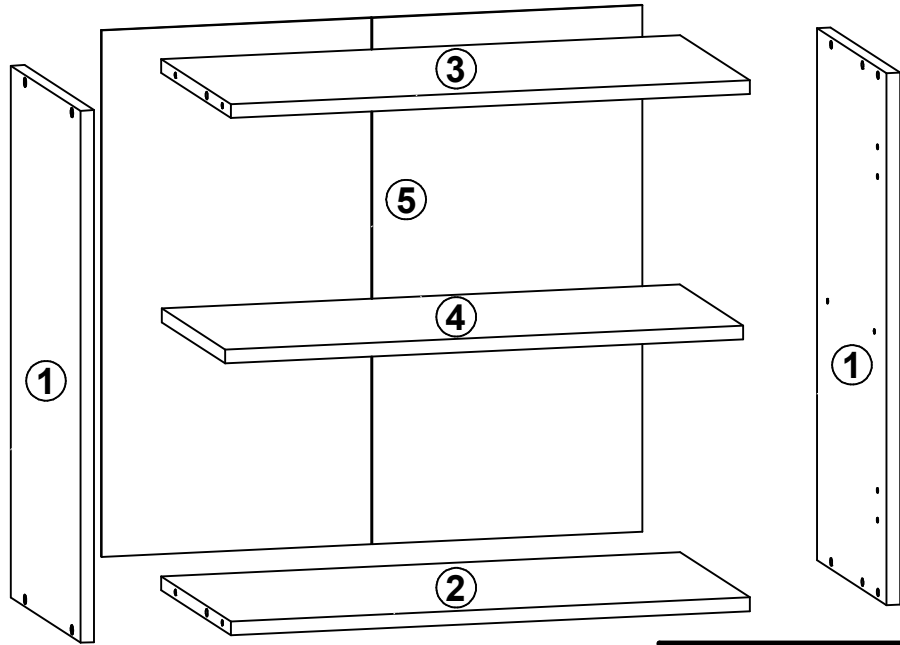
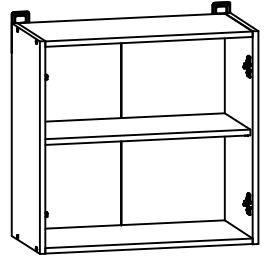
1



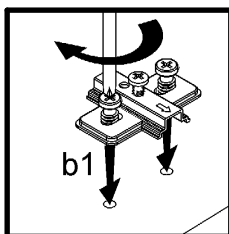
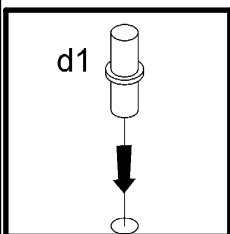
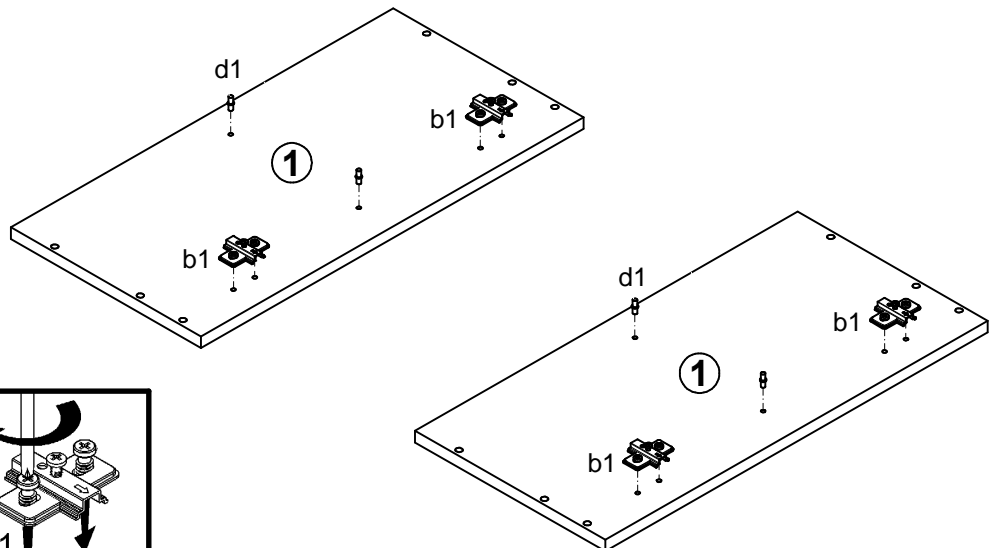
Junona Line

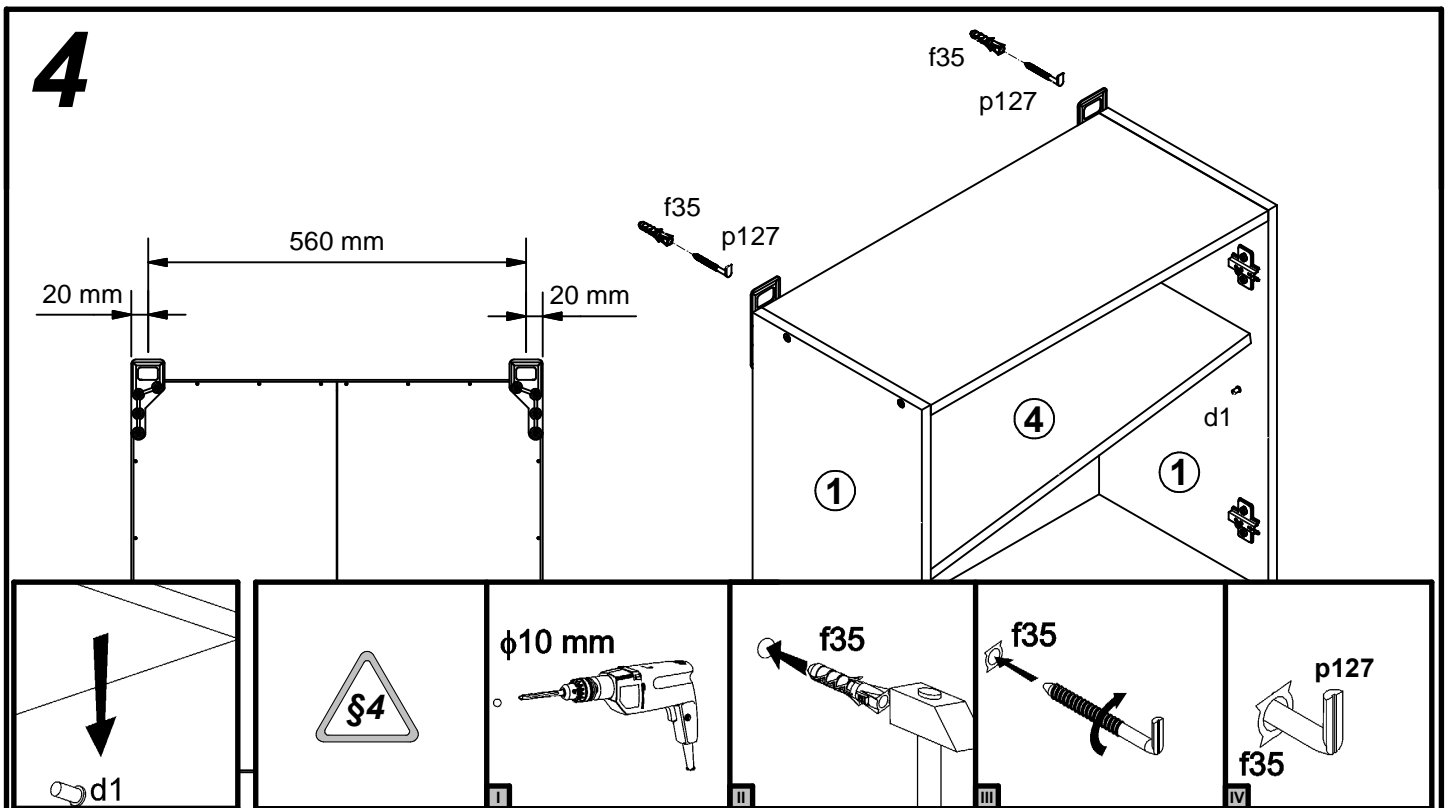
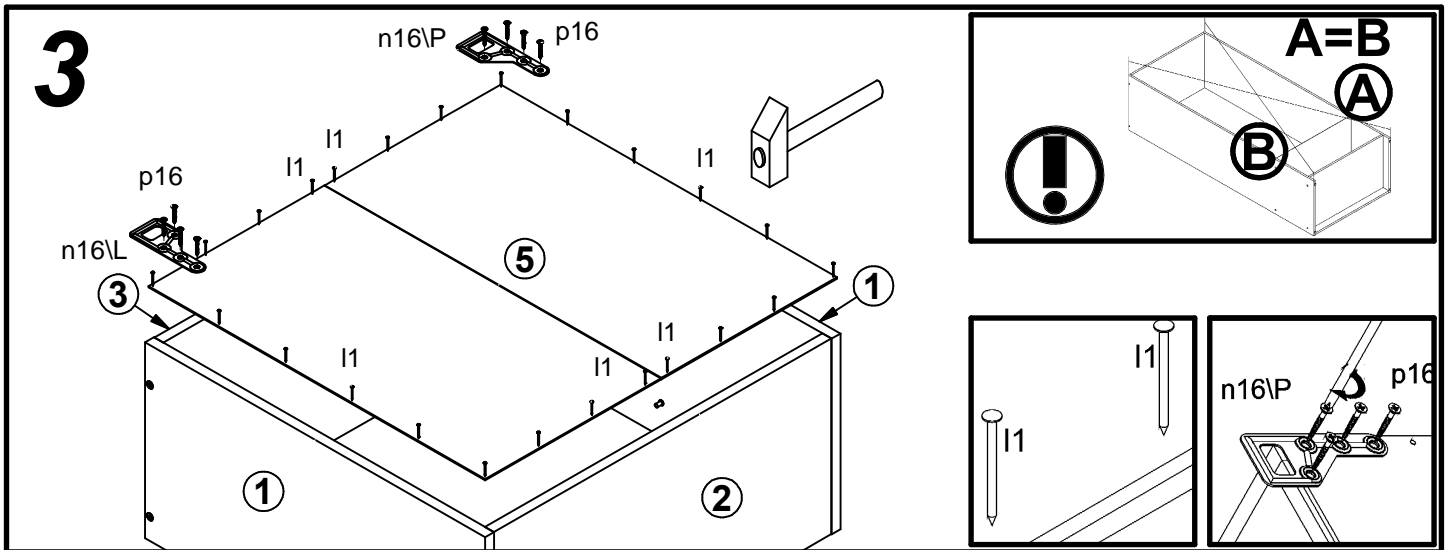
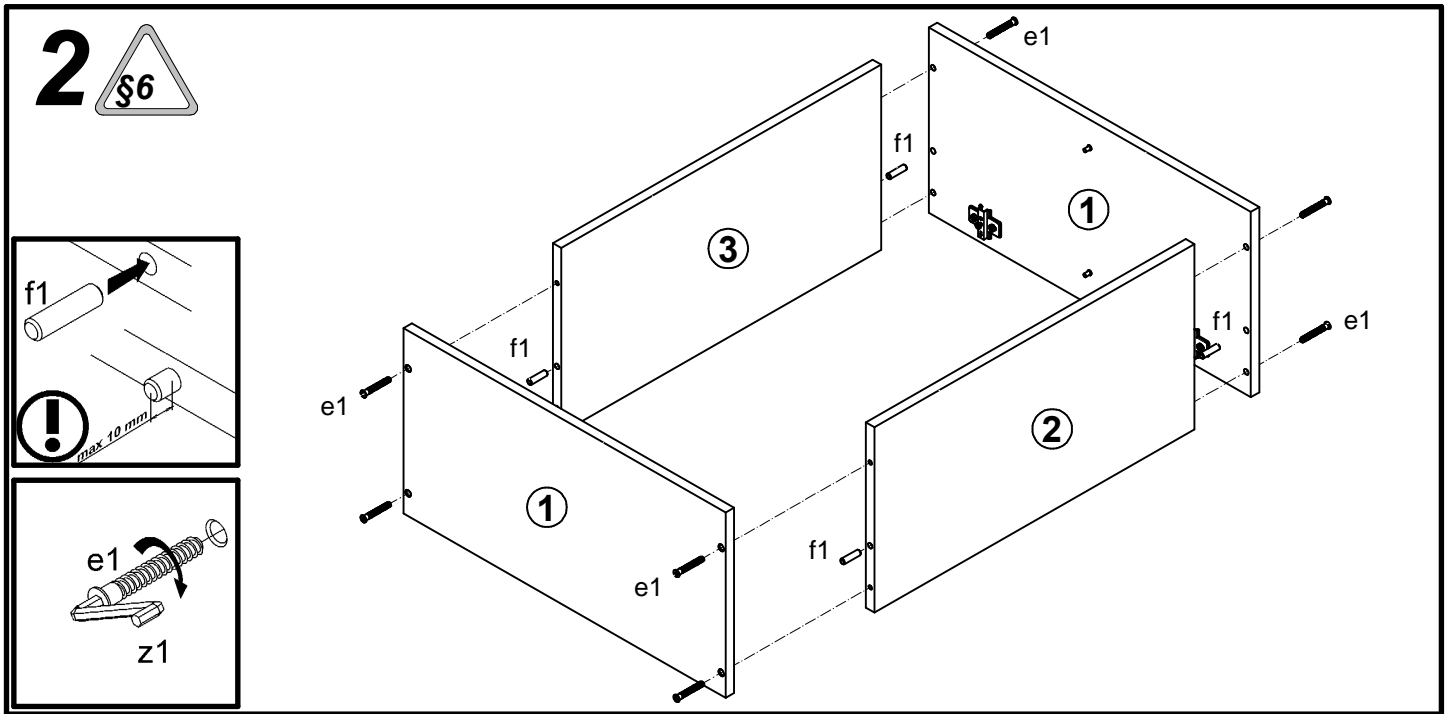
K22-G2D/60/57

A	B	C	D	
1	K22-101	573	285	1/2
2	K22-330	569	285	1/2
3	K22-343	569	285	1/2
4	K22-344	568	260	1/2
5	K22-927	567	593	1/2



1 §2

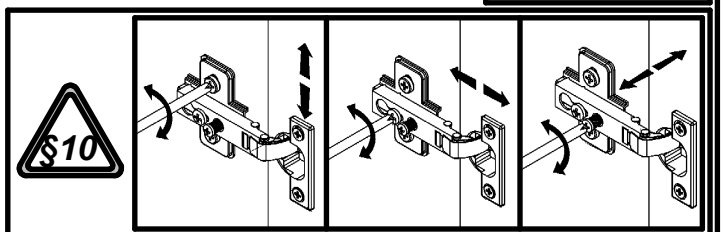
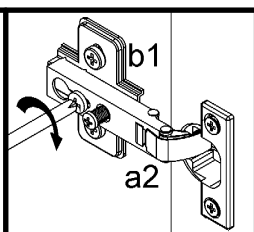
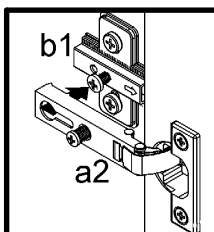
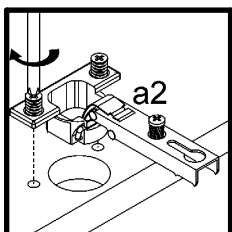
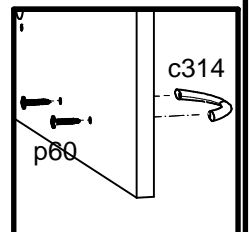
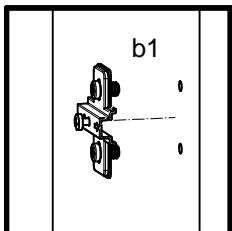
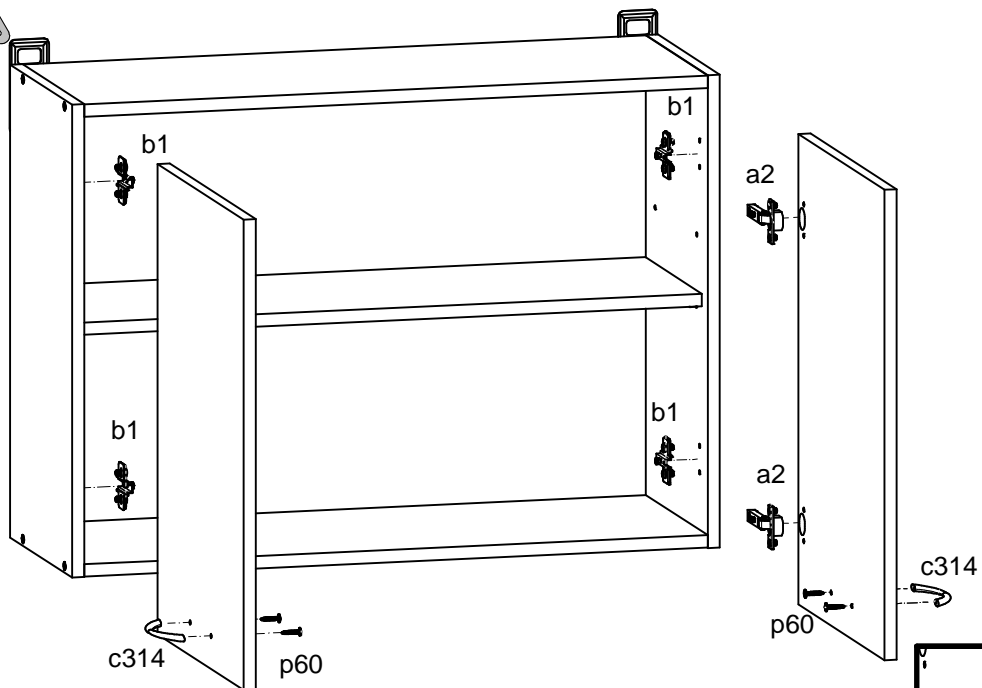
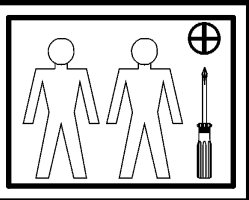
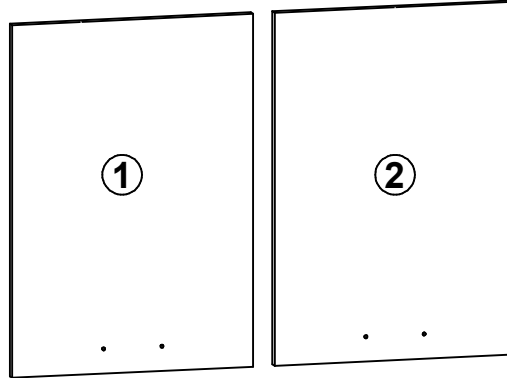
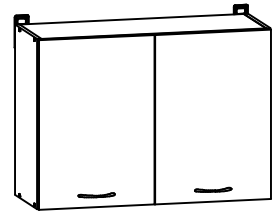




Junona Line

K22-G2D/80/57

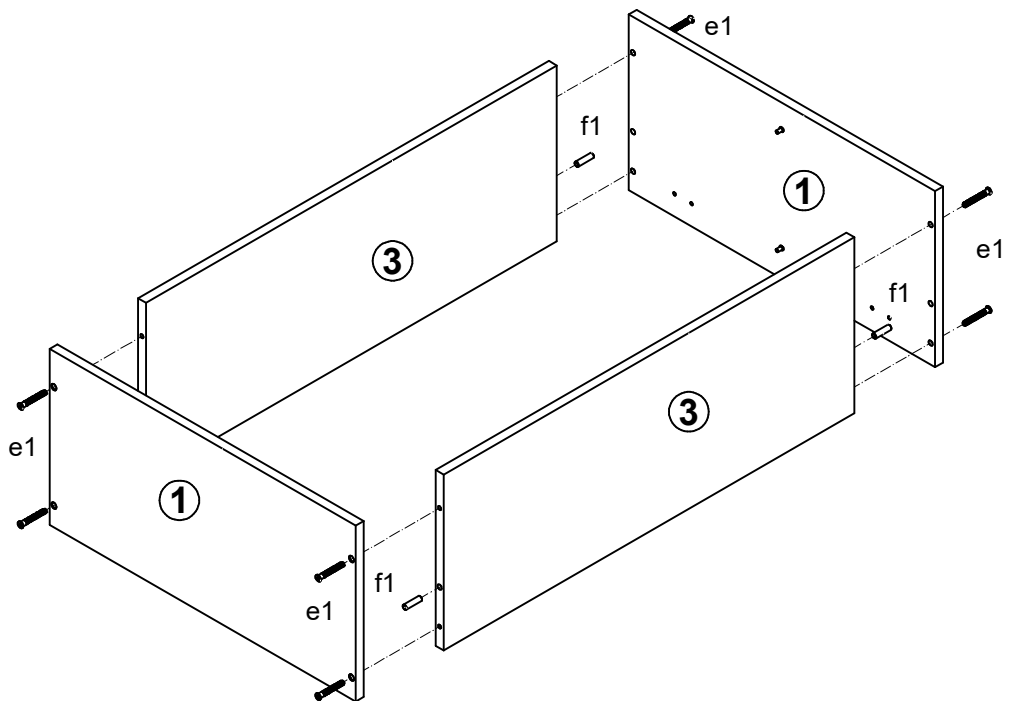
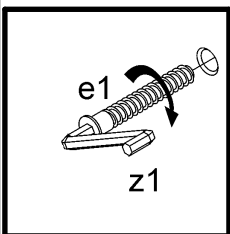
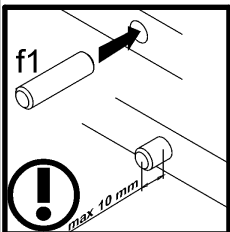
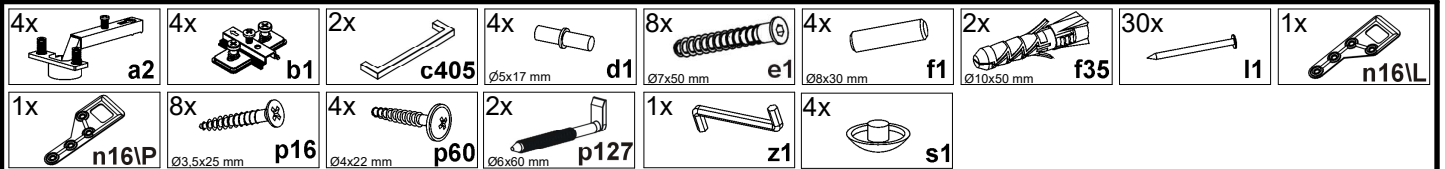
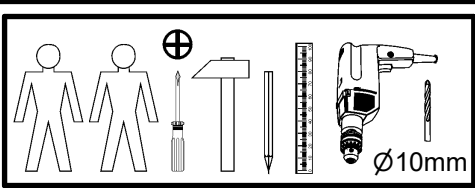
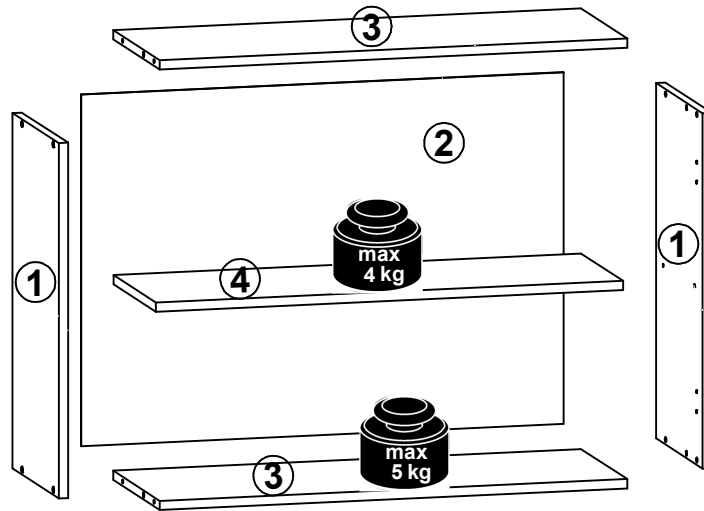
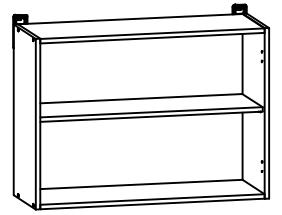
A	B	C	D
1	K22-008	396	570
2	K22-013	396	570



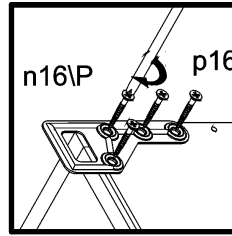
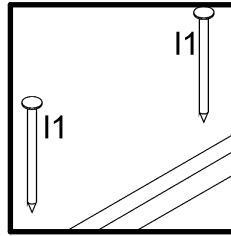
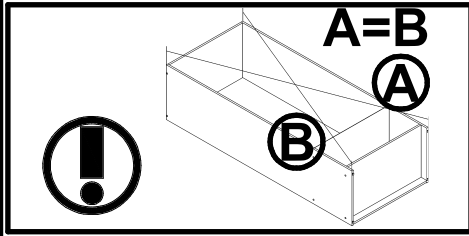
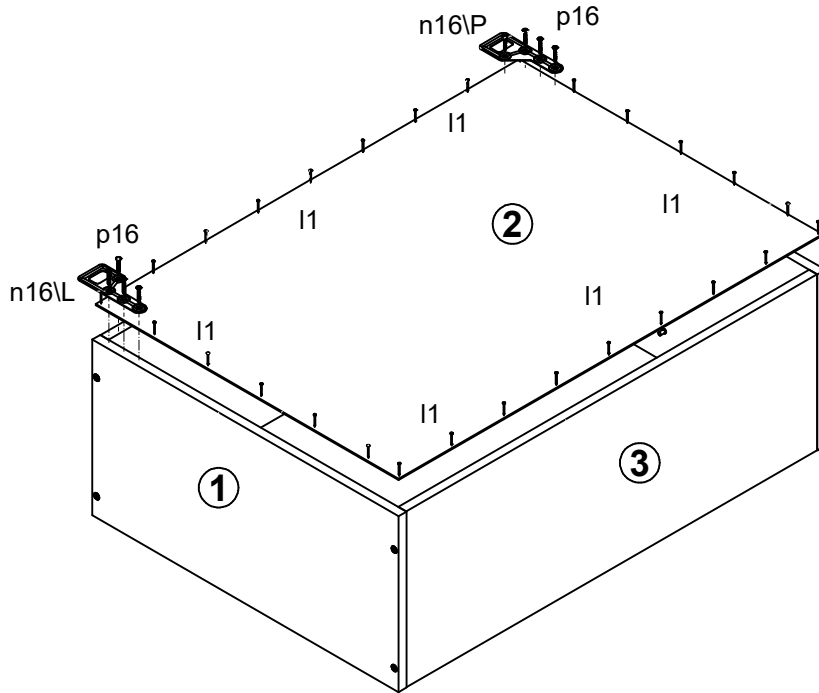
Junona Line

K24-G2D/80/57

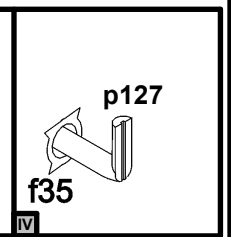
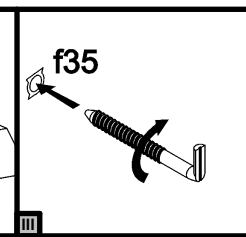
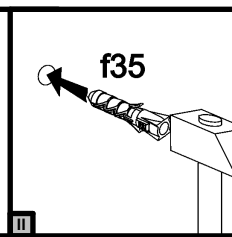
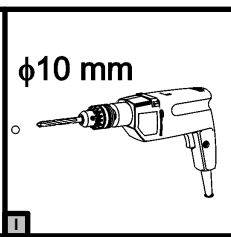
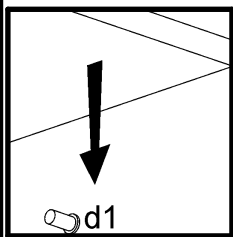
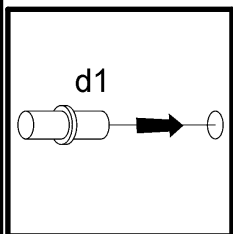
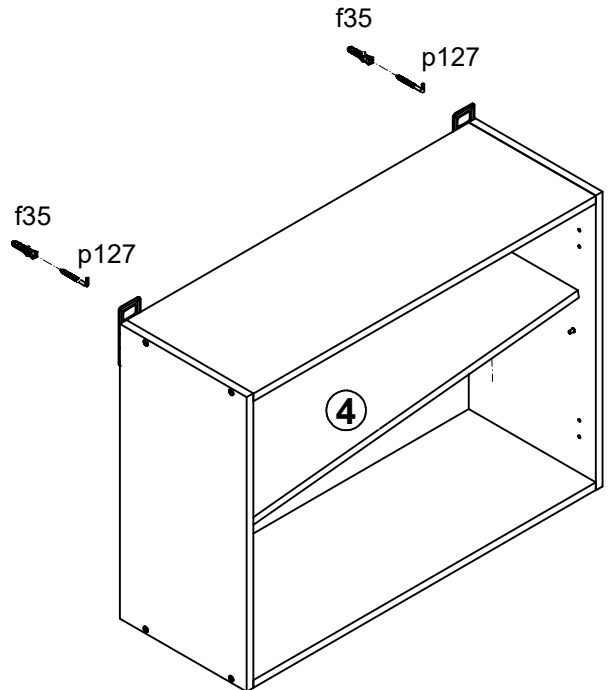
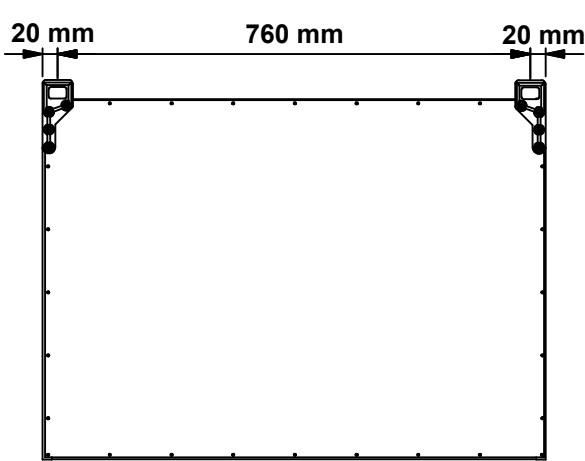
A	B	C	D
1	K24-101	573	285
2	K22-919	567	793
3	K24-328	769	285
4	K24-329	768	260



2 §6



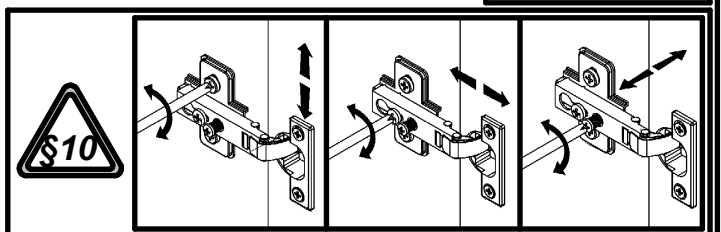
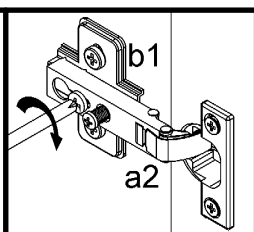
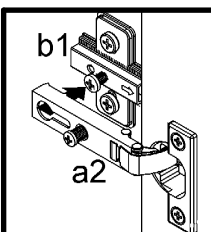
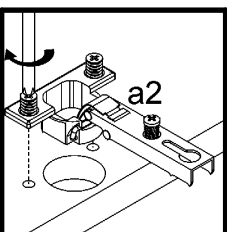
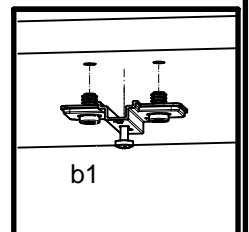
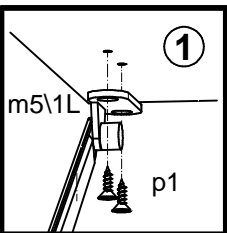
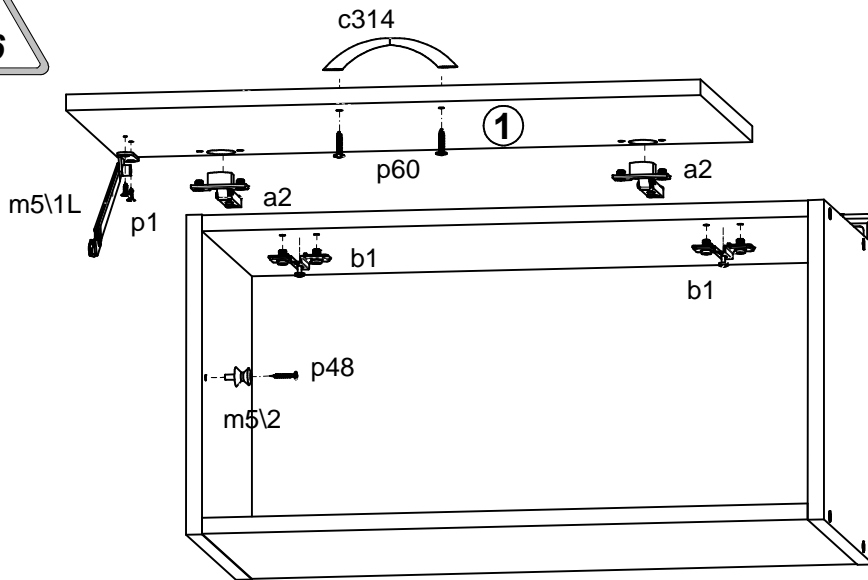
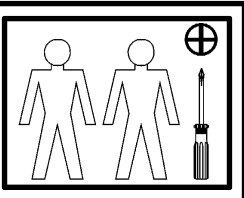
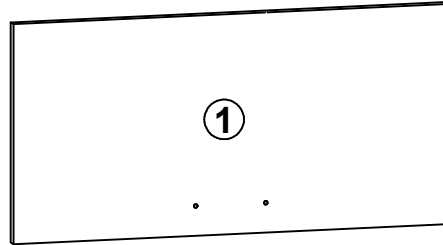
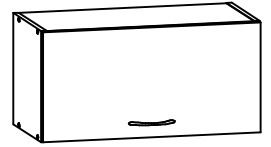
3



Junona Line

K22-GO/60/30

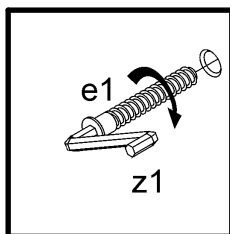
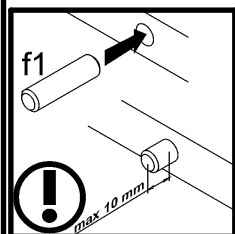
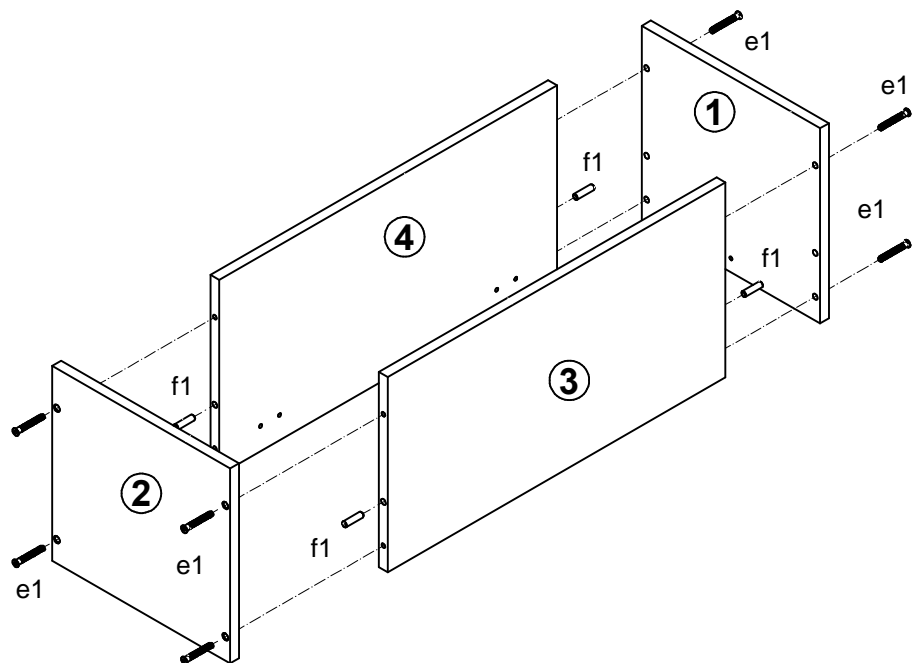
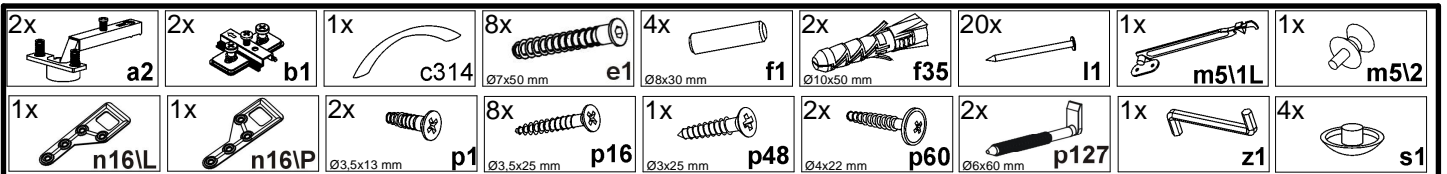
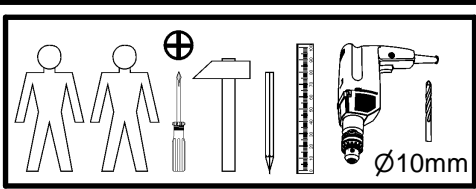
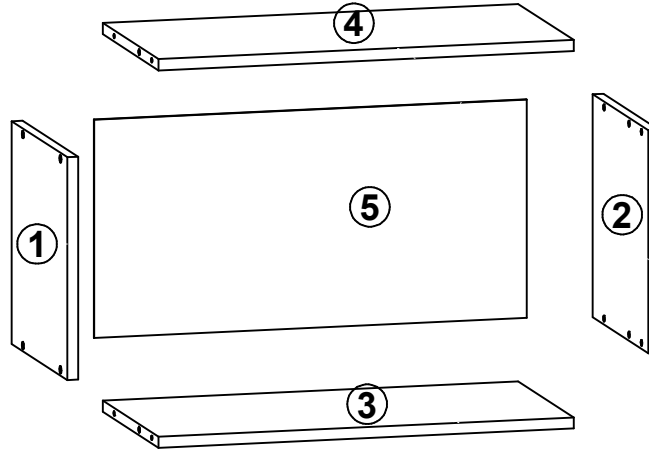
A	B	C	D
1	K22-019	596	296 2/2



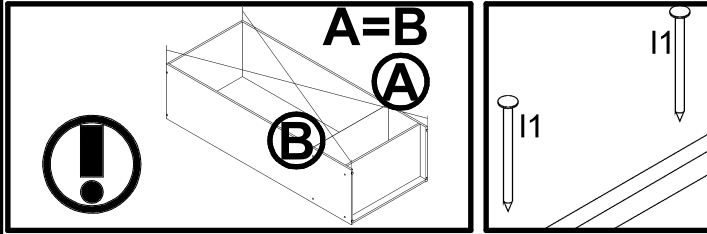
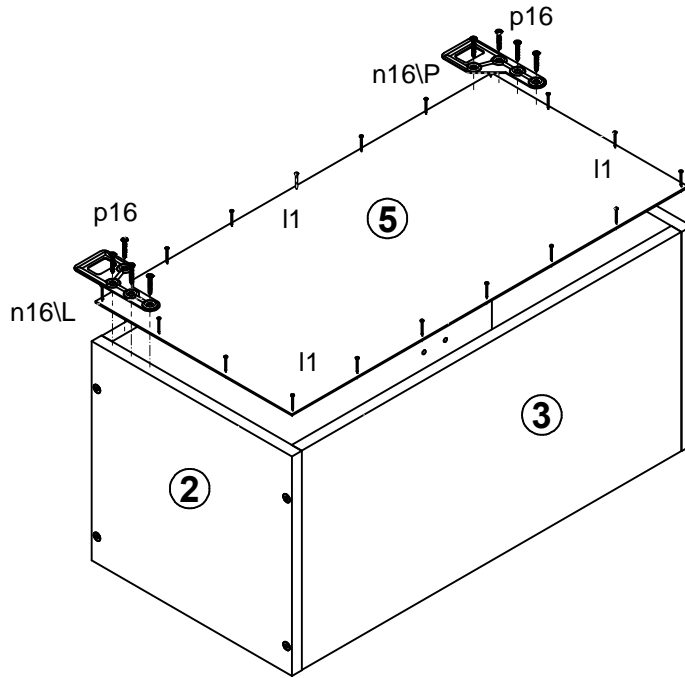
Junona Line

K22-GO/60/30

A	B	C	D
1	K22-118	300	285
2	K22-119	300	285
3	K22-330	569	285
4	K22-331	569	285
5	K22-920	593	294



2 §6



3

