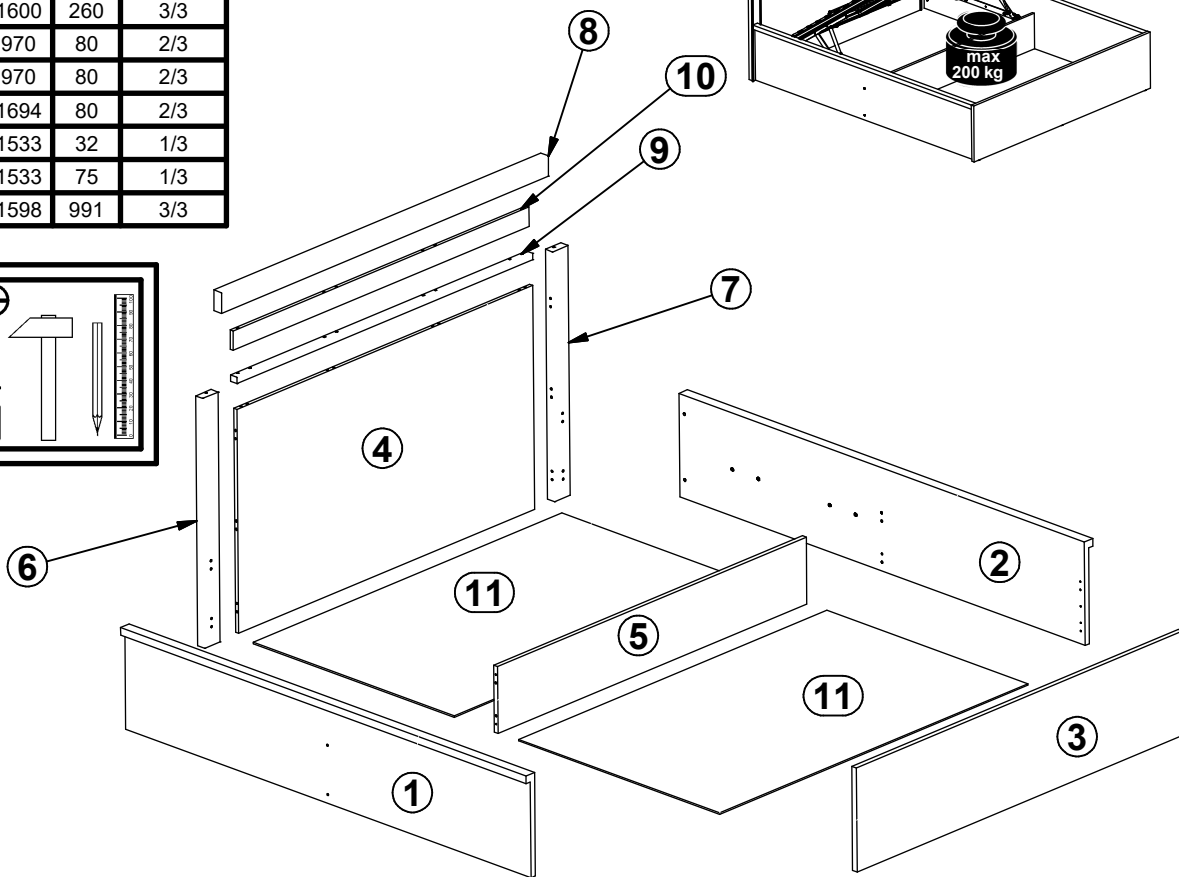
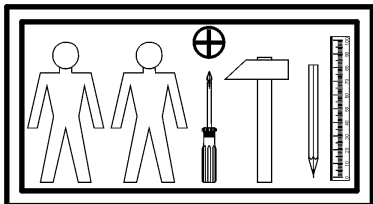
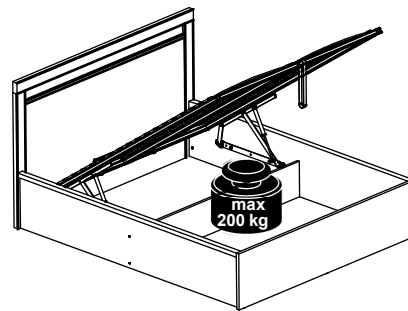


A

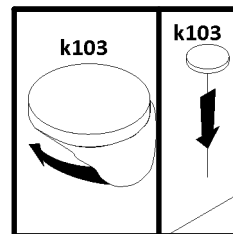
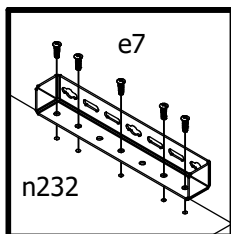
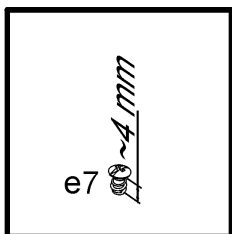
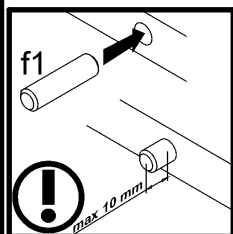
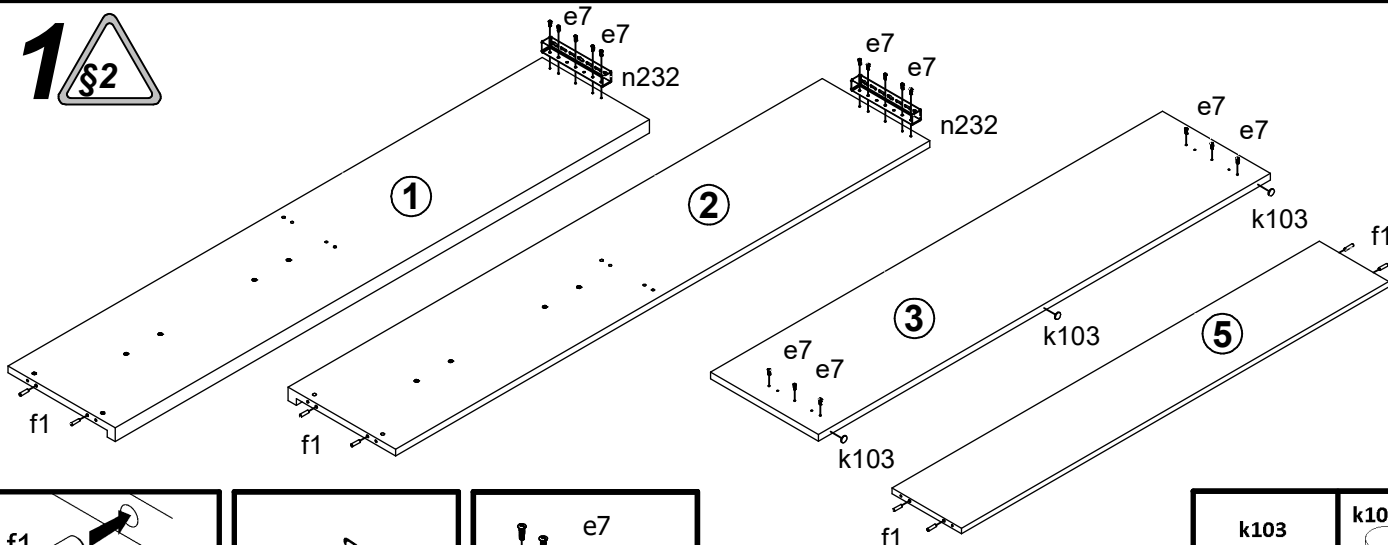
BAYLAR

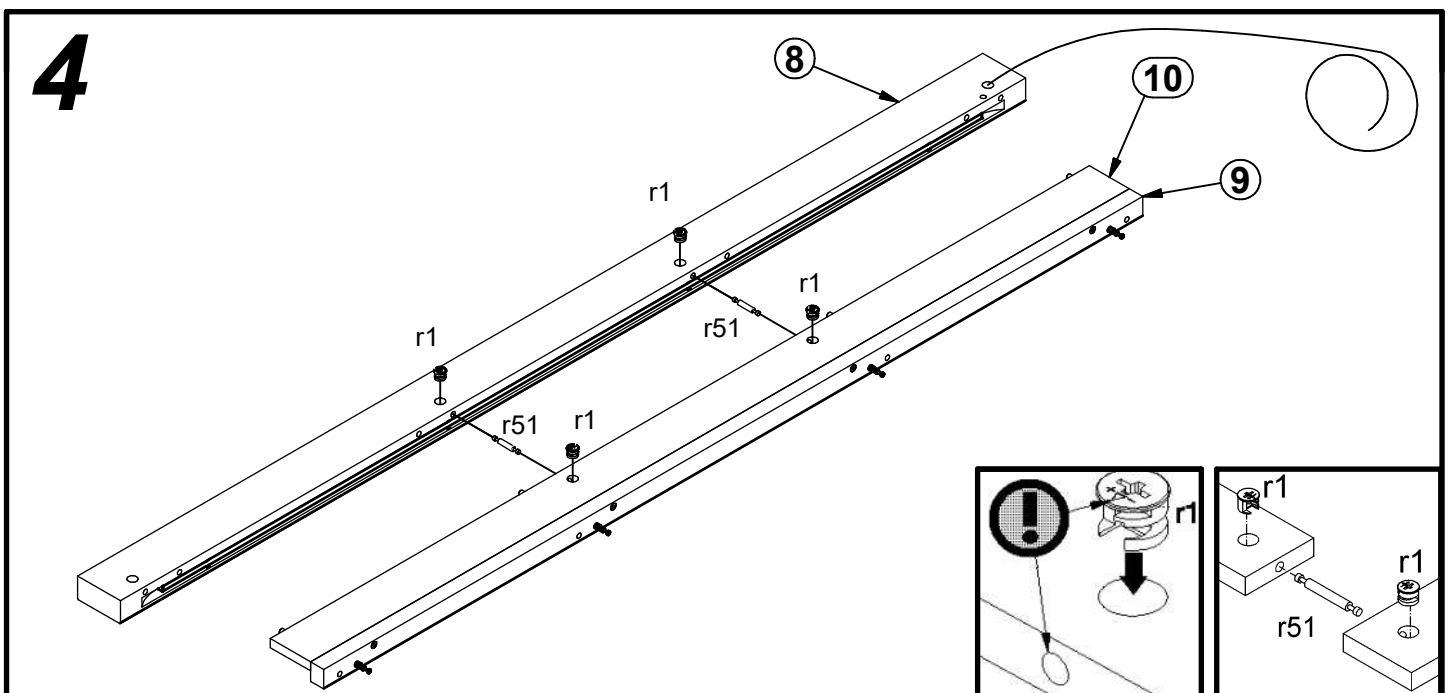
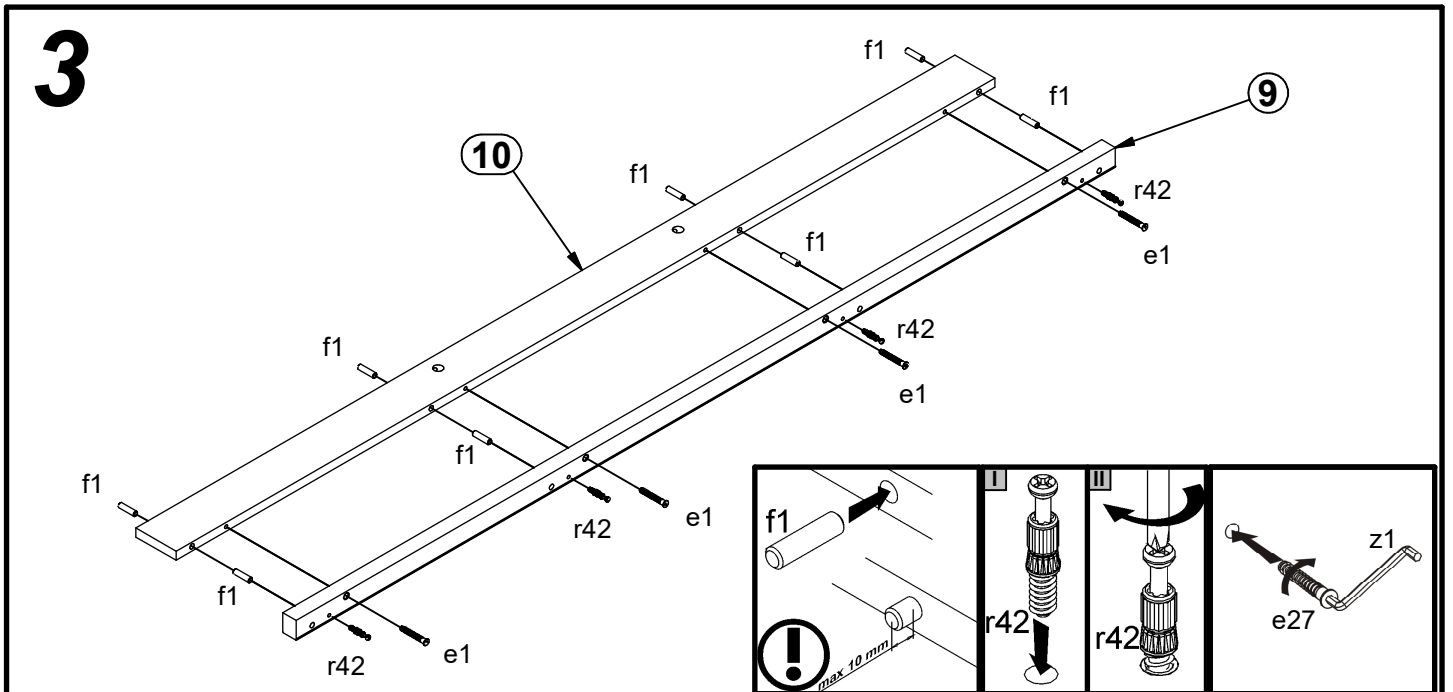
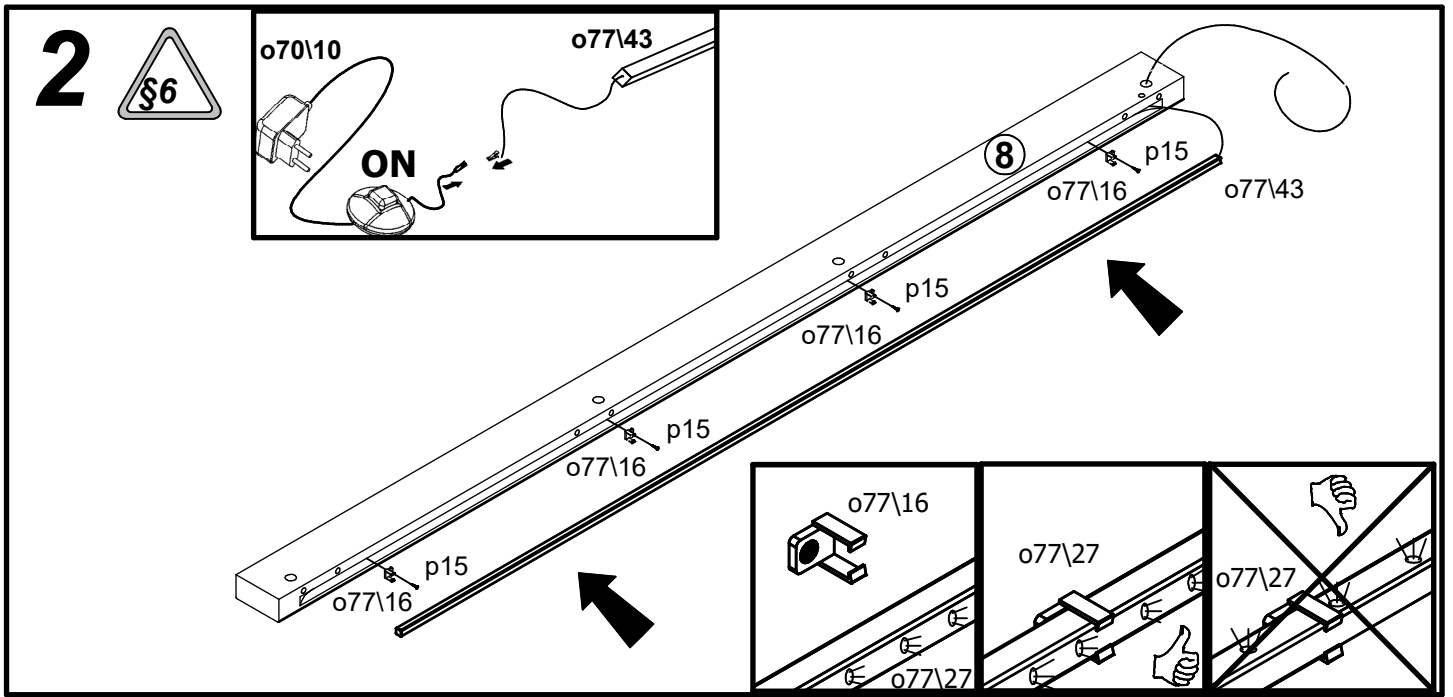
S415-LOZ/160 B

A	B	C	D
1	S415-1023	2000	402
2	S415-1024	2000	402
3	S415-4002	1692	404
4	S415-4003	1533	870
5	S415-4004	1600	260
6	S415-5040	970	80
7	S415-5041	970	80
8	S415-5042	1694	80
9	S415-5043	1533	32
10	S415-5044	1533	75
11	S415-9007	1598	991

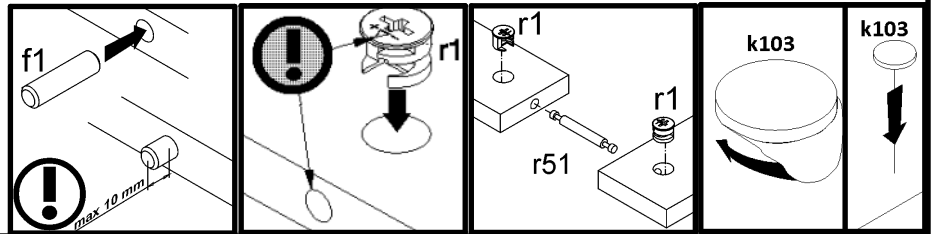
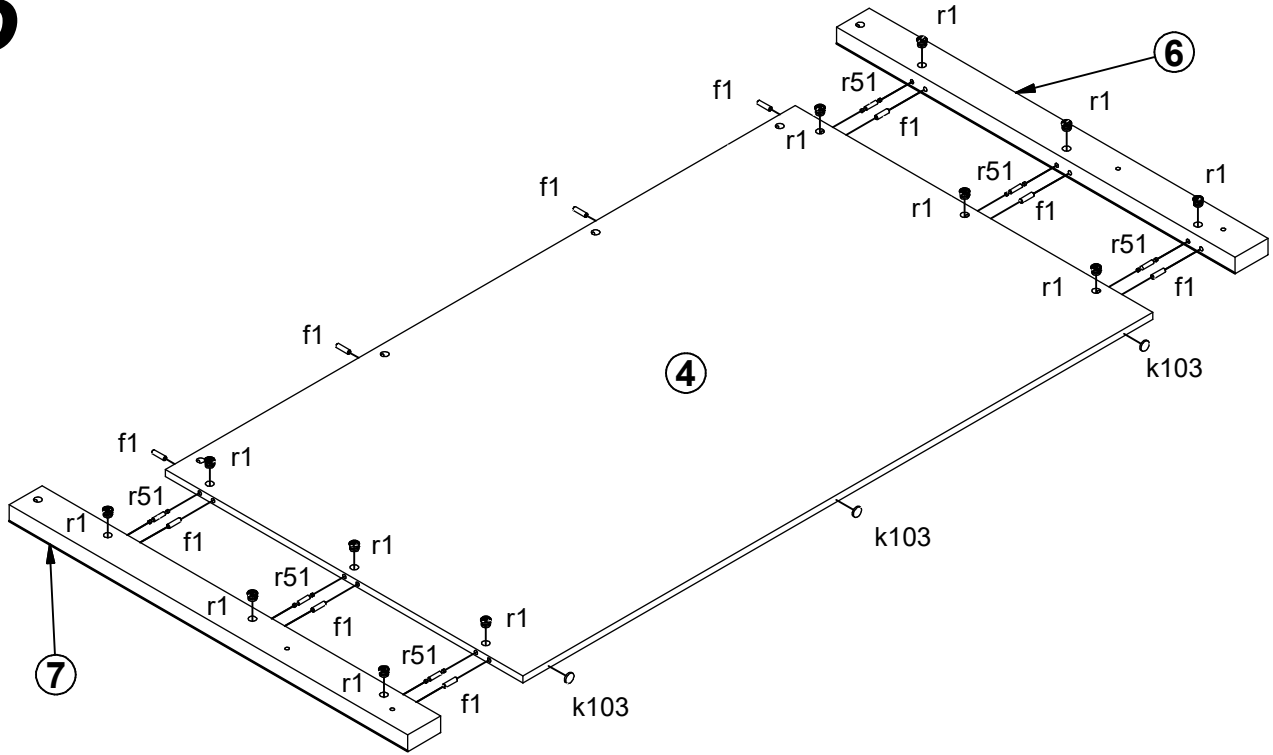


8x Ø7x50 mm e1	20x Ø6.3x16 mm e7	26x Ø8x30 mm f1	8x M6x20 mm j167	4x M6x70 mm j171	6x Ø20x3mm k103	4x Ø77/16	4x Ø2.5x13 mm p15	24x Ø15x12 mm #16 r1
2x n232	4x r42	4x Ø10x16 mm r43	10x 40 mm r51	1x 4 mm z1	4x Ø14x0.5 mm s59	1x Ø70/10	1x 10x10 mm Ø77/43	

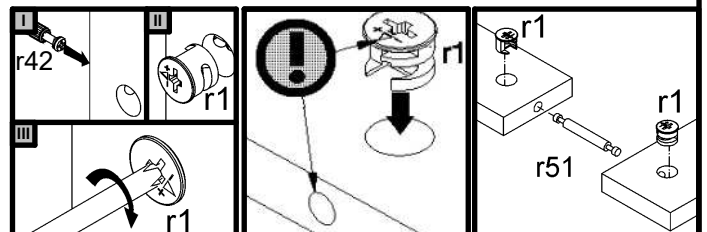
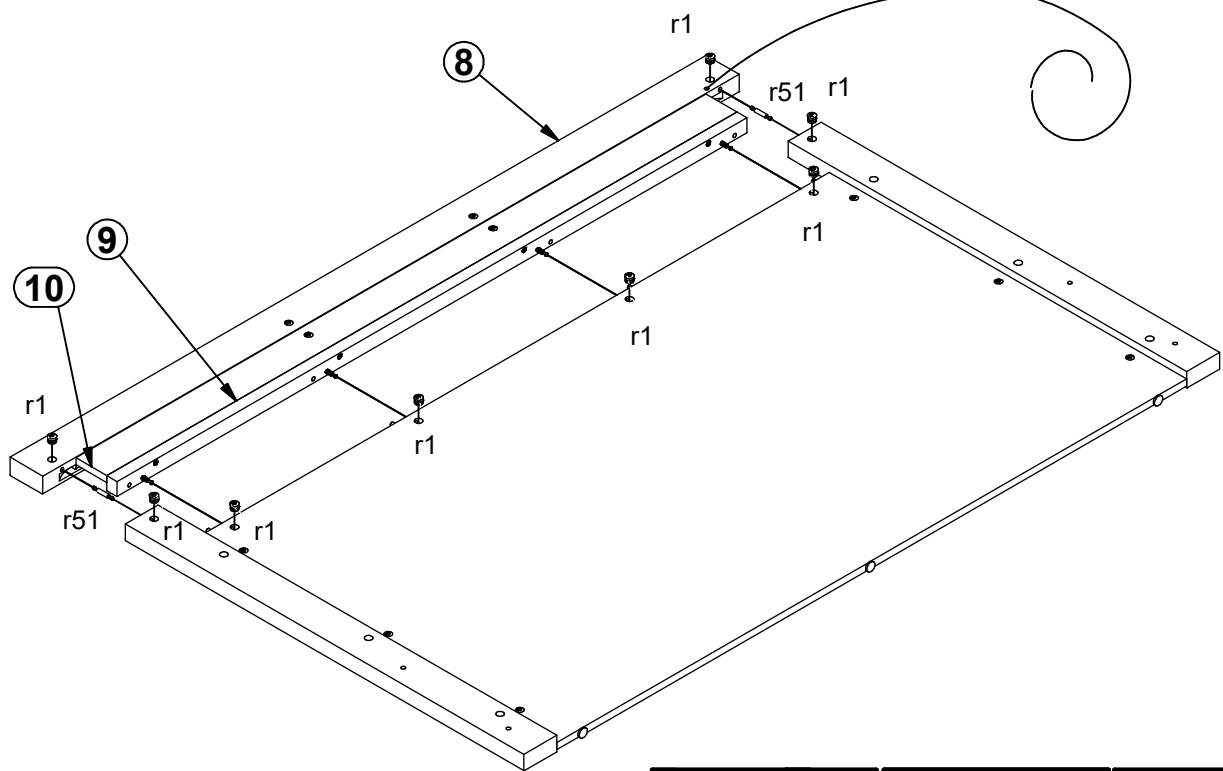




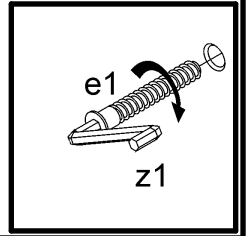
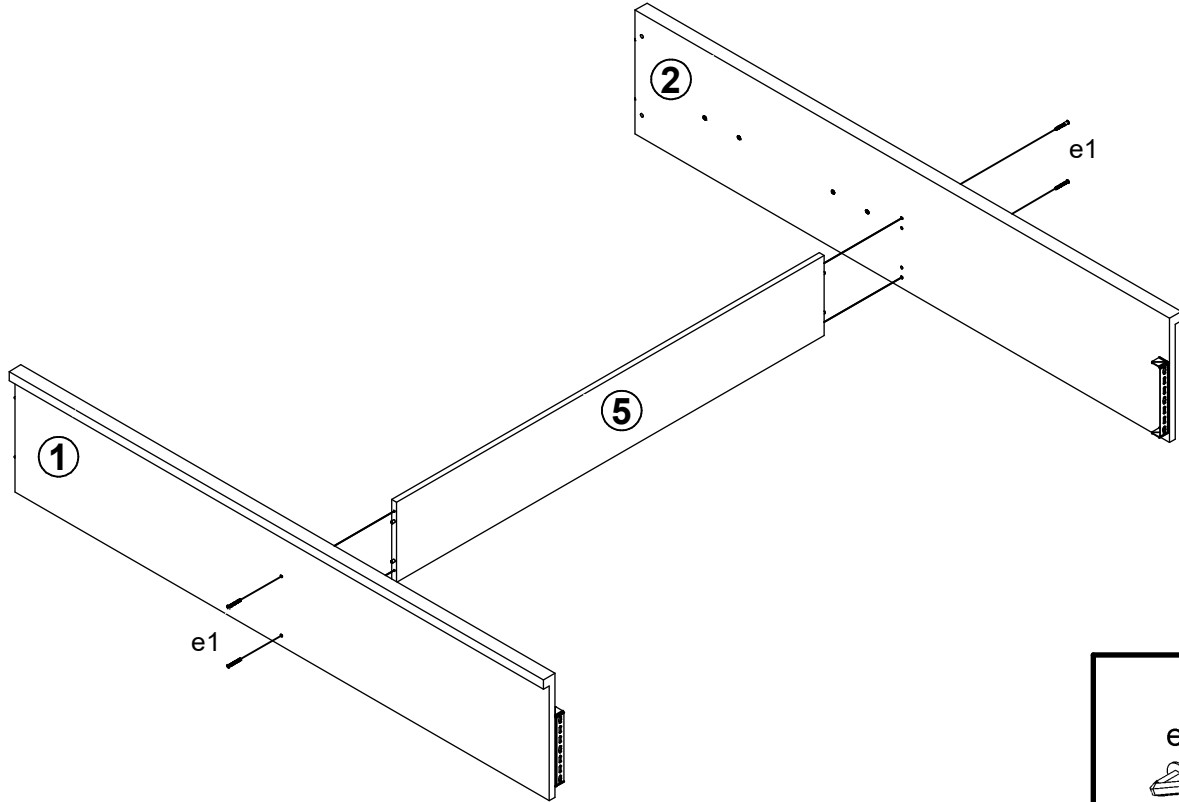
5



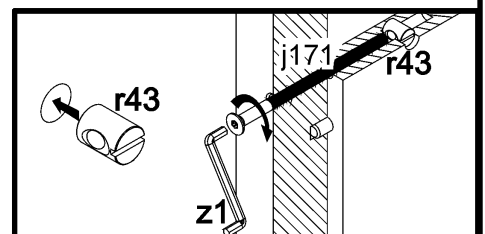
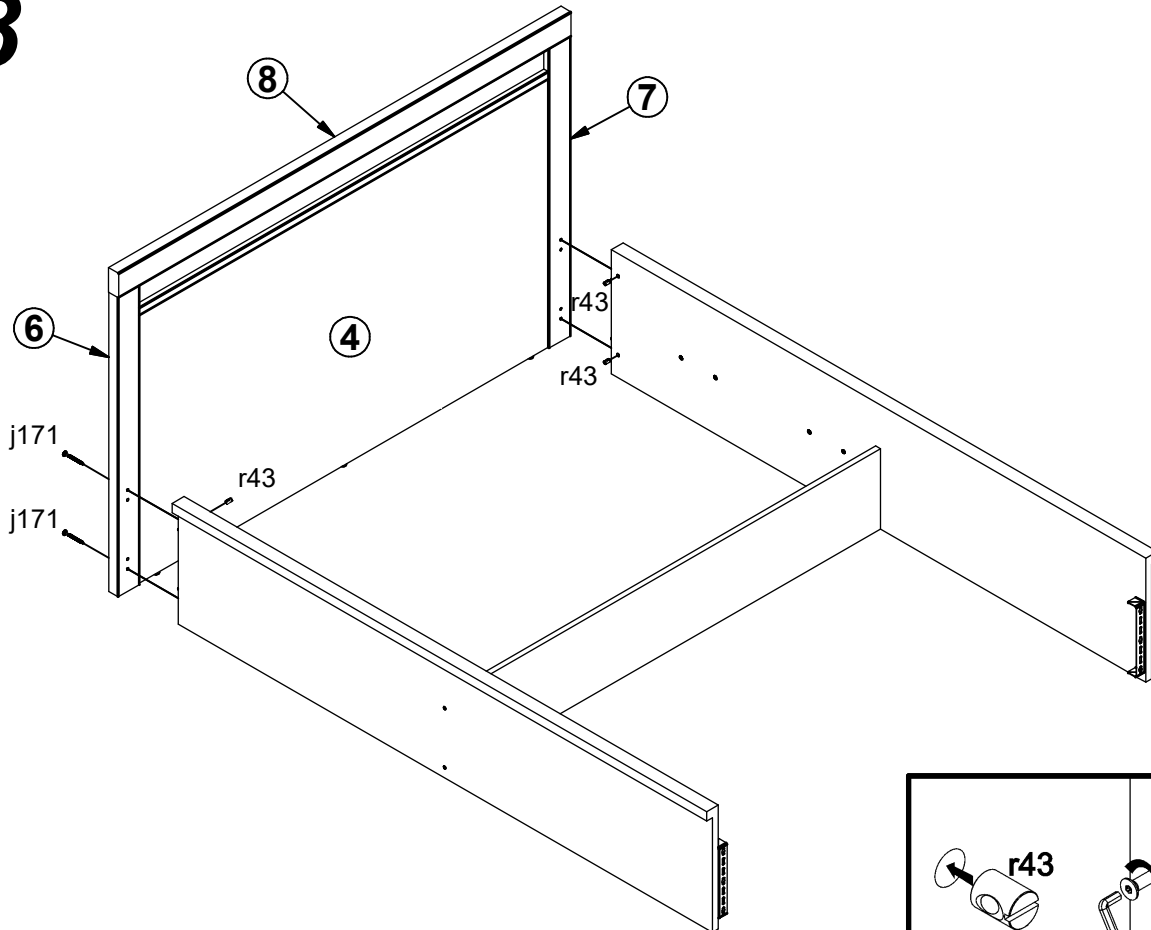
6



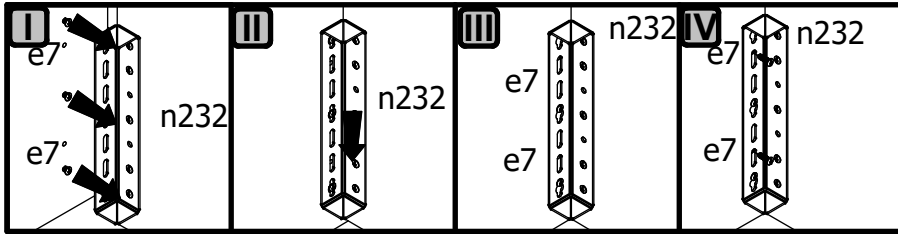
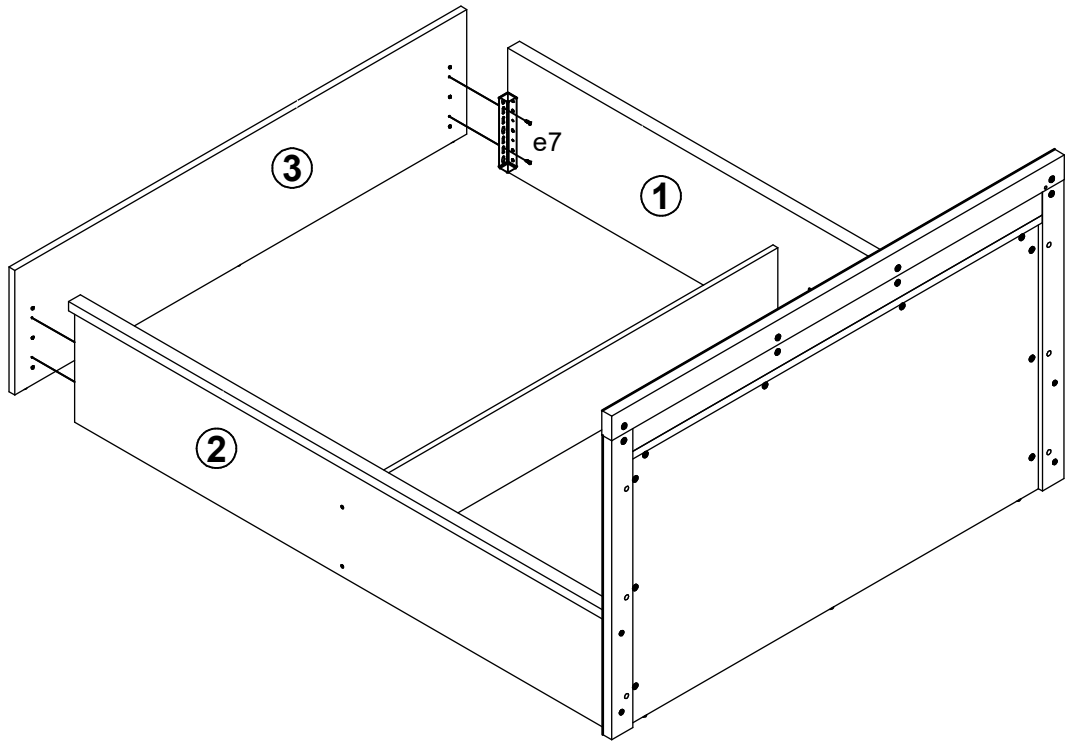
7



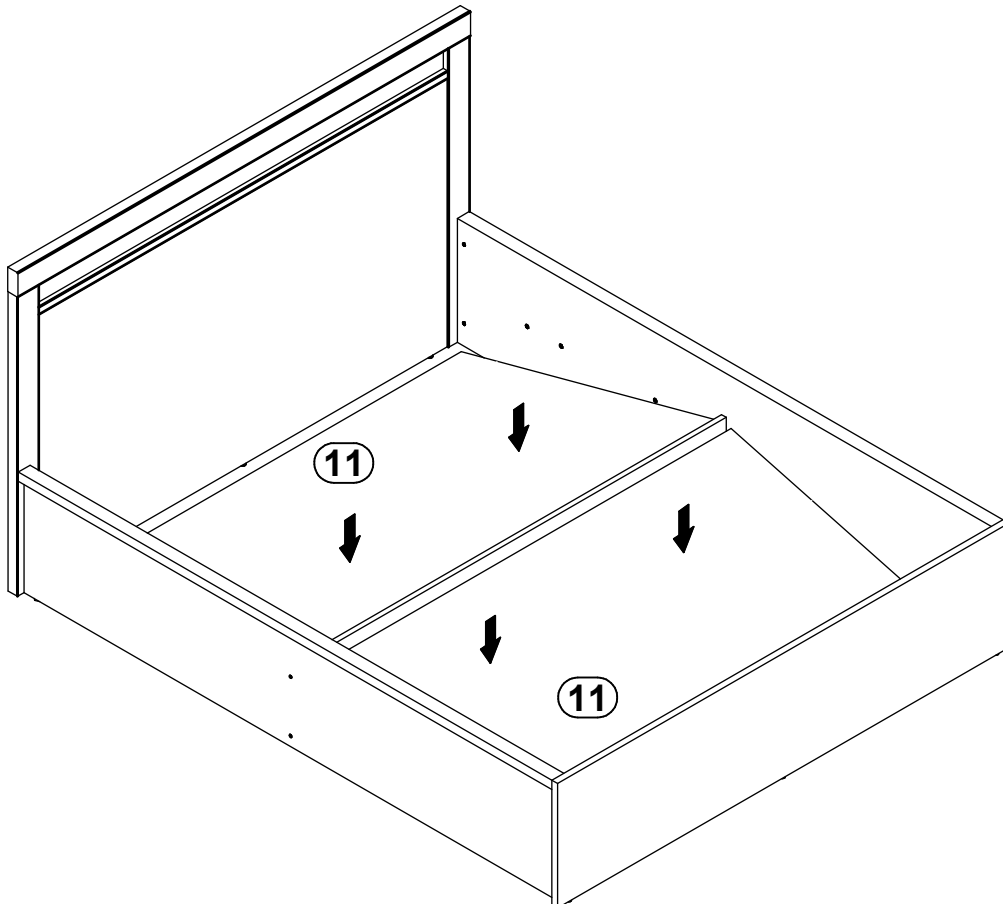
8



9



10



11

