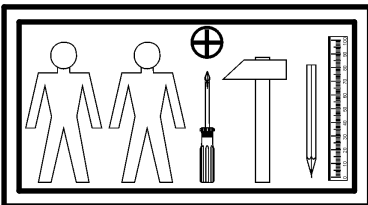
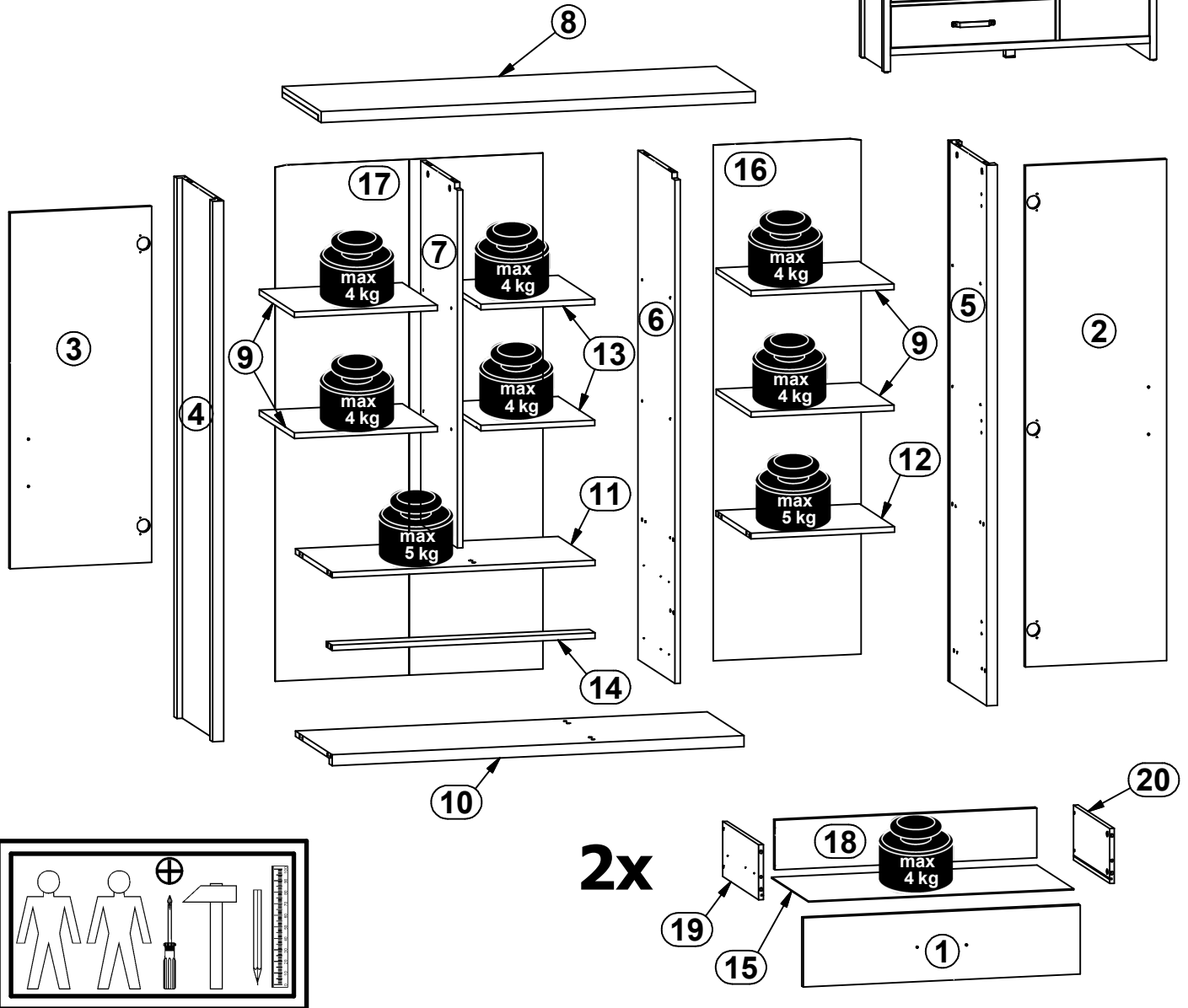
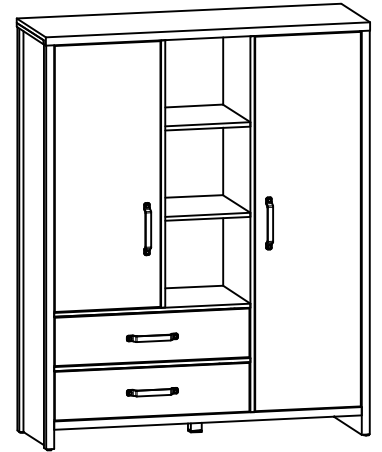


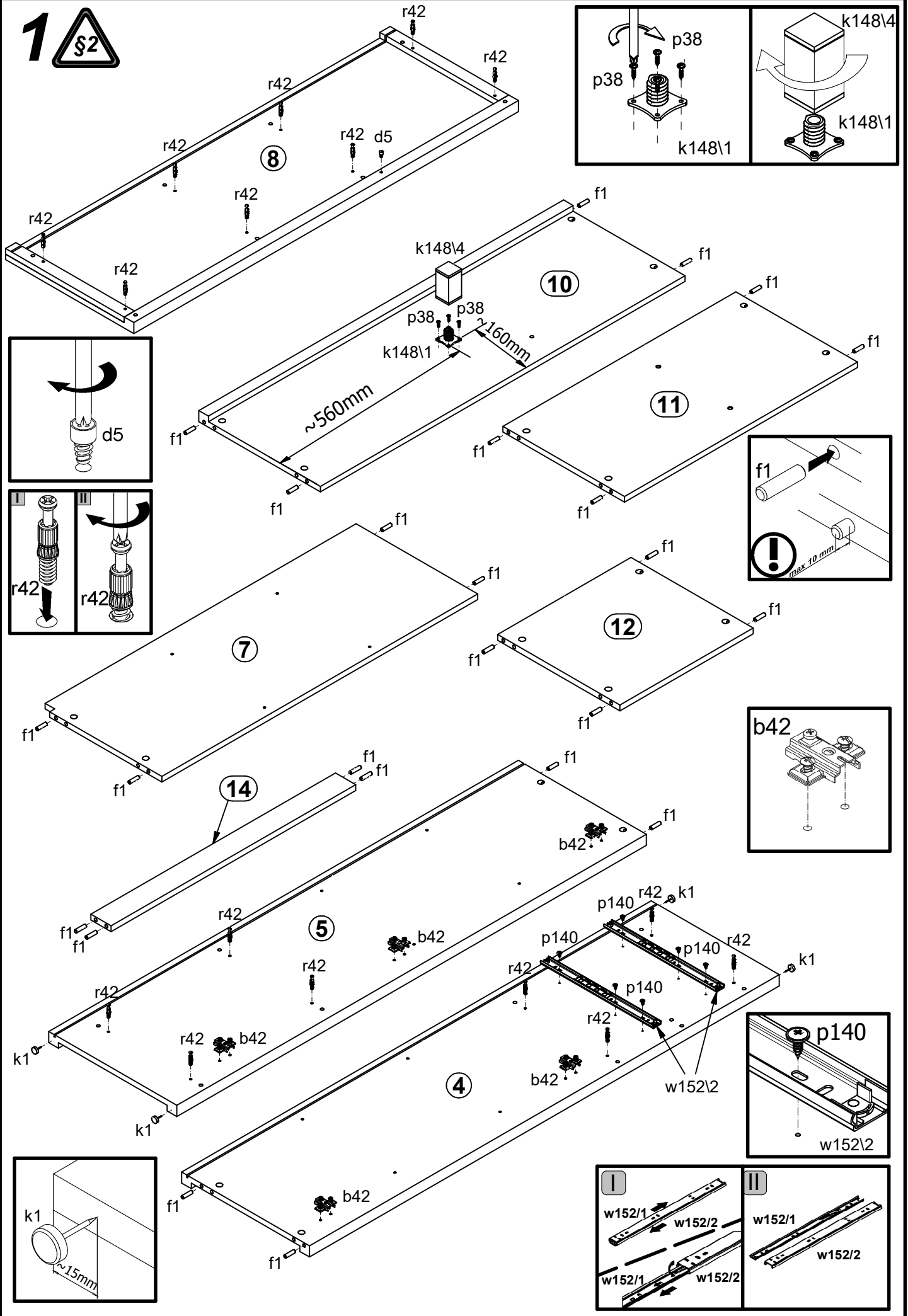
A	B	C	D	A	B	C	D		
1	S483-0007	720	176	3/3	11	S483-3008	726	379	3/3
2	S483-0008	1358	390	2/3	12	S483-3009	396	363	1/3
3	S483-0009	964	390	2/3	13	S483-3010	314	377	2/3
4	S483-1016	1464	399	1/3	14	S483-4009	726	60	3/3
5	S483-1017	1464	399	1/3	15	S483-9004	690	357	3/3
6	S483-1018	1379	379	2/3	16	S483-9005	1397	408	1/3
7	S483-1019	985	379	2/3	17	S483-9303	1397	739	1/3
8	S483-2006	1199	400	1/3	18	ZK3-5153	680	127	3/3
9	S483-3006	395	360	3/3	19	ZK3-511	350	140	1/3
10	S483-3007	1137	379	1/3	20	ZK3-512	350	140	1/3



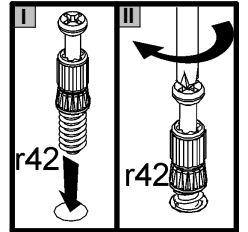
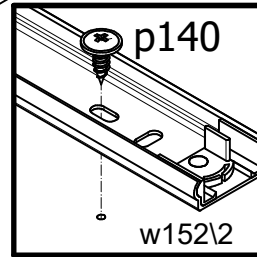
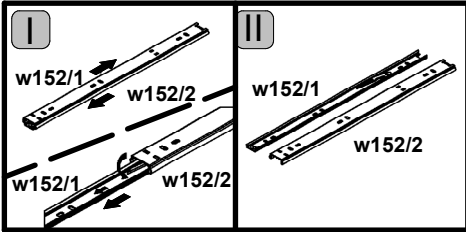
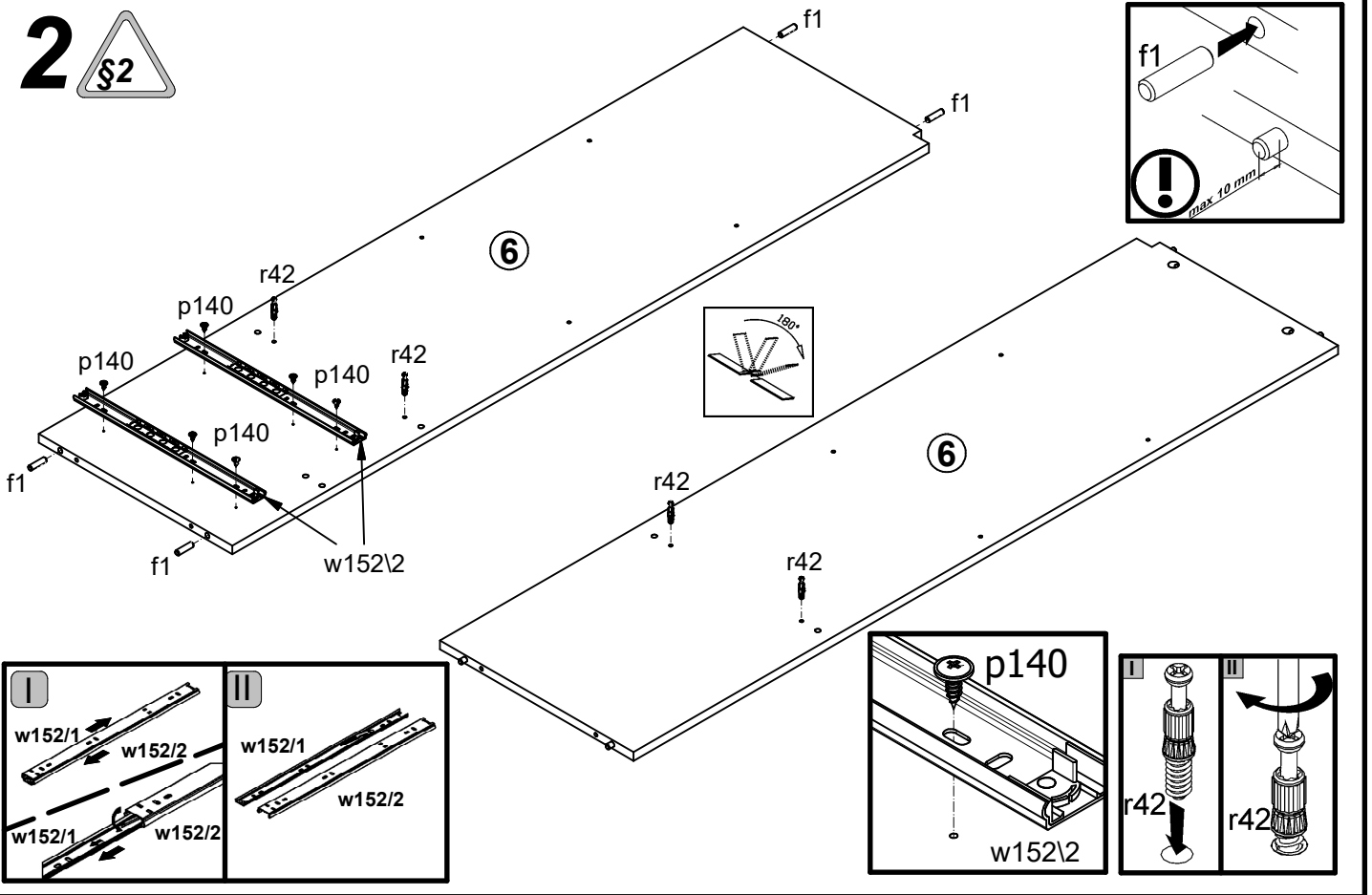
2x

5x K18 Ø35 a172	5x b42	4x 128 mm c511/1	24x Ø5x17 mm d1	1x Ø6,3x15 mm d5	4x Ø7x50 mm e1	28x Ø8x30 mm f1	4x Ø6x30 mm f9	8x Ø6,5x40 mm f25
4x k1	1x 66x213 k148/1	1x 60x60/24 k148/4	9x l2	7x 22x9,5x210,7 mm n108	1x silikon o21	2x Ø3,5x16 mm p25	2x Ø3,5x10 mm p35	16x Ø3,5x16 mm p38
10x Ø3,5x15 mm p51	19x Ø2,9x16 mm p55	8x Ø4x22 mm p60	24x Ø3,5x12 mm p140	20x Ø15x12 mm #16 r1	8x Ø12x10,5 mm #12 r15	28x 20/11 r42	2x 350 mm t35	8x Ø 20mm s68
4x 350/580 mm w152/1	4x 350/580 mm w152/2	1x 4 mm z1				1x n26	1x Ø3,5x16 mm p38	

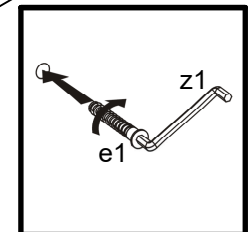
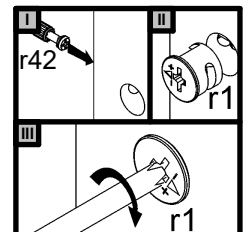
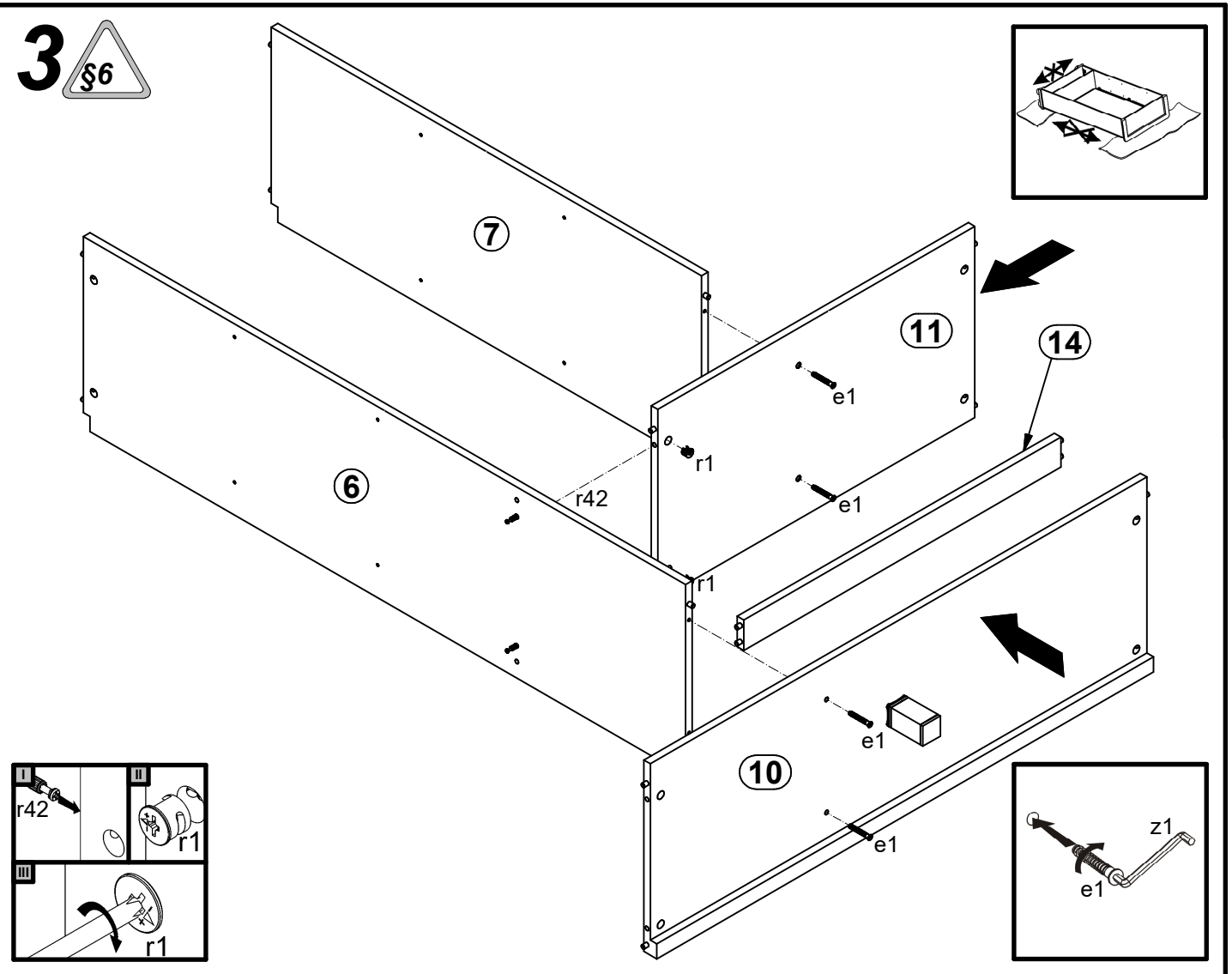
1 



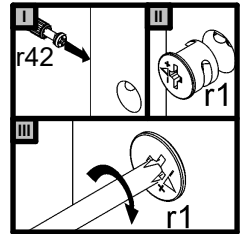
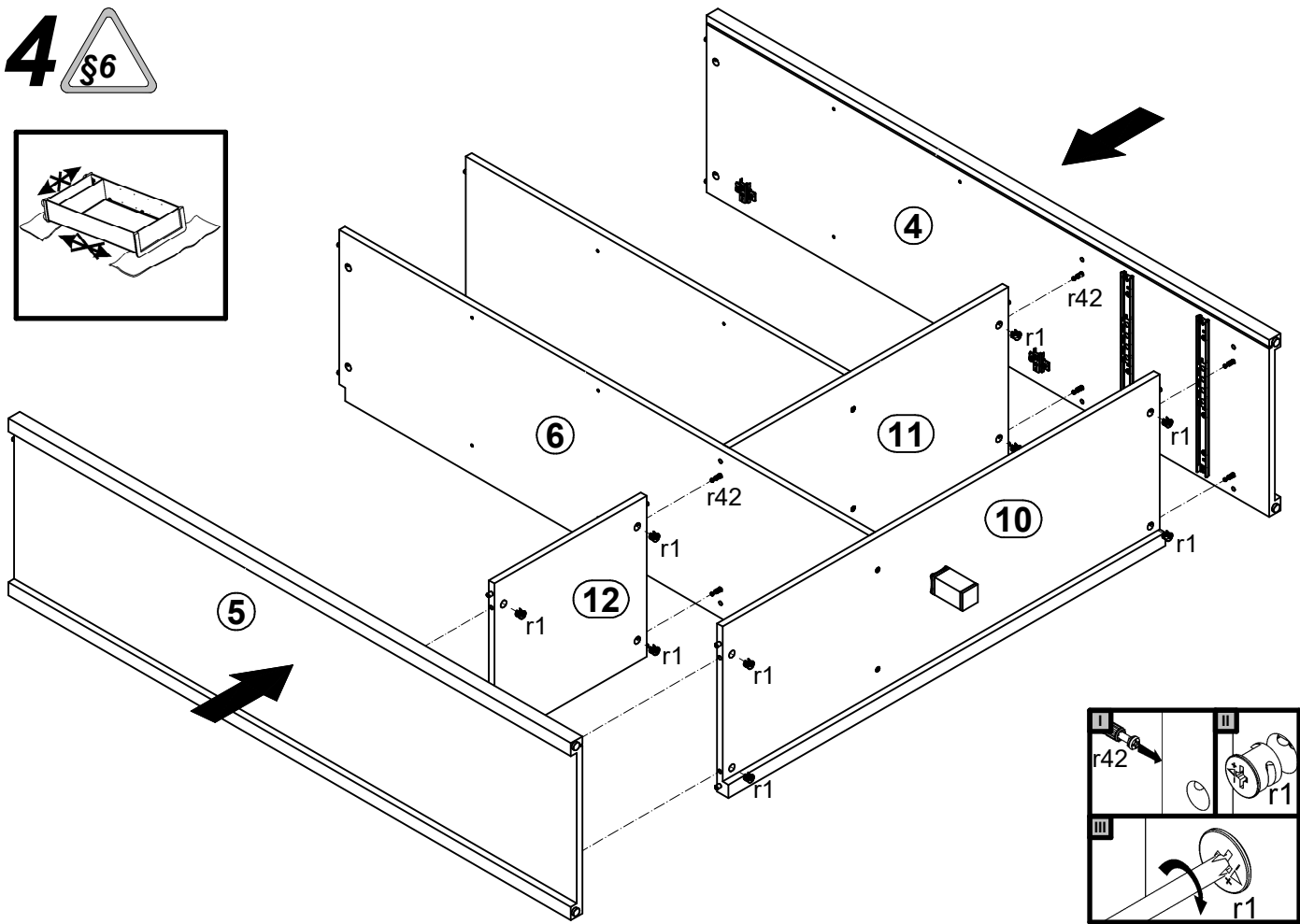
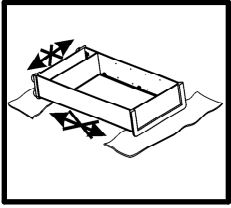
2



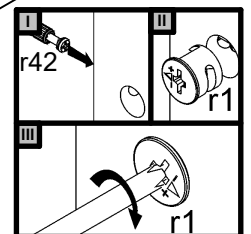
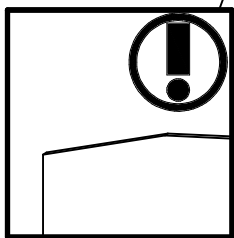
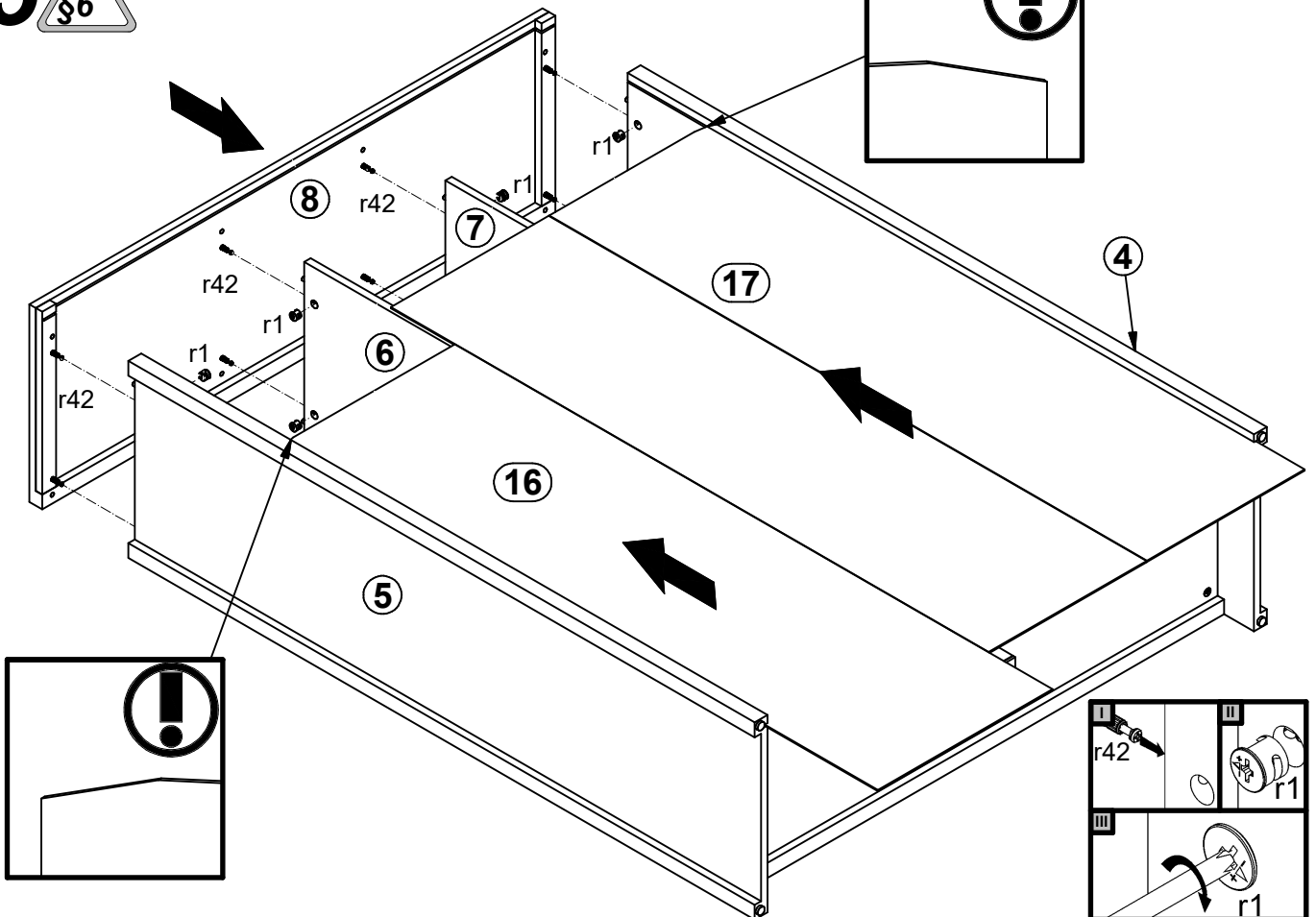
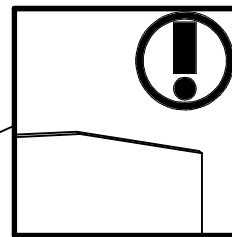
3



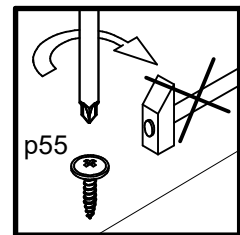
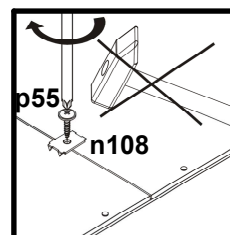
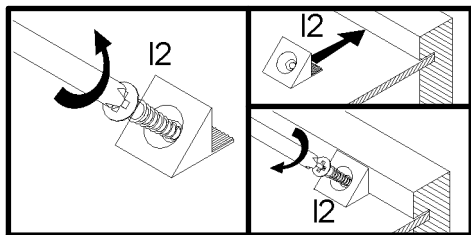
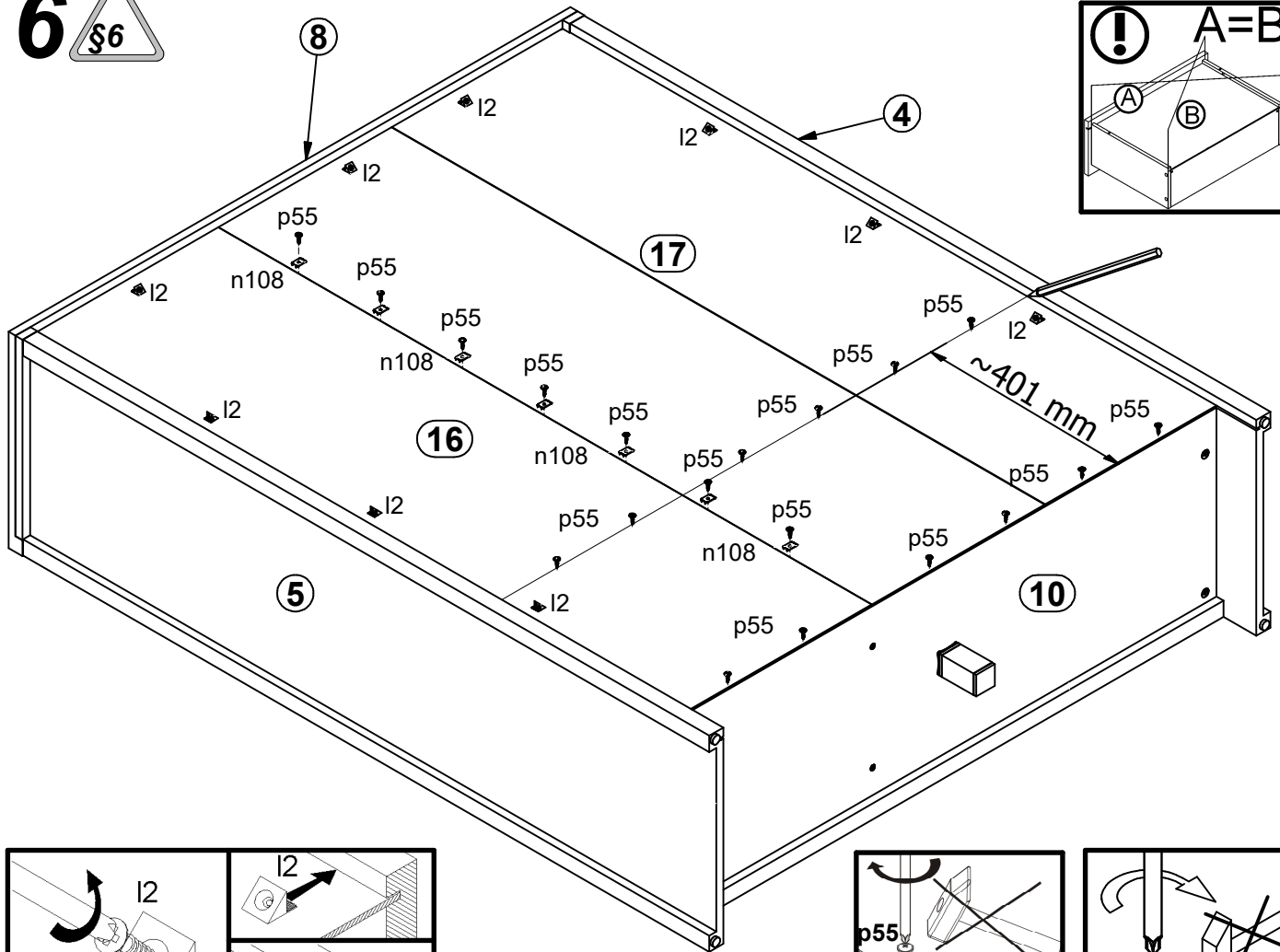
4 §6



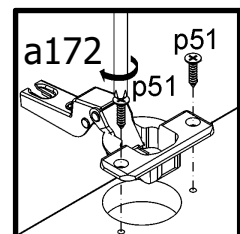
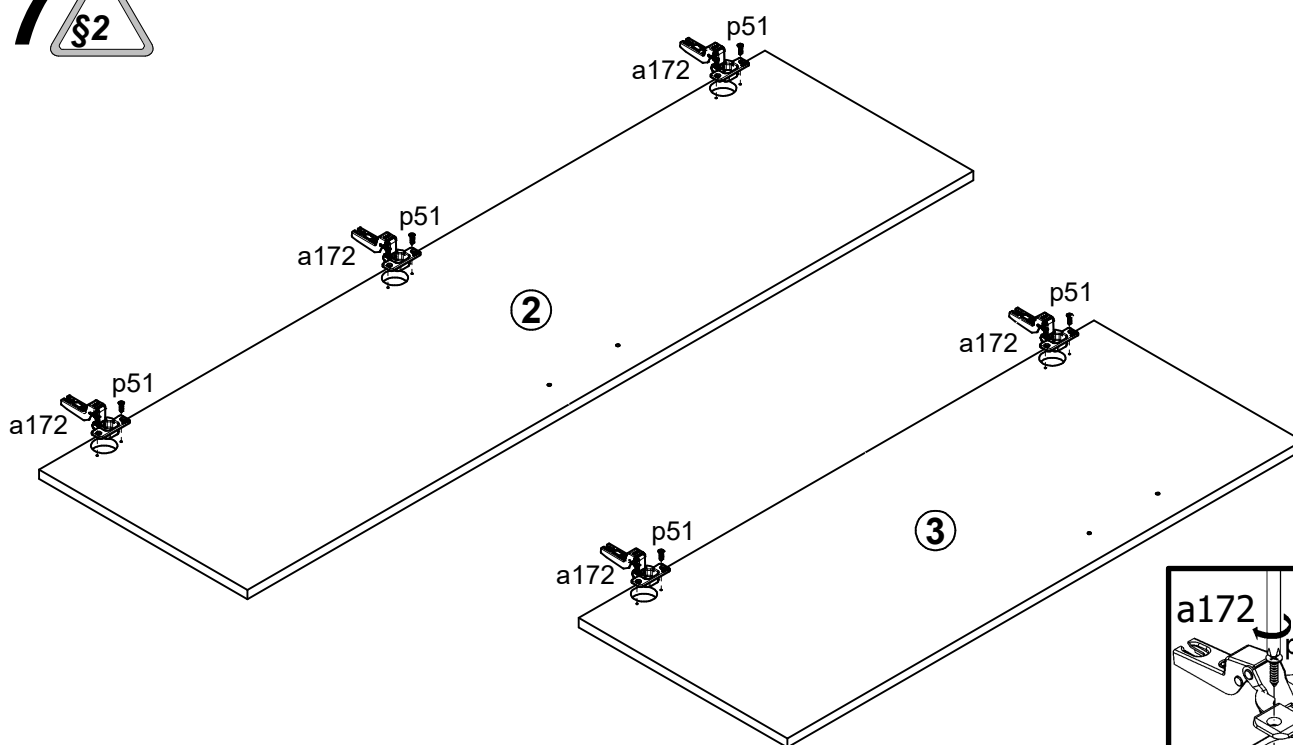
5 §6



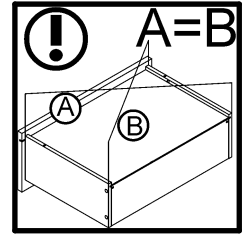
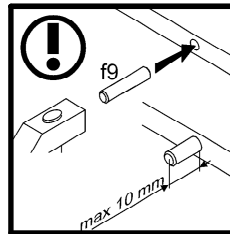
6



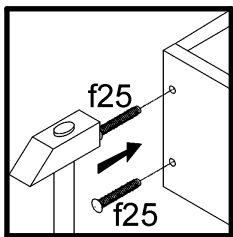
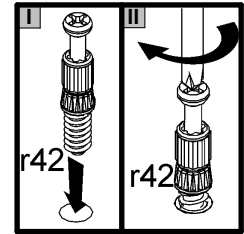
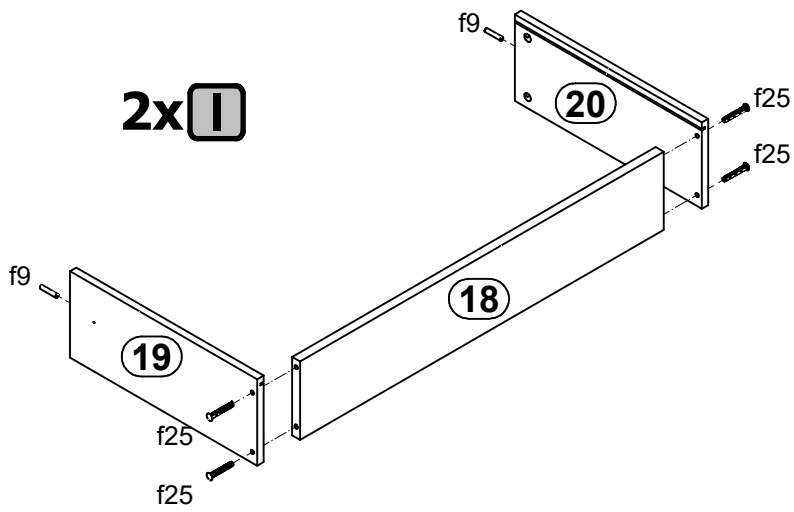
7



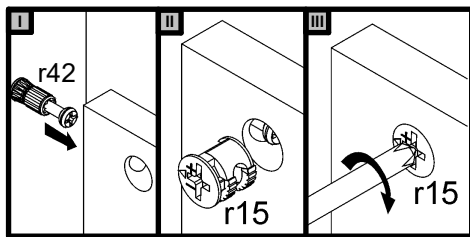
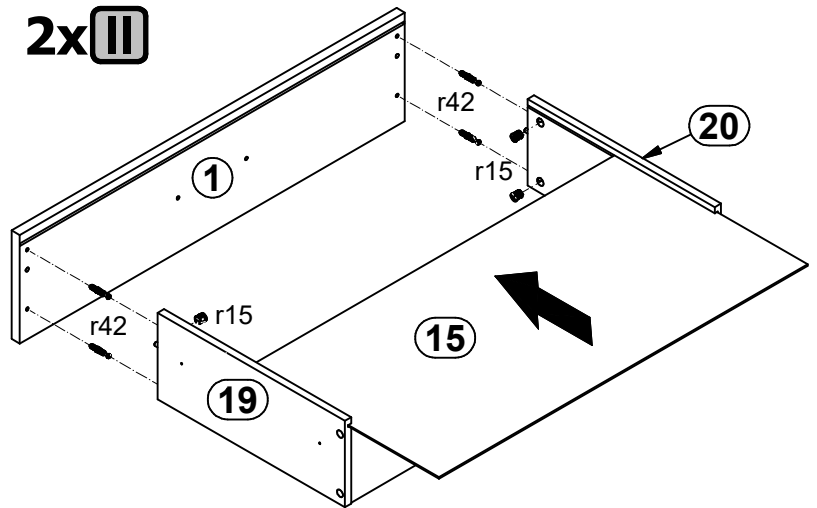
8  



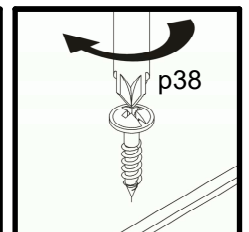
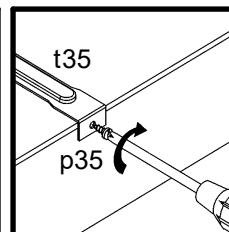
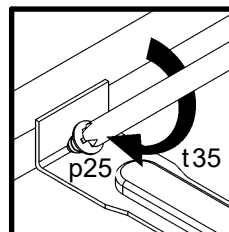
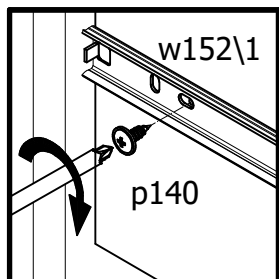
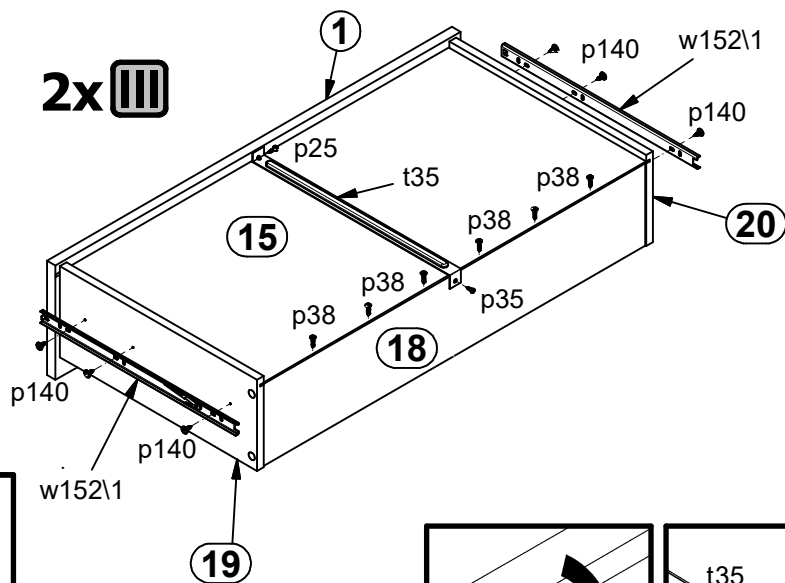
2x I



2x II



2x III



9 §6

