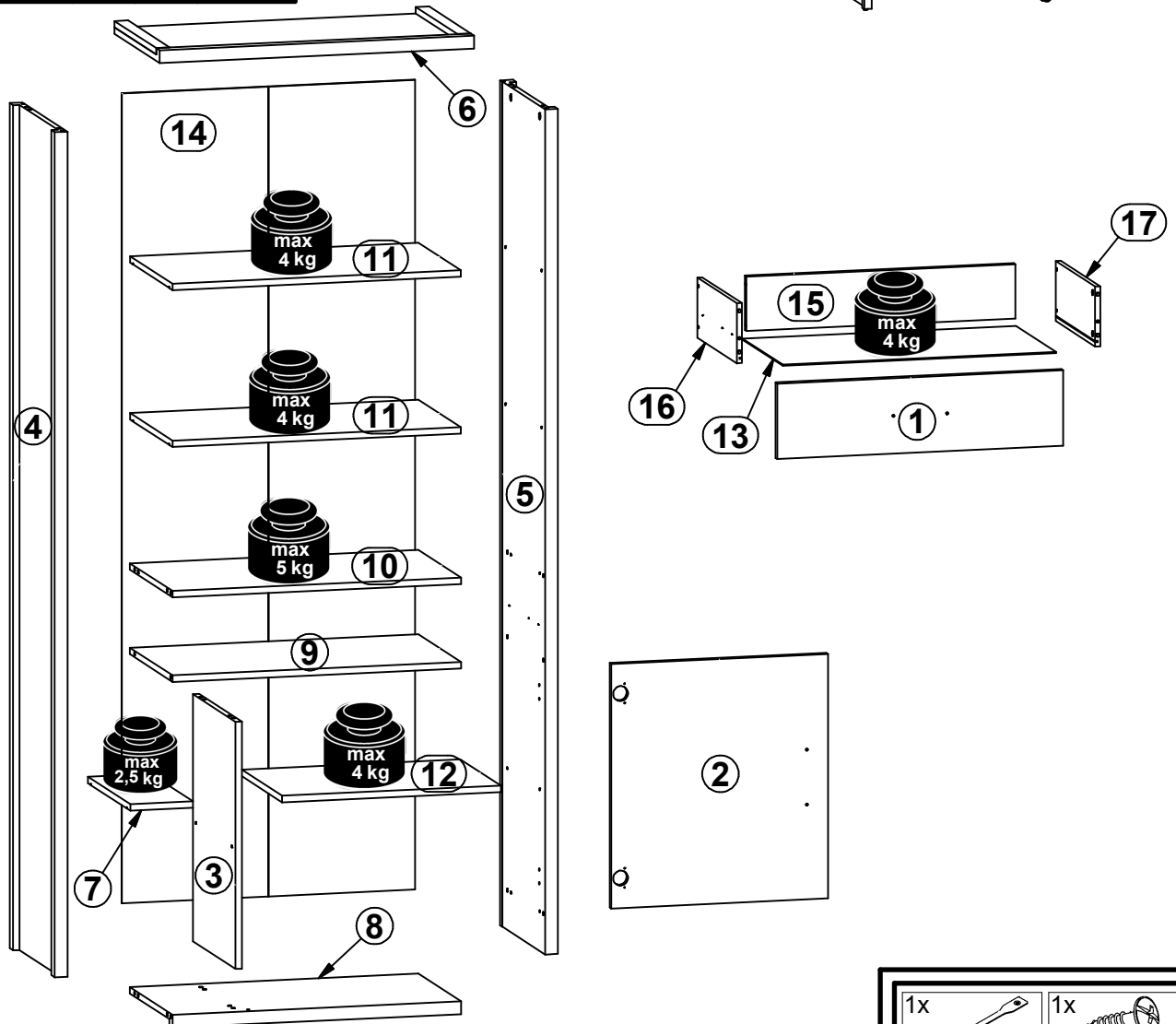
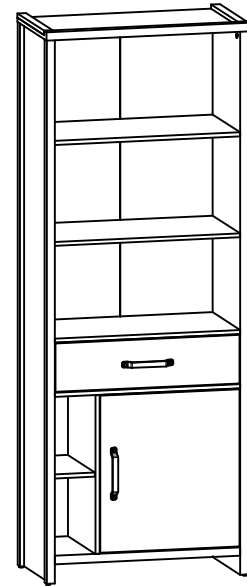
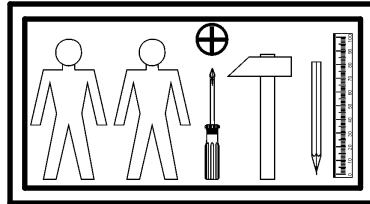
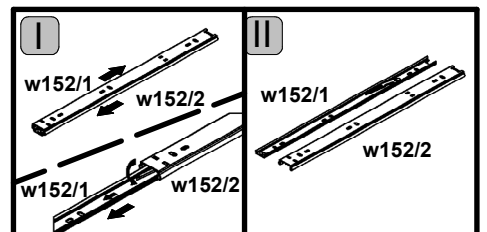
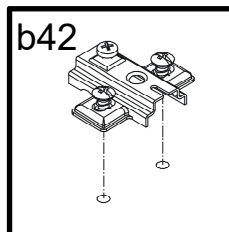
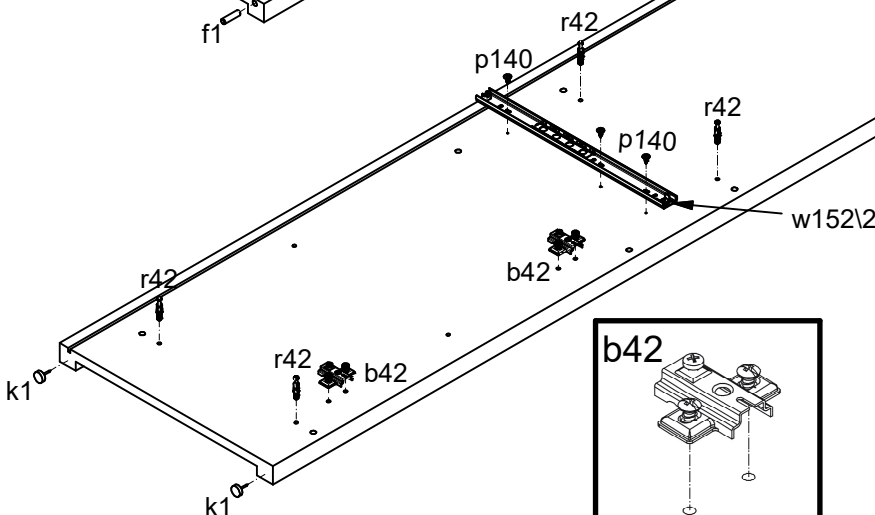
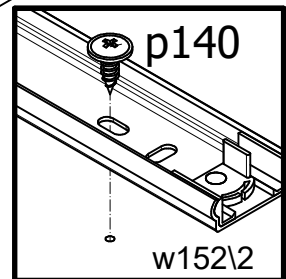
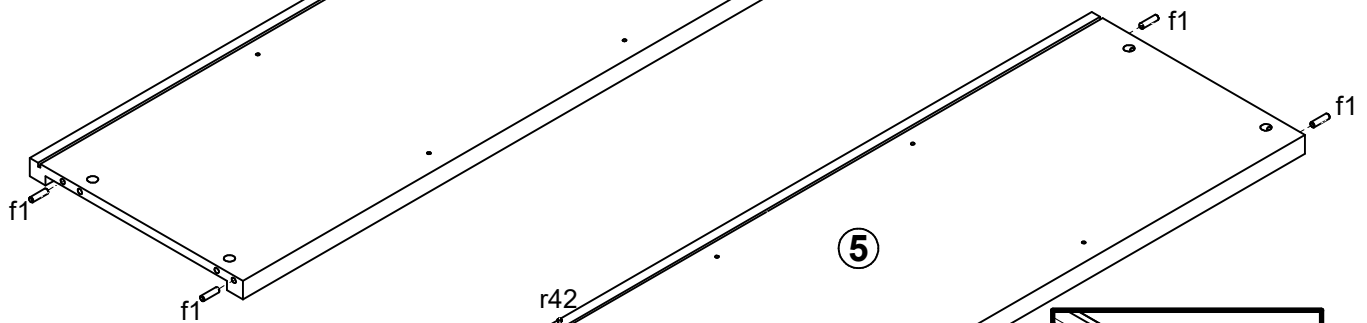
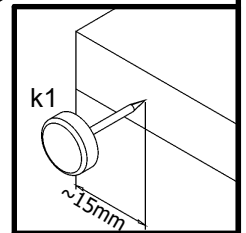
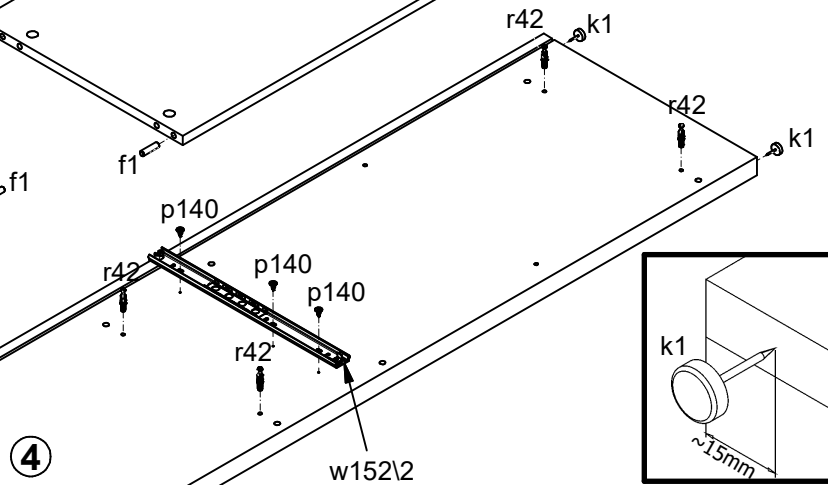
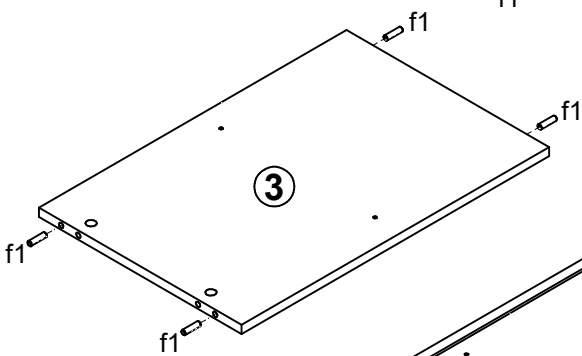
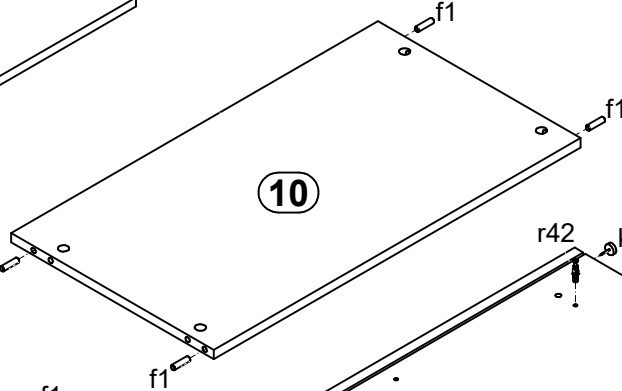
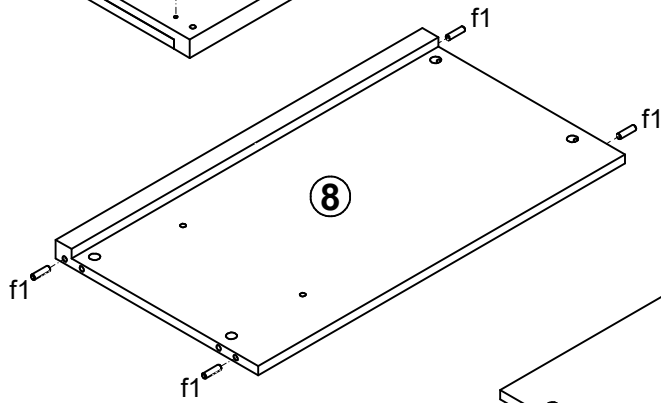
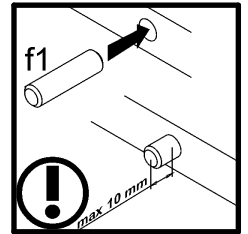
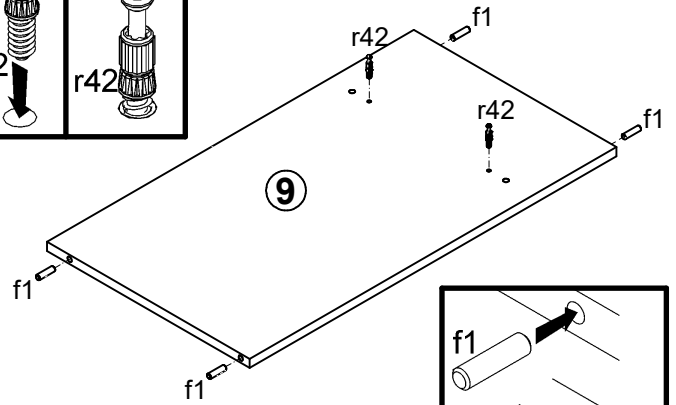
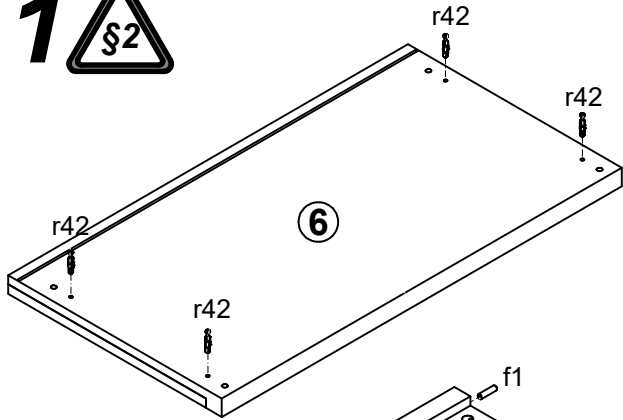
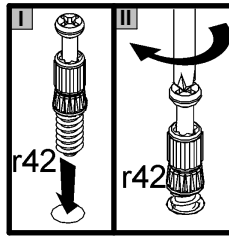


A	B	C	D	
1	S483-0014	680	176	2/2
2	S483-0015	570	515	2/2
3	S483-1023	576	379	1/2
4	S483-1024	1970	399	1/2
5	S483-1025	1970	399	1/2
6	S483-2008	748	400	2/2
7	S483-3016	149	377	2/2
8	S483-3018	686	379	2/2
9	S483-3019	686	379	1/2
10	S483-3020	686	379	1/2
11	S483-3021	685	377	2/2
12	S483-3022	520	360	2/2
13	S483-9007	650	357	2/2
14	S483-9306	1888	697	1/2
15	ZK3-5152	640	127	2/2
16	ZK3-511	350	140	2/2
17	ZK3-512	350	140	2/2

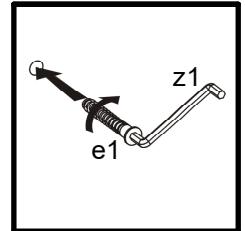
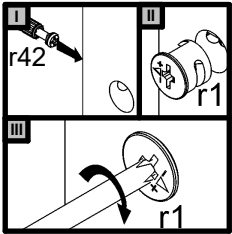
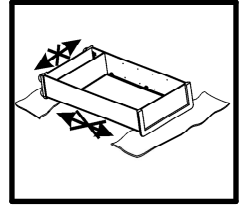
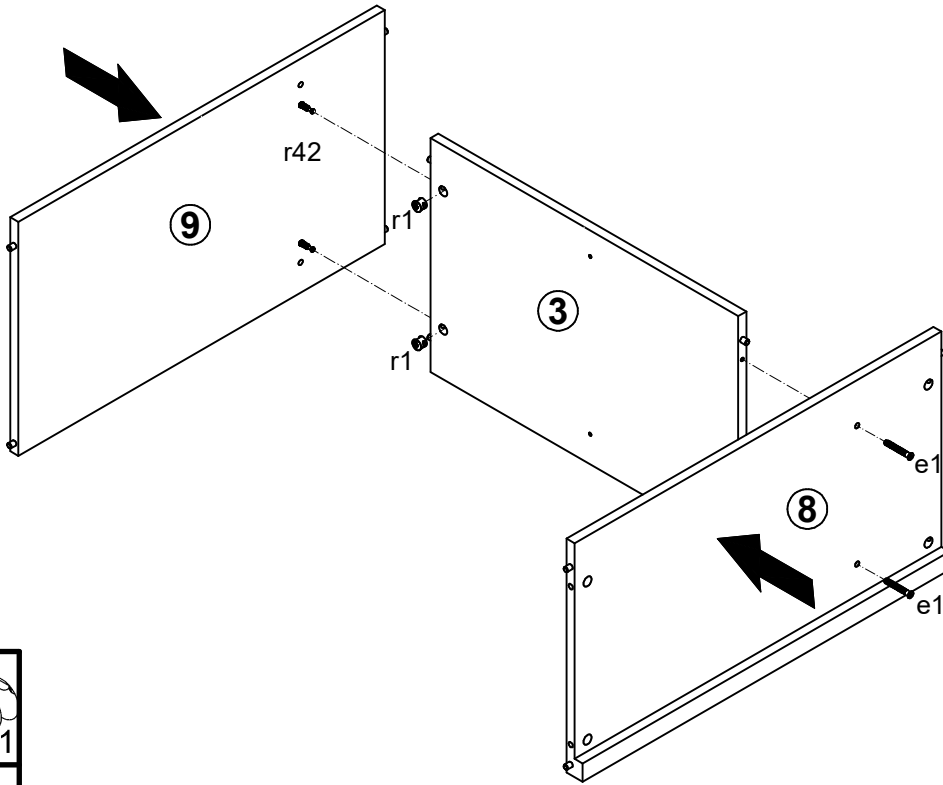


1x n26	1x Ø3.5x16 mm p38
2x K18 Ø35 a172	2x b42
2x 128 mm c511/1	16x Ø5x17 mm d1
1x Ø6.3x15 mm d5	2x Ø7x50 mm e1
20x Ø8x30 mm f1	2x Ø6x30 mm f9
4x Ø15x12 mm #16 r1	4x Ø12x10.5 mm #12 r15
4x k1	11x l2
1x Ø3.5x16 mm p25	1x Ø3.5x10 mm p35
1x 350 mm t35	2x 350/580 mm w152/1
6x Ø3.5x16 mm p38	4x Ø3.5x15 mm p51
6x Ø2.9x16 mm p55	4x Ø4x22 mm p60
12x Ø3.5x12 mm p140	18x 20/11 r42
2x 350/580 mm w152/2	2x s68
6x Ø 20mm	1x 4 mm z1

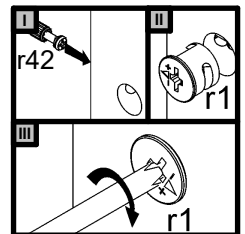
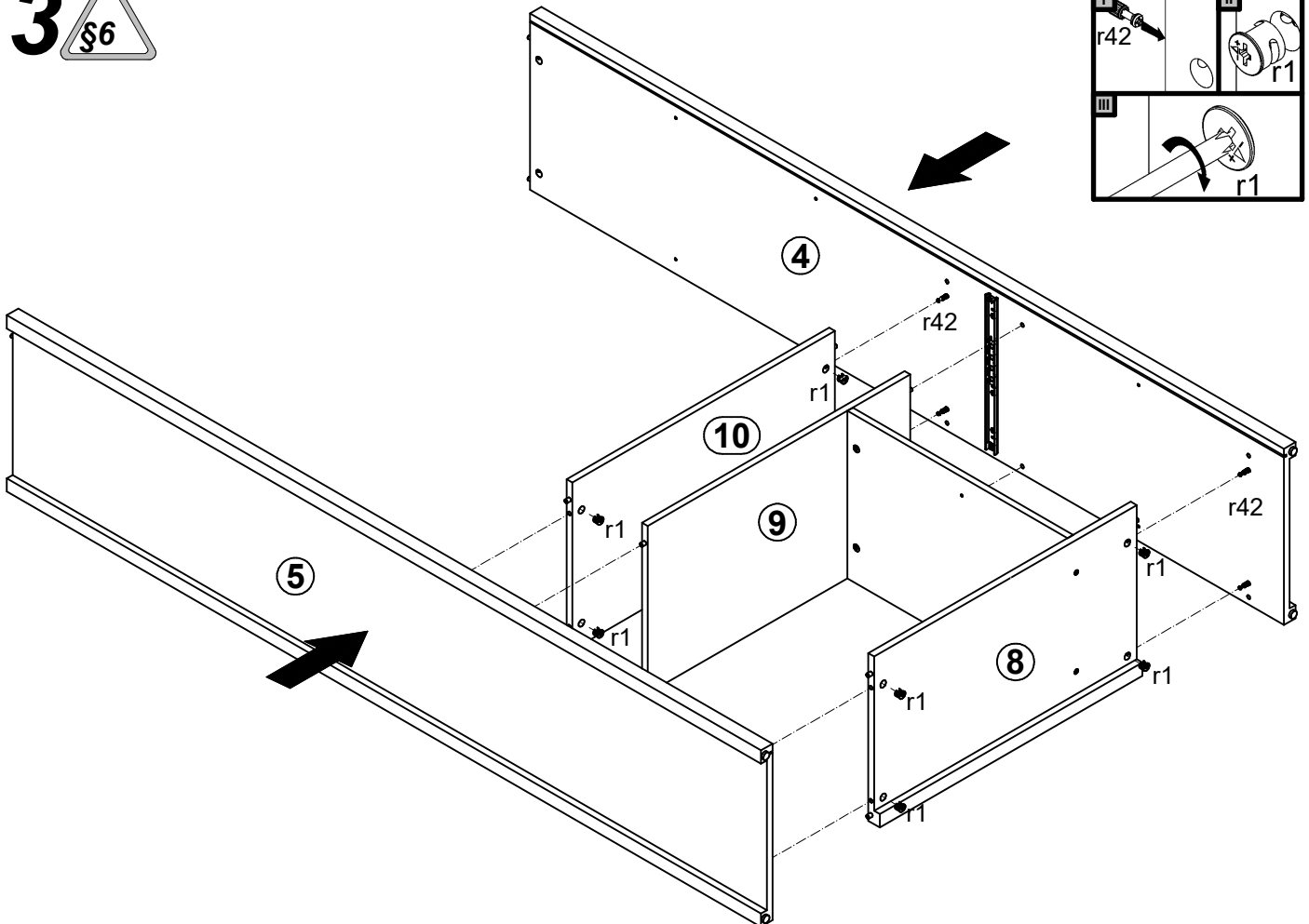
1 

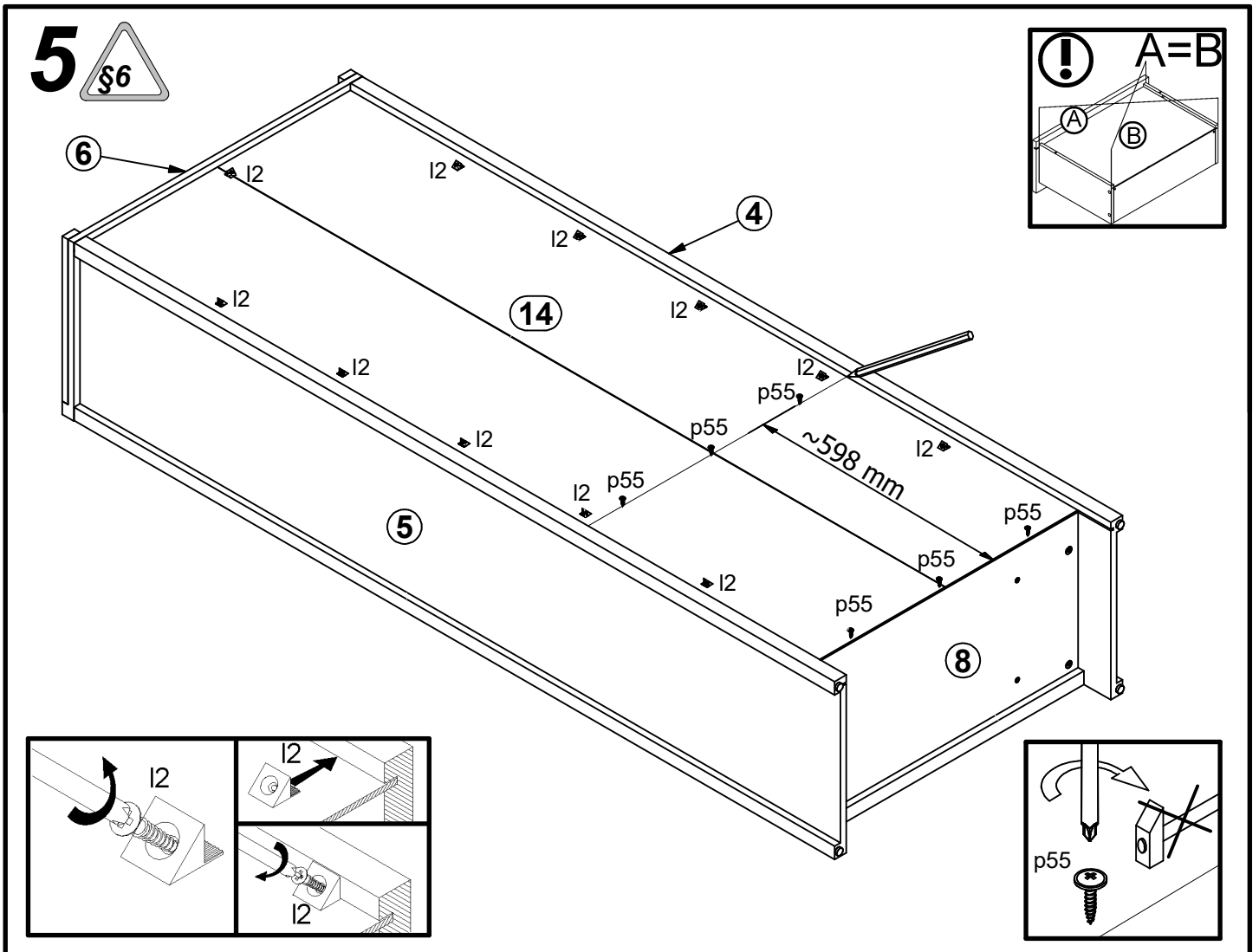
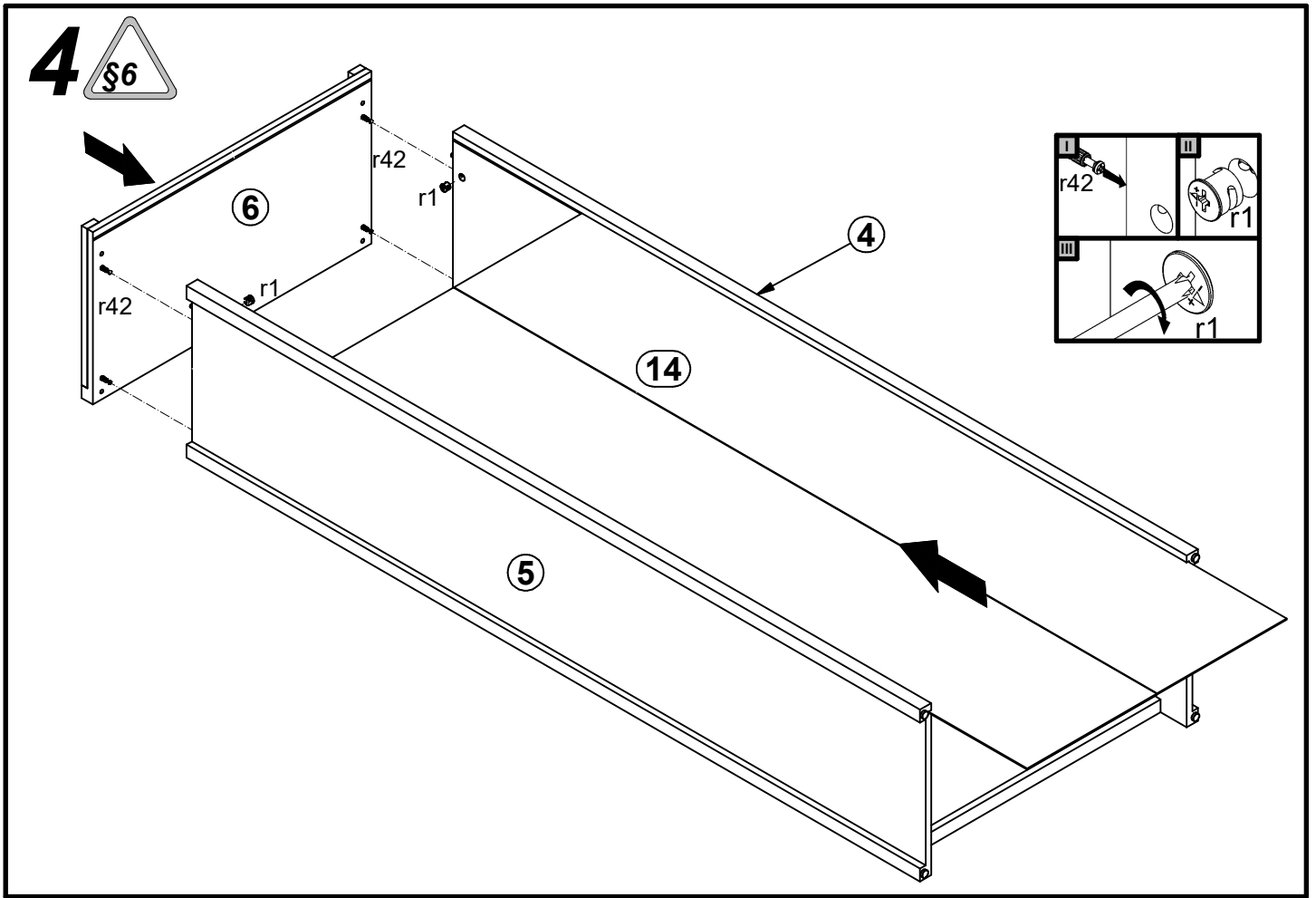


2 §6



3 §6

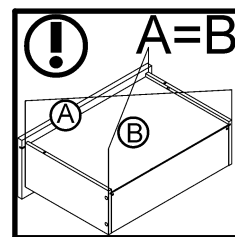
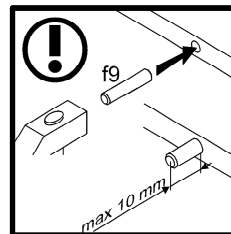
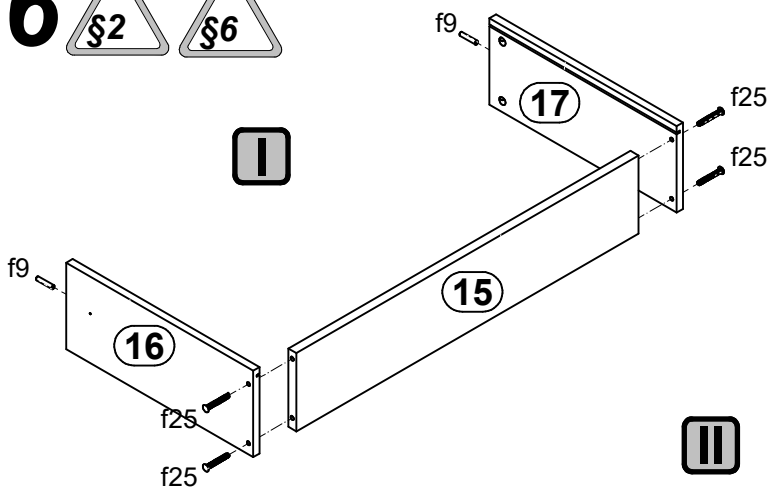




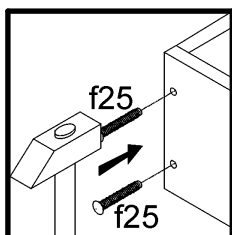
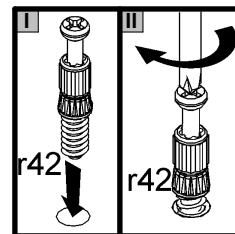
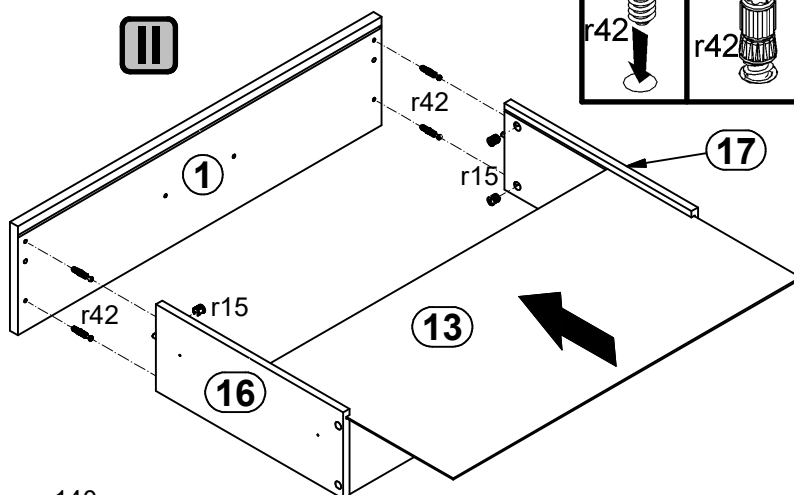
6



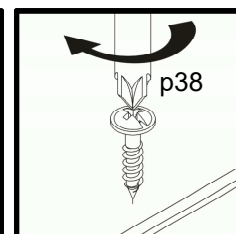
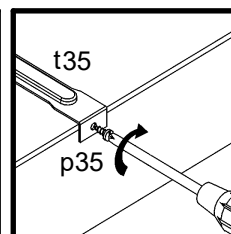
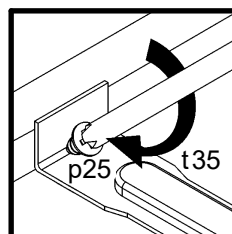
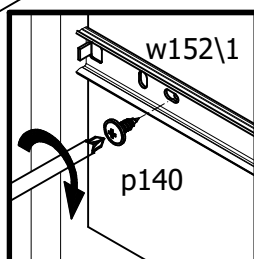
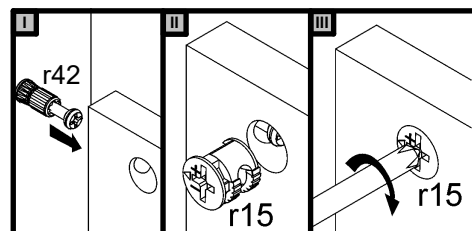
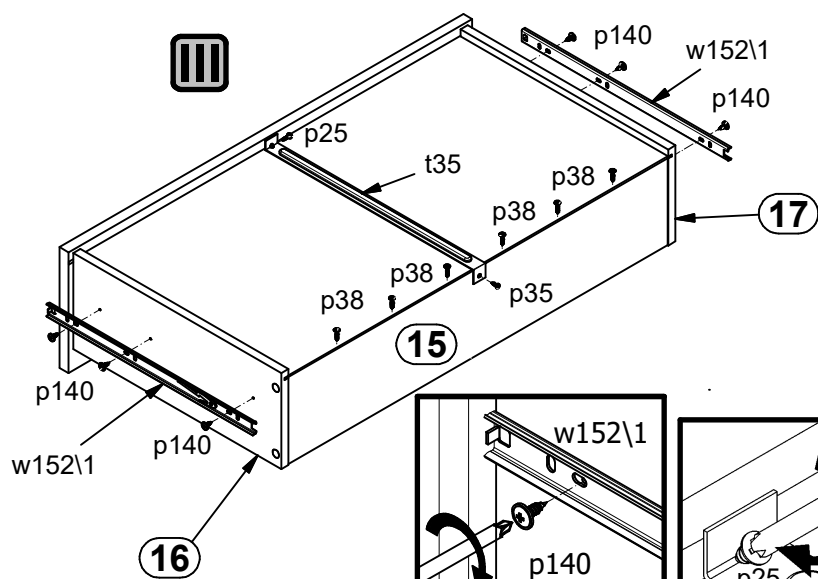
I



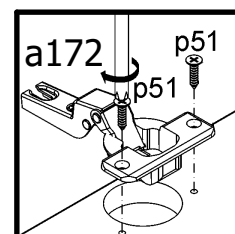
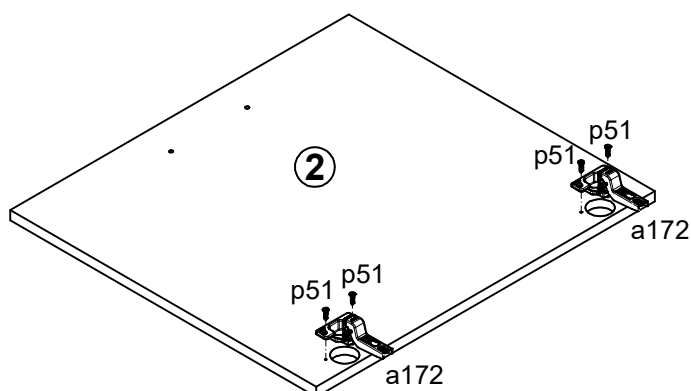
II



III



7



8

