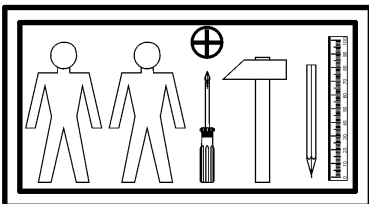
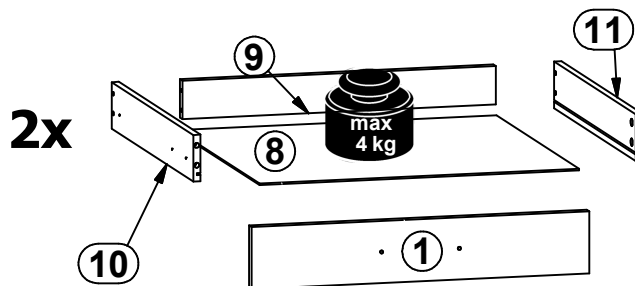
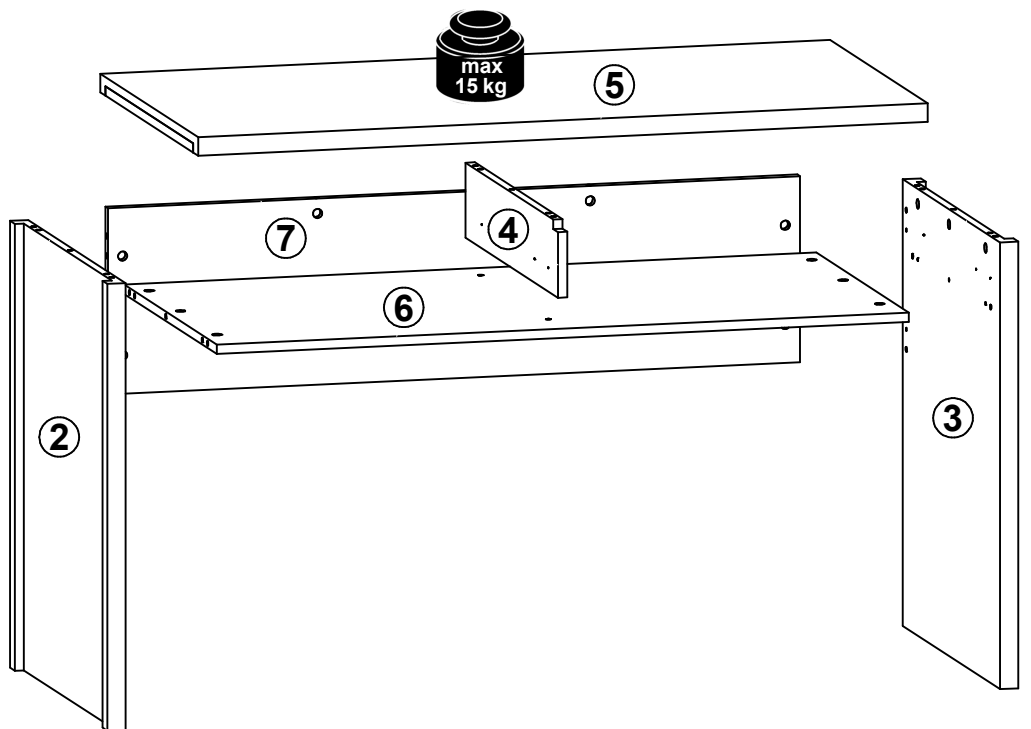
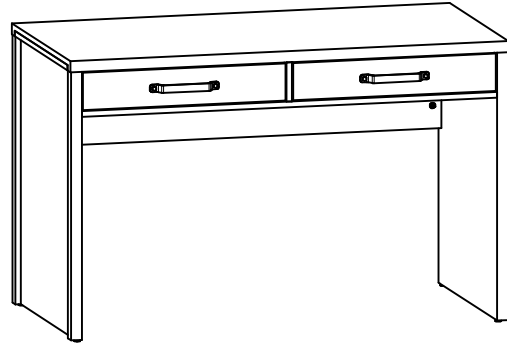
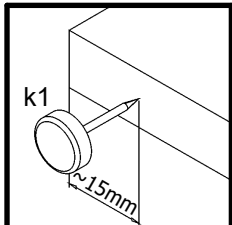
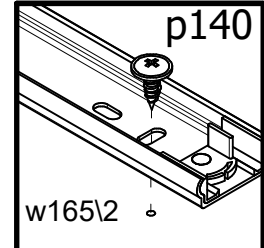
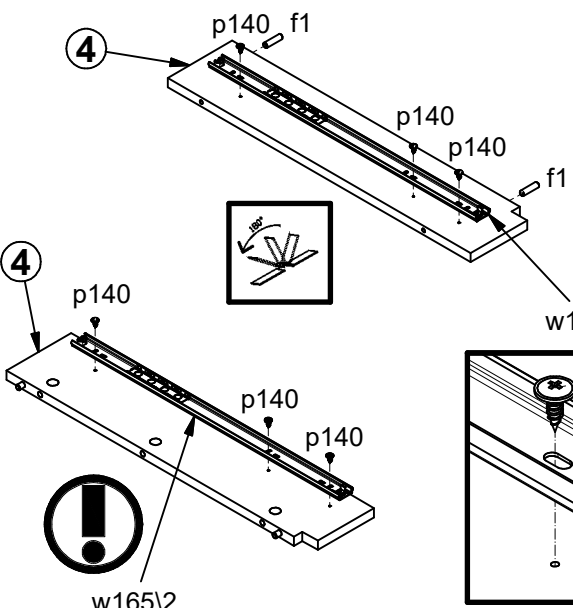
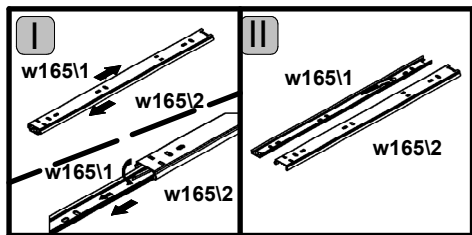
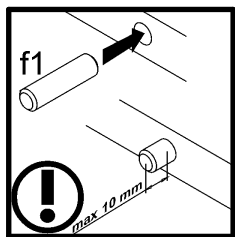
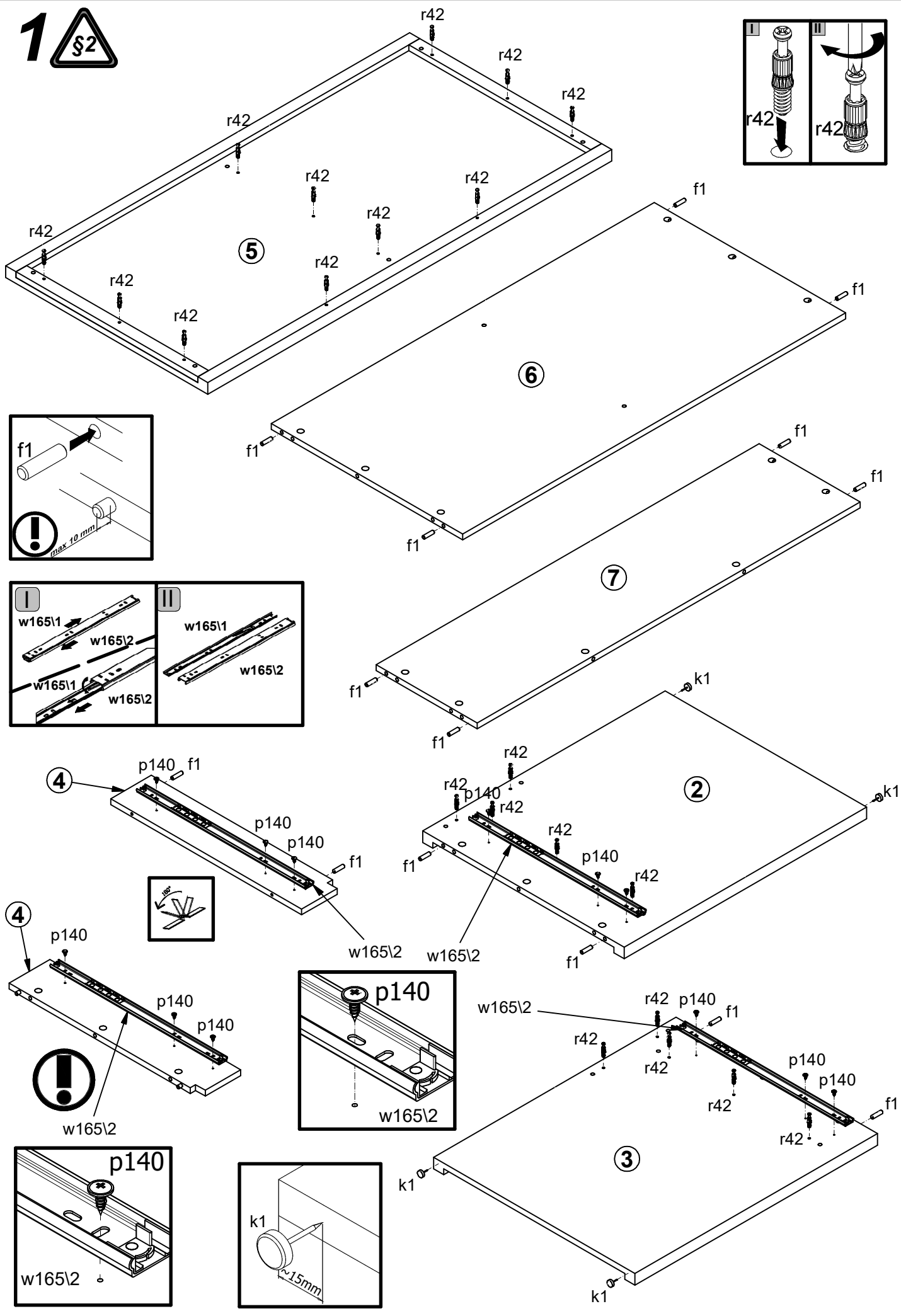
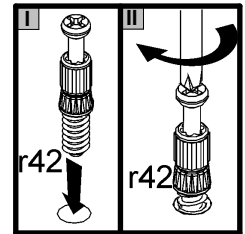


A	B	C	D	
1	S483-0001	555	100	2/2
2	S483-1001	720	598	1/2
3	S483-1002	720	598	1/2
4	S483-1003	121	567	2/2
5	S483-2001	1199	600	2/2
6	S483-3001	1137	568	2/2
7	S483-4001	1137	300	2/2
8	S483-9001	525	507	2/2
9	S483-5001	515	62	2/2
10	ZK3-531	500	75	2/2
11	ZK3-532	500	75	2/2

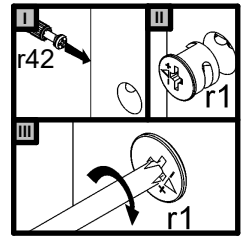
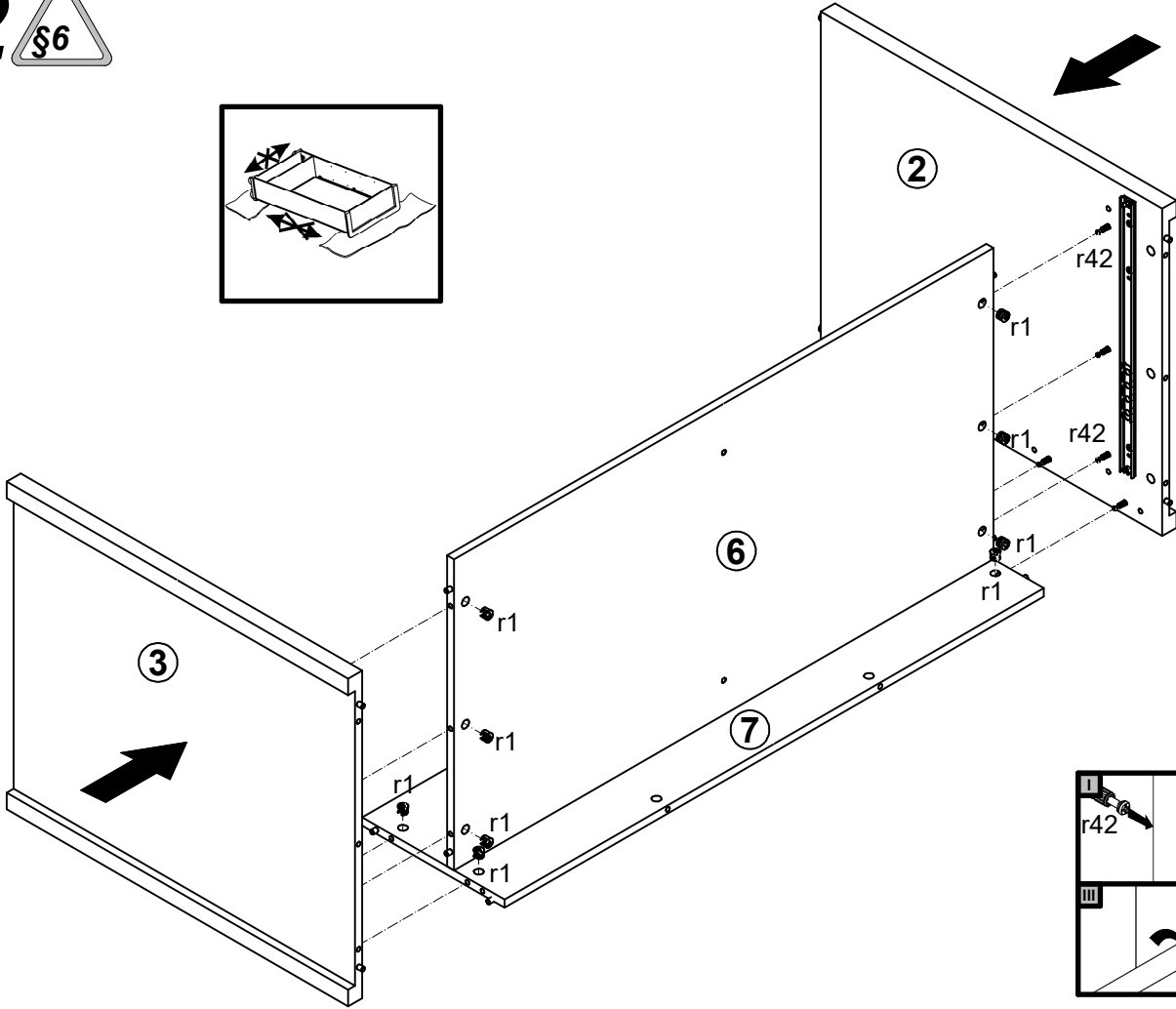
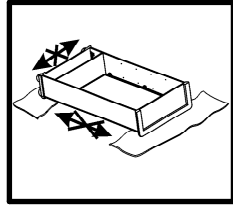


2x 128 mm c51111	2x Ø7x50 mm e1	8x Ø6x45 mm e38	14x Ø8x30 mm f1	4x k1	2x Ø3.5x16 mm p25	2x Ø3.5x10 mm p35	12x Ø3.5x16 mm p38	4x Ø4x22 mm p60
24x Ø3.5x12 mm p140	21x Ø15x12 mm #16 r1	8x Ø12x10.5 mm #12 r15	29x 20/11 r42	2x 500 mm t34	4x 500/820 mm w16511	4x 500/820 mm w16512	2x Ø20mm s68	1x 4 mm z1

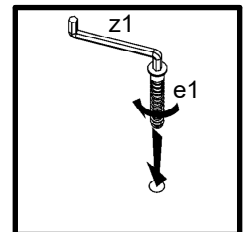
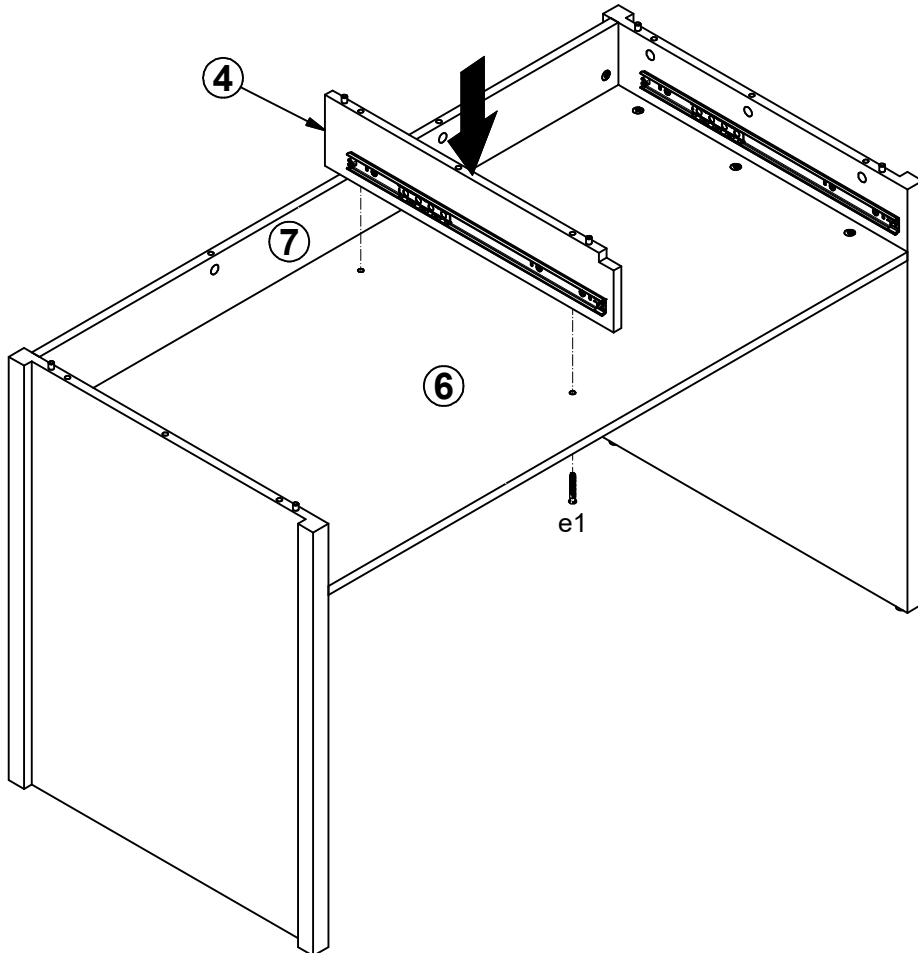
1

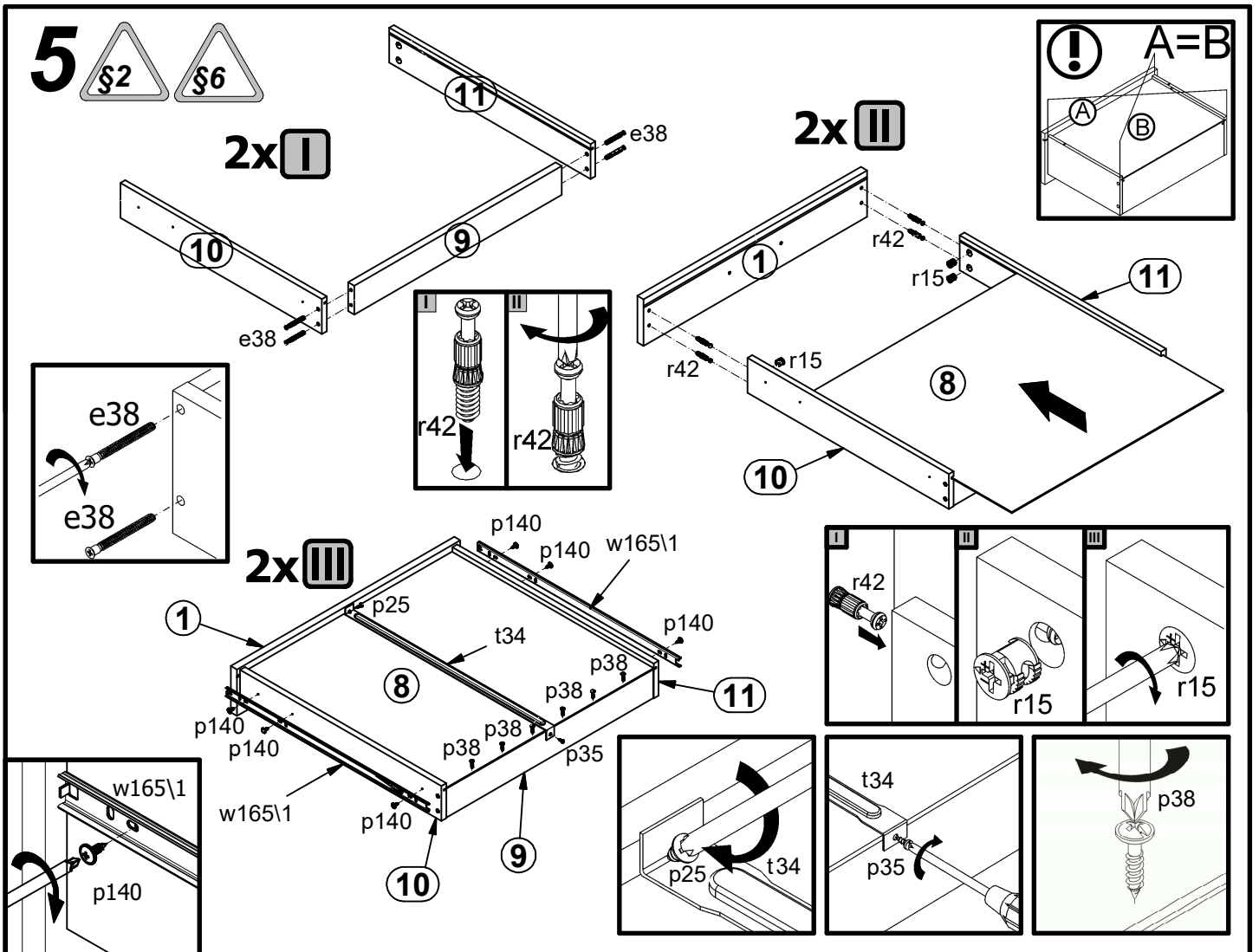
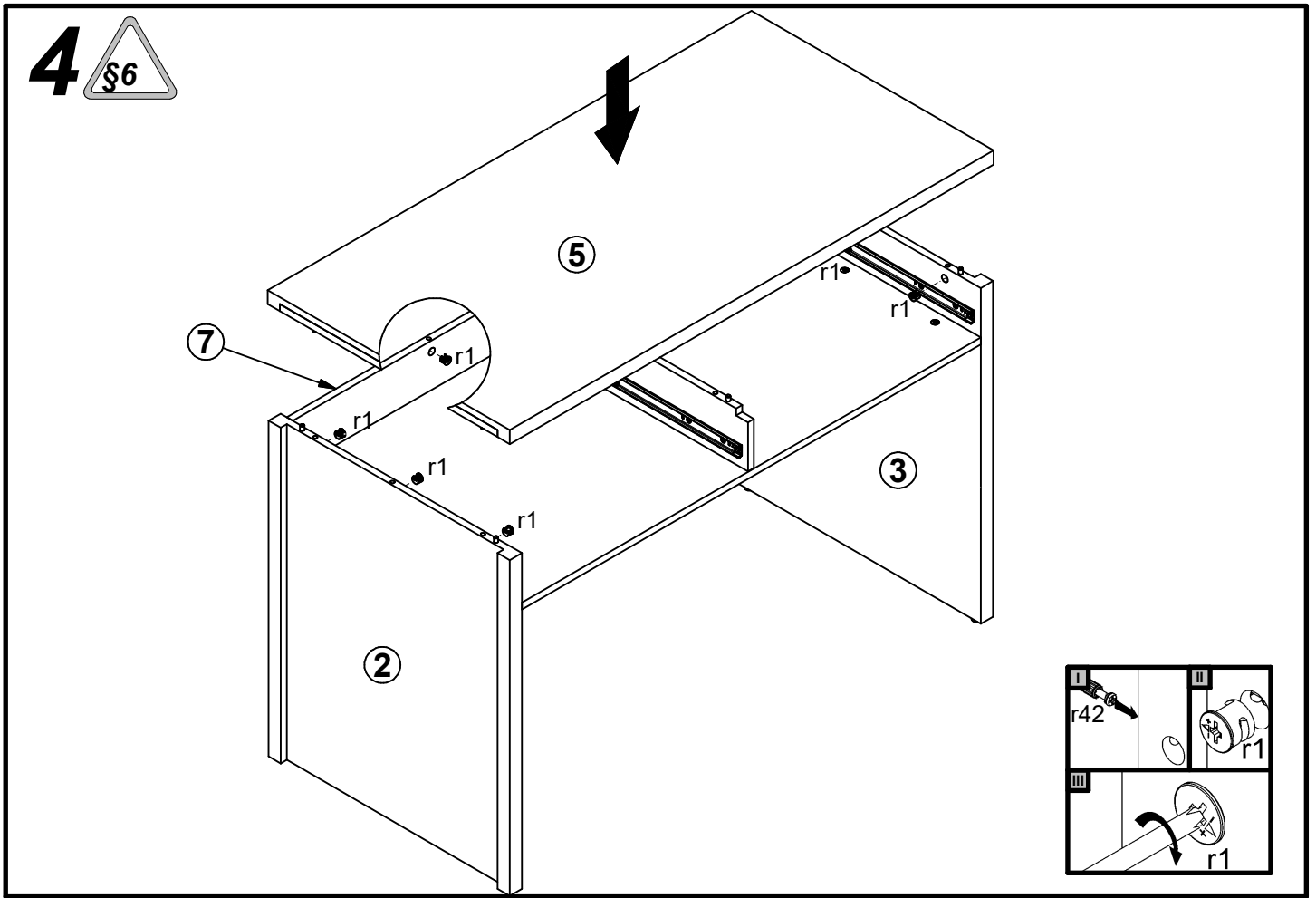


2 



3 





6 

