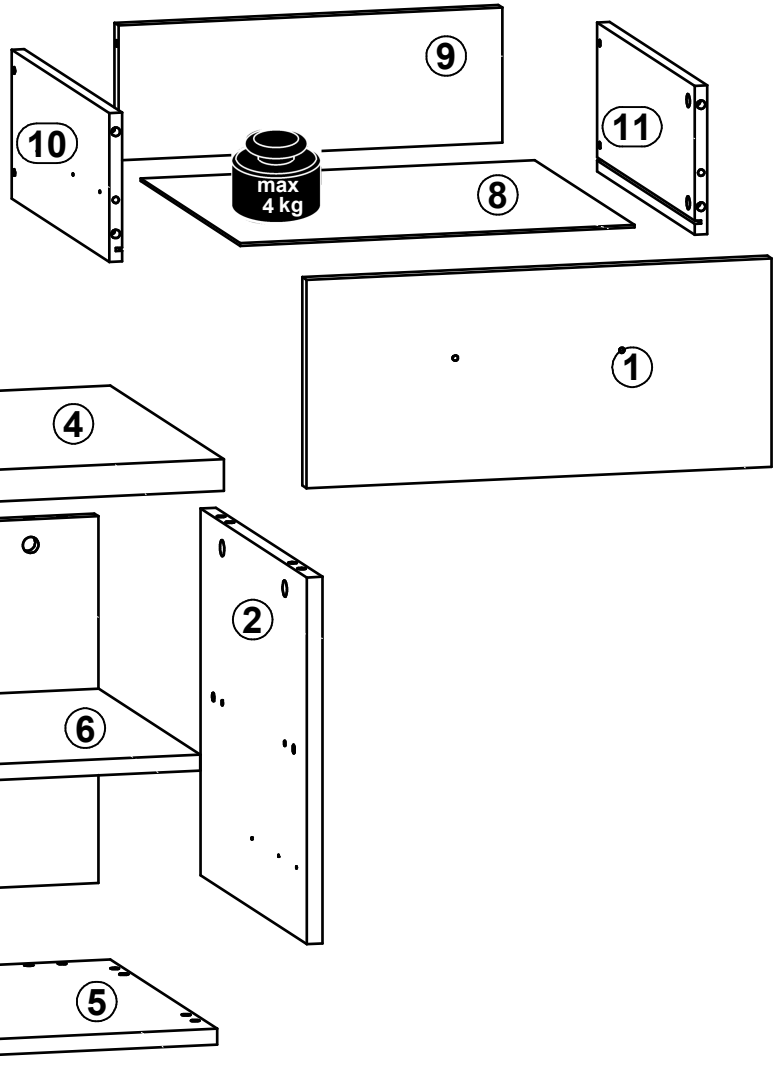
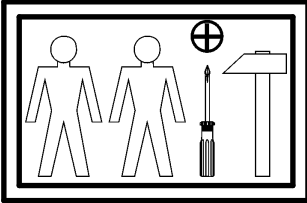
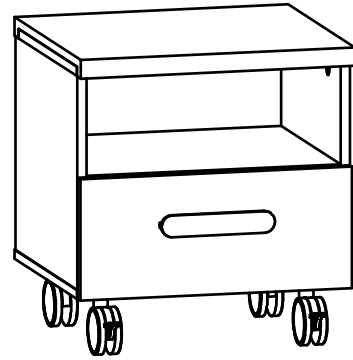
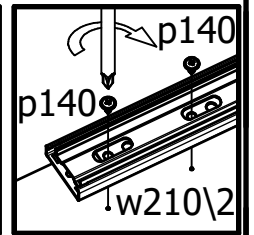
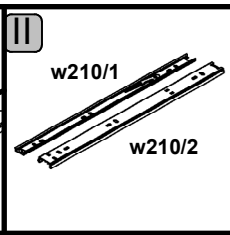
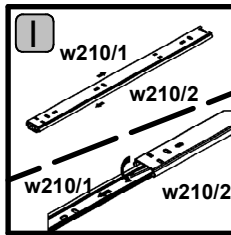
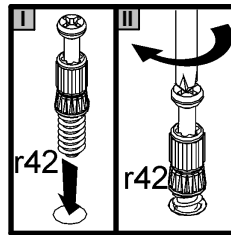
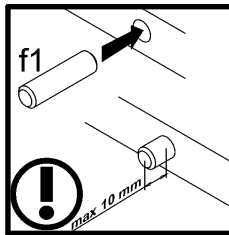
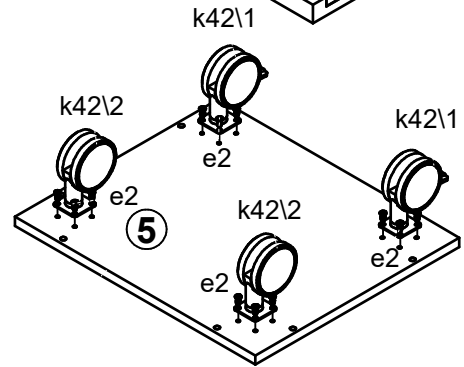
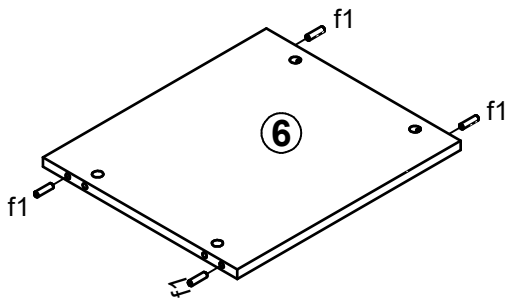
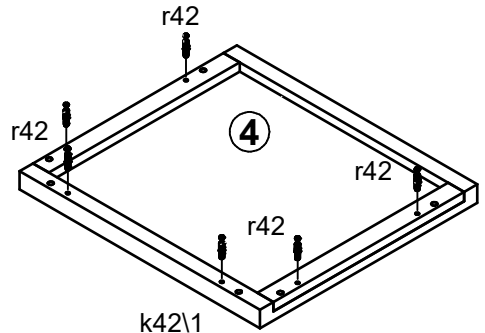
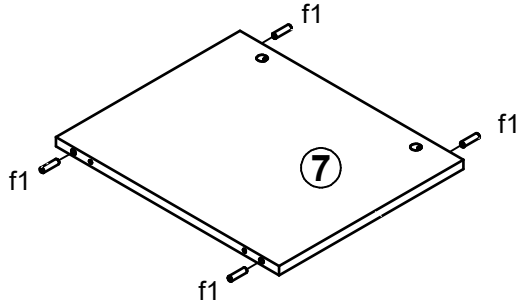
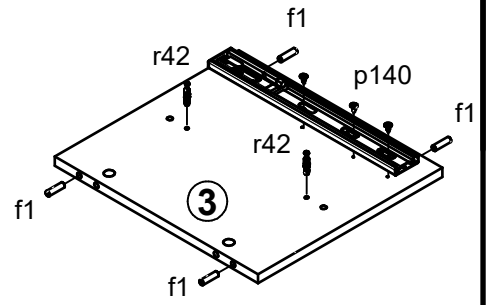
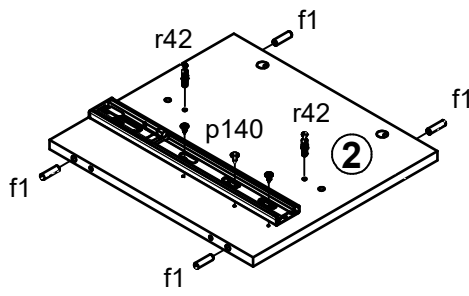
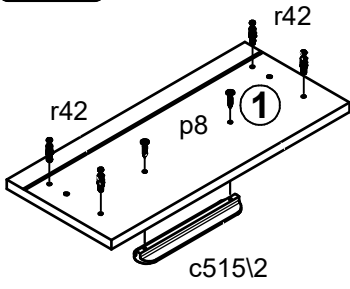


A	B	C	D
1	S464-0014	446	196 1/1
2	S464-1017	345	381 1/1
3	S464-1018	345	381 1/1
4	S464-2009	450	407 1/1
5	S464-2010	450	382 1/1
6	S464-3017	418	364 1/1
7	S464-5001	345	418 1/1
8	S464-9007	378	357 1/1
9	ZK3-5022	368	127 1/1
10	ZK4-513	350	140 1/1
11	ZK4-514	350	140 1/1

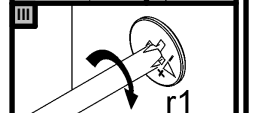
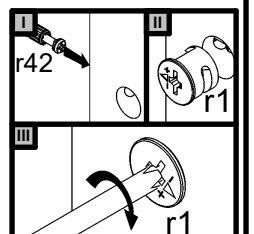
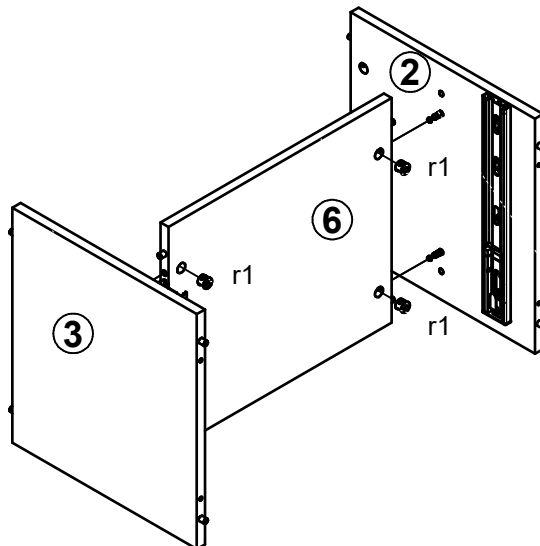


1x 180mm c515/2	6x Ø7x50 mm e1	16x Ø6.3x13 mm e2	16x Ø8x30 mm f1	2x Ø6x30 mm f9	4x Ø6.5x40 mm f25	2x Ø75.5 mm k42/1	2x Ø75.5 mm k42/2	2x Ø4x25 mm p8
3x Ø3.5x16 mm p38	12x Ø3.5x12 mm p140	10x Ø15x12 mm #16 r1	4x Ø12x10.5 mm #12 r15	14x 20/11 r42	2x L-350 mm w210/1	2x L-350 mm w210/2	6x Ø 20mm s68	1x 4 mm z1

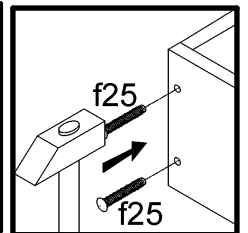
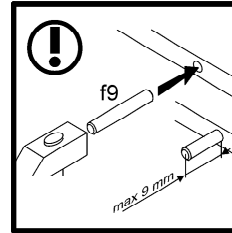
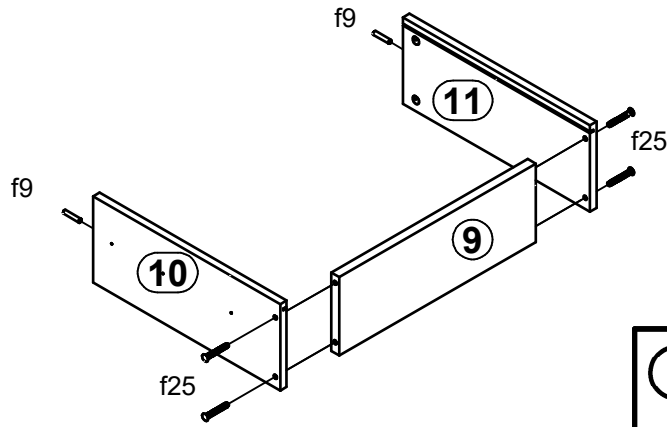
1



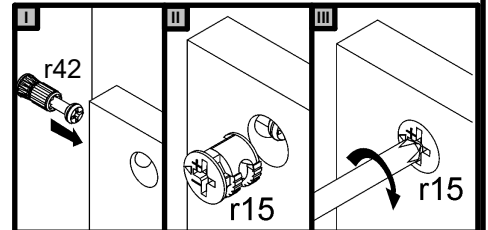
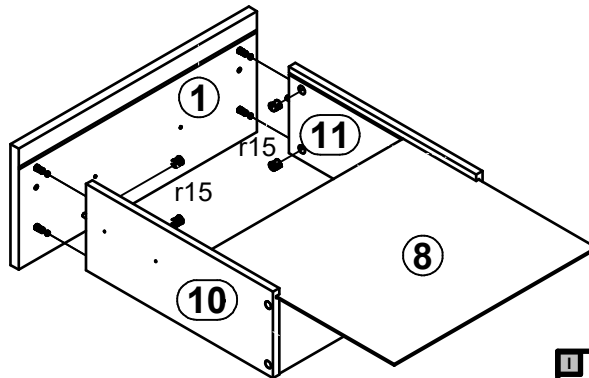
2



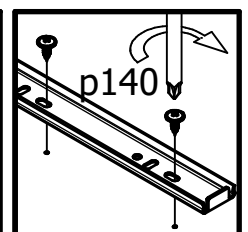
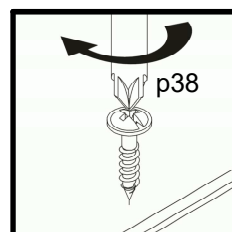
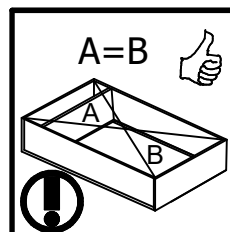
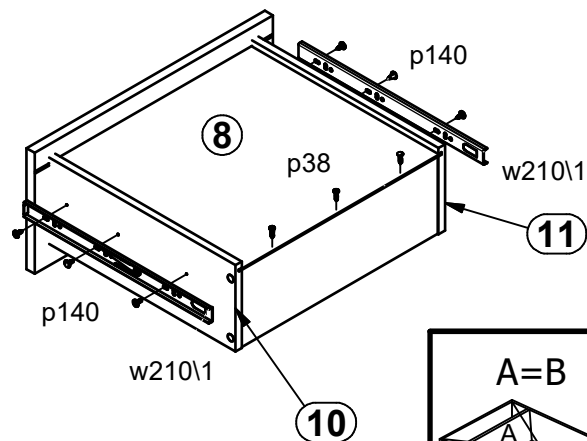
3



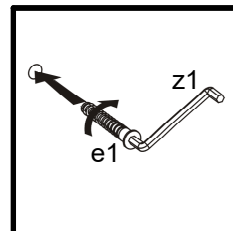
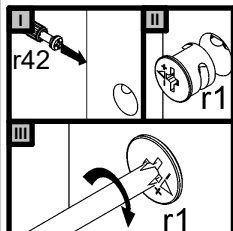
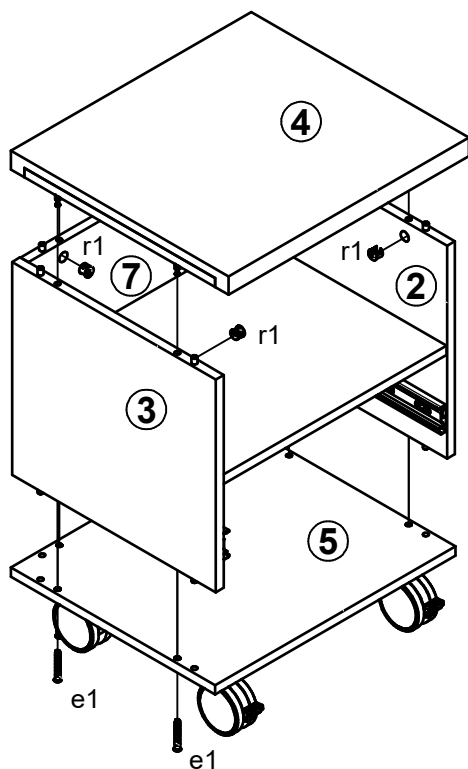
4



5



6



7

