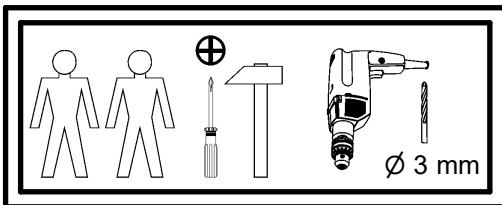
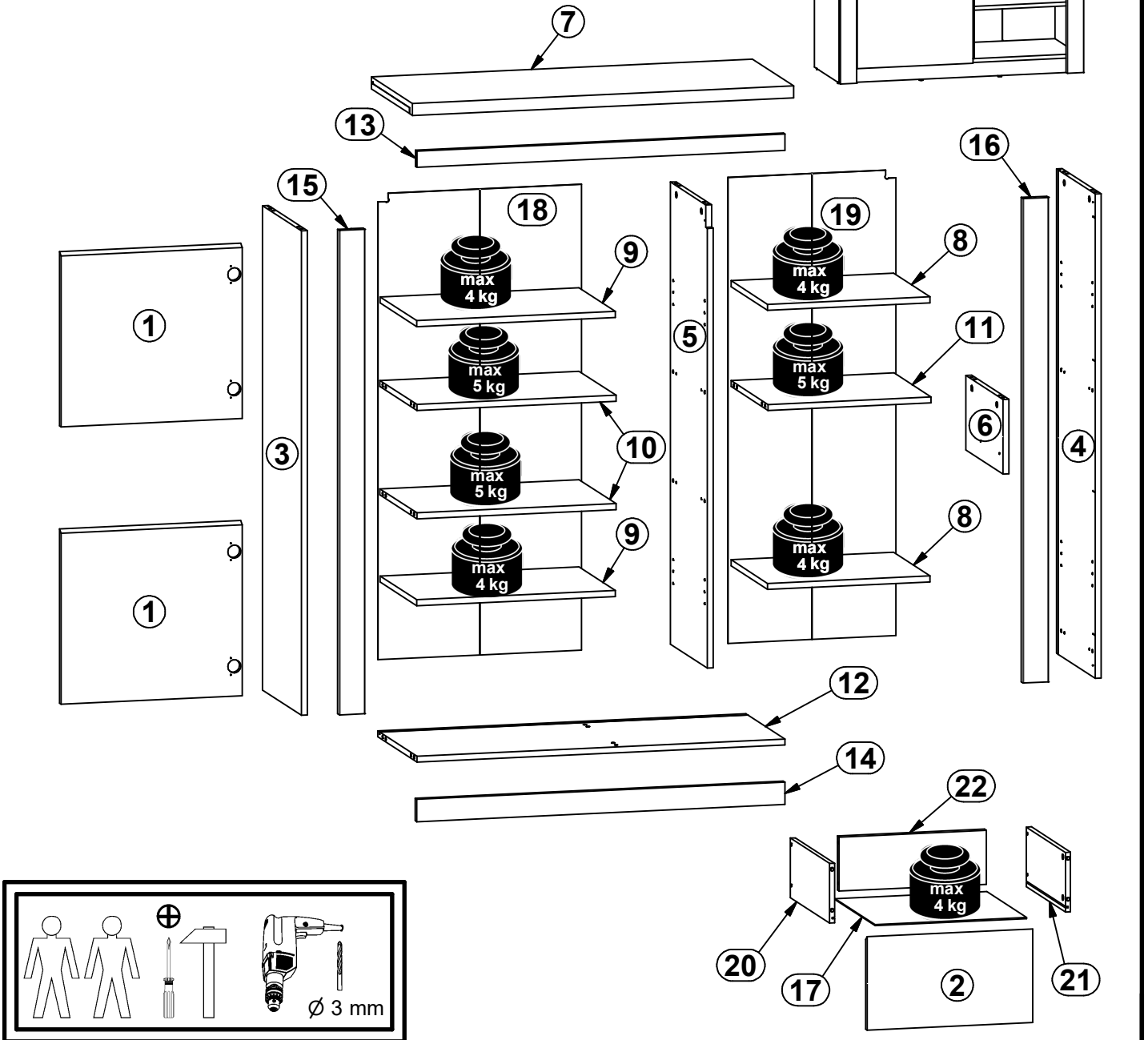
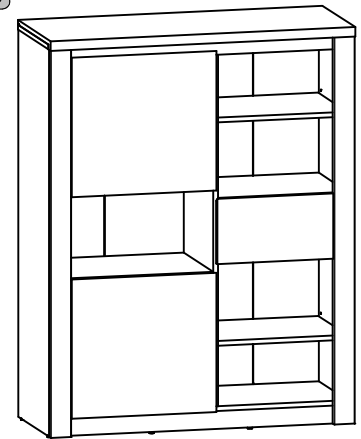
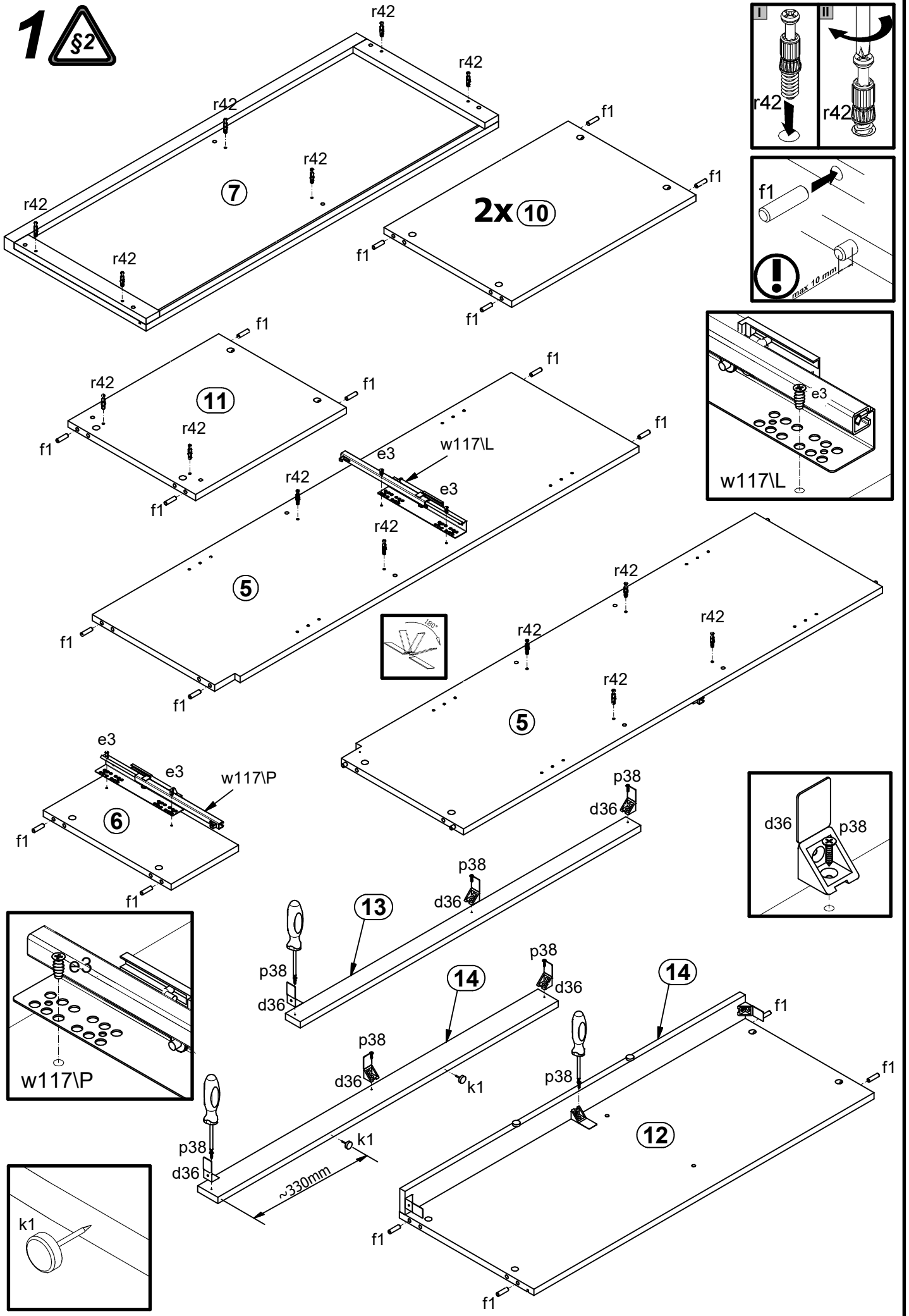


A	B	C	D	A	B	C	D		
1	S486-0010	468	496	1/3	12	S486-3044	1007	398	3/3
2	S486-0011	396	220	1/3	13	S486-4012	1007	44	2/3
3	S486-1022	1300	398	2/3	14	S486-4013	1007	60	2/3
4	S486-1023	1300	398	2/3	15	S486-5009	1300	70	2/3
5	S486-1024	1240	378	2/3	16	S486-5010	1300	70	2/3
6	S486-1025	200	378	3/3	17	S486-9002	363	357	2/3
7	S486-2005	1043	420	3/3	18	S486-9312	1250	557	2/3
8	S486-3003	445	373	1/3	19	S486-9313	1250	459	2/3
9	S486-3020	544	373	1/3	20	ZQ6-511	350	140	3/3
10	S486-3021	545	378	1/3	21	ZQ6-512	350	140	3/3
11	S486-3023	446	378	1/3	22	ZQ6-5157	353	127	3/3

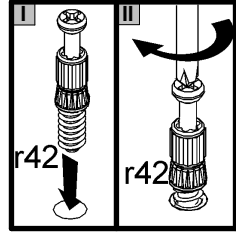
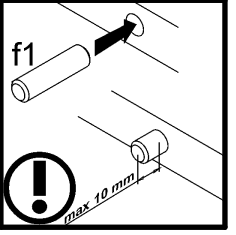
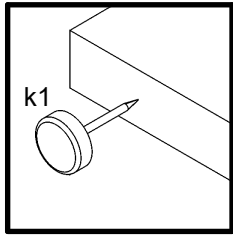
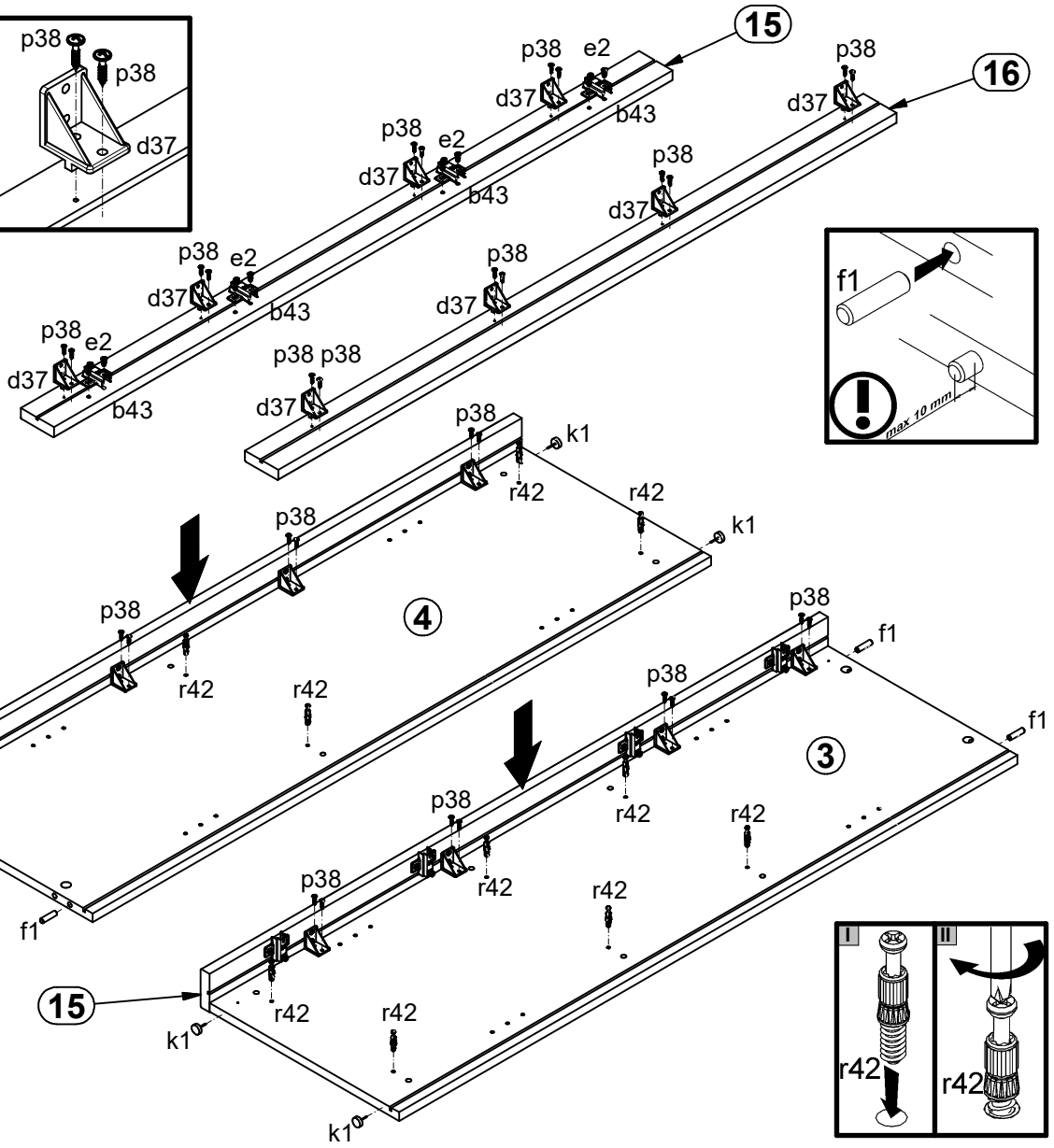
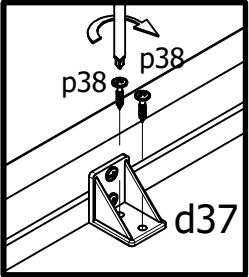
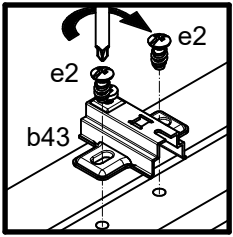
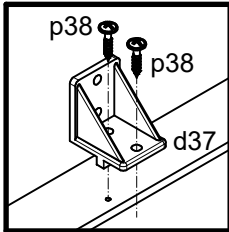


2x a133	4x a132	4x b43	16x Ø5x17 mm d1	6x d36	8x d37	2x Ø7x50 mm e1	8x Ø6,3x13 mm e2	4x Ø6x13 mm e3
26x Ø8x30 mm f1	4x Ø6,5x40 mm f25	6x k1	14x 22x9,5x20,7 mm l2	6x n108	44x Ø3,5x16 mm p38	8x Ø3,5x15 mm p51	16x Ø2,9x16 mm p55	24x Ø15x12 mm #16 r1
4x Ø12x10,5 mm #12 r15	28x 20/11 r42	1x 350 mm W117/L W117/L	1x 350 mm W117/P W117/P	10x Ø 20mm s68	1x 4 mm z1	1x Ø3,5x16 mm p38	1x n26	

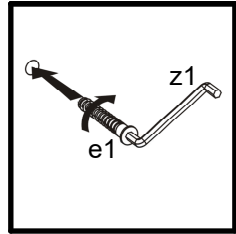
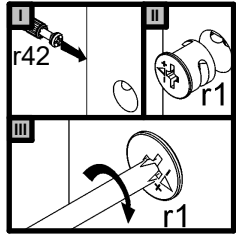
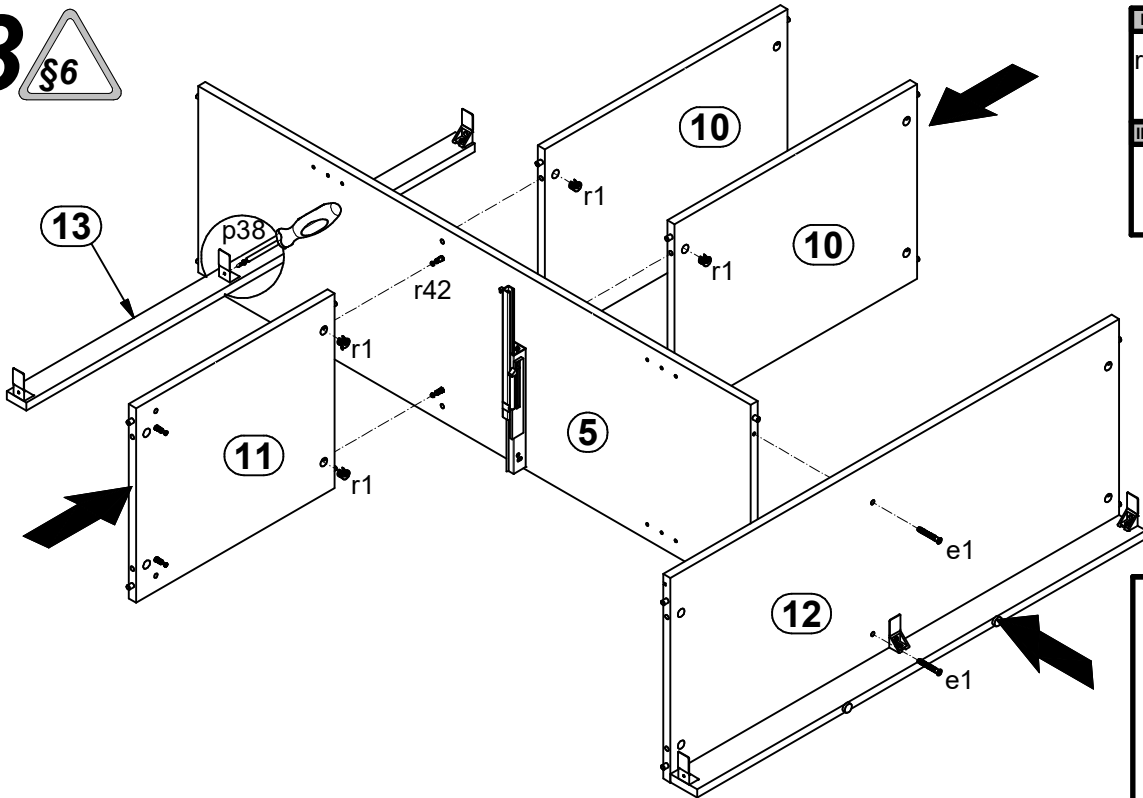
1 



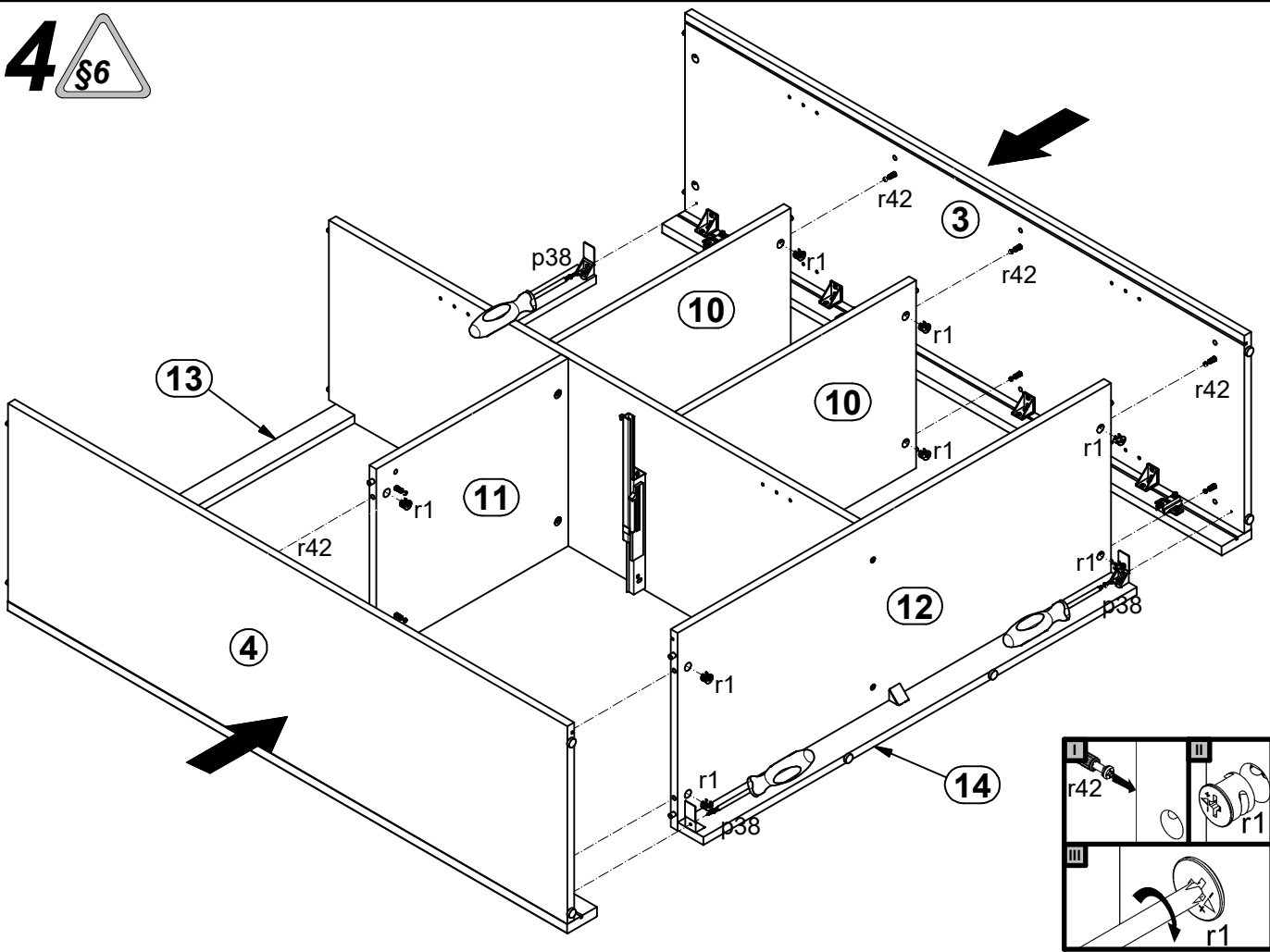
2



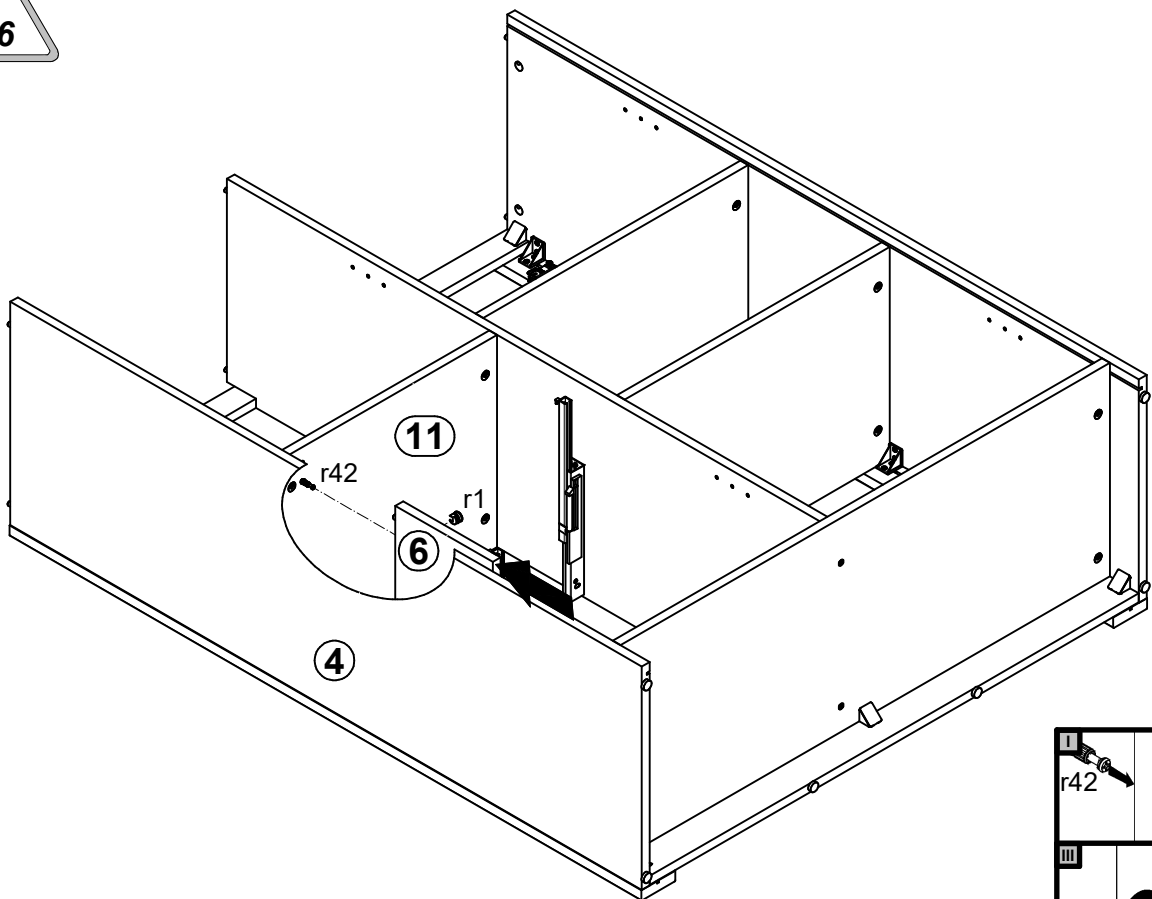
3



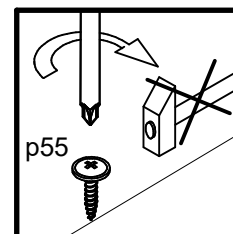
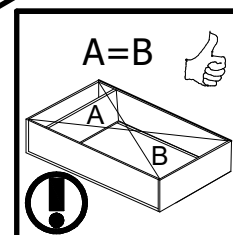
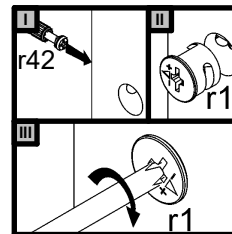
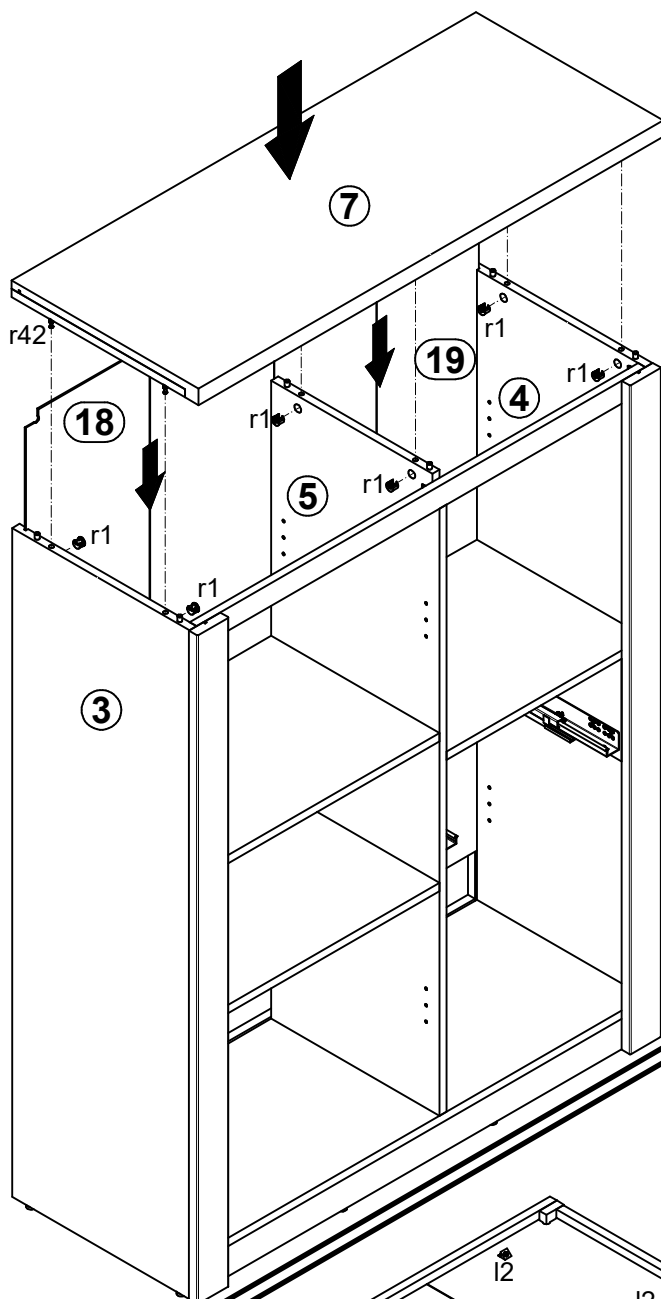
4 §6



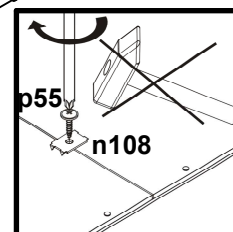
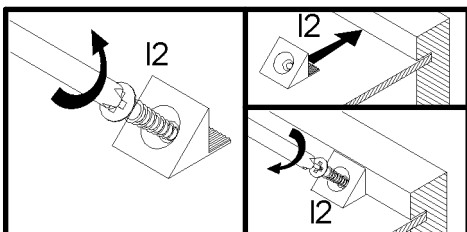
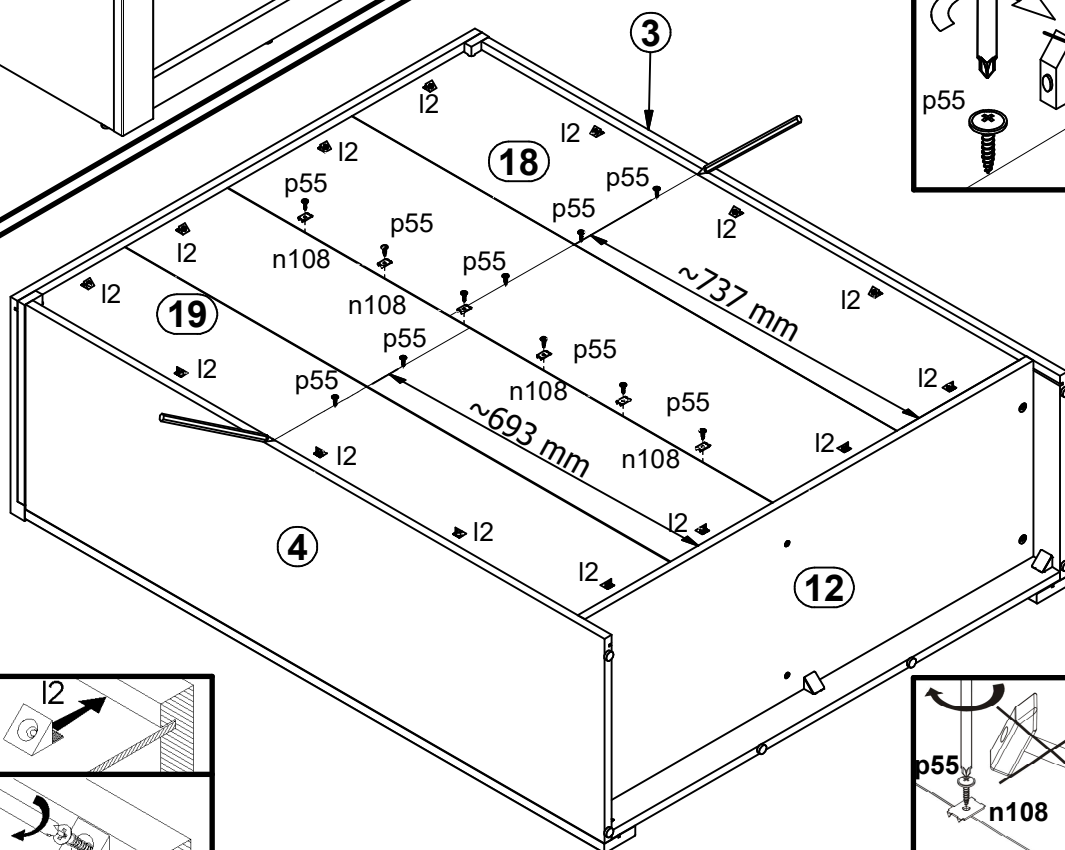
5 §6



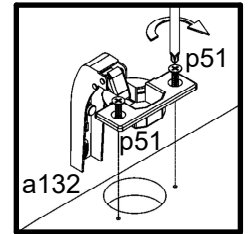
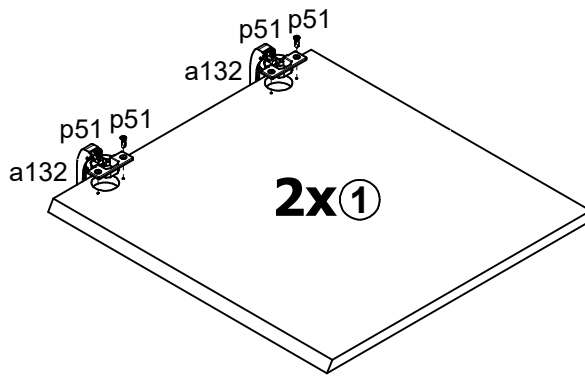
6 §6



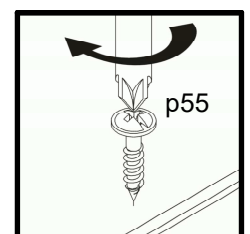
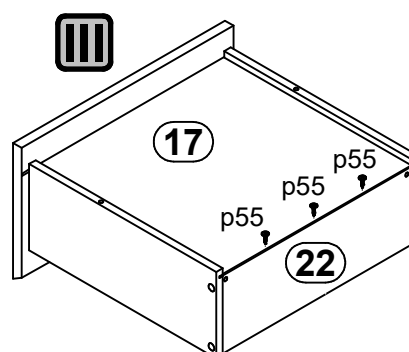
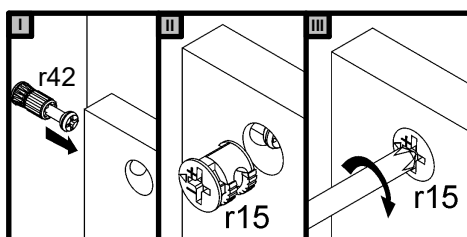
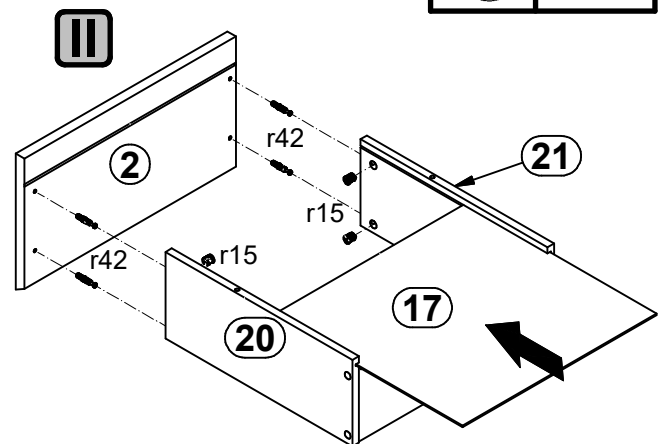
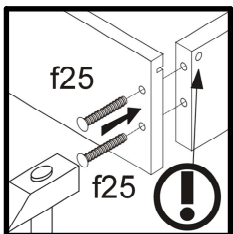
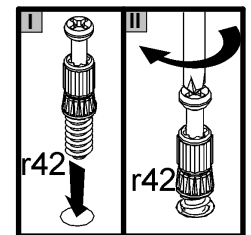
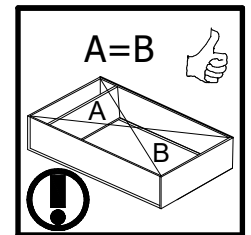
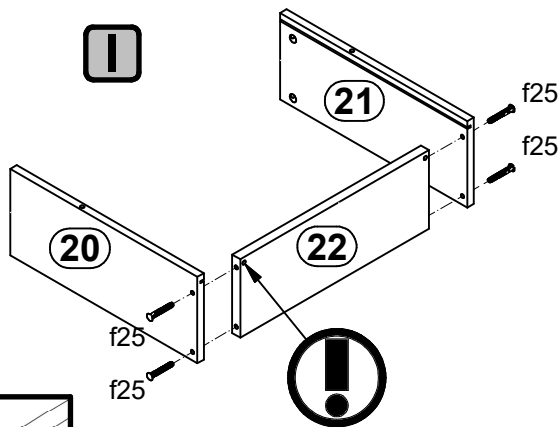
7 §6



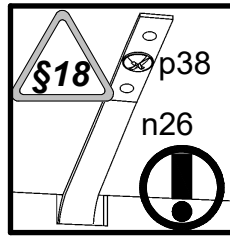
8 §2



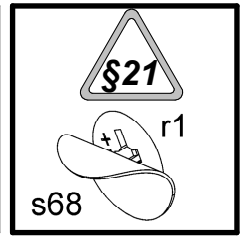
9 §2 §6



10



§18 p38
n26



§21 r1
s68

