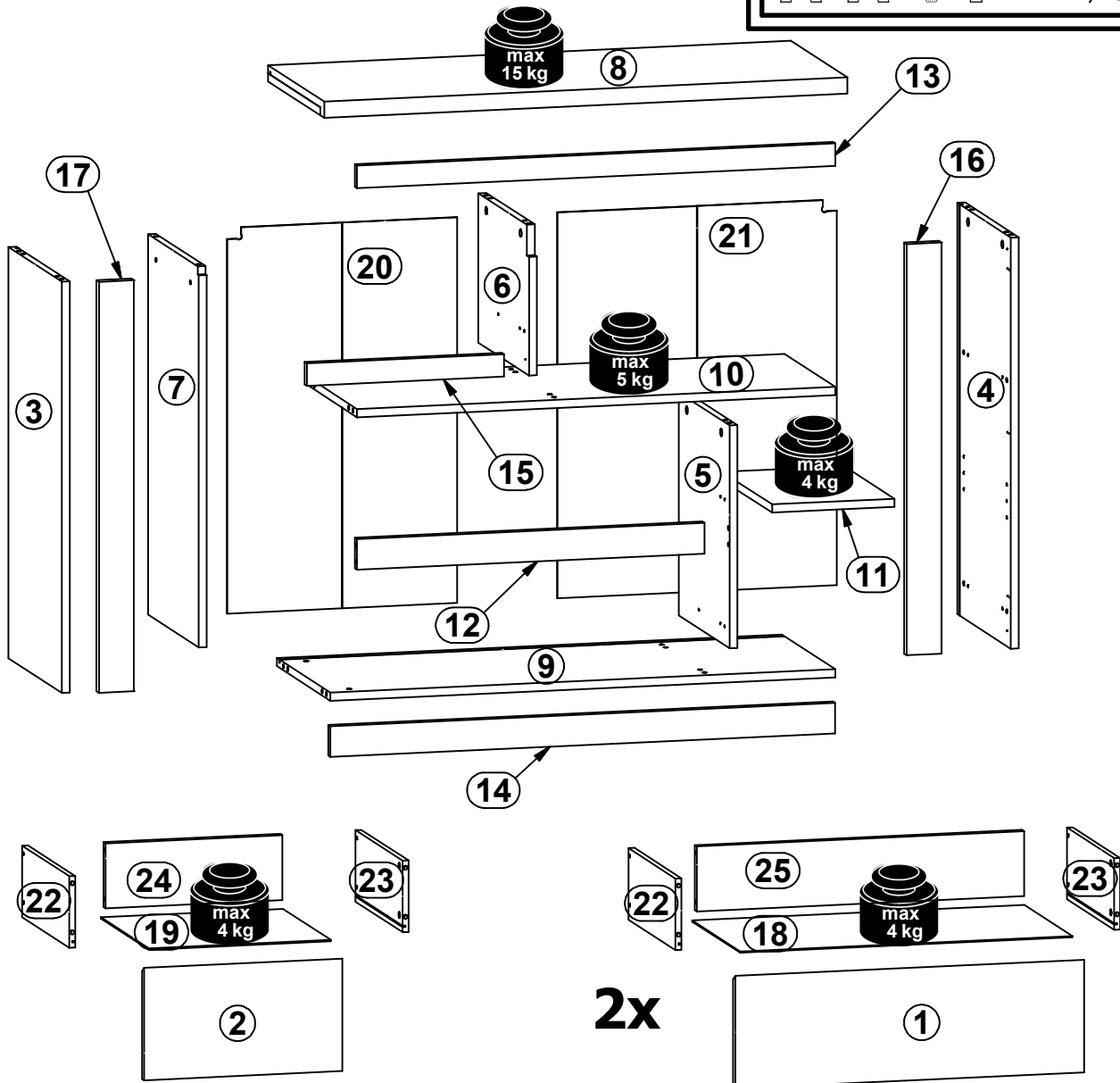
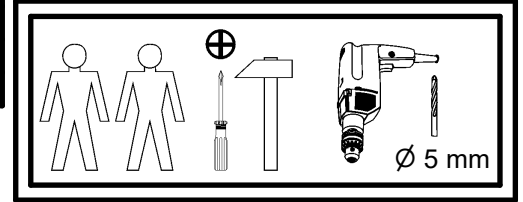
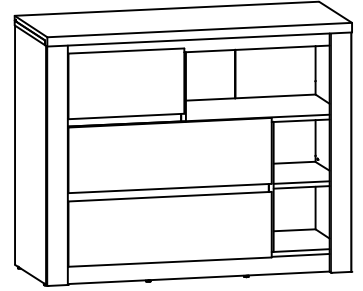
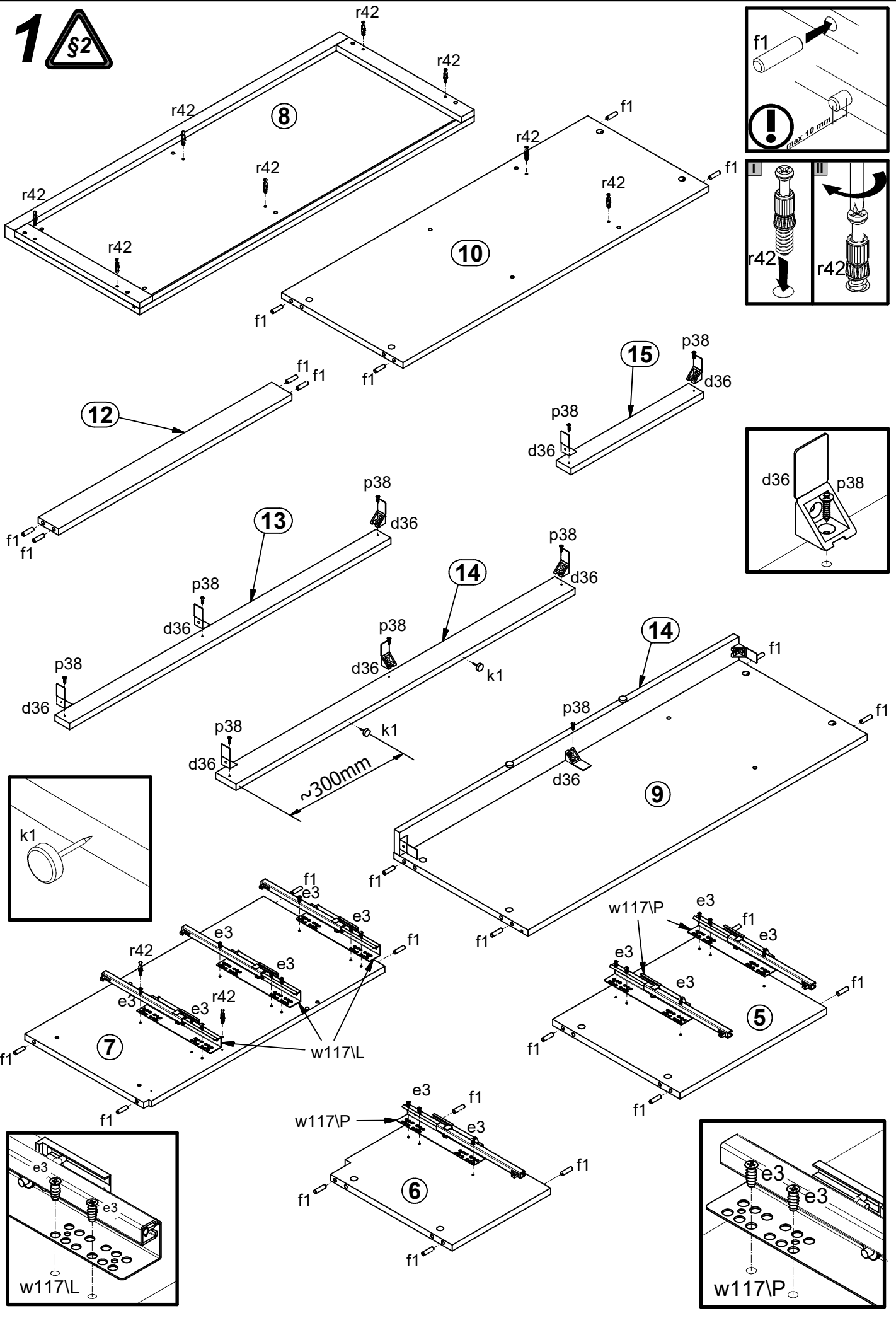


A	B	C	D	A	B	C	D		
1	S486-0004	696	220	1/2	14	S486-4007	1007	60	2/2
2	S486-0005	396	220	1/2	15	S486-4008	393	44	2/2
3	S486-1008	804	398	1/2	16	S486-5002	804	70	1/2
4	S486-1009	804	398	1/2	17	S486-5004	804	70	1/2
5	S486-1010	436	378	1/2	18	S486-9001	663	357	1/2
6	S486-1011	292	378	1/2	19	S486-9002	363	357	1/2
7	S486-1012	744	378	1/2	20	S486-9305	754	459	1/2
8	S486-2003	1043	420	2/2	21	S486-9306	754	557	1/2
9	S486-3010	1007	398	2/2	22	ZQ6-511	350	140	2/2
10	S486-3011	954	378	2/2	23	ZQ6-512	350	140	2/2
11	S486-3012	244	373	1/2	24	ZQ6-5157	353	127	2/2
12	S486-4003	693	60	1/2	25	ZQ6-5238	653	127	2/2
13	S486-4006	954	44	2/2					



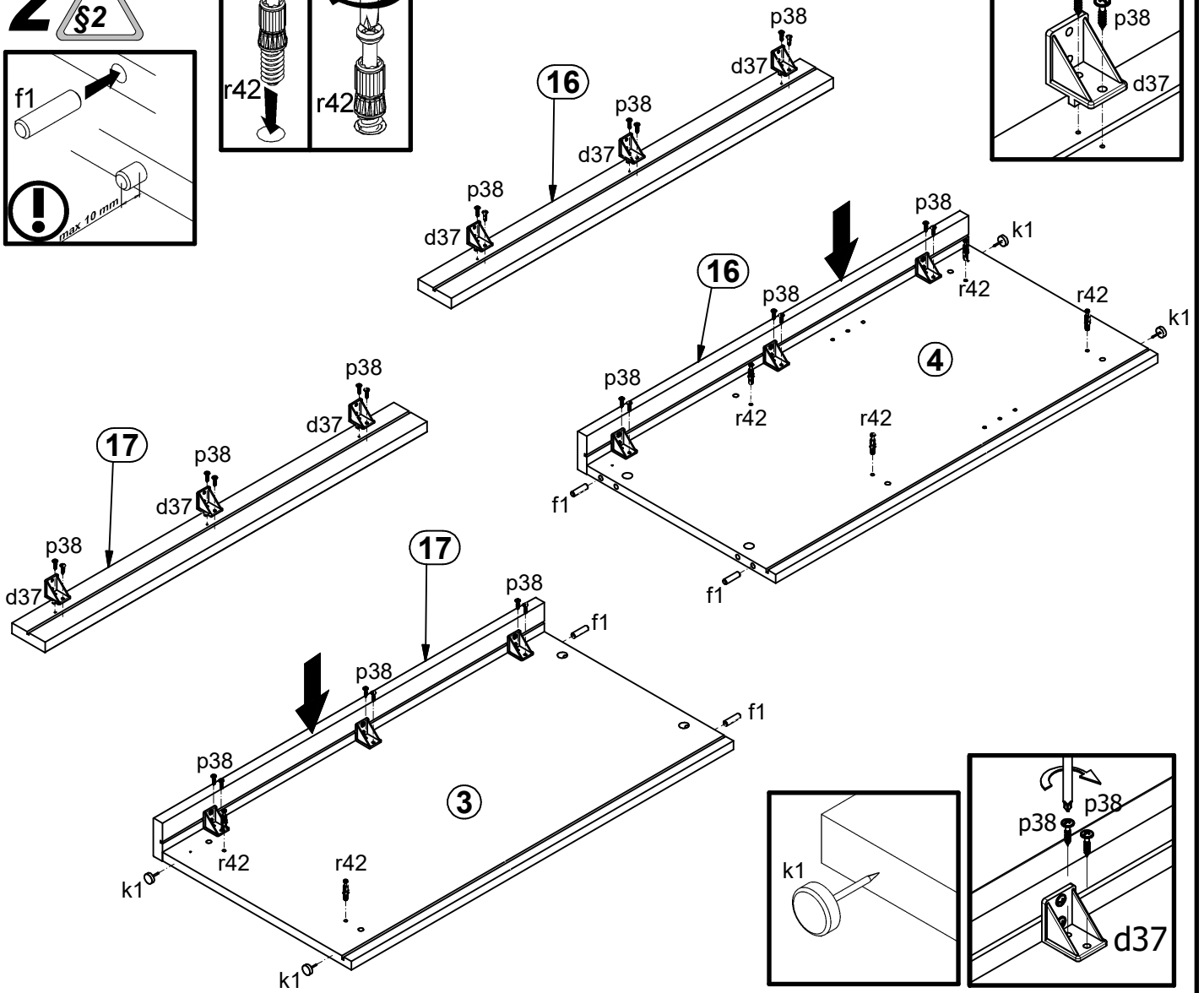
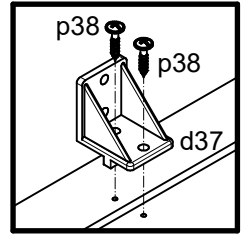
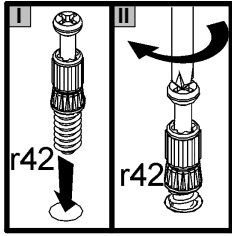
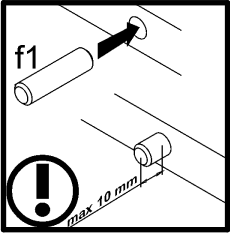
4x Ø5x17 mm d1	8x d36	6x d37	4x Ø7x50 mm e1	18x Ø6x13 mm e3	28x Ø8x30 mm f1	12x Ø6,5x40 mm f25	6x k1	12x l2
2x Ø3,5x10 mm p35	40x Ø3,5x16 mm p38	2x Ø3,5x15 mm p51	29x Ø2,9x16 mm p55	16x Ø15x12 mm #16 r1	12x Ø12x10,5 mm #12 r15	28x 20/11 r42	2x 350 mm t35	2x Ø 20mm s68
3x 350 mm W117/L	3x 350 mm W117/P	1x 4 mm z1					1x n26	1x Ø3,5x16 mm p38

1 



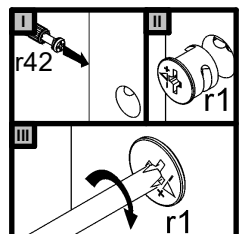
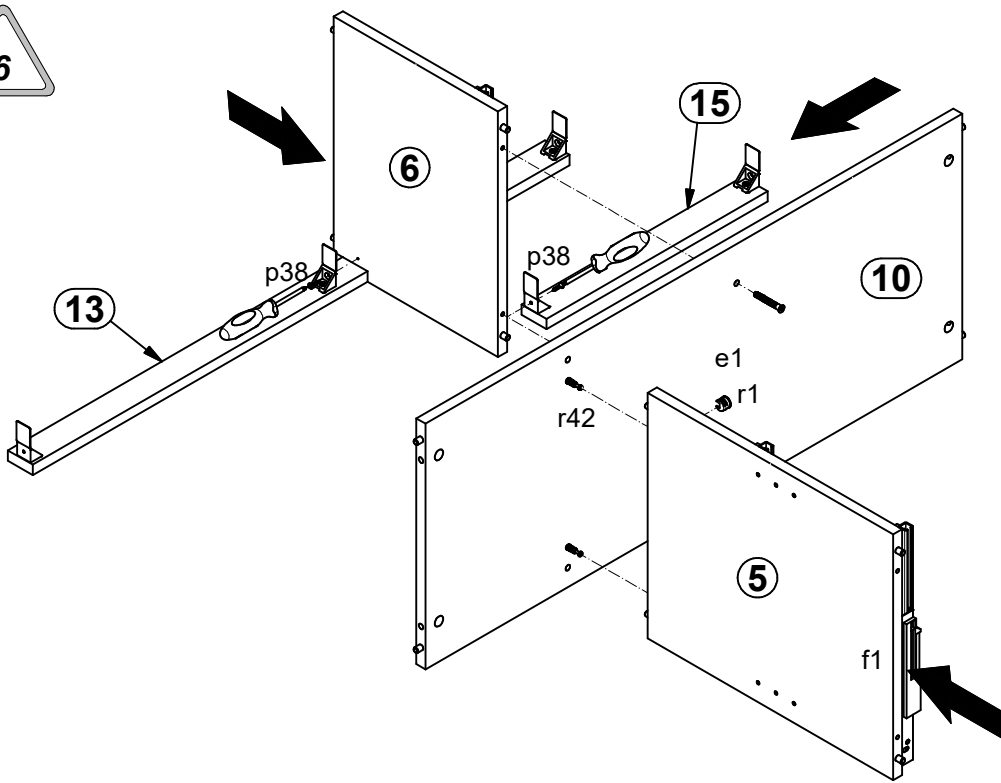
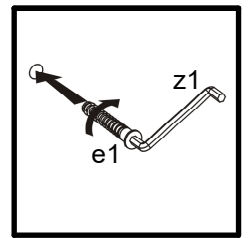
2

§2

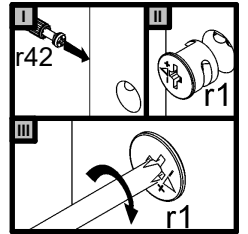
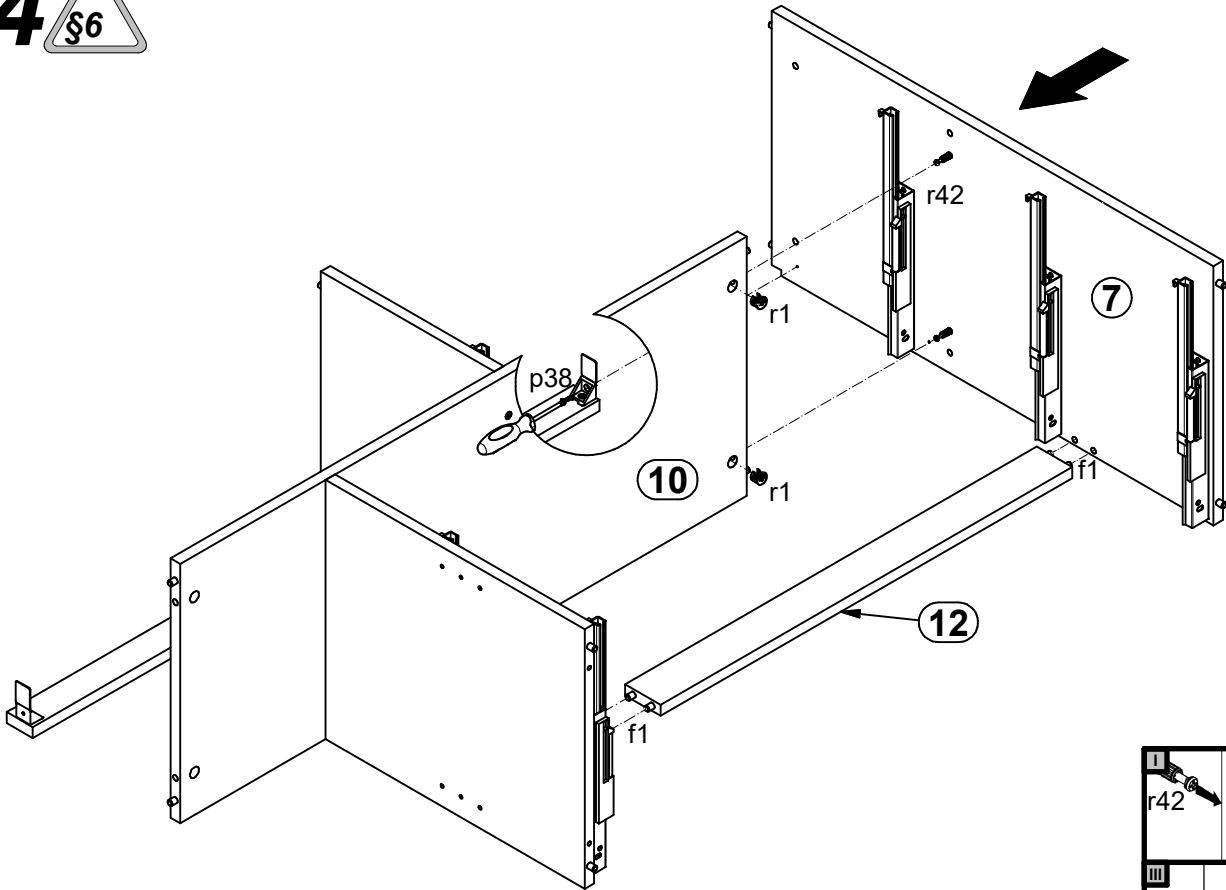


3

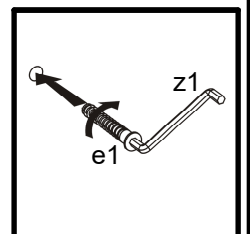
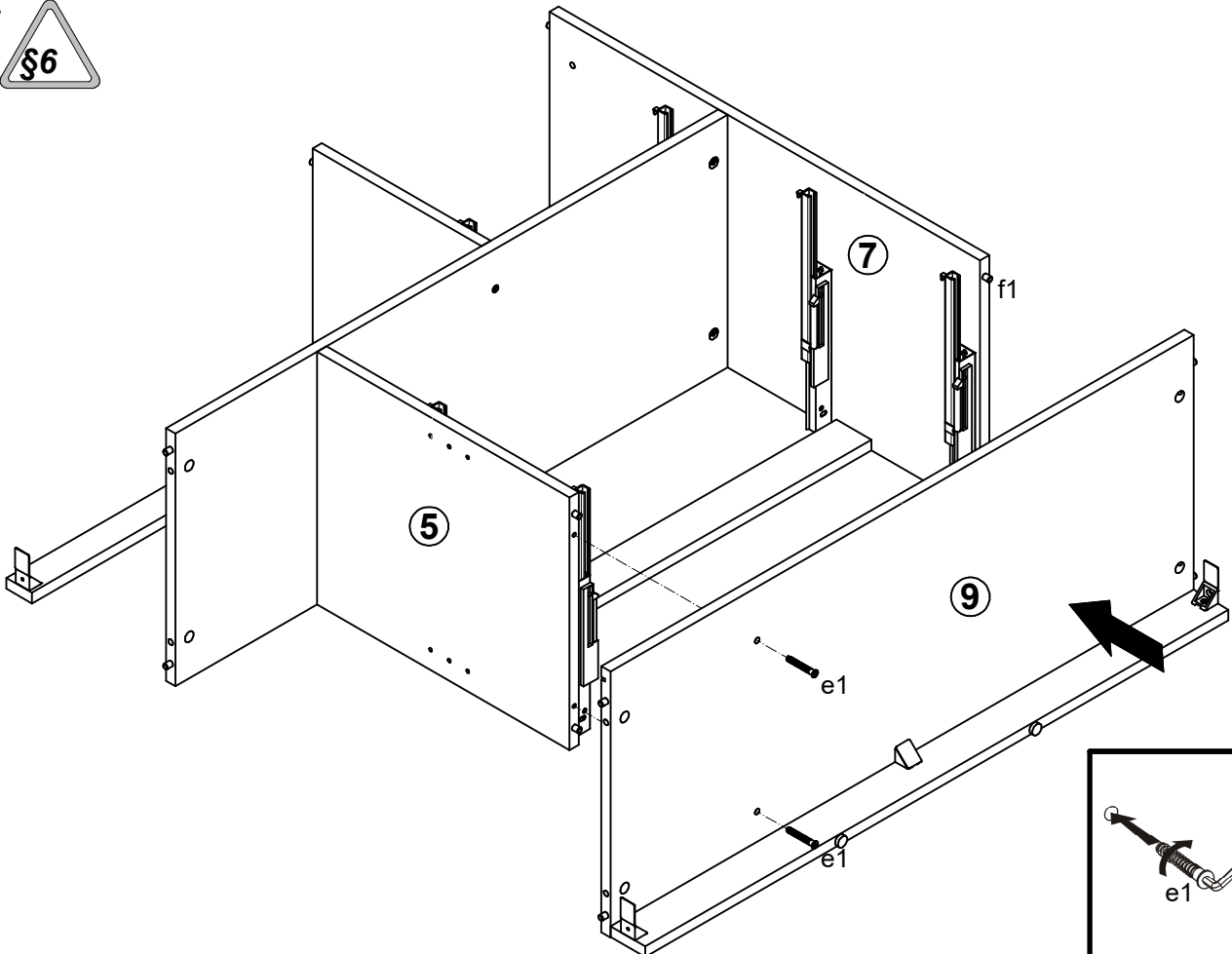
§6



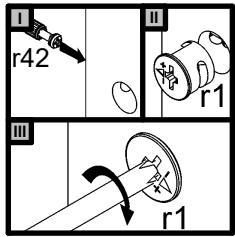
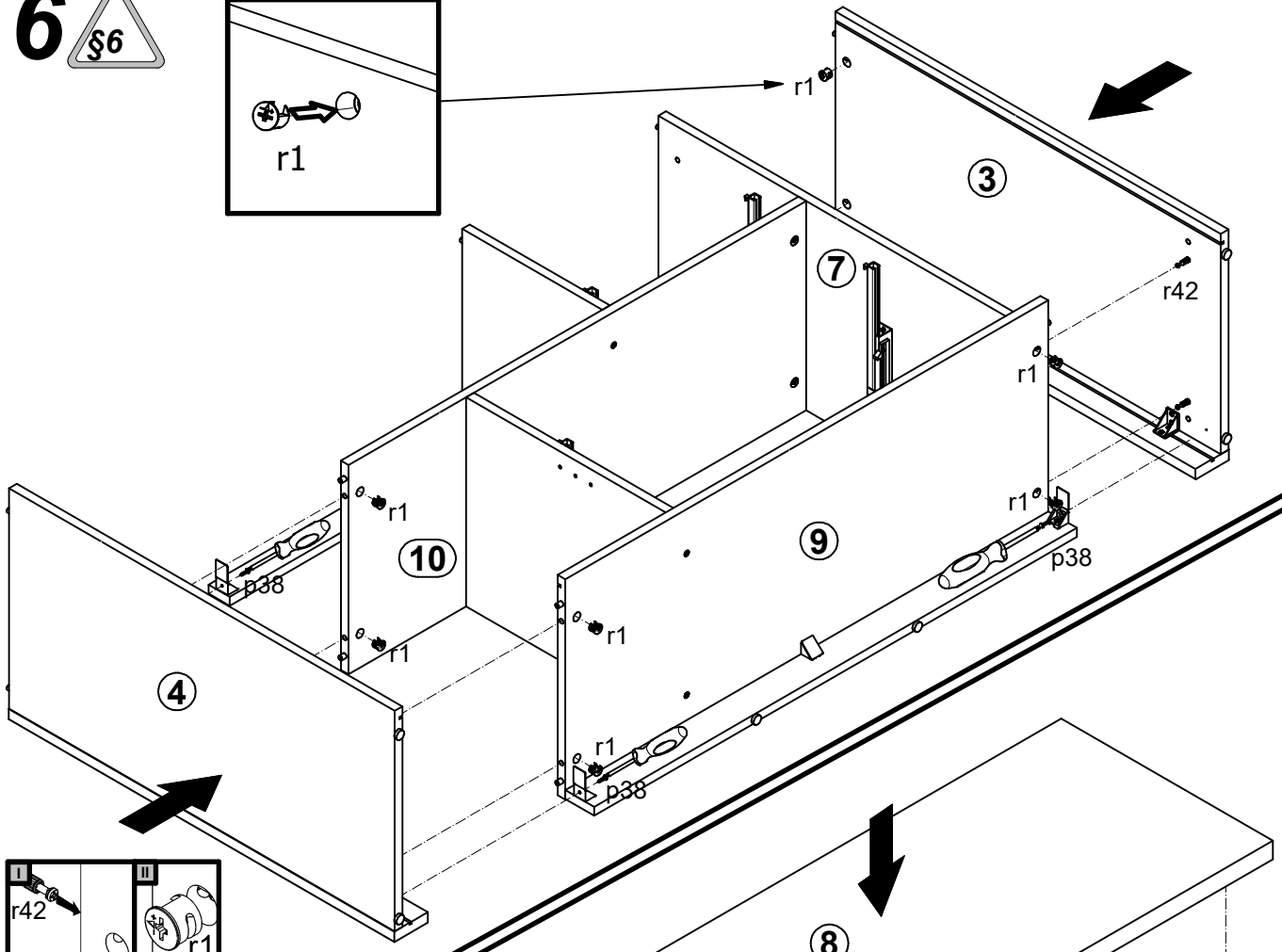
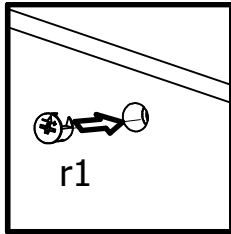
4 §6



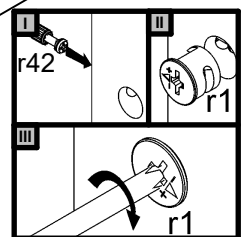
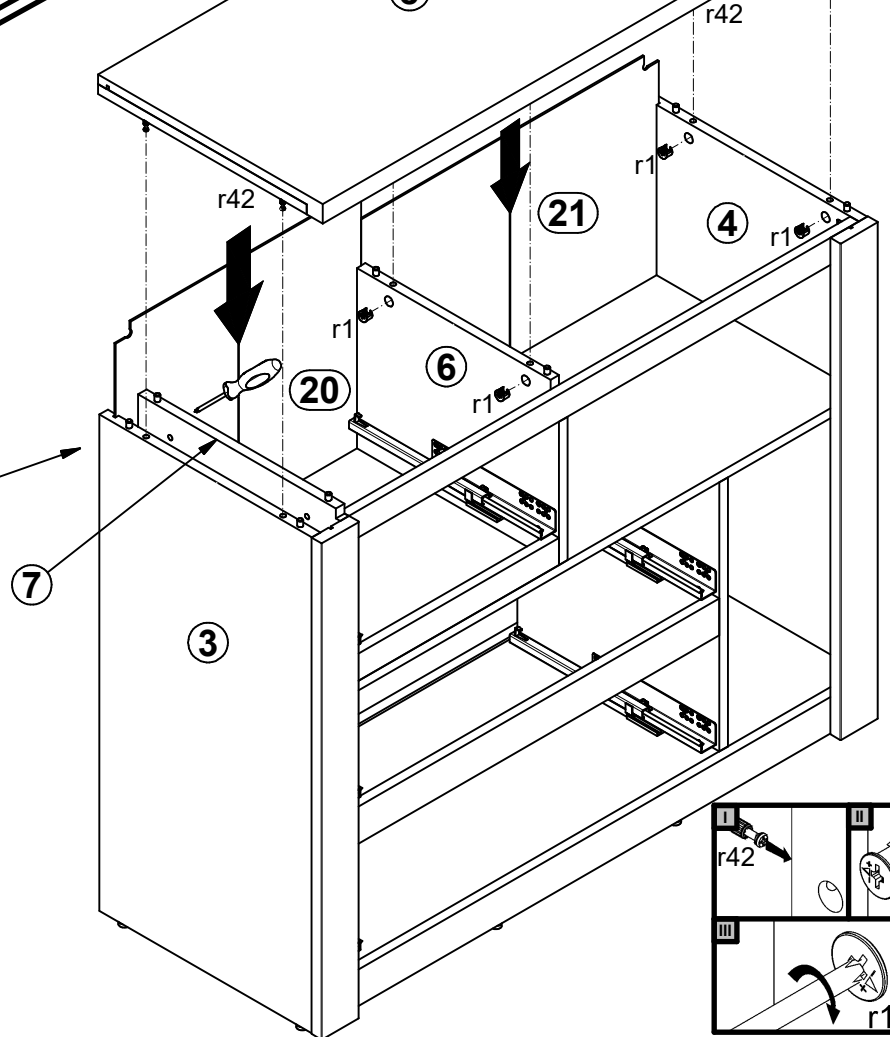
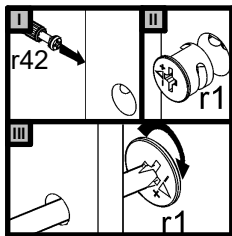
5 §6

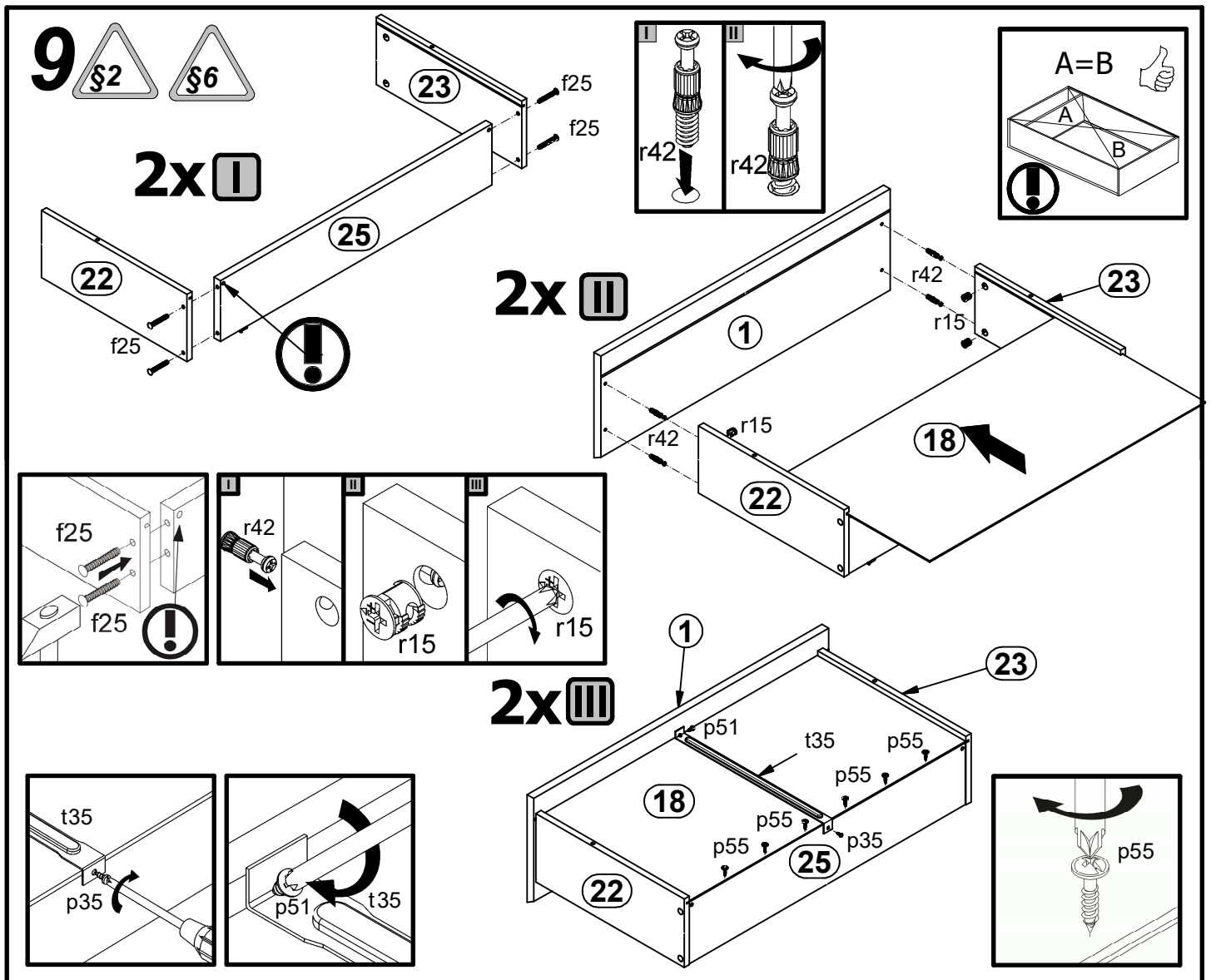
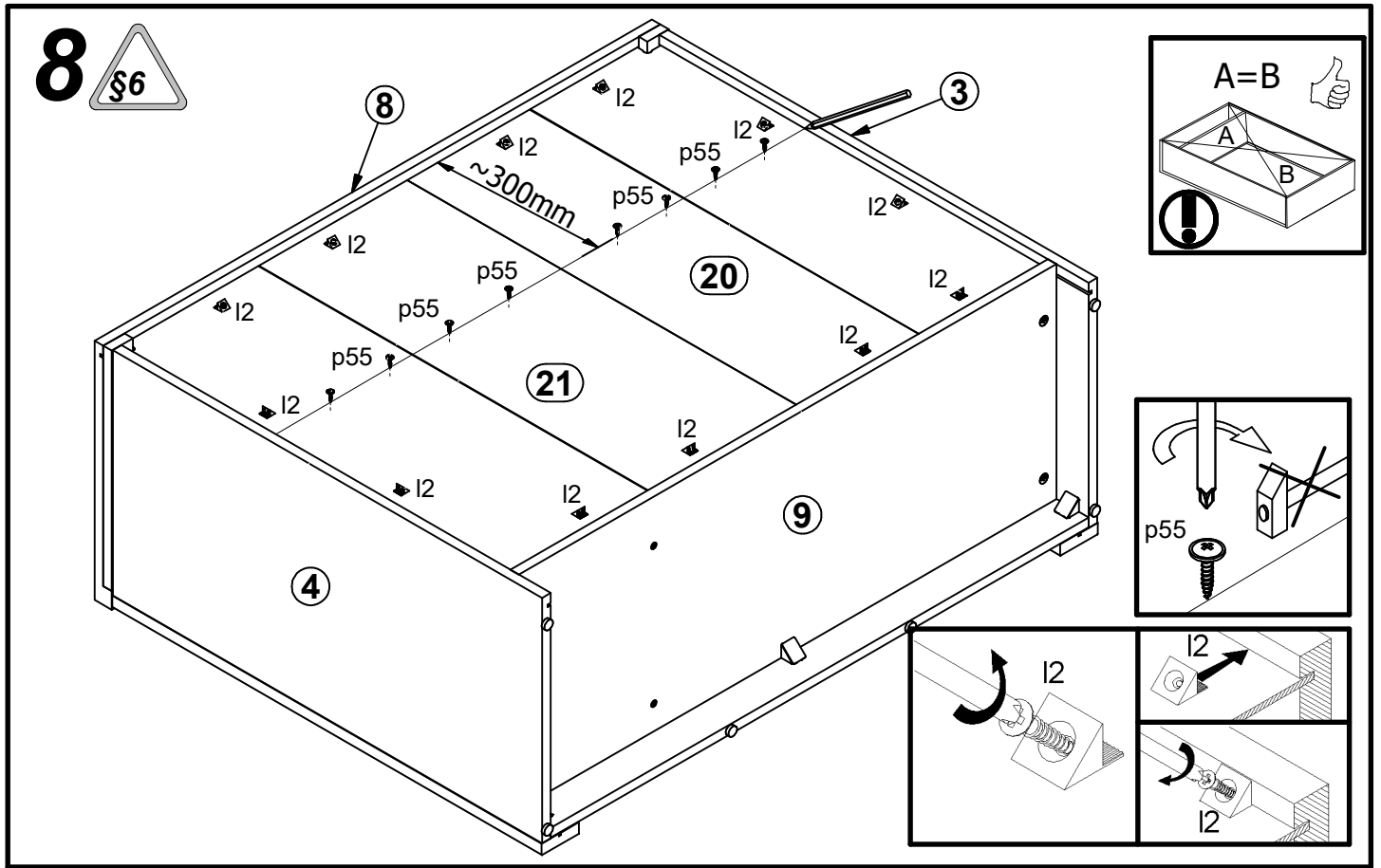


6 



7 

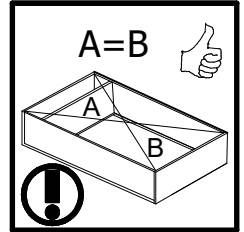
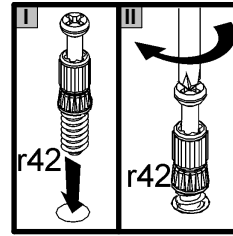
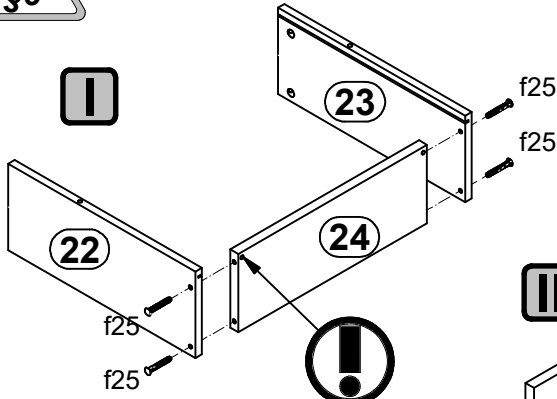




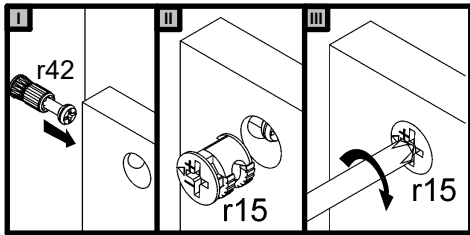
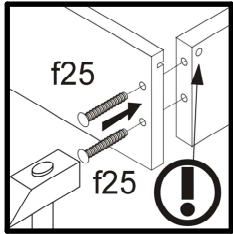
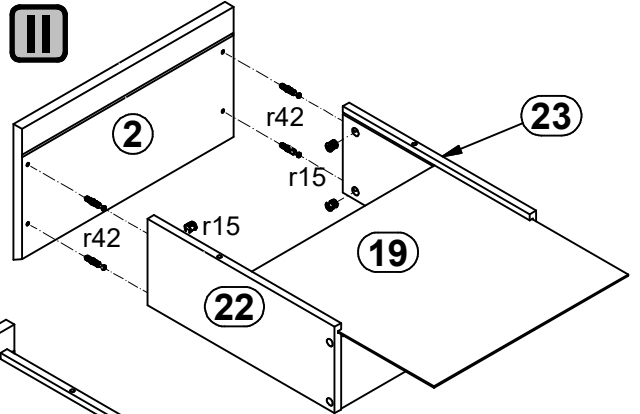
10



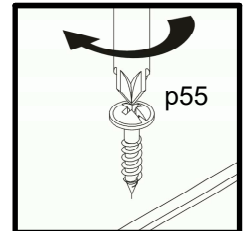
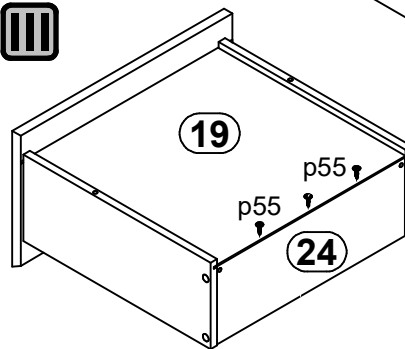
I



II



III



11

