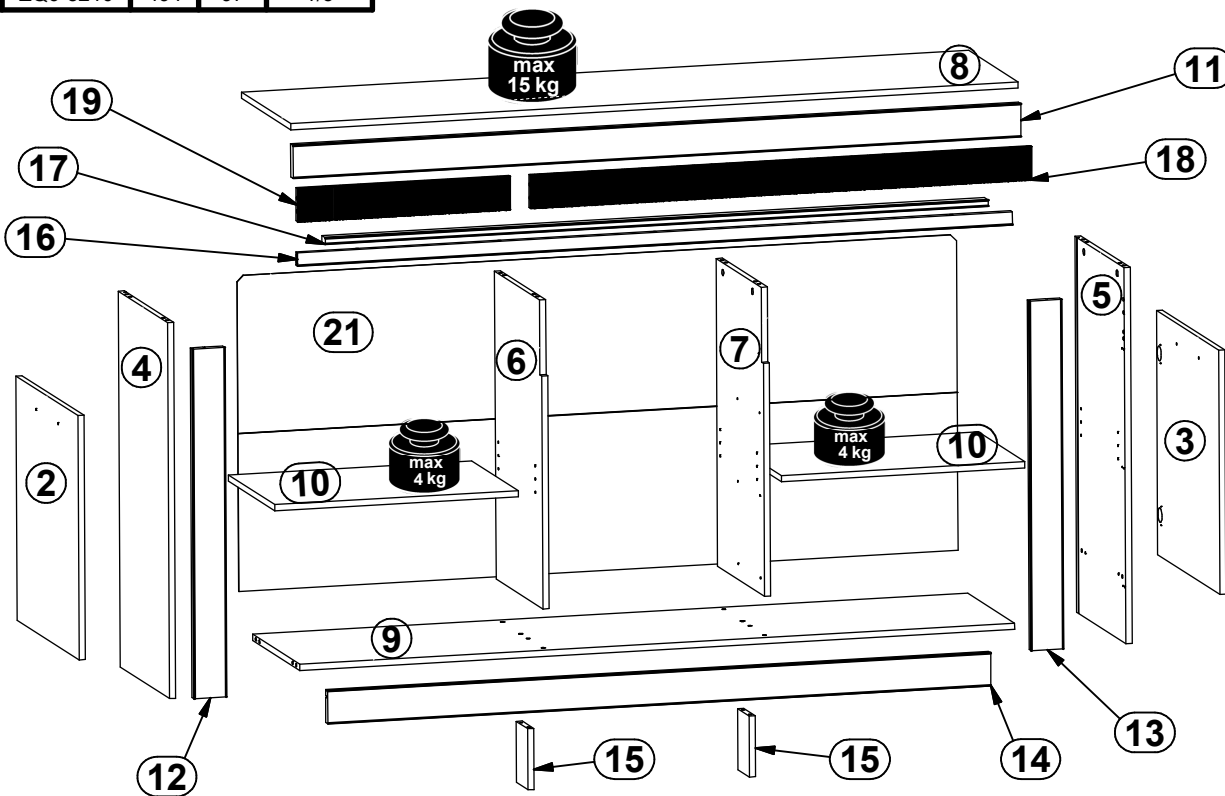
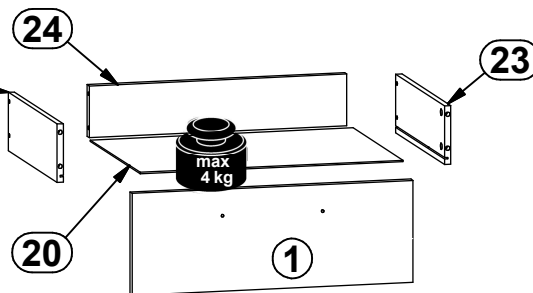
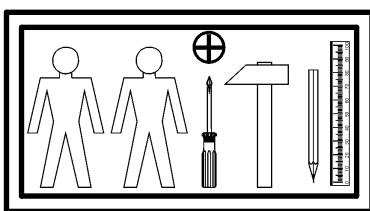
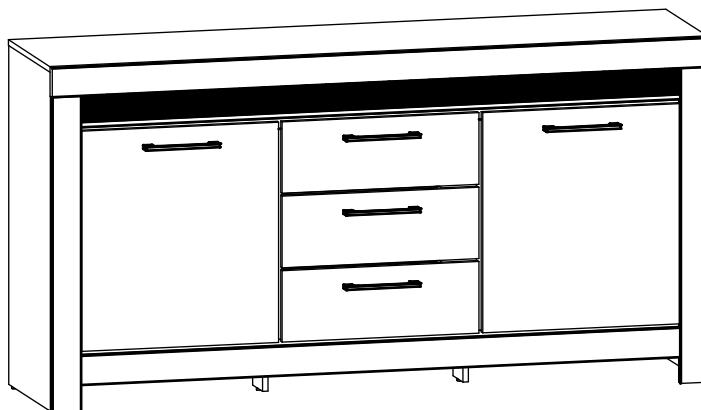
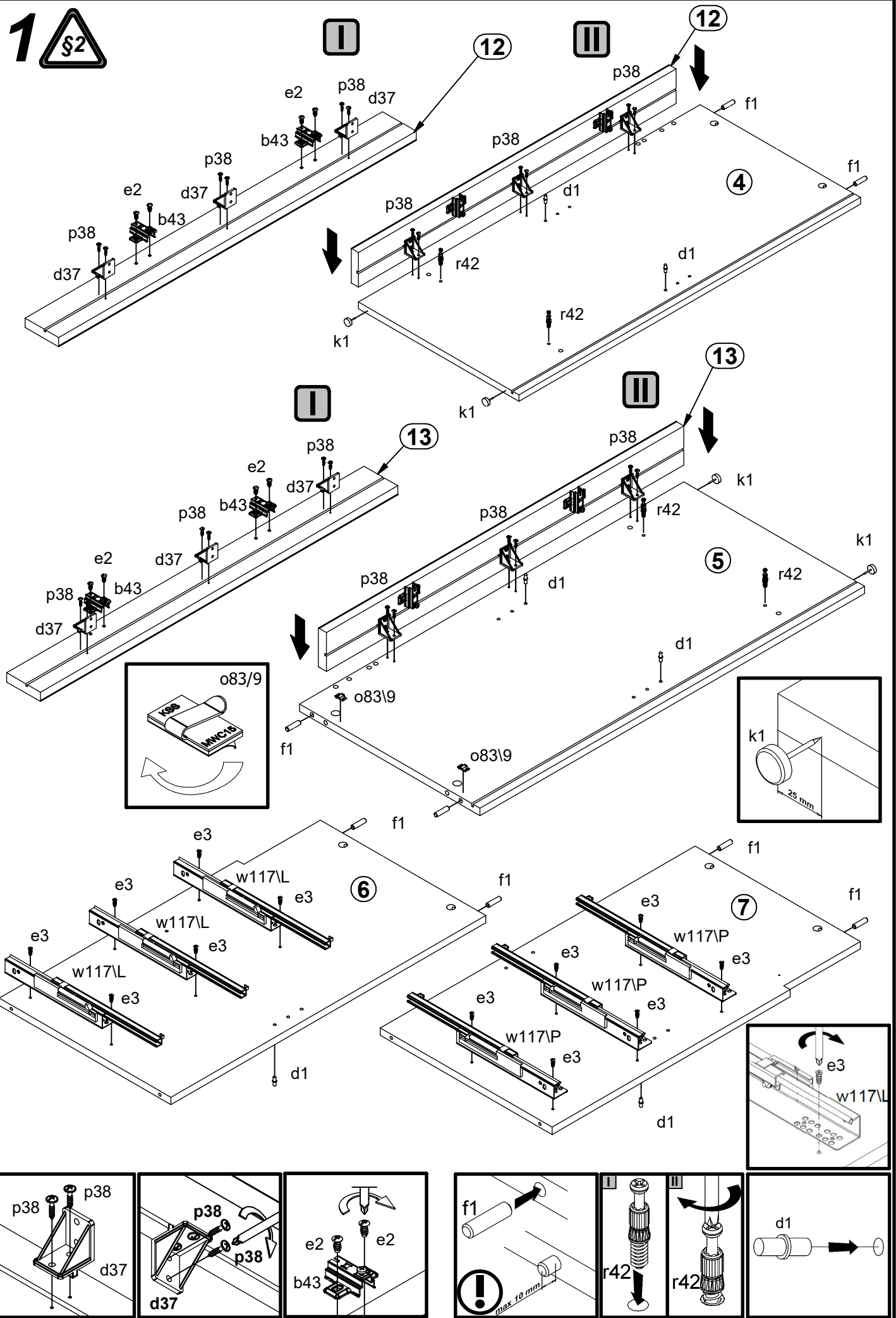


A	B	C	D	
1	S481-0001	539	192	3/3
2	S481-0002	539	592	3/3
3	S481-0003	539	592	3/3
4	S481-1001	911	428	1/3
5	S481-1002	911	428	1/3
6	S481-1003	746	407	1/3
7	S481-1004	746	407	1/3
8	S481-2001	1802	428	2/3
9	S481-3001	1771	408	2/3
10	S481-3002	603	404	1/3
11	S481-5001	1803	80	2/3
12	S481-5002	847	80	2/3
13	S481-5003	847	80	2/3
14	S481-5004	1642	80	2/3
15	S481-5005	148	100	1/3
16	S481-5006	1771	32	2/3
17	S481-5007	1642	32	2/3
18	S481-5008	1242	80	2/3
19	S481-5009	527	80	2/3
20	S481-9001	504	357	1/3
21	S481-9301	1782	765	2/3
22	ZQ6-519	350	110	1/3
23	ZQ6-520	350	110	1/3
24	ZQ6-5210	494	97	1/3

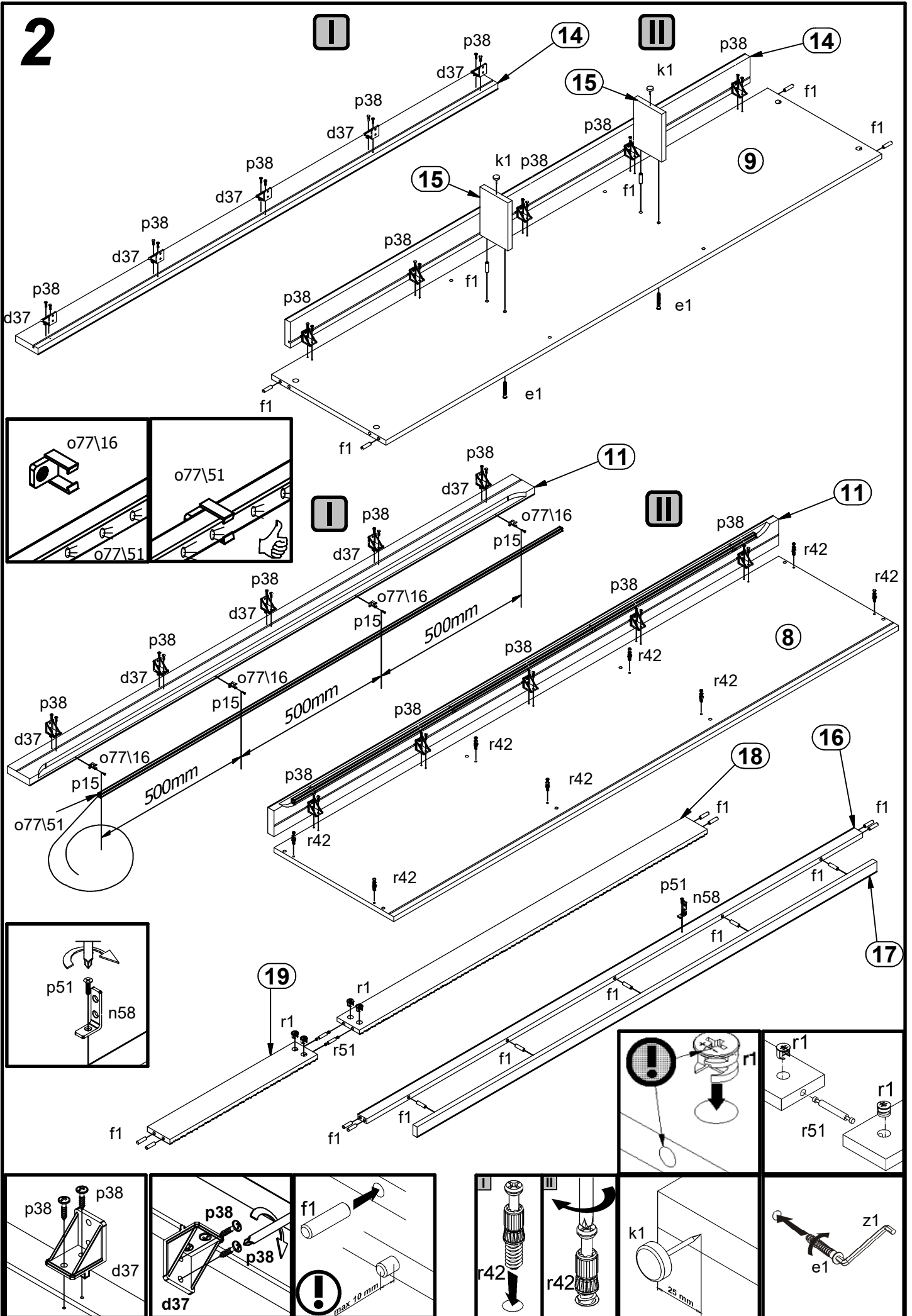


4x  a132	2x  a133	4x  b43	5x  192 mm c306	8x  Ø5x17 mm d1	16x  d37	6x  Ø7x50 mm e1	8x  Ø6.3x13 mm e2	12x  Ø6x13 mm e3
27x  Ø8x30 mm f1	12x  Ø6.5x40 mm f25	10x  M4x22 mm j30	6x  k1	7x  l2	4x  Ø77\16	2x  10x18 mm o83\9	4x  Ø2.5x13 mm p15	74x  Ø3.5x16 mm p38
10x  Ø3.5x15 mm p51	23x  Ø2.9x16 mm p55	16x  Ø15x12 mm #16 r1	12x  Ø12x10.5 mm #12 r15	24x  20\11 r42	2x  40 mm r51	3x  350 mm W117\L	3x  350 mm W117\P	1x  4 mm z1
8x  Ø 20mm s68	1x  n26	1x  10x10 mm L=1645 mm o77\51	1x  2m 1P 15W o70\10	1x  38x22x10\2.5mm n58				

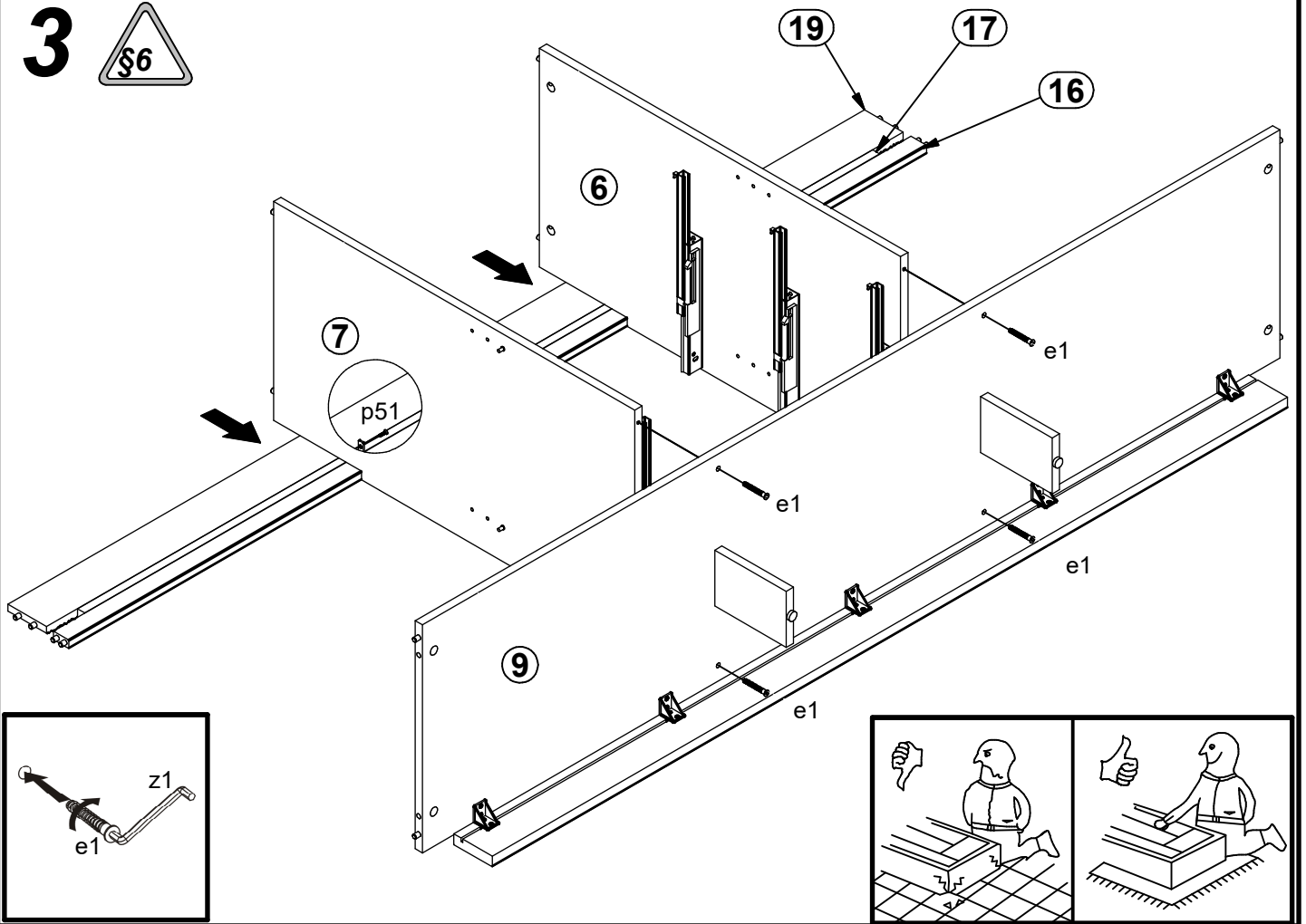
1 



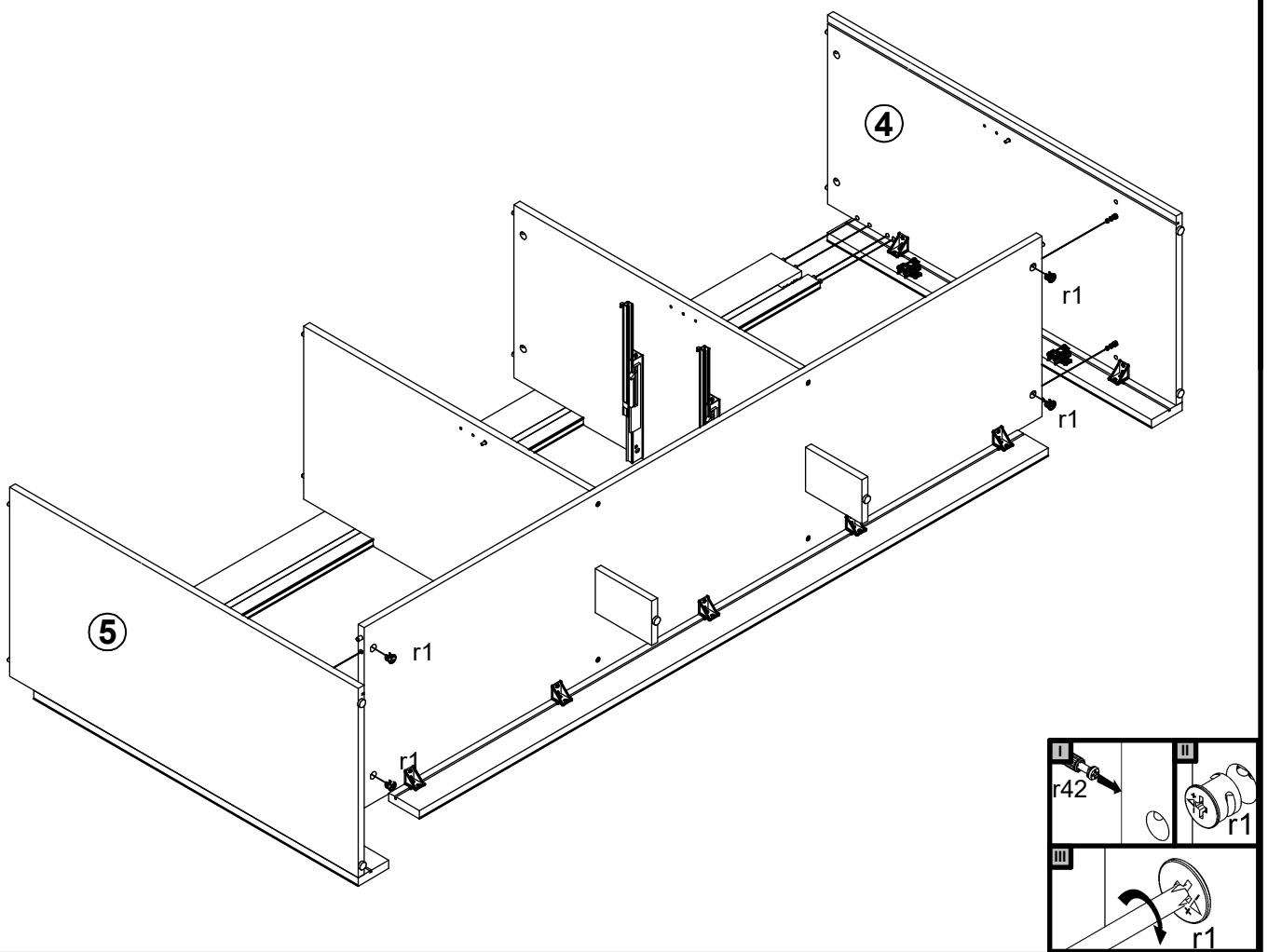
# 2



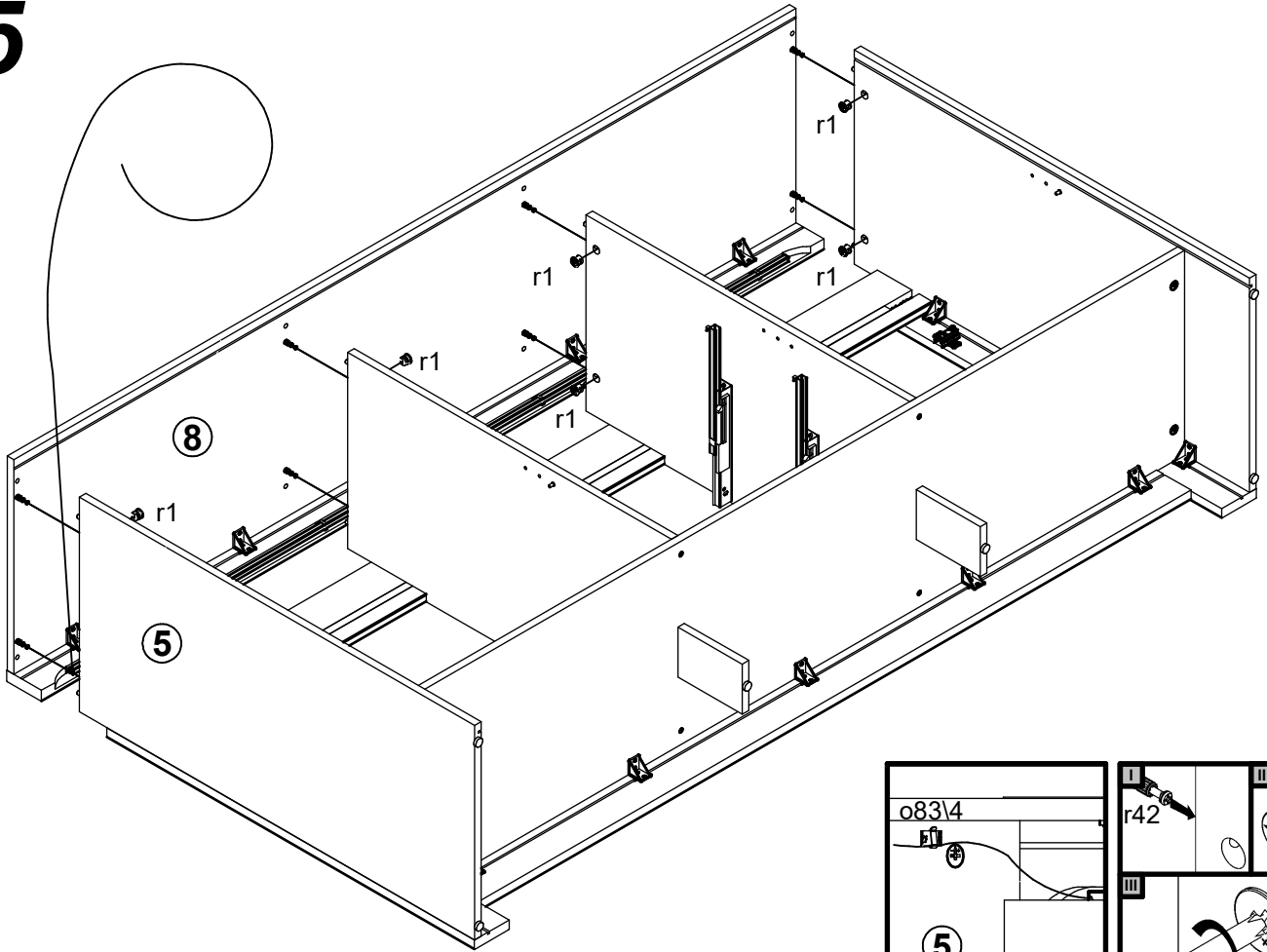
# 3



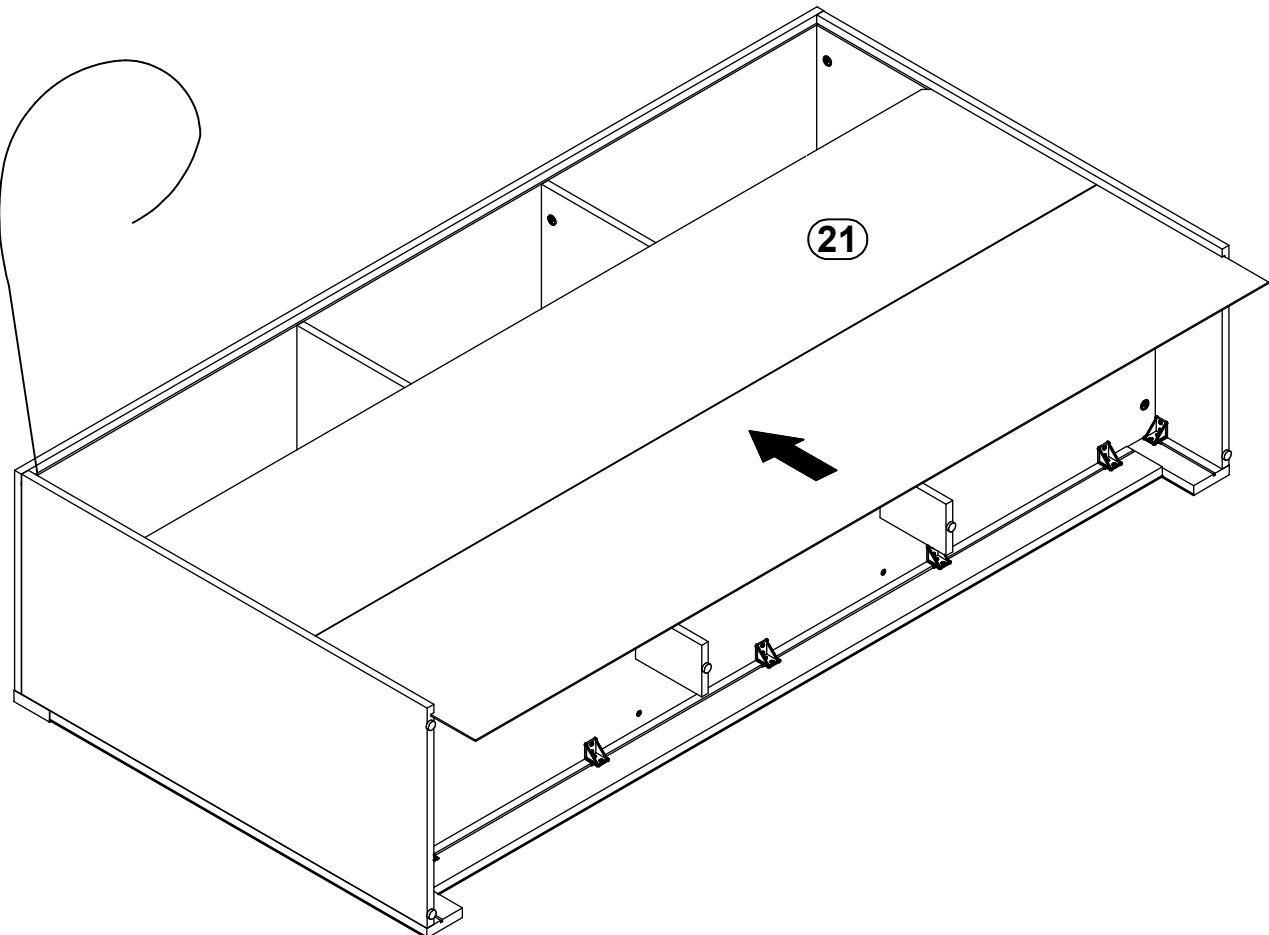
# 4



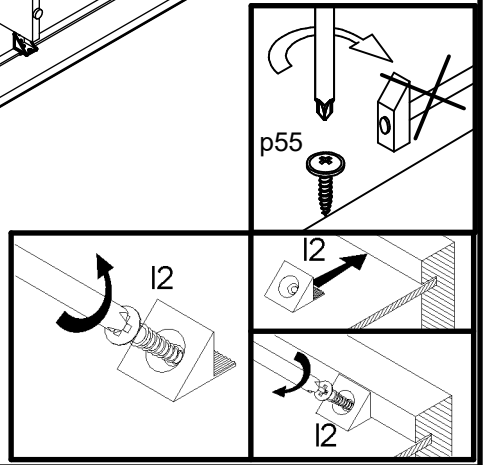
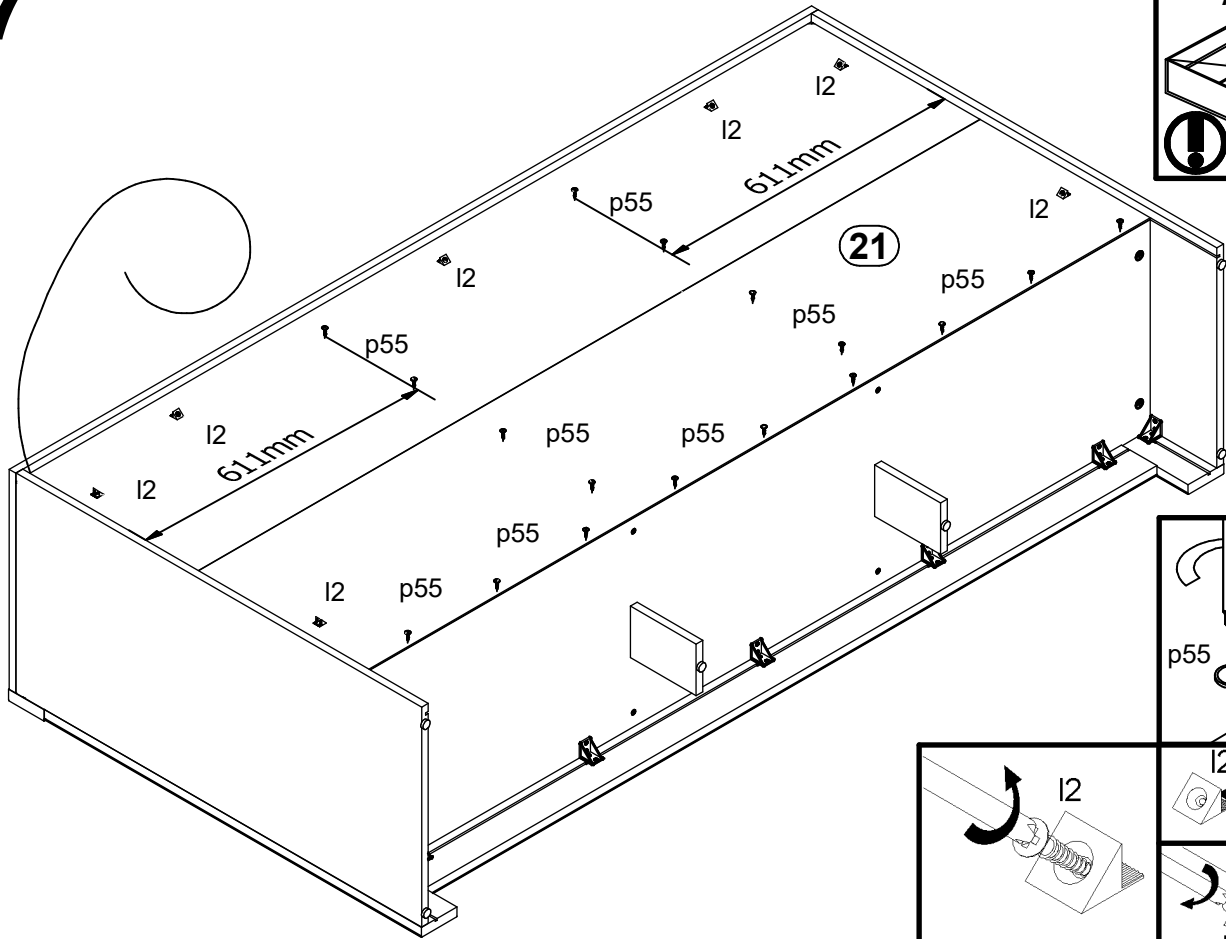
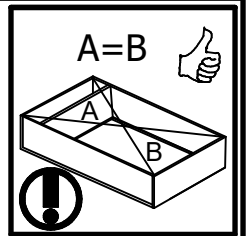
# 5



# 6



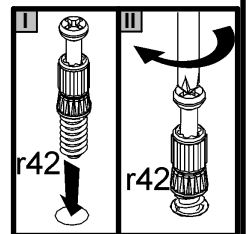
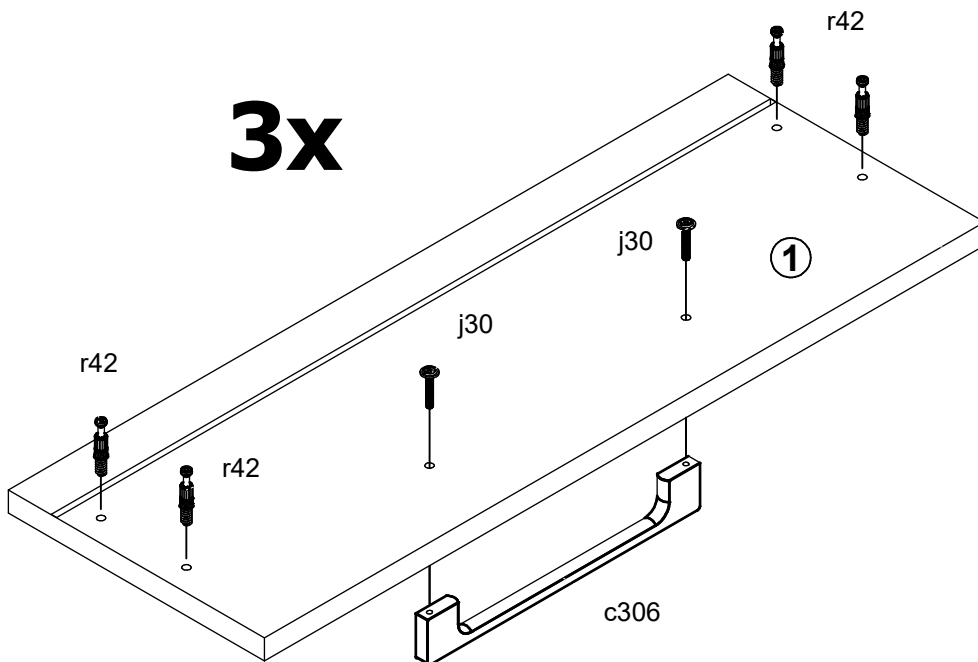
# 7



# 8

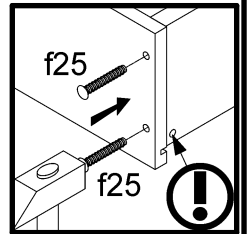
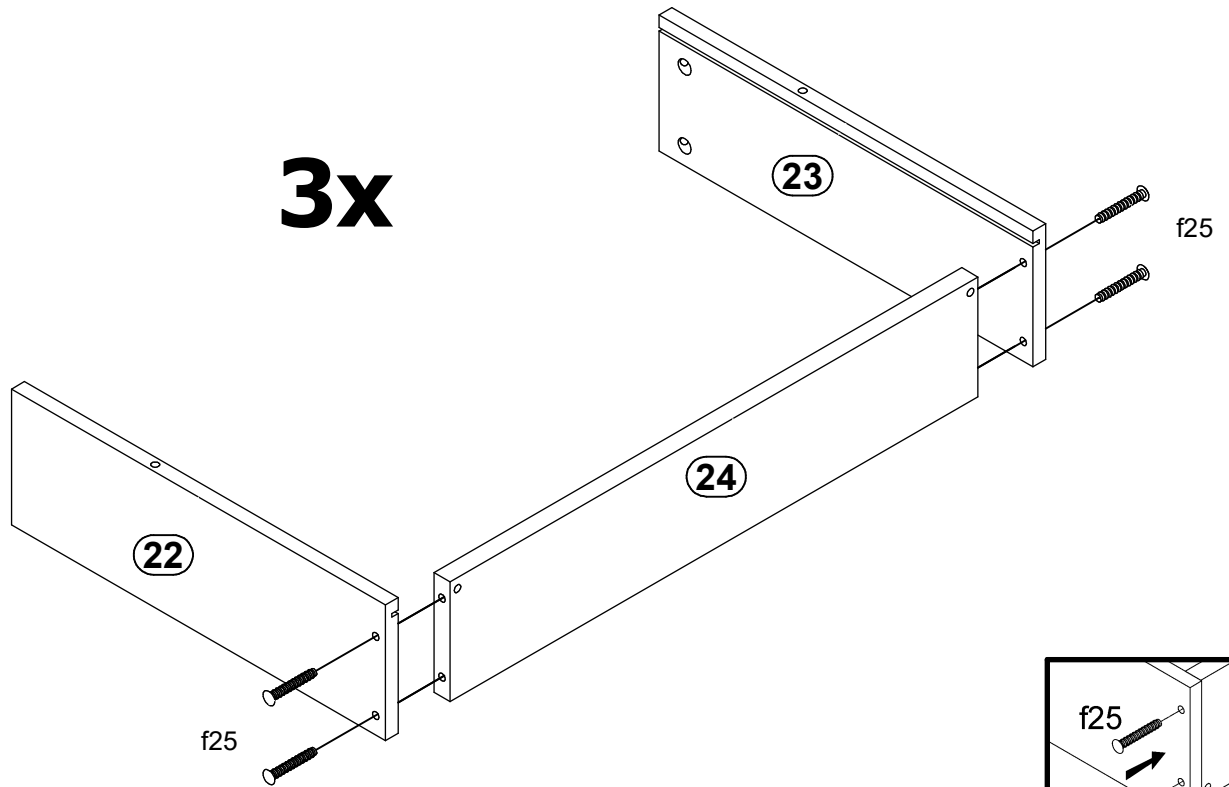


## 3x



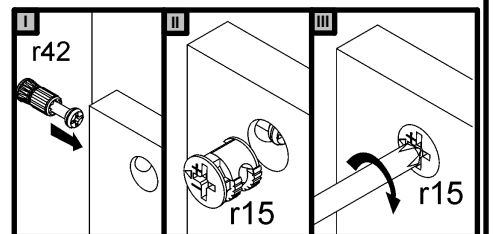
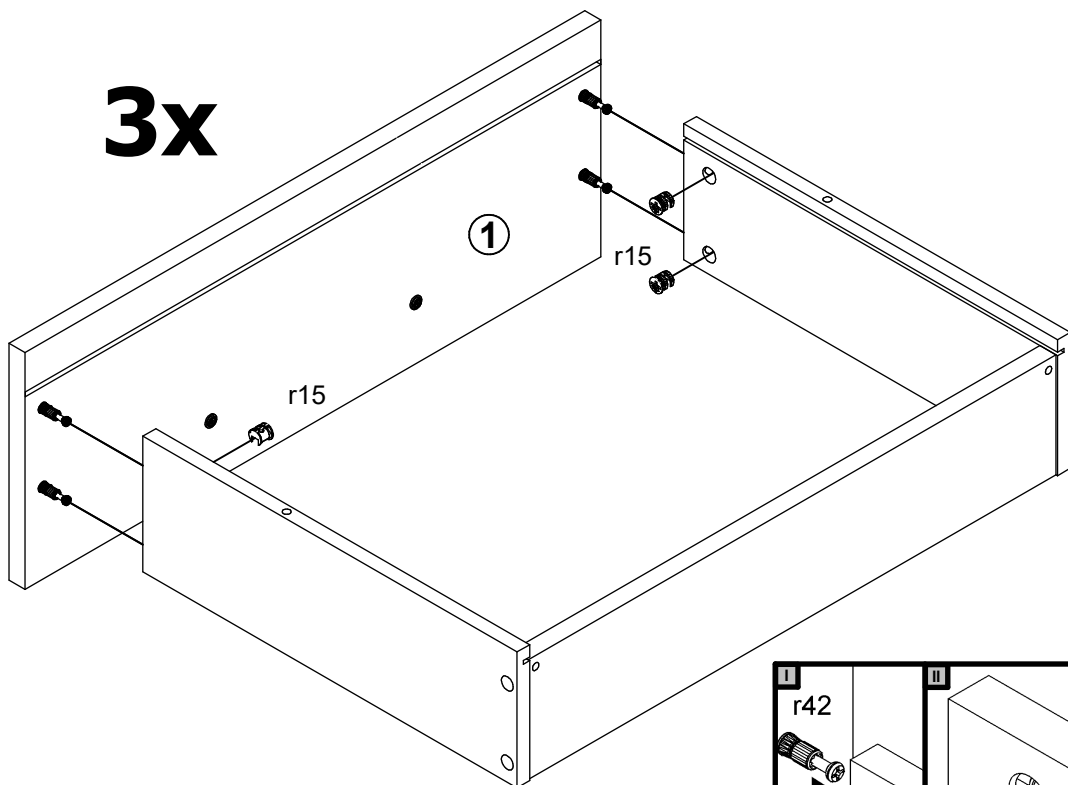
# 9

## 3x



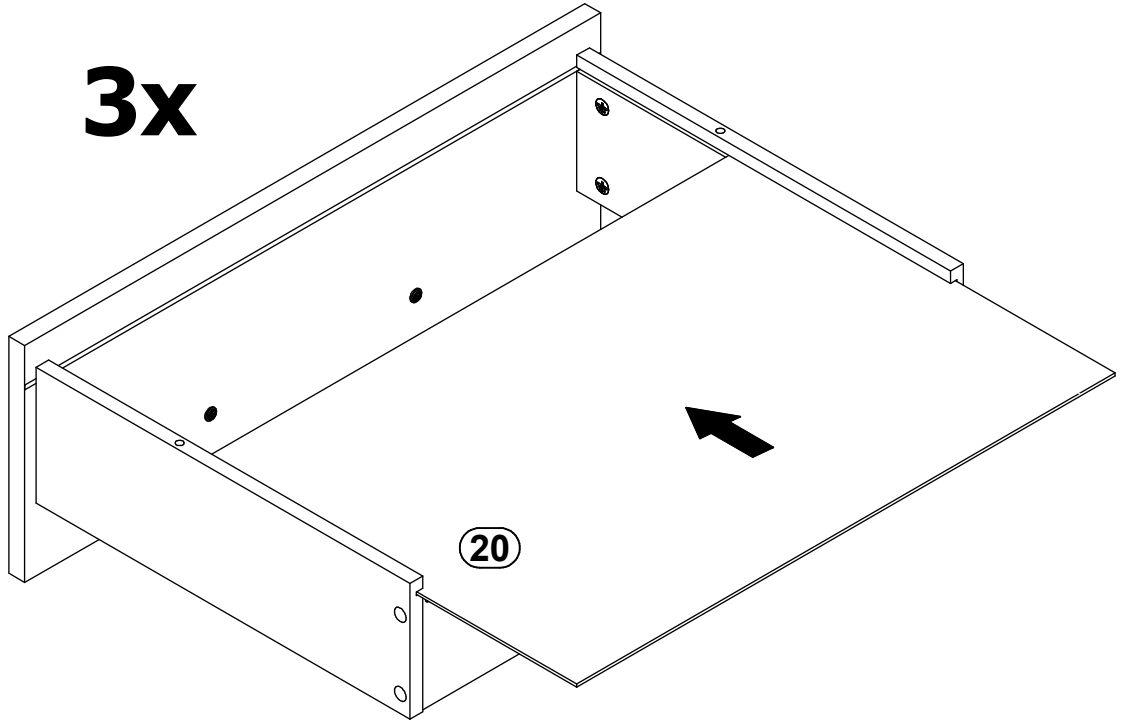
# 10

## 3x



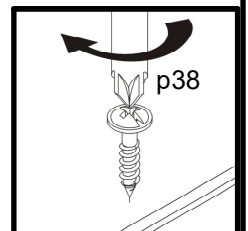
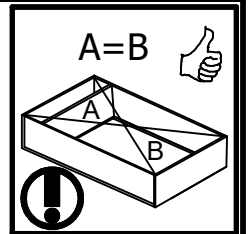
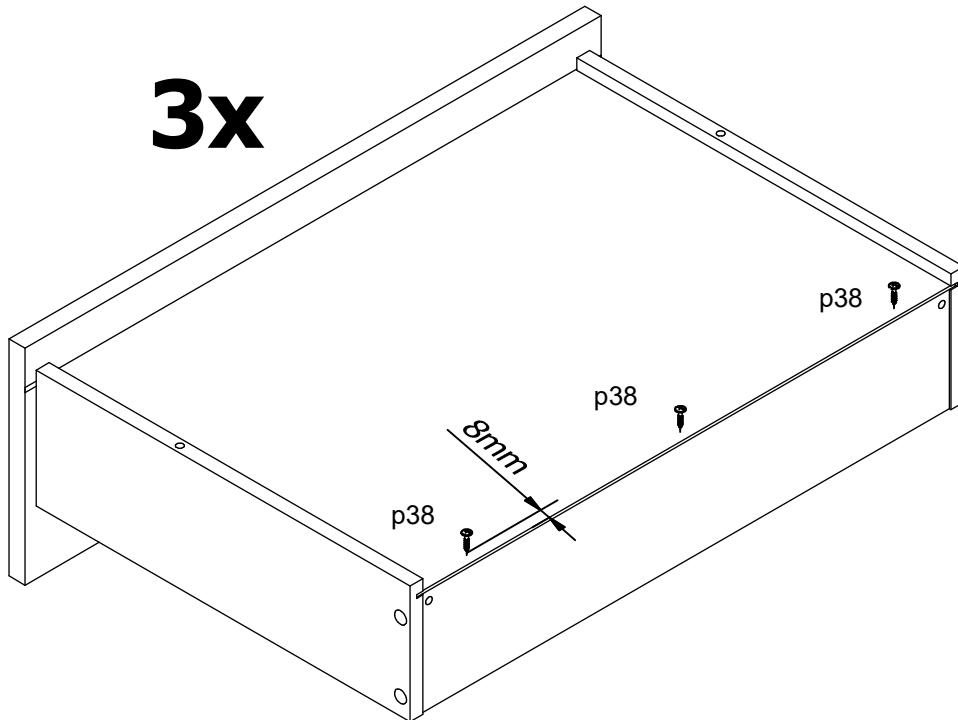
# 11

## 3x



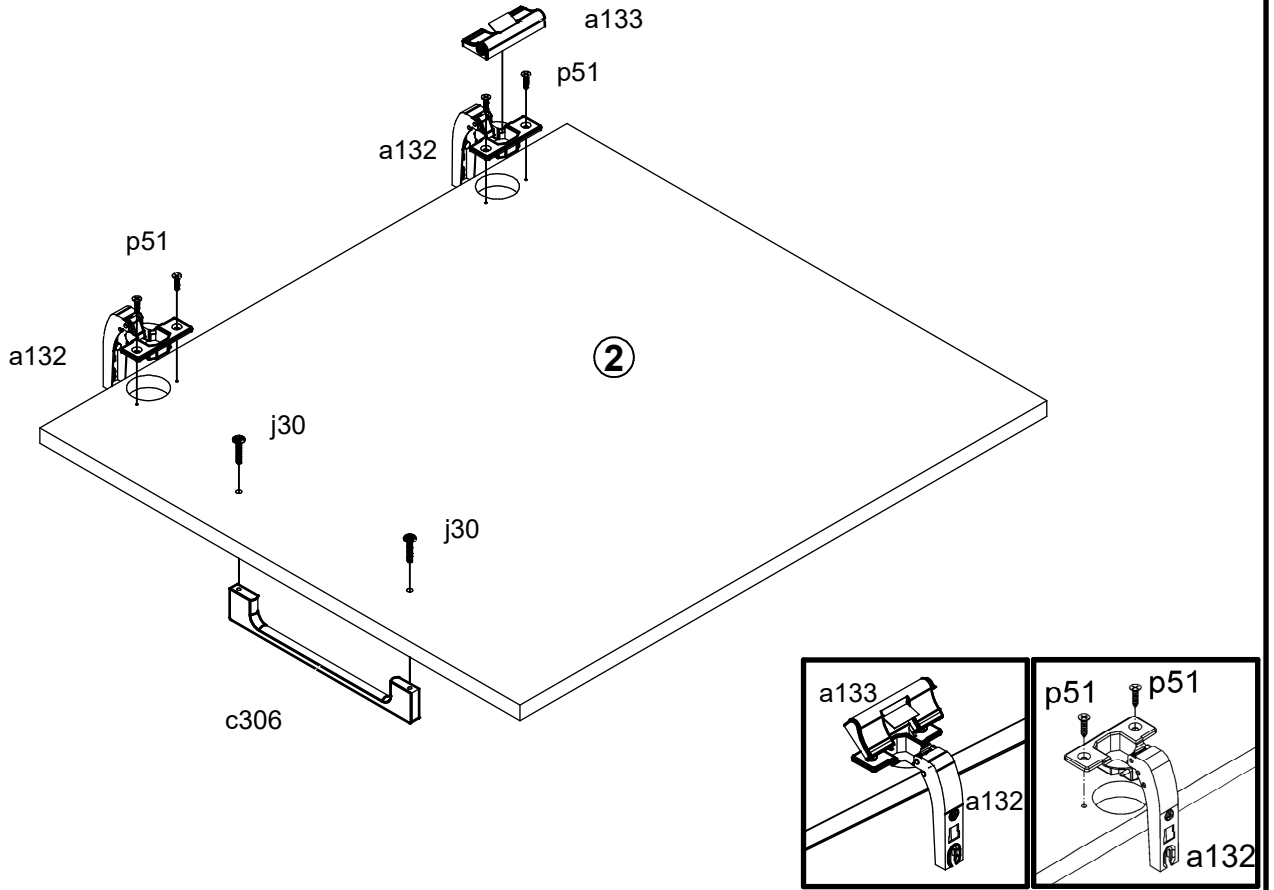
# 12

## 3x

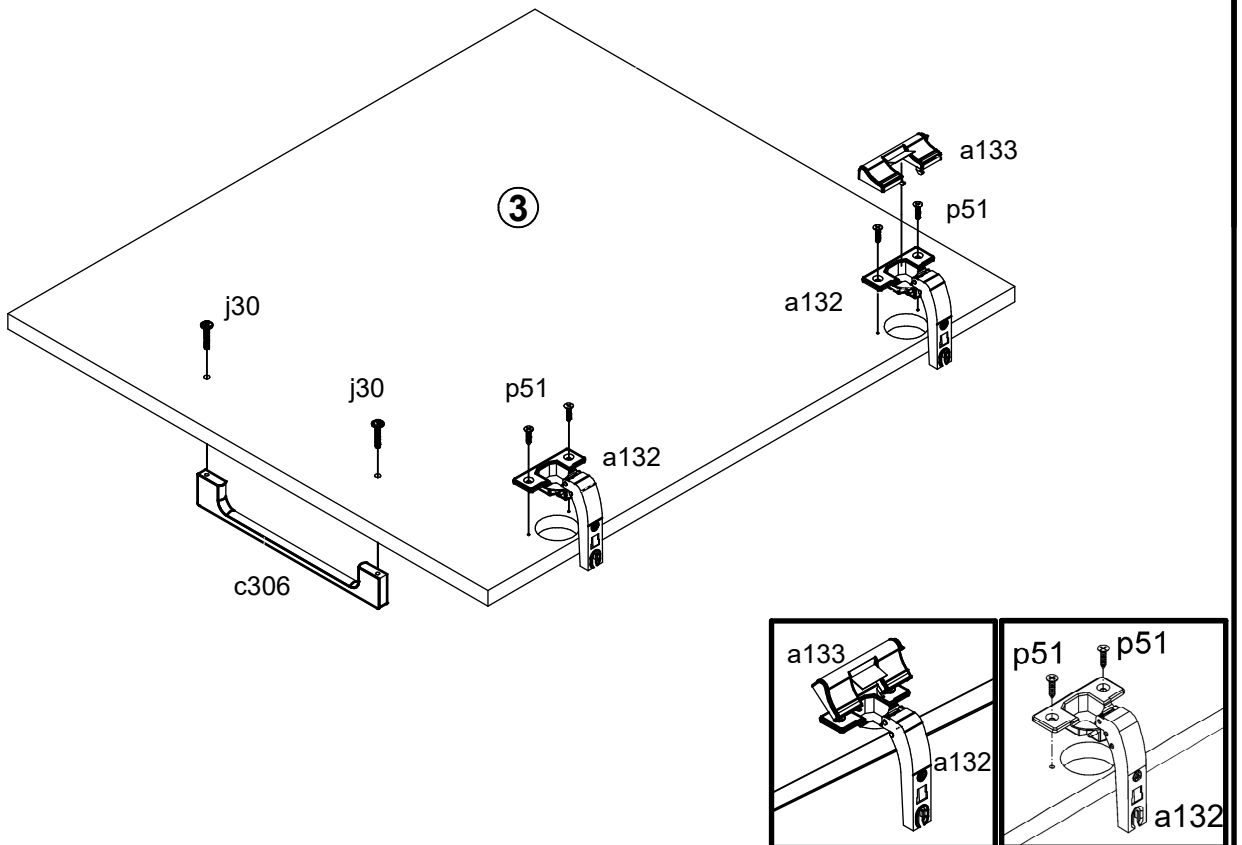




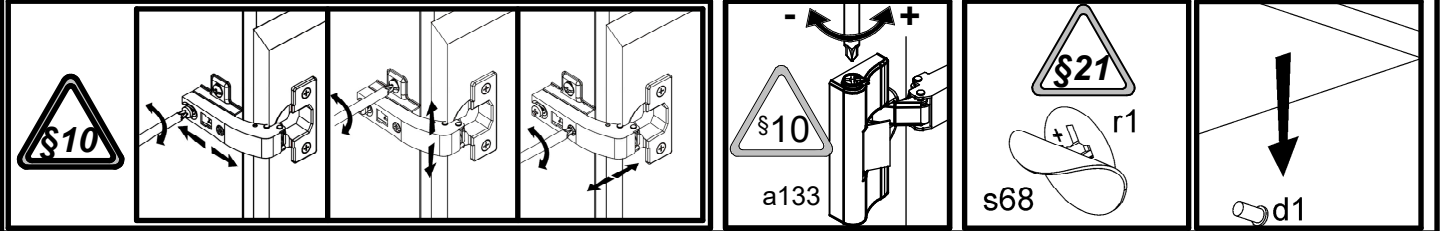
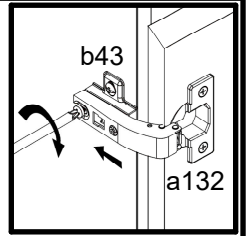
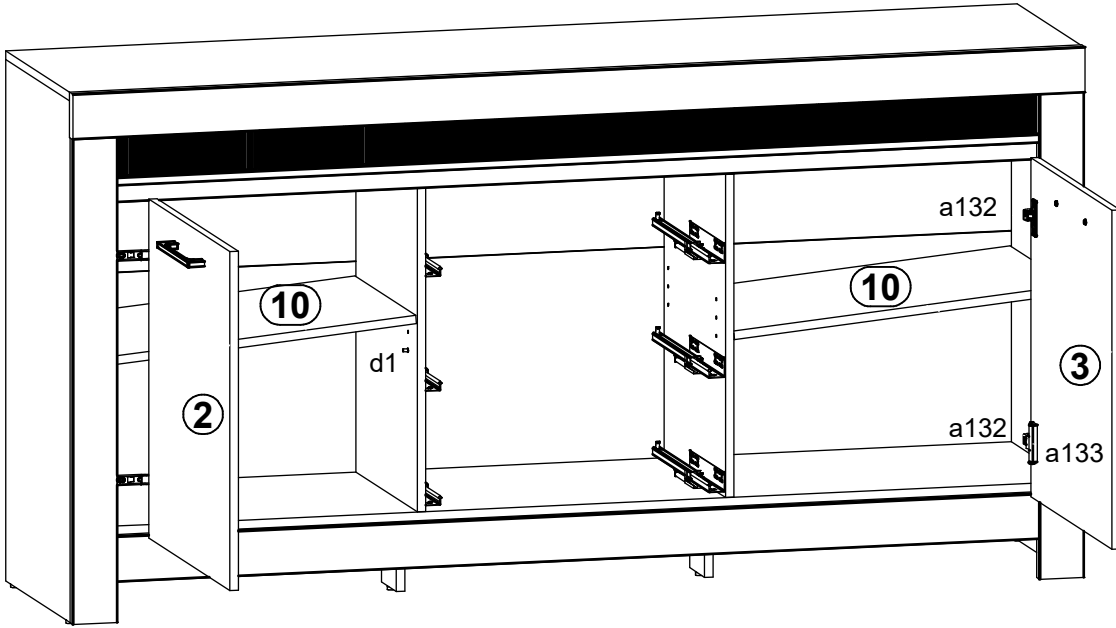
# 13



# 14



# 15



# 16

