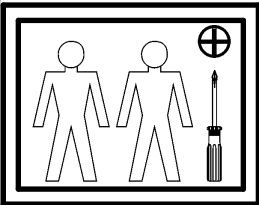
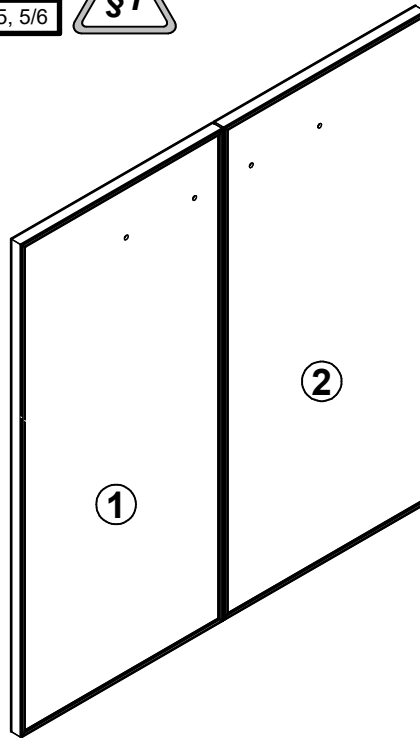
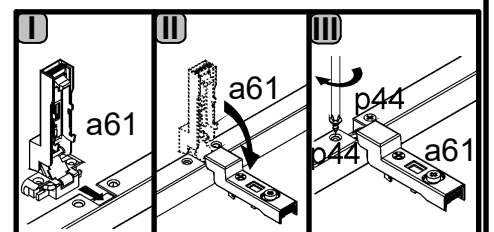
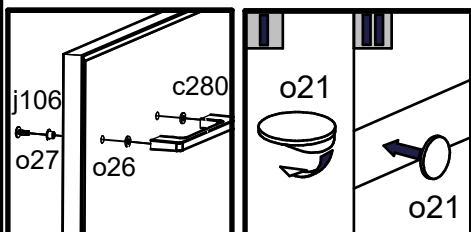
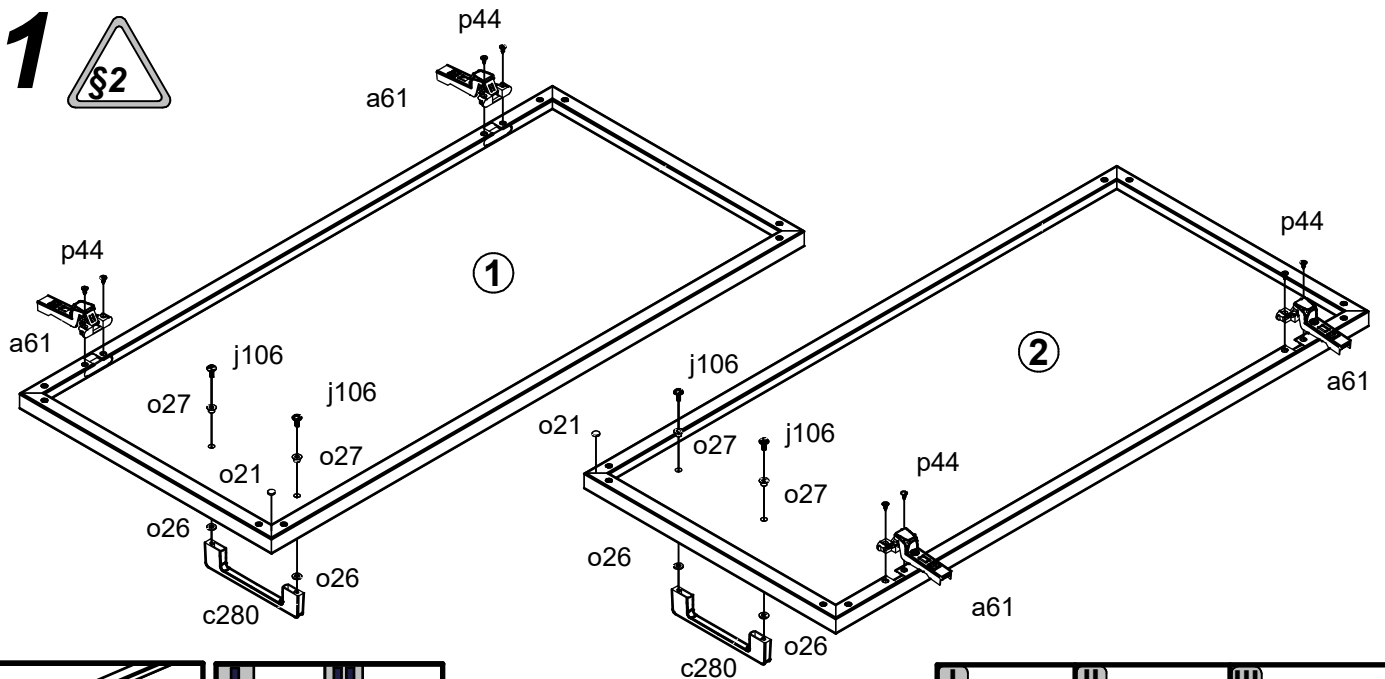


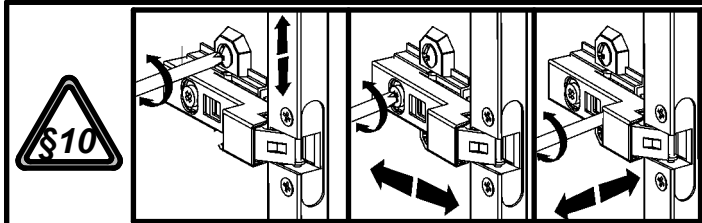
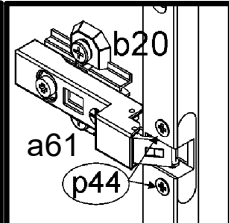
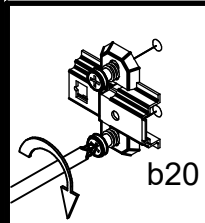
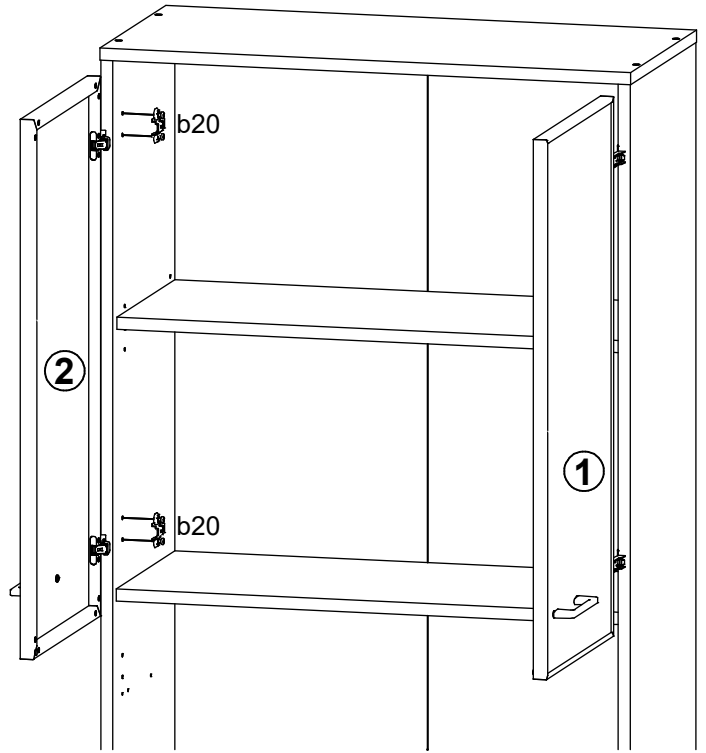
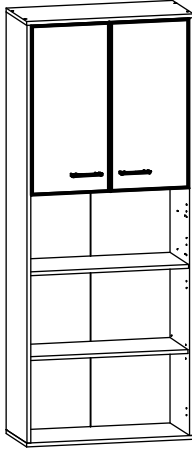
A	B	C	D	
1	S479-0011	798	377	2/2, 2/3, 3/3, 3/4, 5/5, 5/6
2	S479-0012	798	377	2/2, 2/3, 3/3, 3/4, 5/5, 5/6



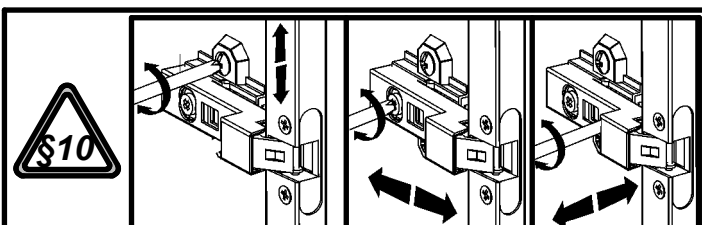
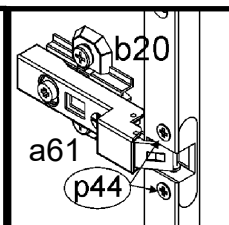
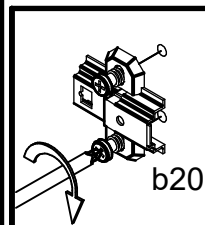
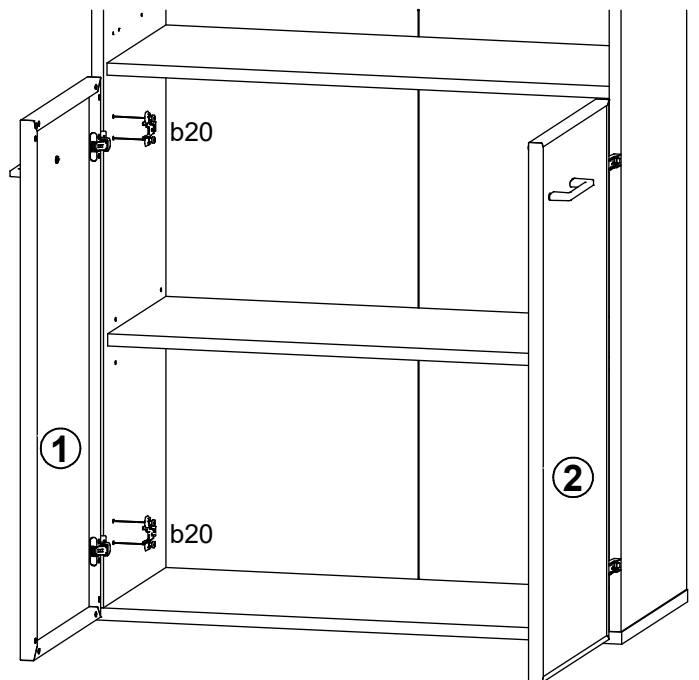
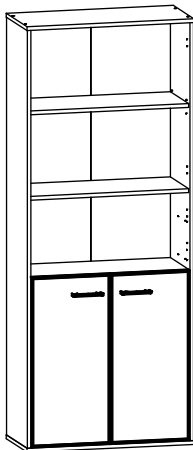
4x K16 a61	4x D1.5 b20	2x 128mm c280	4x M4x10 mm j106	2x silikon o21	4x Ø5/Ø10x1,4 mm o26	4x Ø6.5/Ø10x5.2 mm o27	8x Ø3.5x9.5 mm p44
------------------	-------------------	---------------------	------------------------	----------------------	----------------------------	------------------------------	--------------------------



# 2A



# 2B



# 2C

