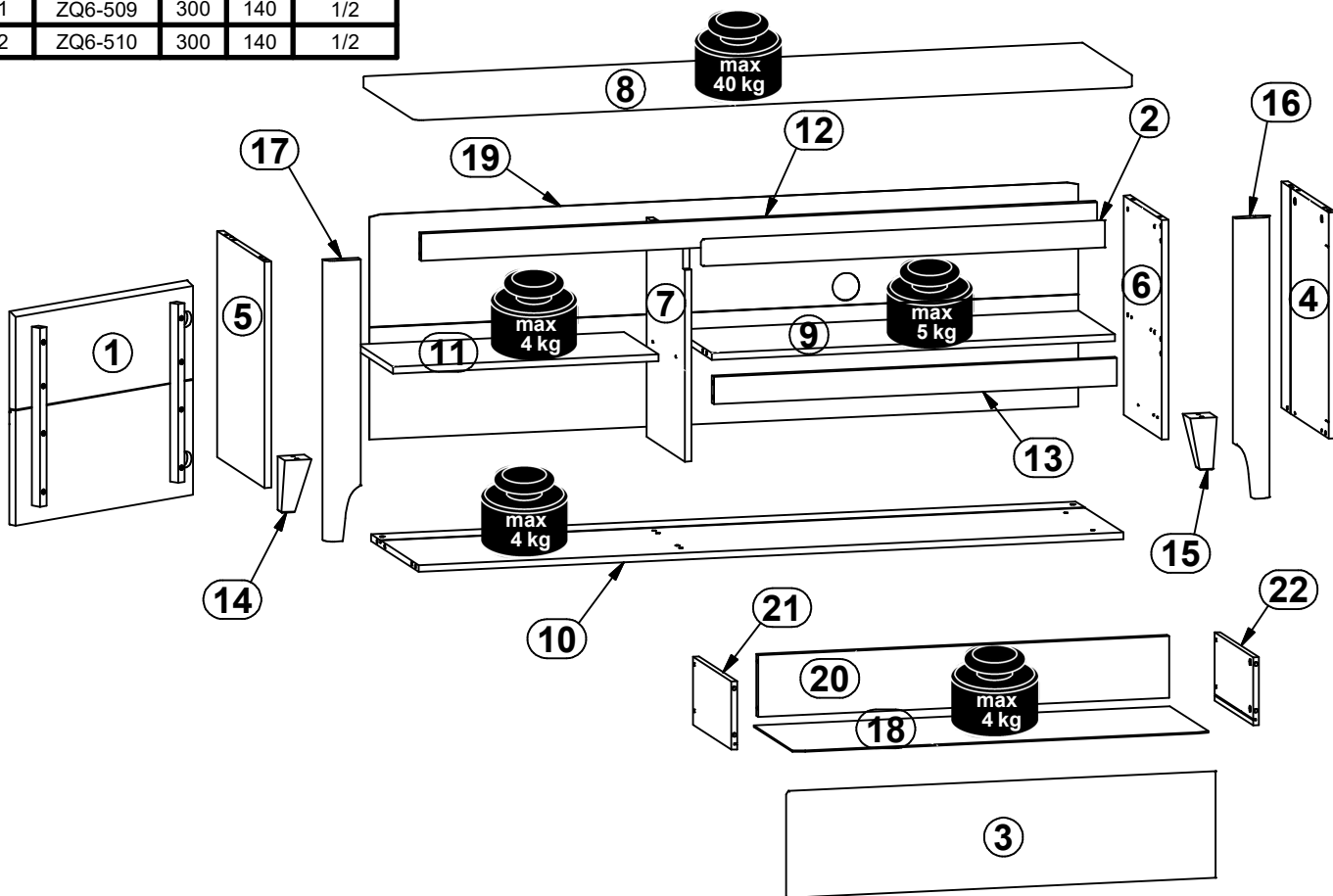
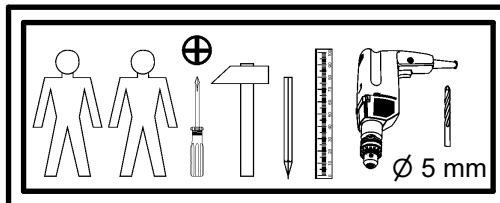
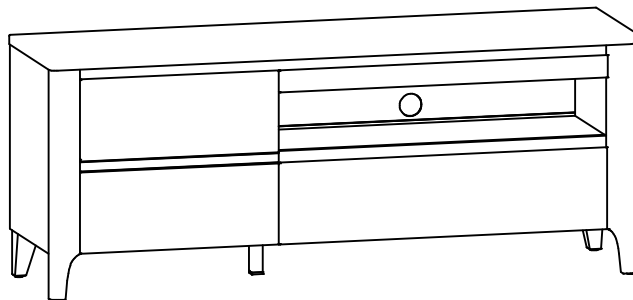
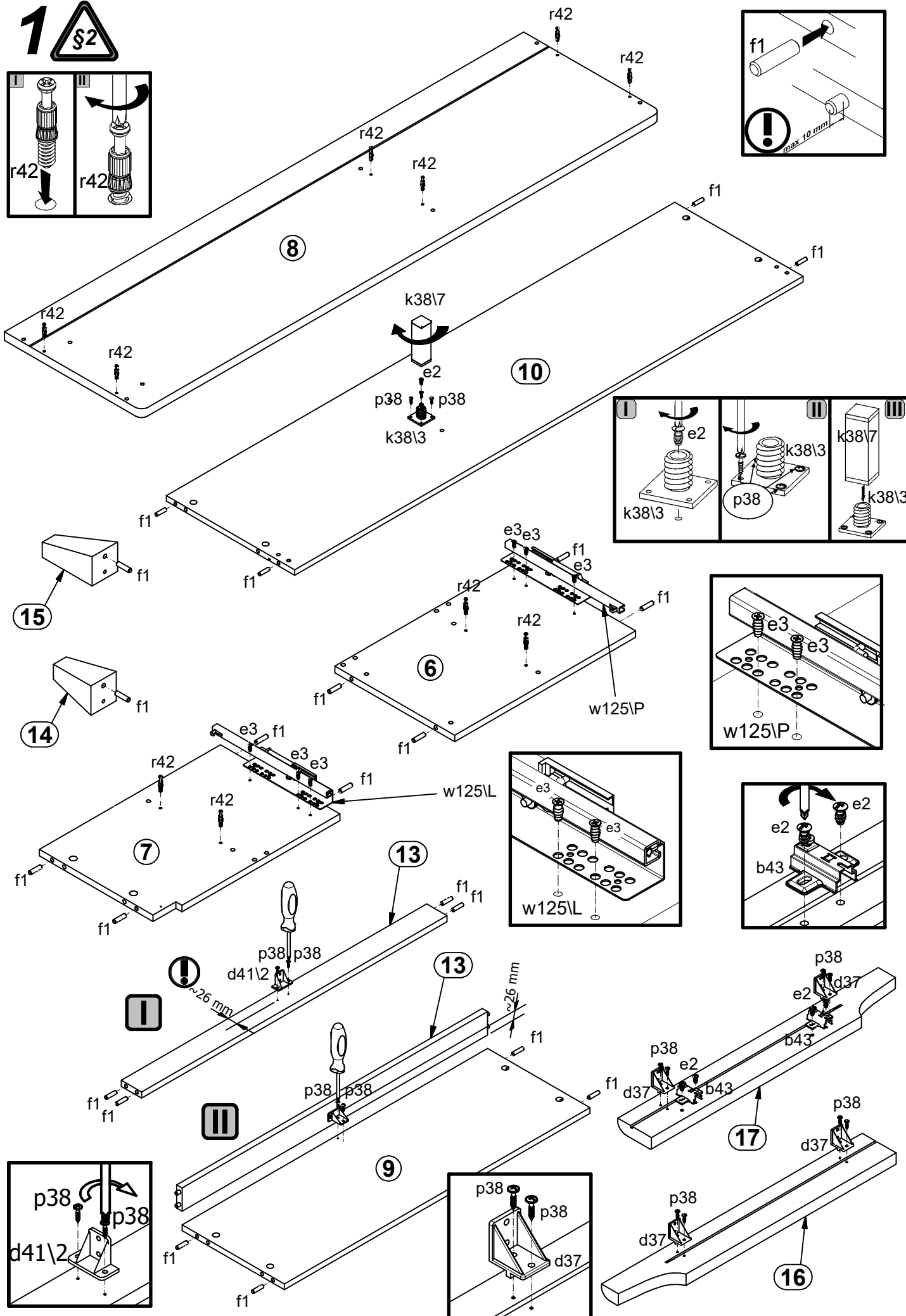
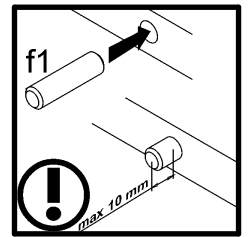
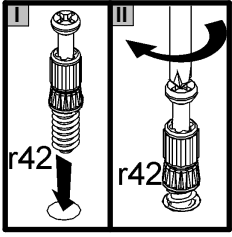


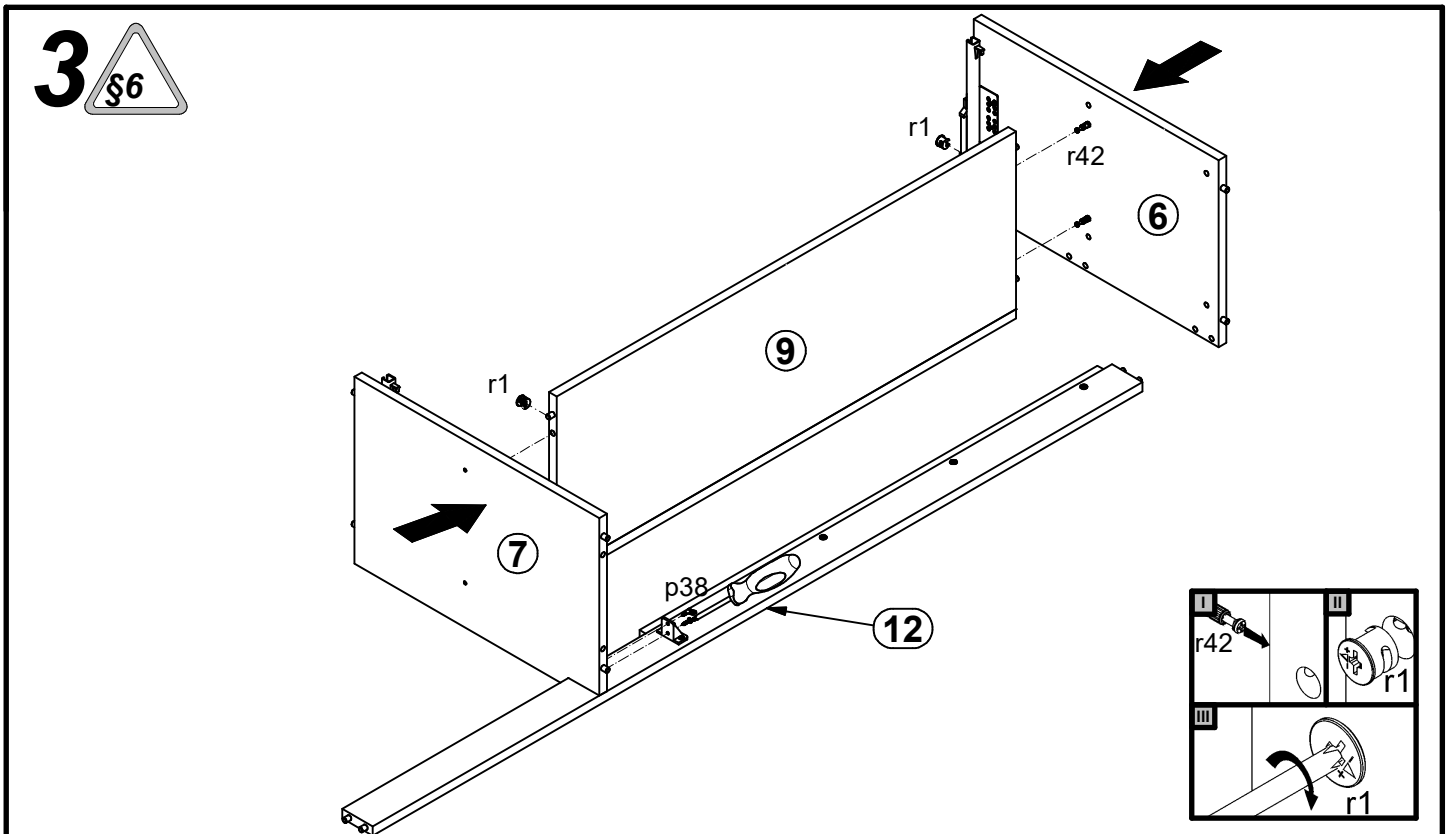
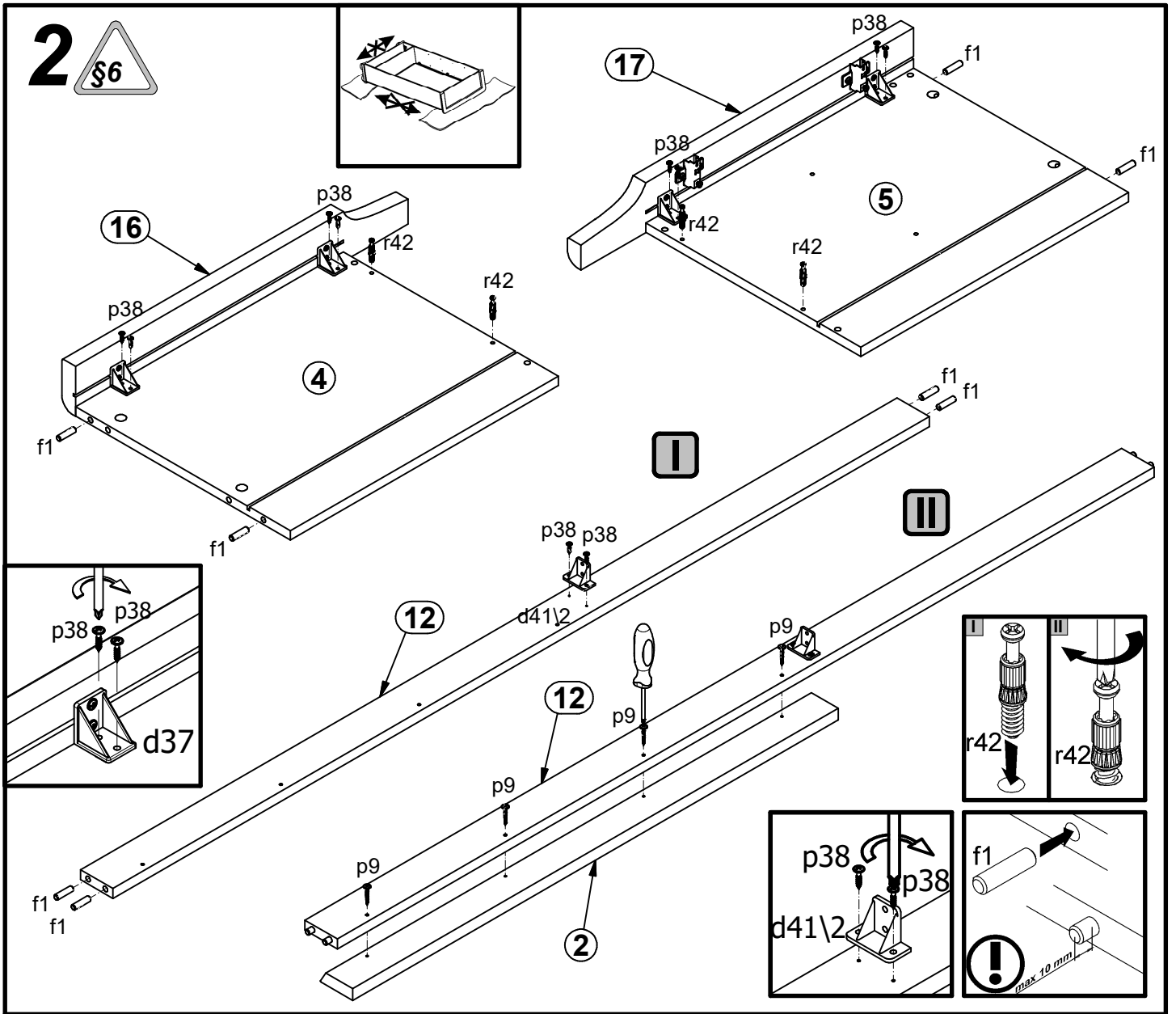
A	B	C	D	
1	S472-0002	542	468	2/2
2	S472-0006	899	60	2/2
3	S472-0007	896	220	2/2
4	S472-1011	496	398	1/2
5	S472-1012	496	398	1/2
6	S472-1013	481	318	1/2
7	S472-1014	481	318	1/2
8	S472-2004	1610	425	2/2
9	S472-3007	902	302	1/2
10	S472-3008	1576	398	1/2
11	S472-3009	594	288	1/2
12	S472-4007	1512	60	1/2
13	S472-4008	902	60	1/2
14	S472-5003	120	60	2/2
15	S472-5004	120	60	2/2
16	S472-5010	616	80	2/2
17	S472-5011	616	80	2/2
18	S472-9003	872	307	2/2
19	S472-9304	1586	493	1/2
20	ZQ6-5204	862	127	1/2
21	ZQ6-509	300	140	1/2
22	ZQ6-510	300	140	1/2



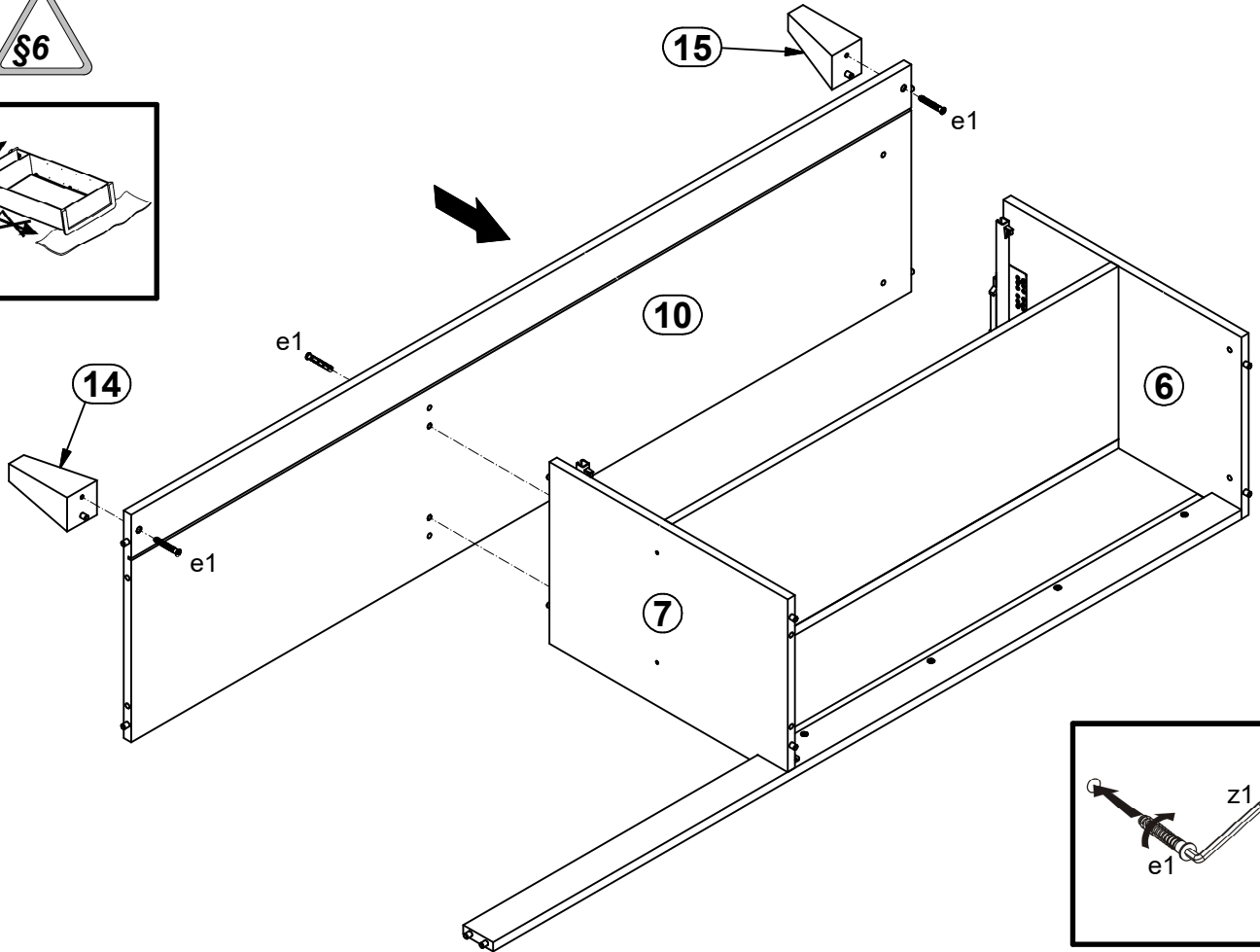
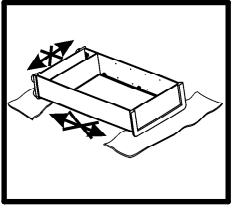
2x a132	1x a133	2x b43	4x Ø5x17 mm d1	4x d37	2x d41/2	4x Ø7x50 mm e1	5x Ø6,3x13 mm e2	6x Ø6x13 mm e3
30x Ø8x30 mm f1	4x Ø6,5x40 mm f25	1x 42,5x42,5x4 mm k38/3	1x 30x30/108 mm k38/7	4x Ø20x3mm k103	10x l2	4x Ø4x30 mm p9	1x Ø3,5x16 mm p25	1x Ø3,5x10 mm p35
34x Ø3,5x16 mm p38	4x Ø3,5x15 mm p51	5x Ø2,9x16 mm p55	14x Ø15x12 mm #16 r1	4x Ø12x10,5 mm #12 r15	18x 20/11 r42	1x 300 mm t25	4x Ø 20mm s68	1x 300mm w125/L
1x 300mm w125/P	1x 4 mm z1						1x n26	1x Ø3,5x16 mm p38

1 

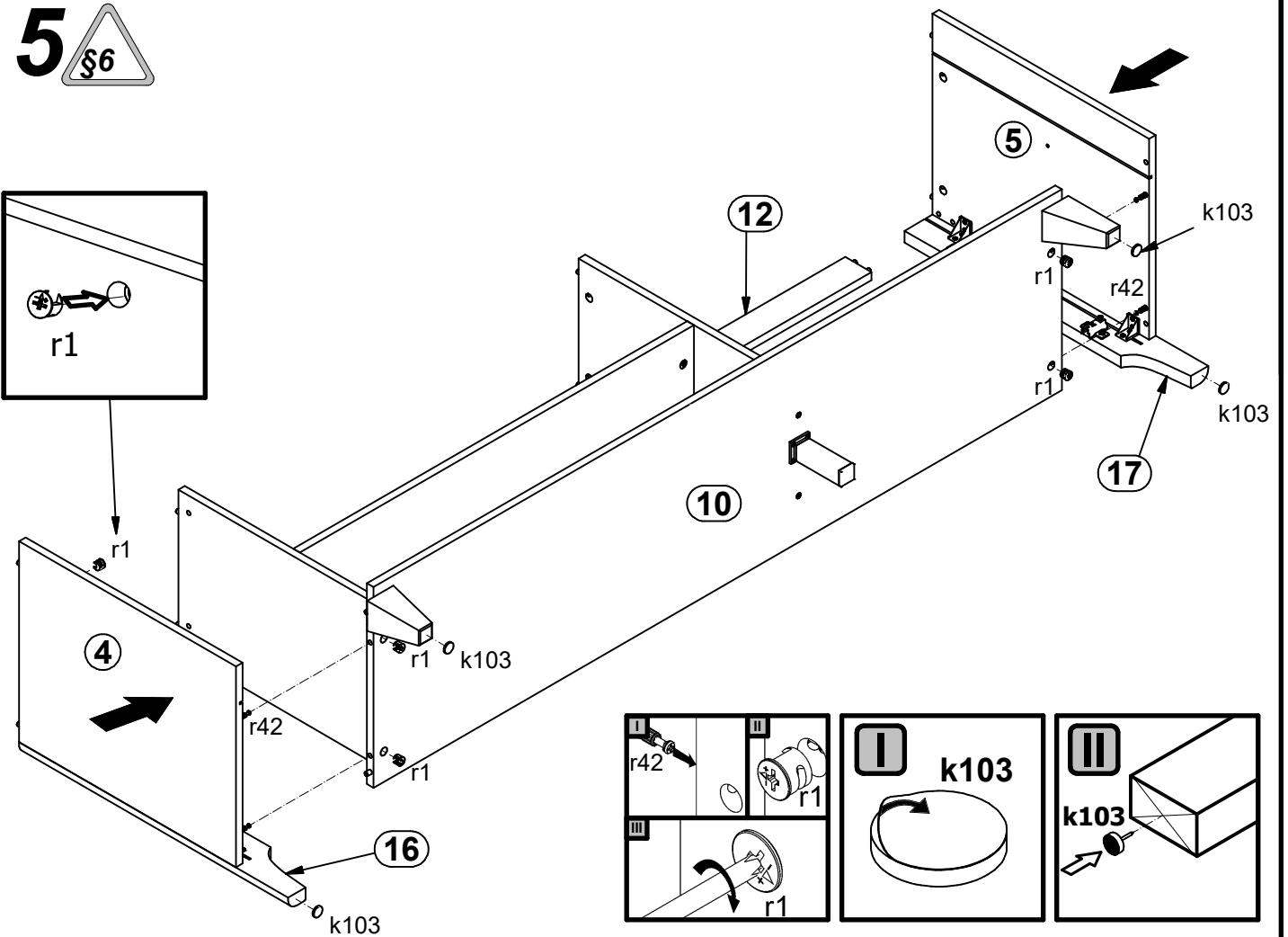
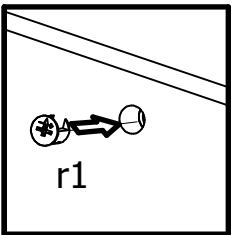


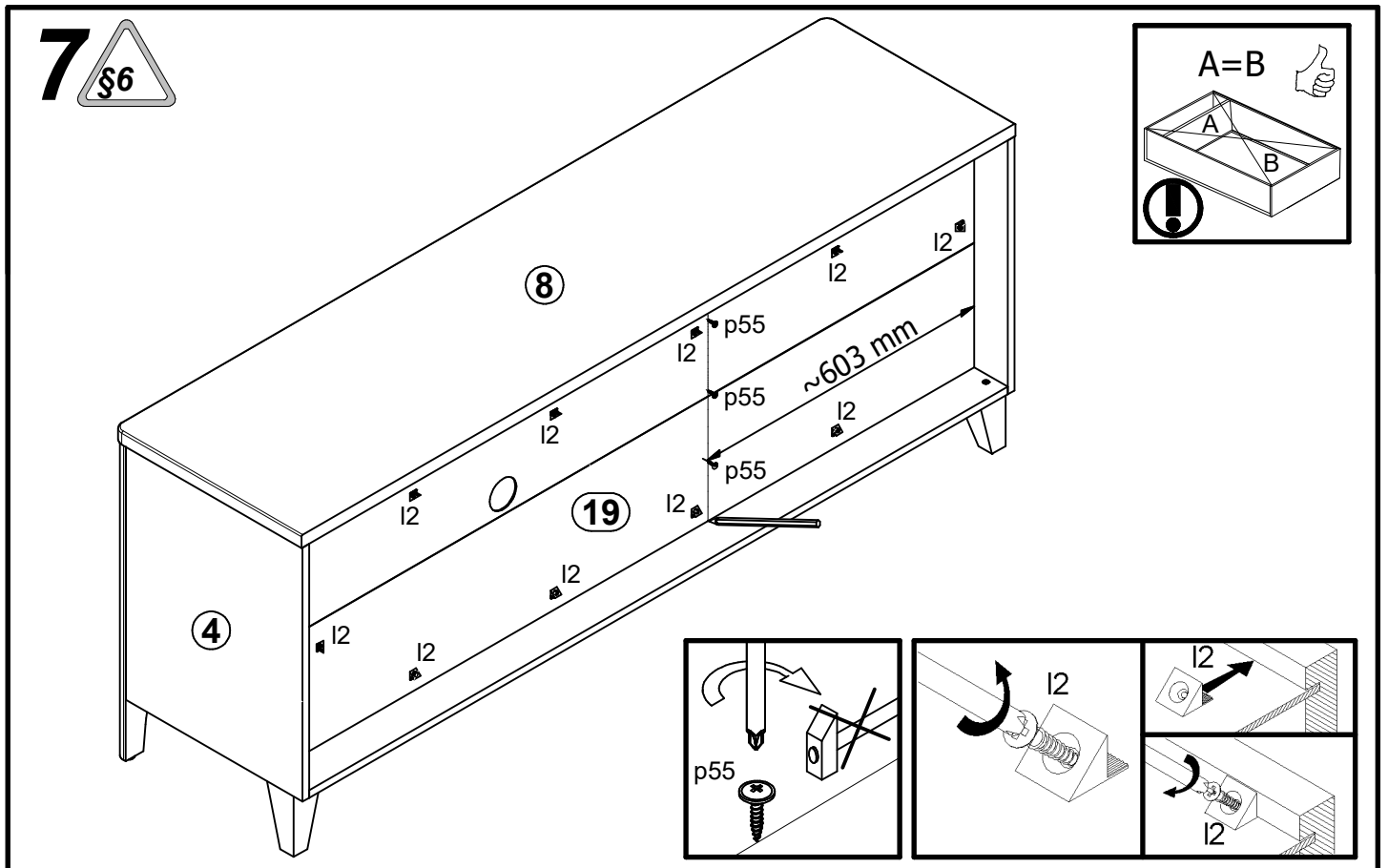
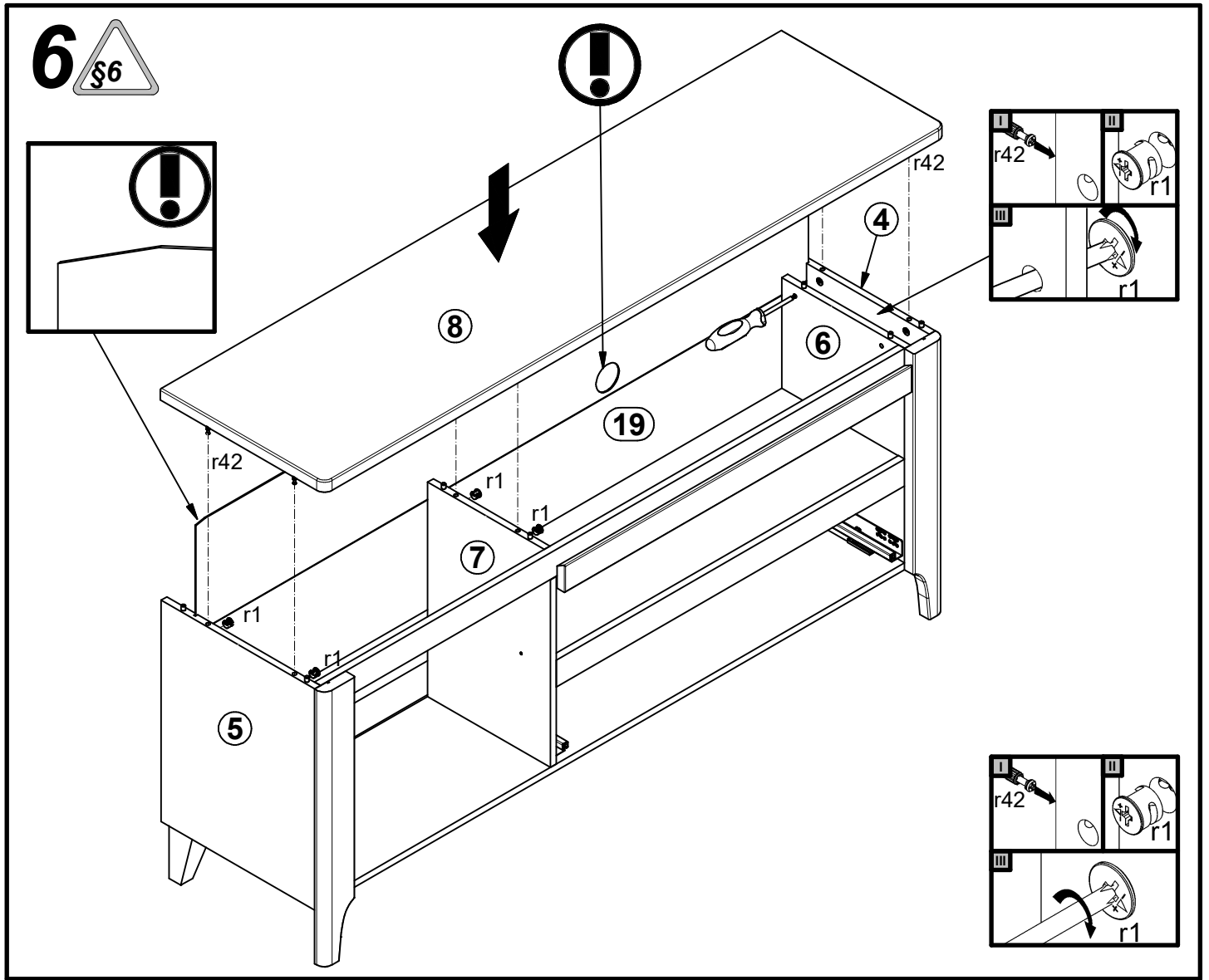


4

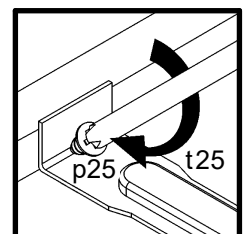
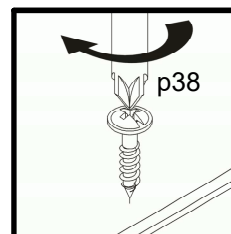
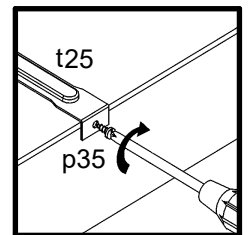
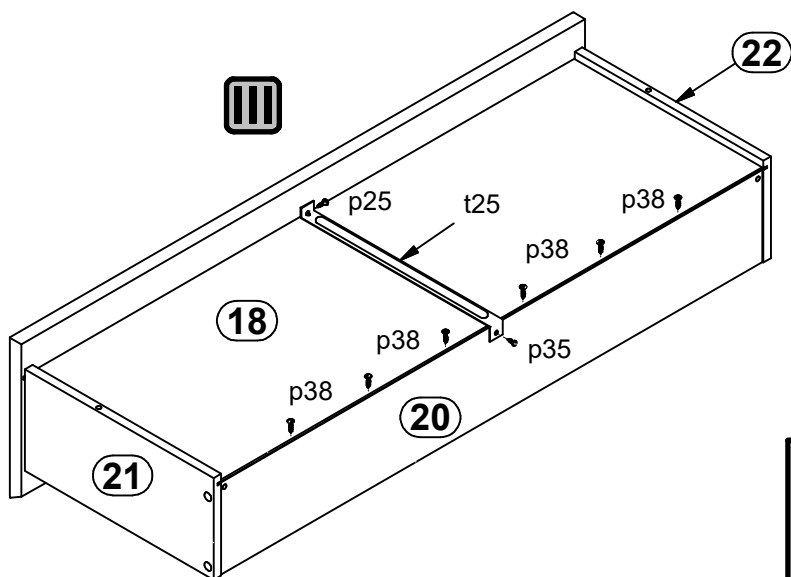
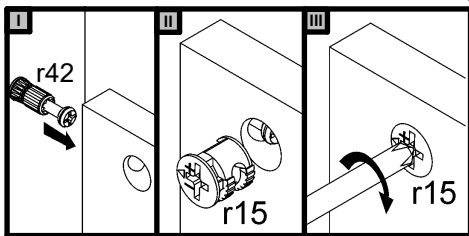
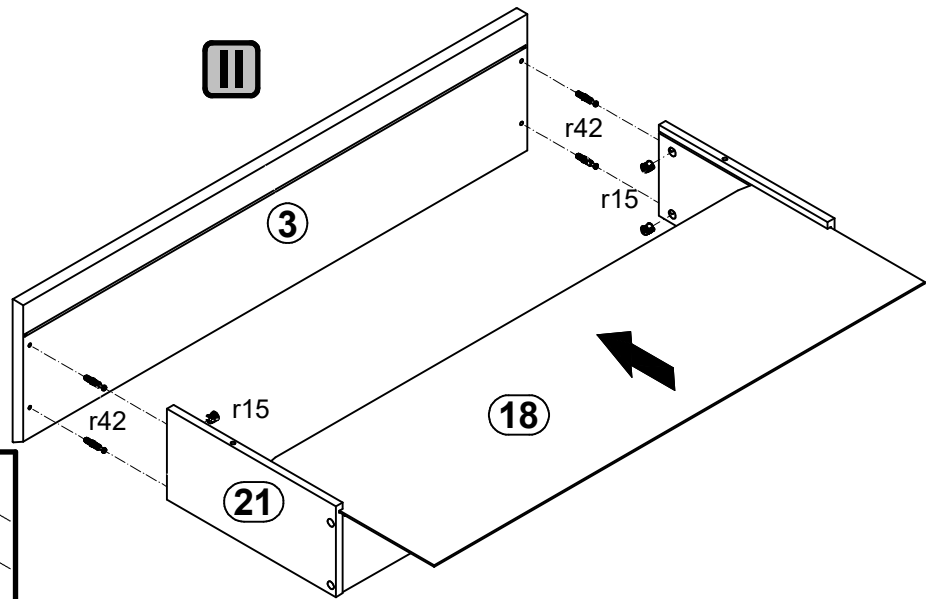
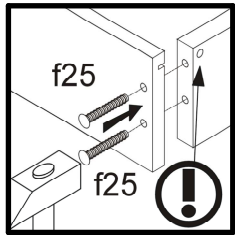
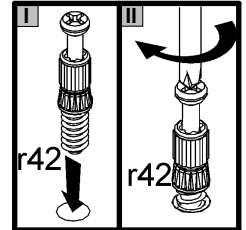
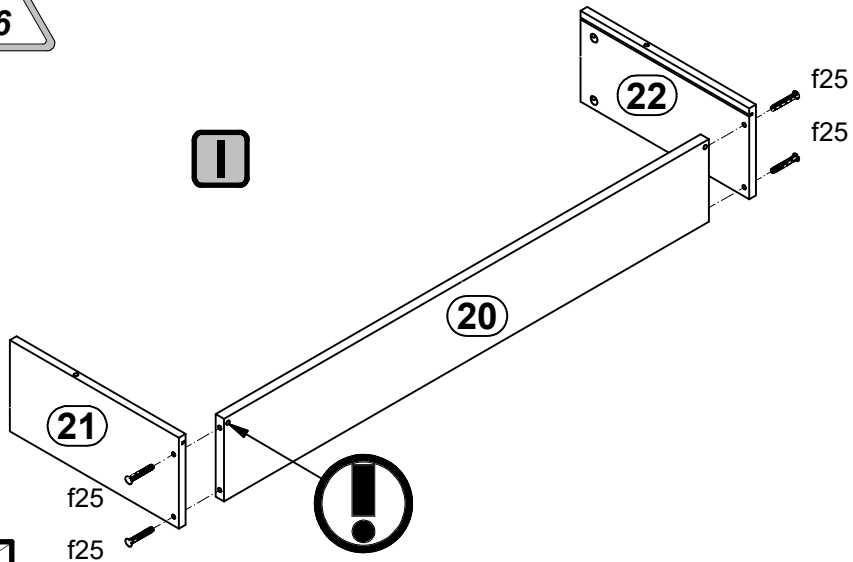
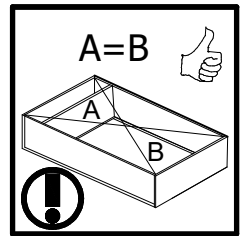


5

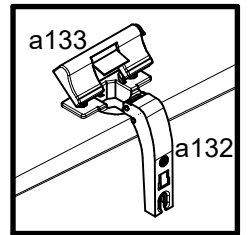
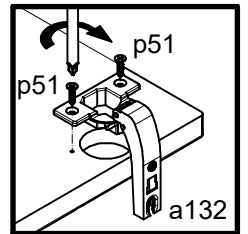
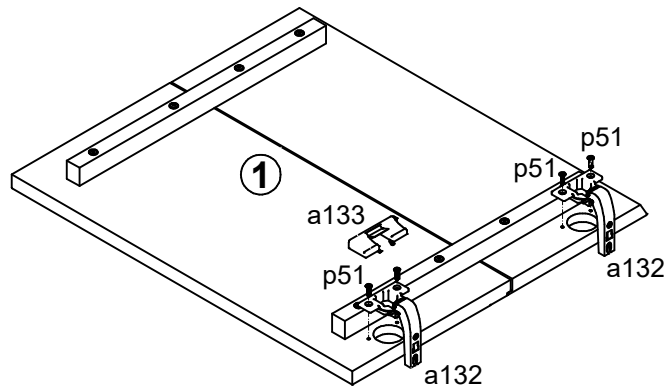




8  



9 §2



10 §6

