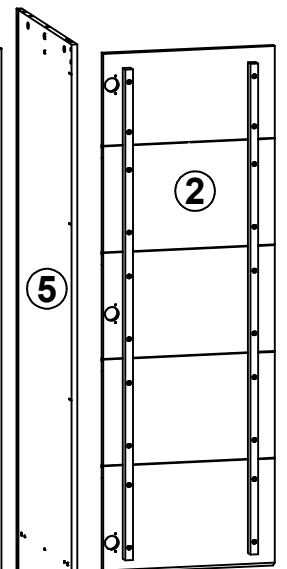
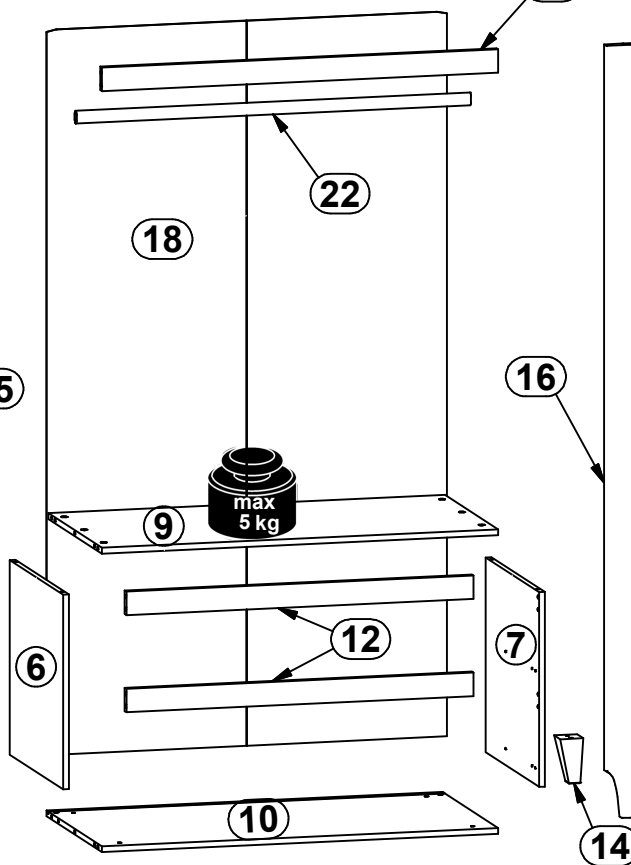
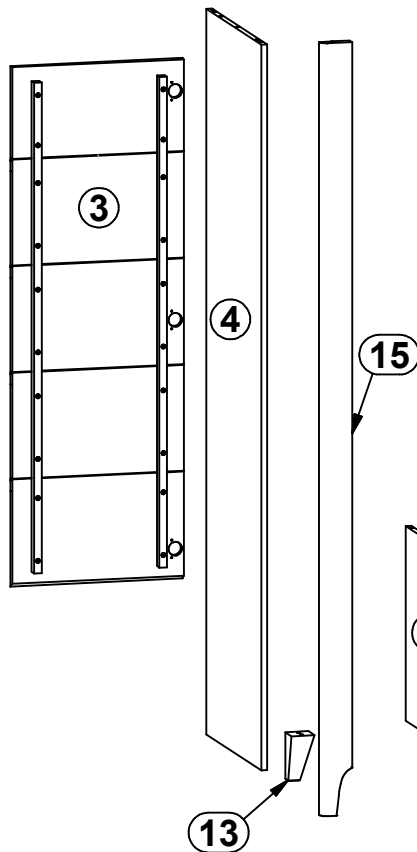
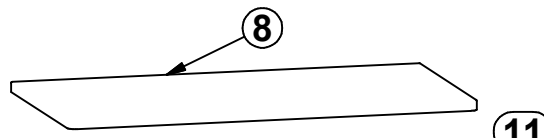
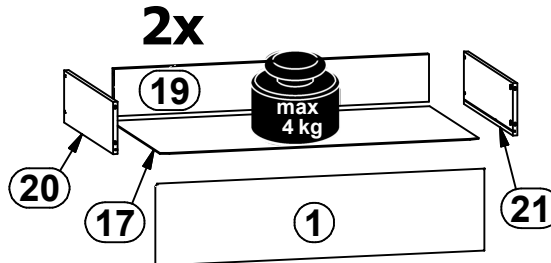
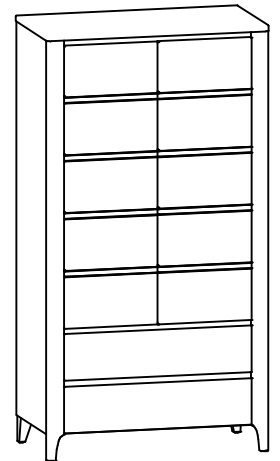
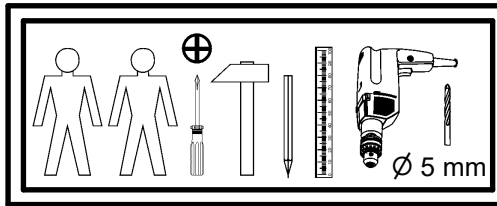
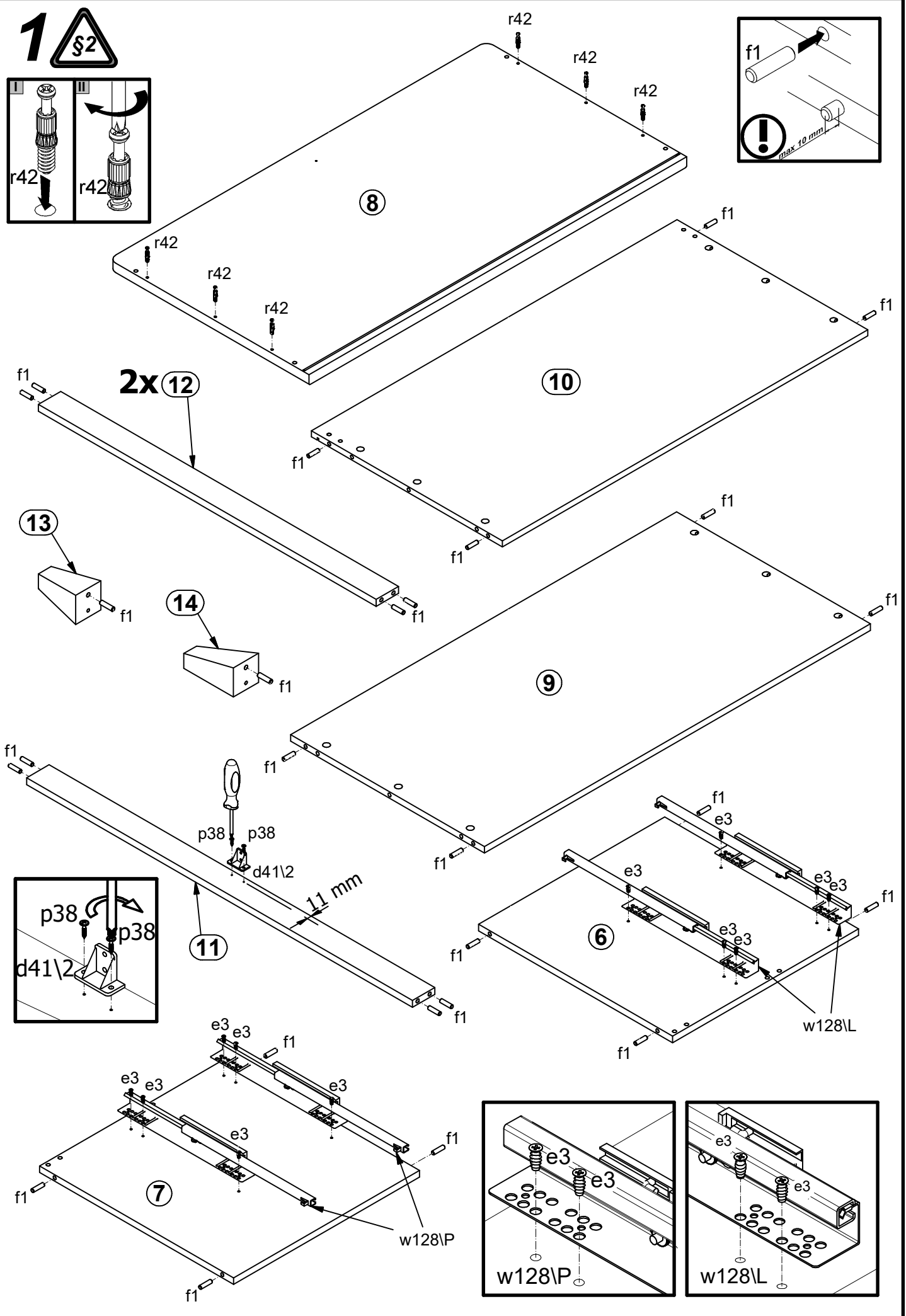
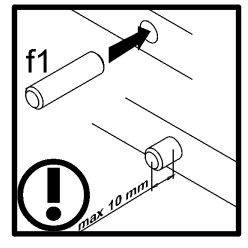
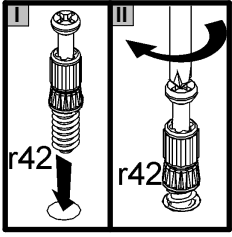


A	B	C	D	
1	S472-0010	896	220	3/3
2	S472-0011	1328	446	3/3
3	S472-0012	1328	446	3/3
4	S472-1018	1852	538	1/3
5	S472-1019	1852	538	1/3
6	S472-1020	497	518	2/3
7	S472-1021	497	518	2/3
8	S472-2006	1065	565	2/3
9	S472-3014	1031	518	2/3
10	S472-3015	1031	538	2/3
11	S472-4010	1031	60	2/3
12	S472-4011	903	60	1/3
13	S472-5003	120	60	2/3
14	S472-5004	120	60	2/3
15	S472-5016	1972	80	1/3
16	S472-5017	1972	80	1/3
17	S472-9006	873	507	2/3
18	S472-9306	1850	1041	1/3
19	ZQ6-5205	863	127	1/3
20	ZQ6-515	500	140	2/3
21	ZQ6-516	500	140	2/3
22	dr-1026	1026	30	2/3

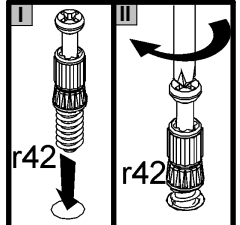
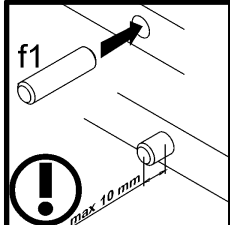
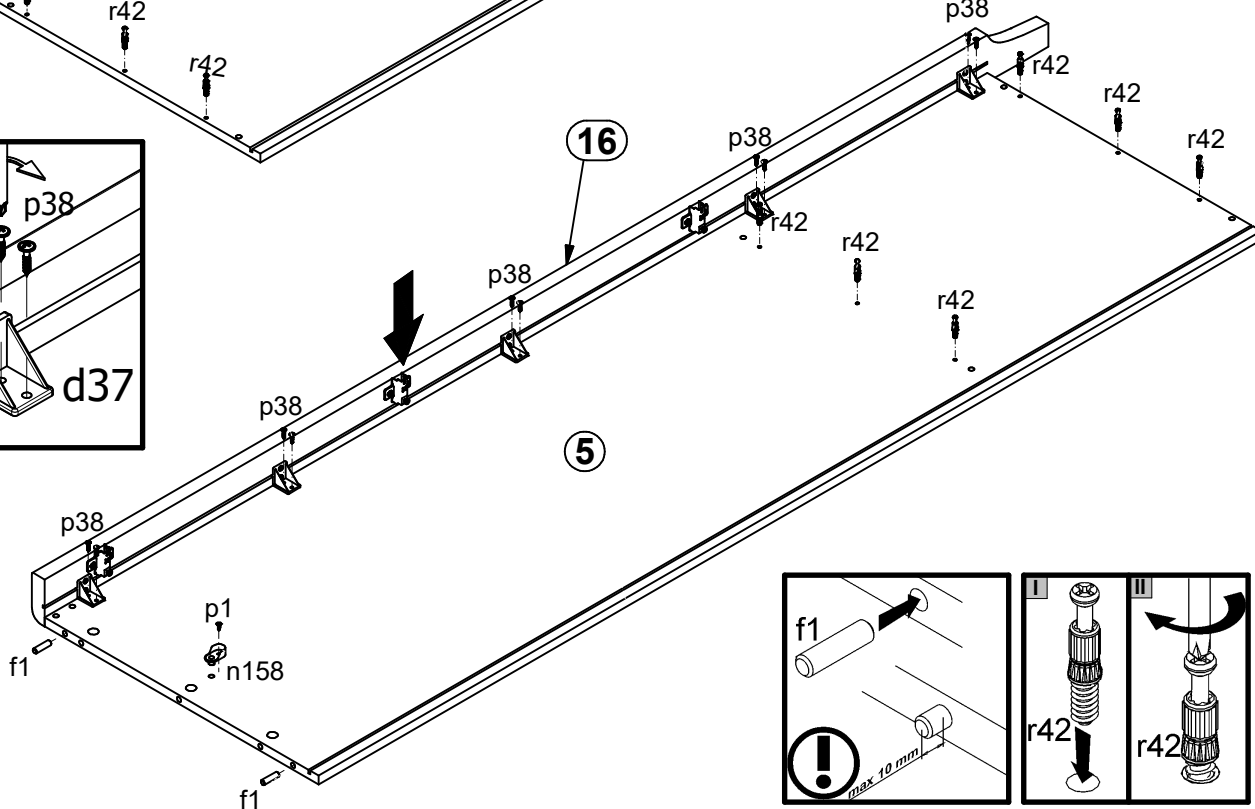
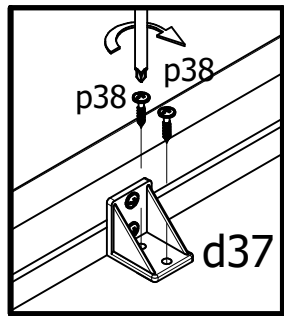
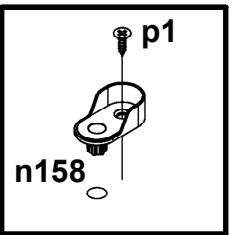
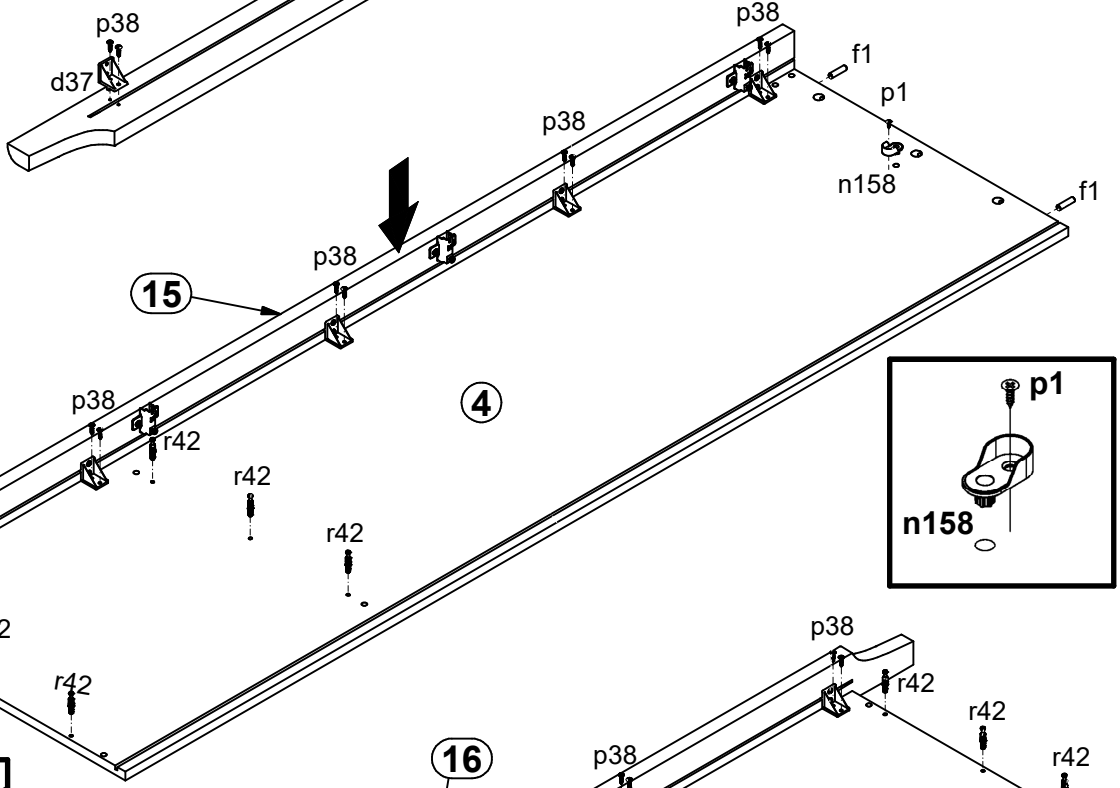
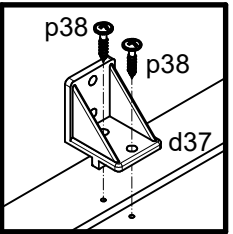
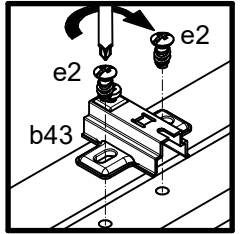
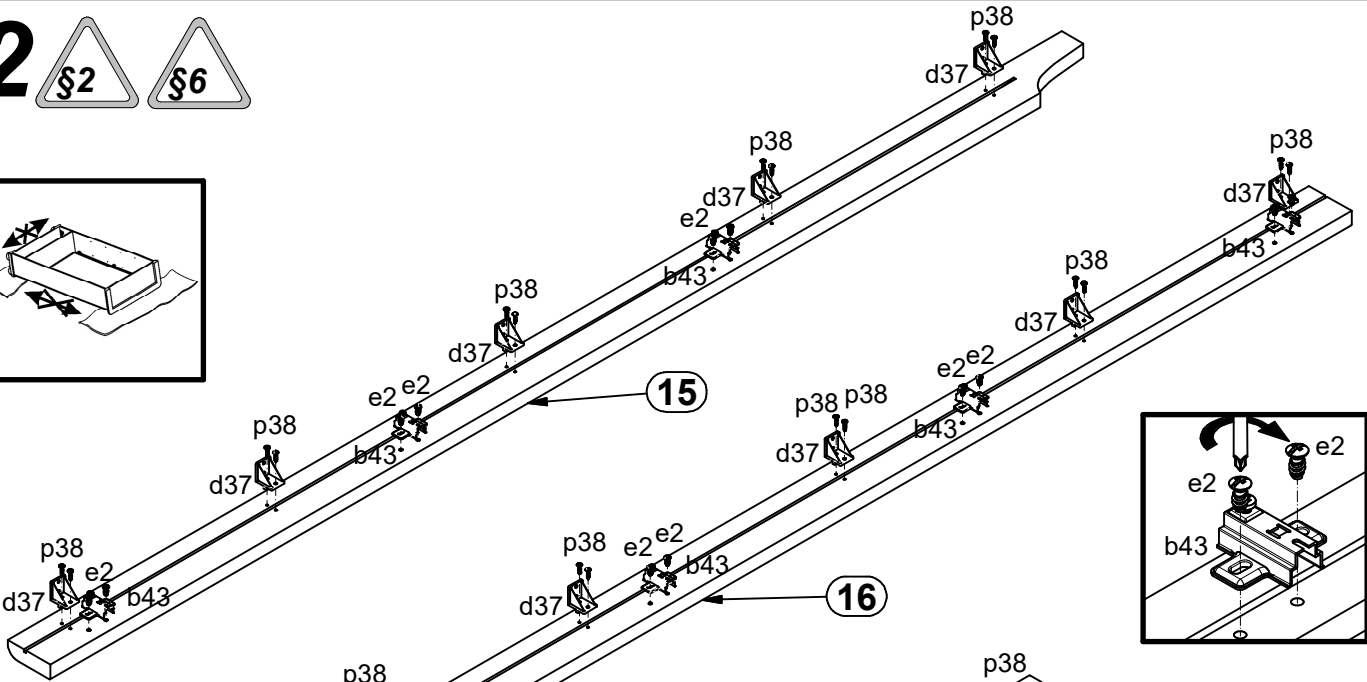
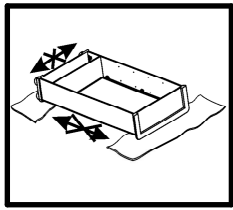


6x  a132	2x  a133	6x  b43	10x  d37	1x  d41/2	2x  e1 Ø7x50 mm	12x  e2 Ø6,3x13 mm	12x  e3 Ø6x13 mm	34x  f1 Ø8x30 mm
8x  f25 Ø6,5x40 mm	4x  k103 Ø20x3mm	16x  l2	2x  n158	2x  p1 Ø3,5x13 mm	2x  p25 Ø3,5x16 mm	2x  p35 Ø3,5x10 mm	56x  p38 Ø3,5x16 mm	12x  p51 Ø3,5x15 mm
9x  p55 Ø2,9x16 mm	18x  r1 Ø15x12 mm #16	8x  r15 Ø12x10,5 mm #12	26x  r42 20/11	2x  t34 500 mm	2x  w128/L 500 mm	2x  w128/P 500 mm	12x  s68 Ø20mm	1x  z1 4 mm
					1x  n14/2 86x21x15/1,5	2x  p38 Ø3,5x16 mm	1x  f35 Ø10x50 mm	1x  p17 Ø5x60 mm

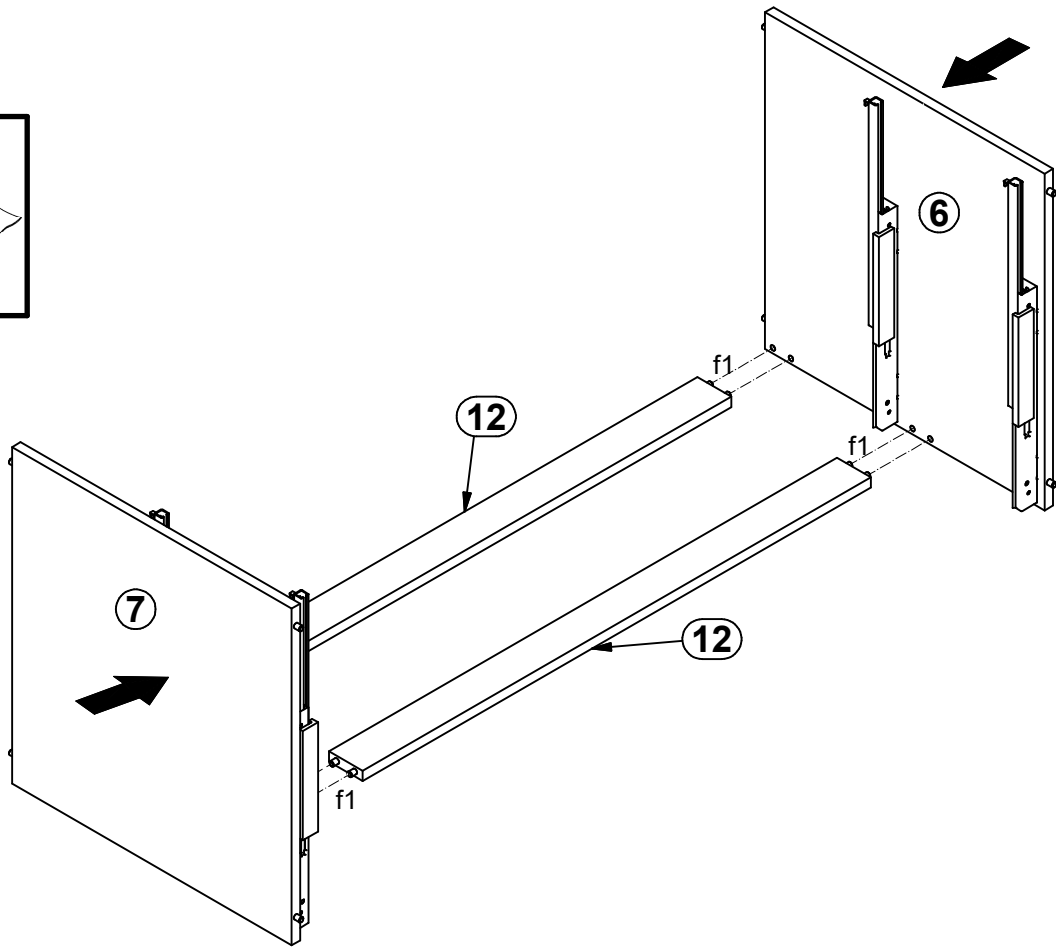
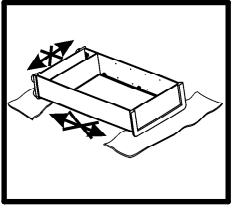
1  §2



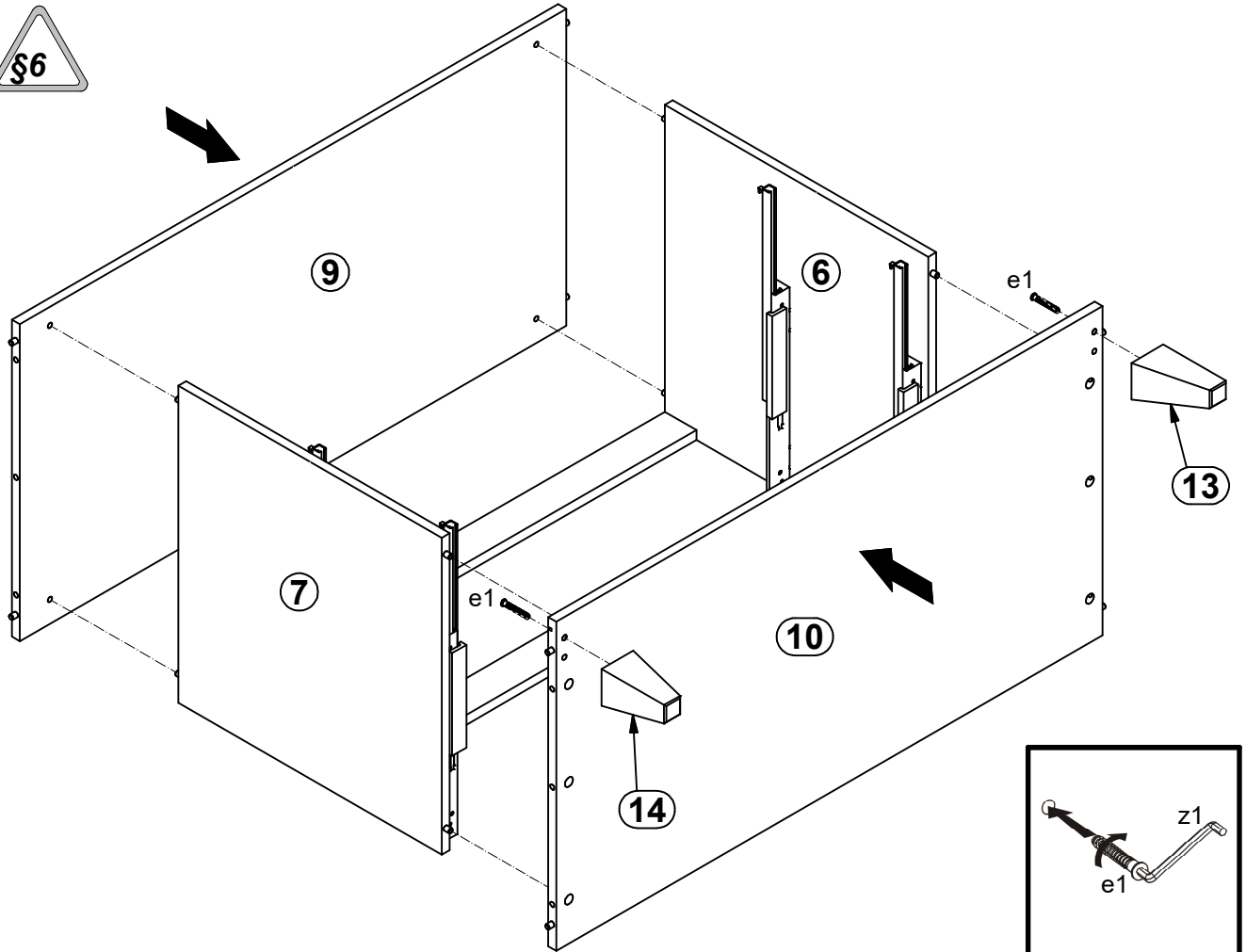
2  



3 

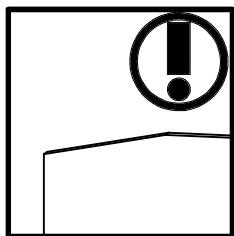
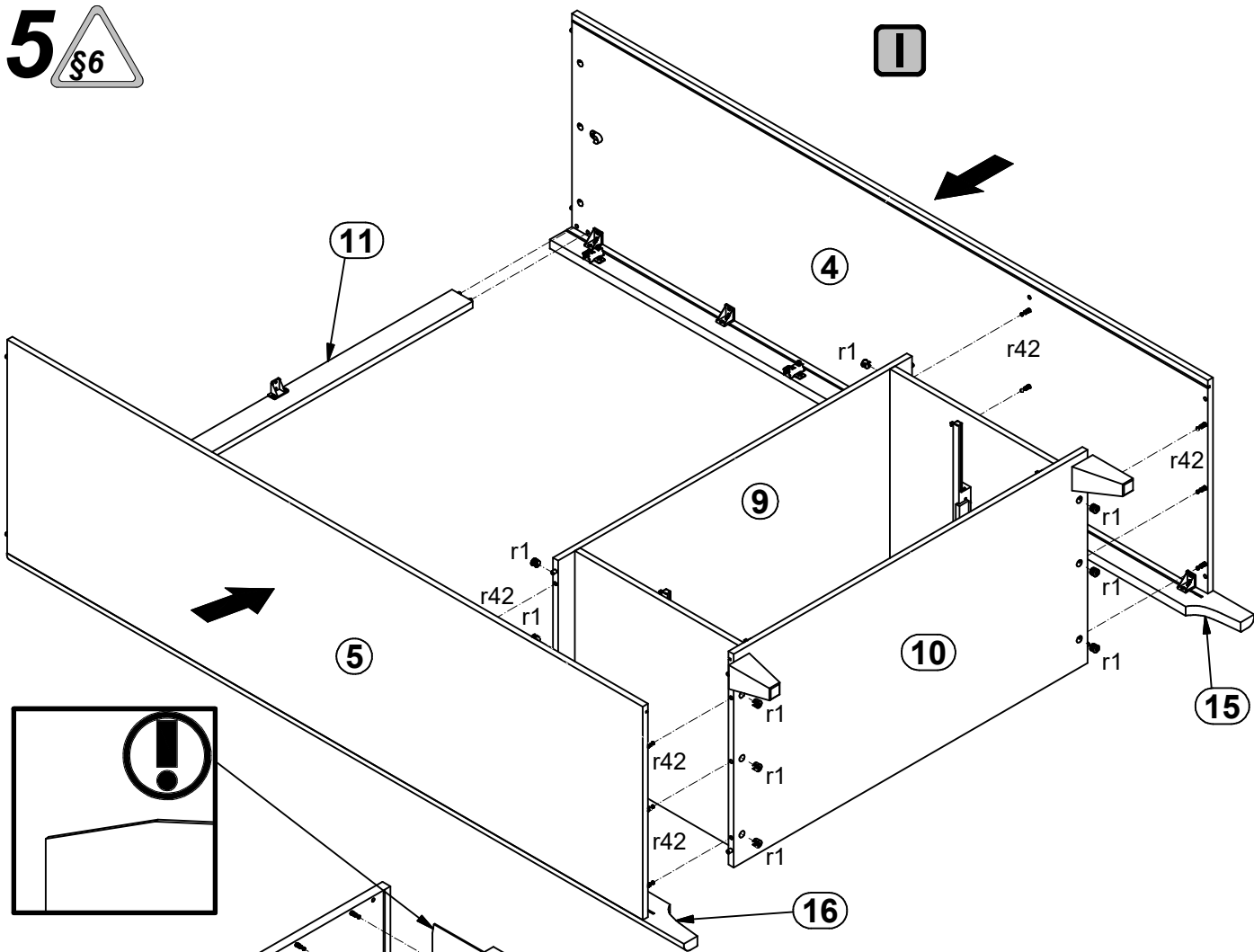


4 

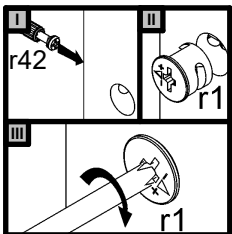
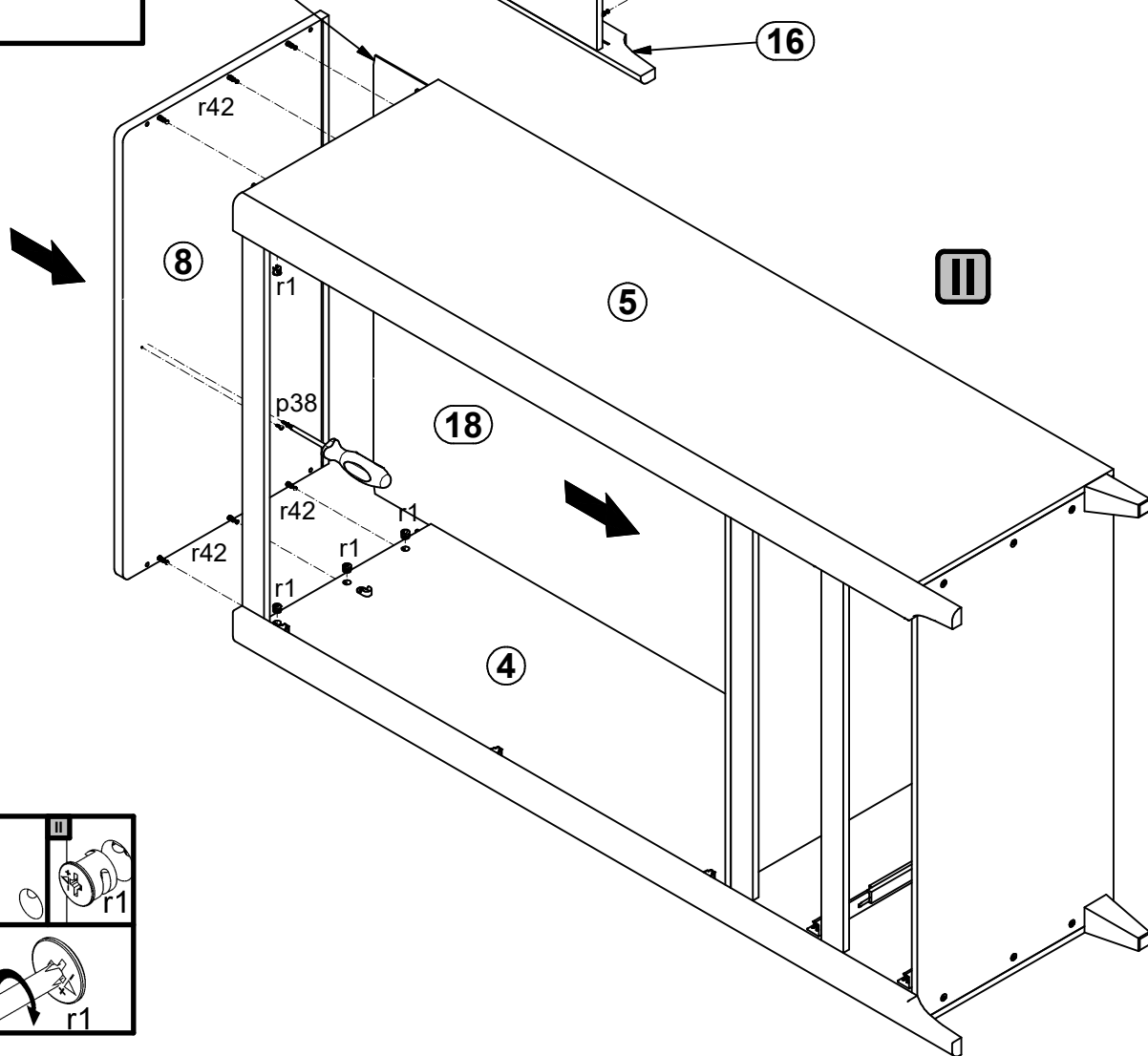


5 

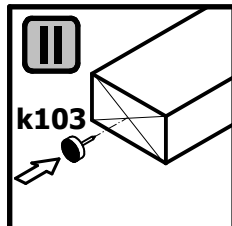
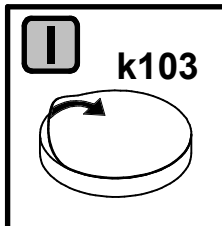
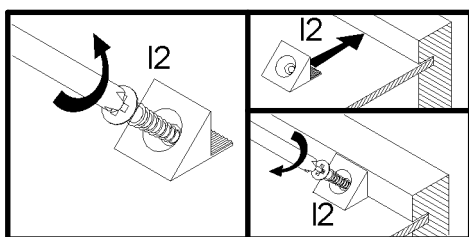
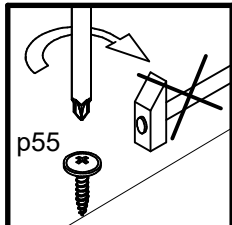
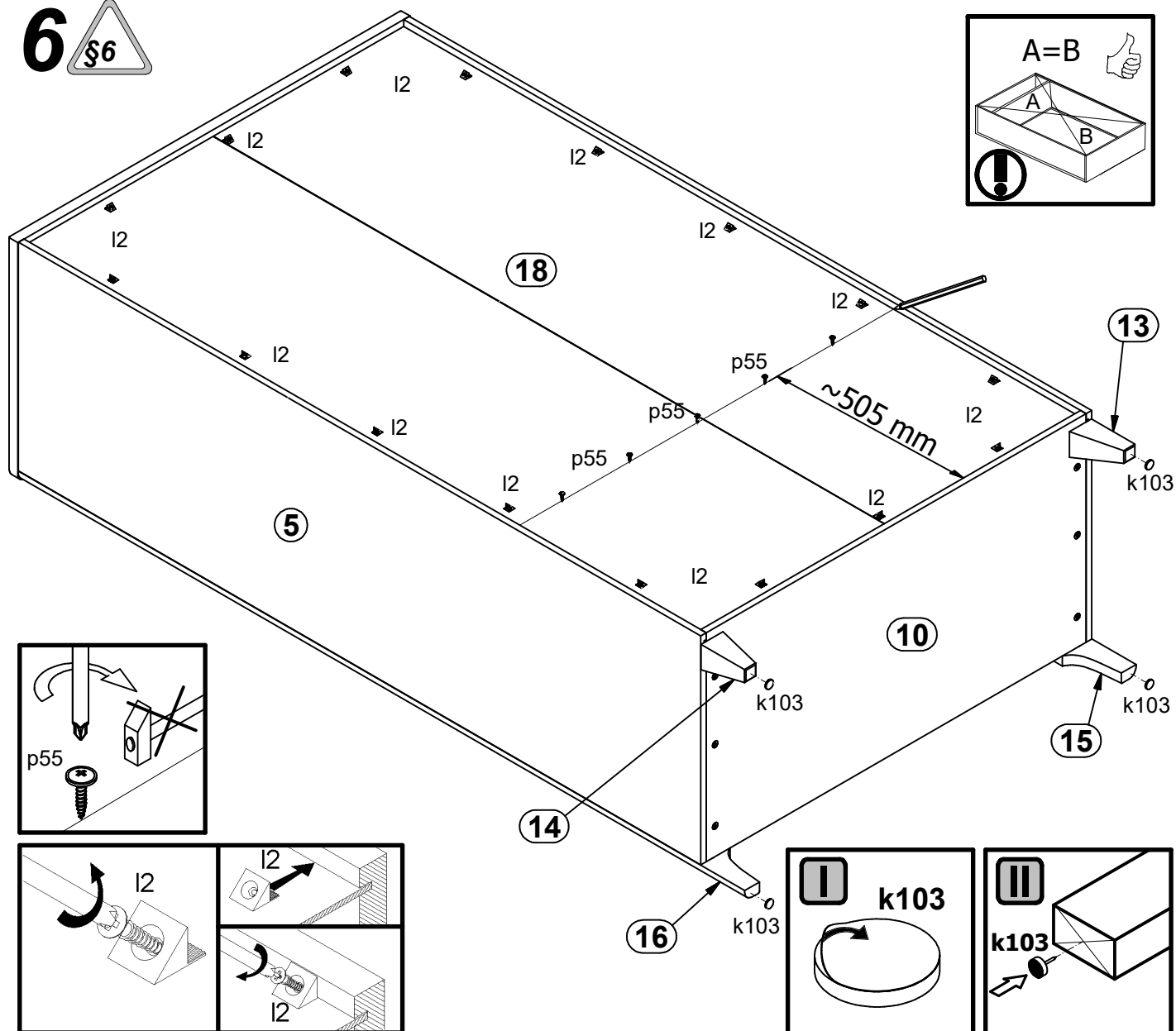
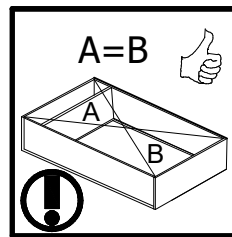
I



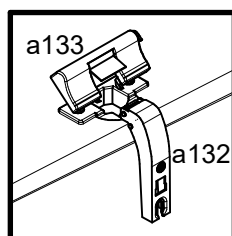
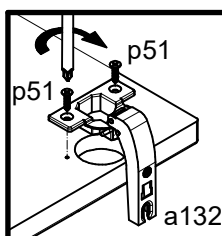
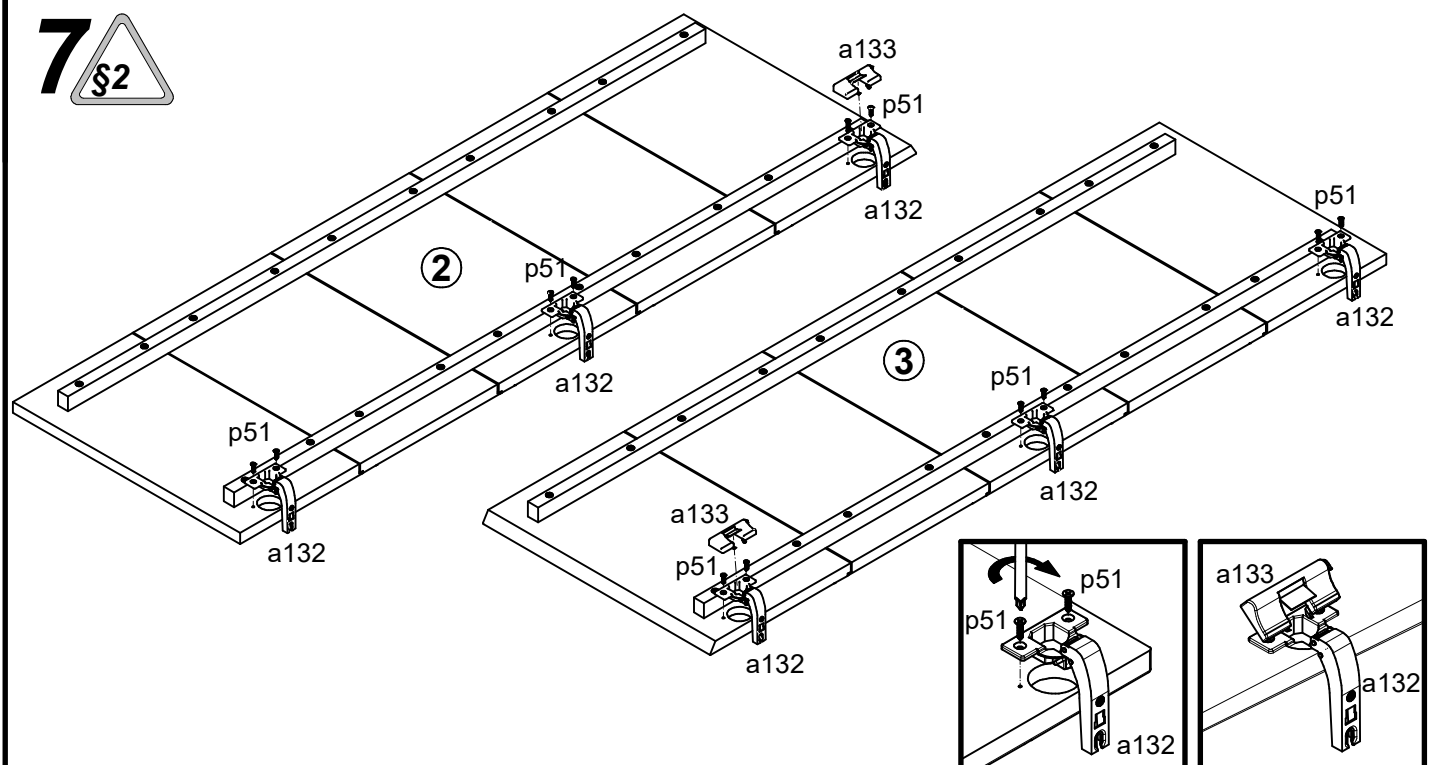
III



# 6

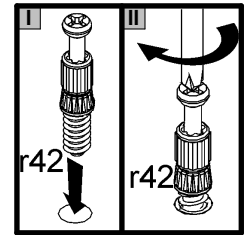
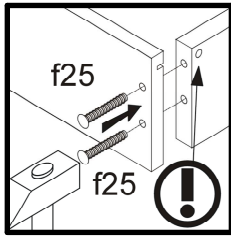
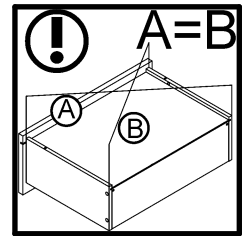
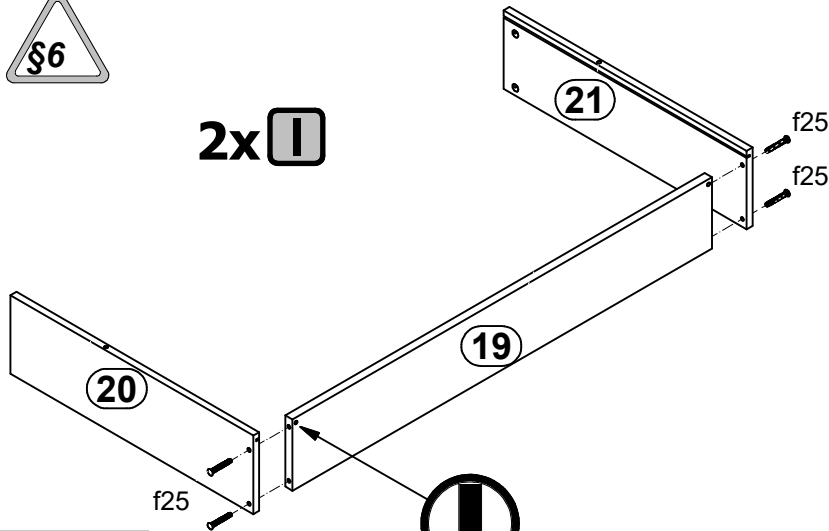


# 7

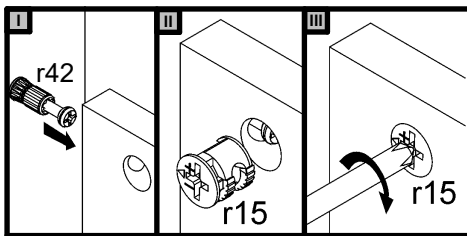
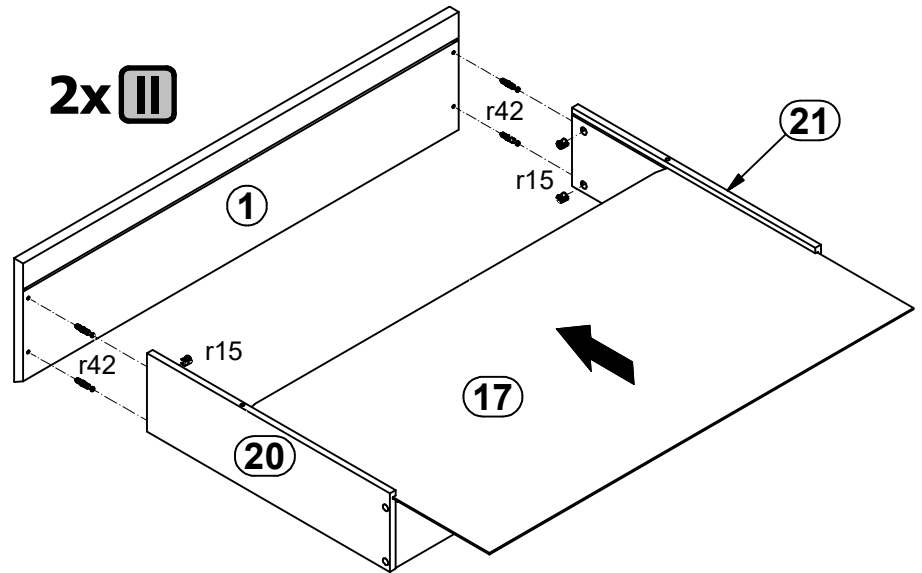


8  

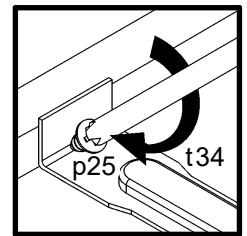
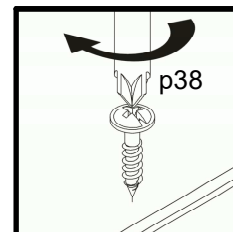
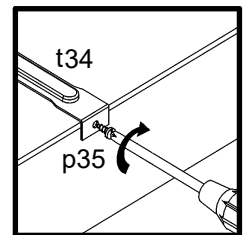
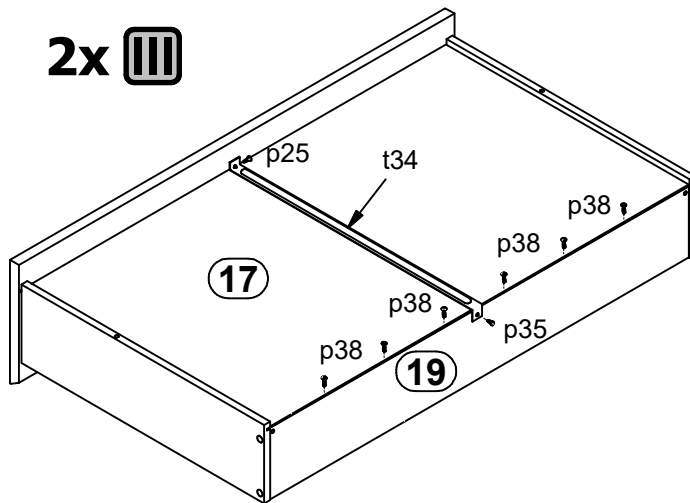
2x I



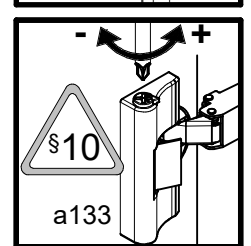
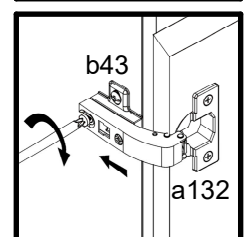
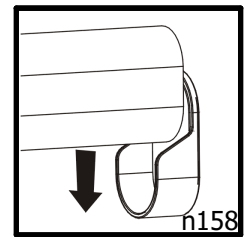
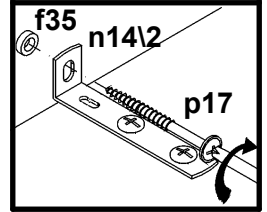
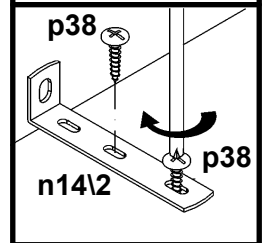
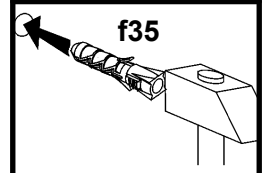
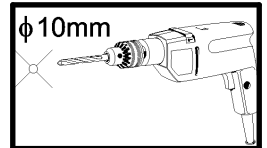
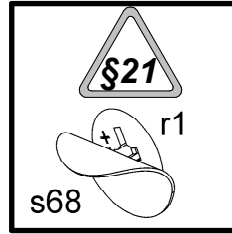
2x II



2x III



9 §6



p38  
f35  
n14/2  
p17

