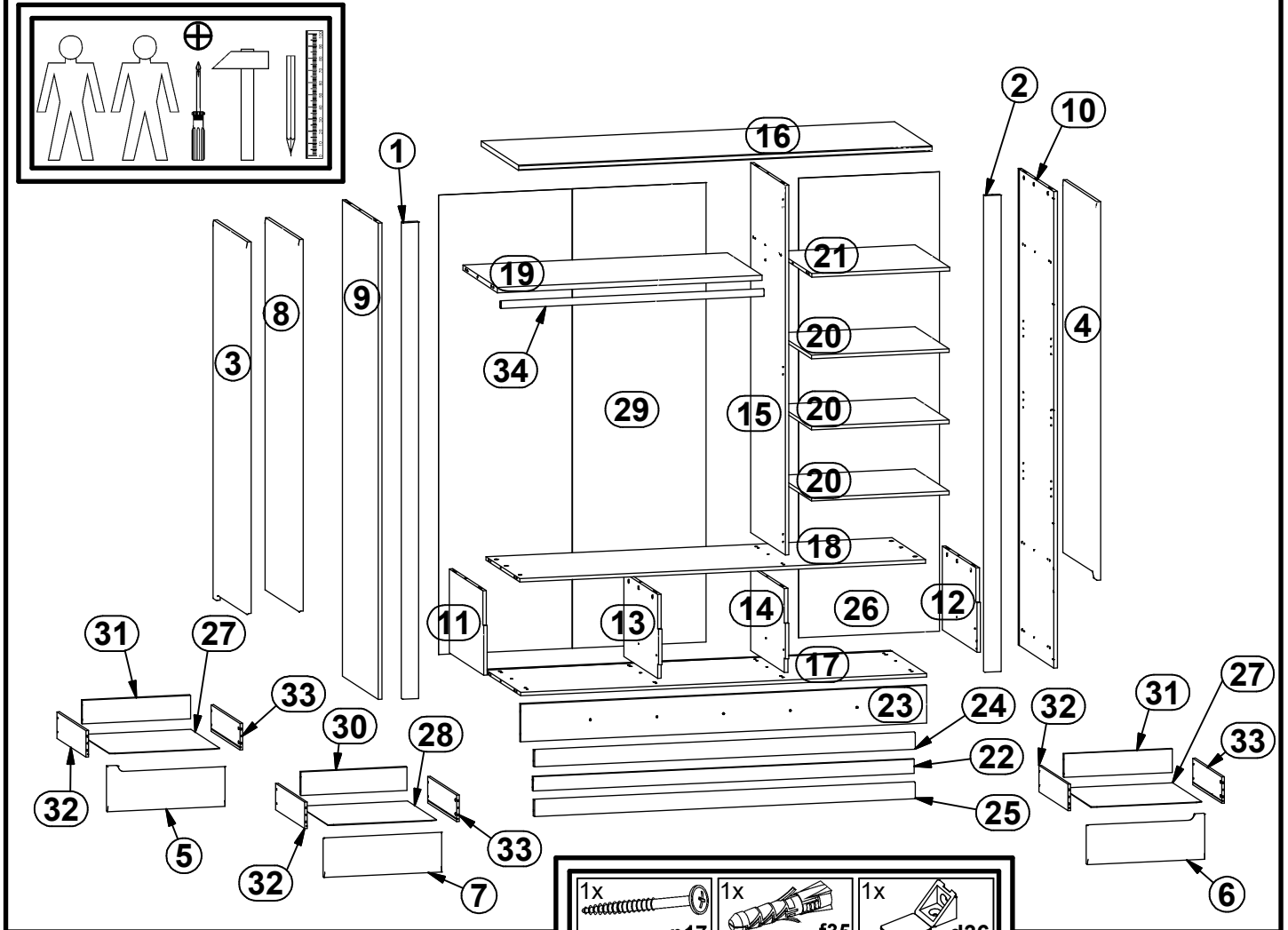
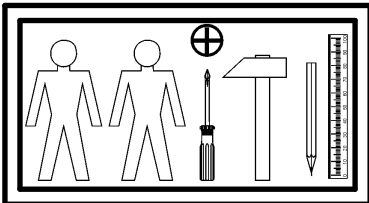
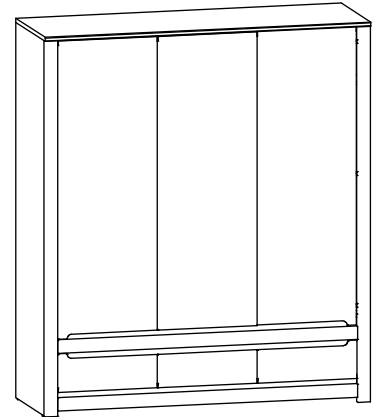
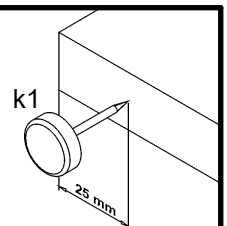
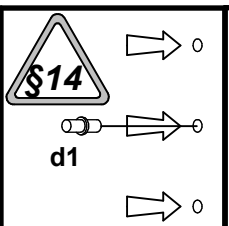
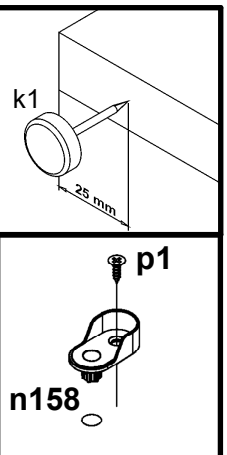
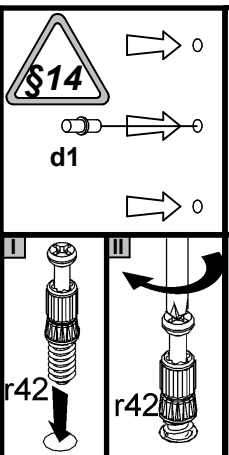
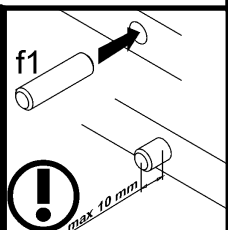
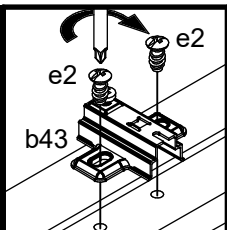
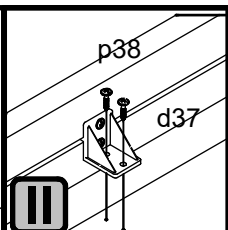
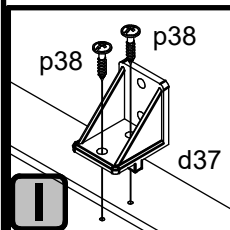
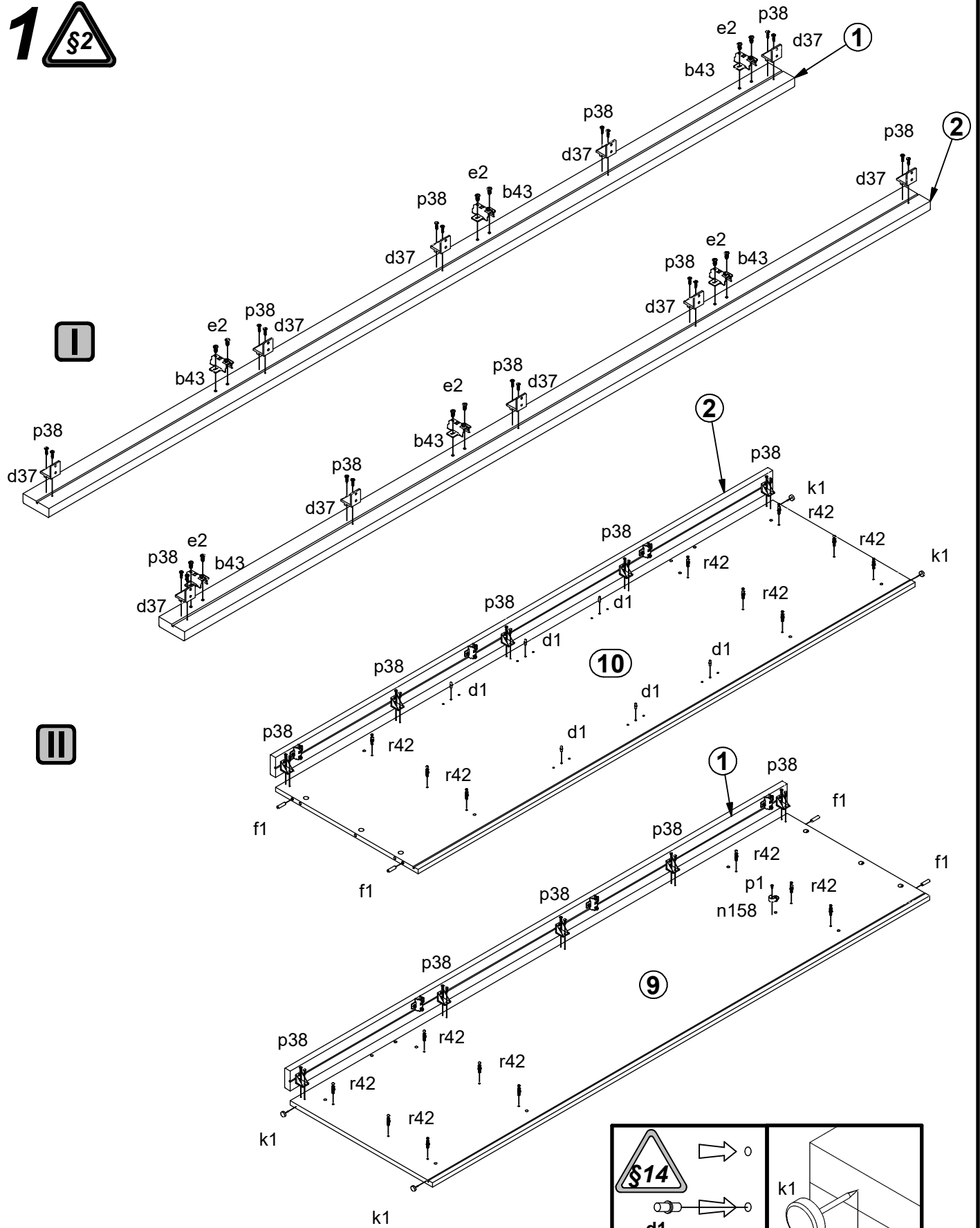


A	B	C	D	A	B	C	D		
1	S404-5024/A	2018	70	1/6	18	S407-3004	1753	543	6/6
2	S404-5025/A	2018	70	1/6	19	S407-3005	1142,5	558	3/6
3	S407-0024	1603	544	5/6	20	S407-3006	594,5	550	4/6
4	S407-0025	1603	544	5/6	21	S407-3007	595,5	558	3/6
5	S407-0026	544	205	5/6	22	S407-4005	1645	60	2/6
6	S407-0027	544	205	5/6	23	S407-4006	1753	160	2/6
7	S407-0028	544	180	5/6	24	S407-5008	1644	70	2/6
8	S407-0029	1578	544	6/6	25	S407-5009	1644	70	2/6
9	S407-1007	2018	578	1/6	26	S407-9004	1946	608	1/6
10	S407-1008	2018	578	1/6	27	S407-9005	511	505	4/6
11	S407-1009	355	558	3/6	28	S407-9006	502	505	4/6
12	S407-1010	355	558	3/6	29	S407-9301	1946	1155	1/6
13	S407-1011	355	558	3/6	30	ZQ2-1575	492	107	4/6
14	S407-1012	355	558	3/6	31	ZQ2-1576	501	107	4/6
15	S407-1013	1566	558	3/6	32	ZQ3-529	500	120	4/6
16	S407-2002	1785	604	2/6	33	ZQ3-530	500	120	4/6
17	S407-3003	1753	578	2/6	34	dr-1136	1136	30	1/6

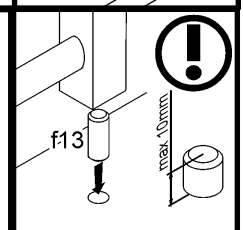
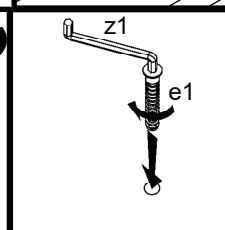
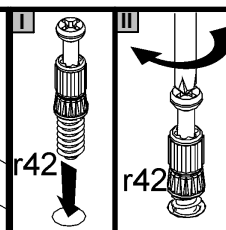
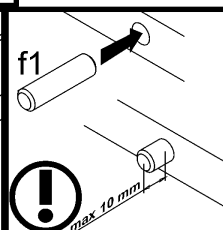
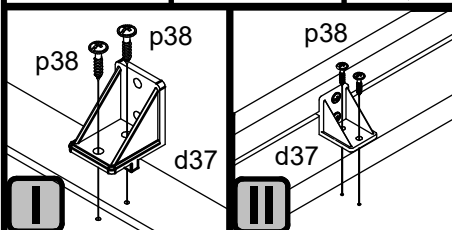
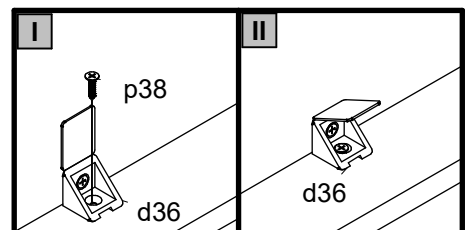
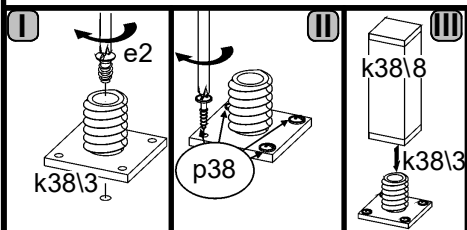
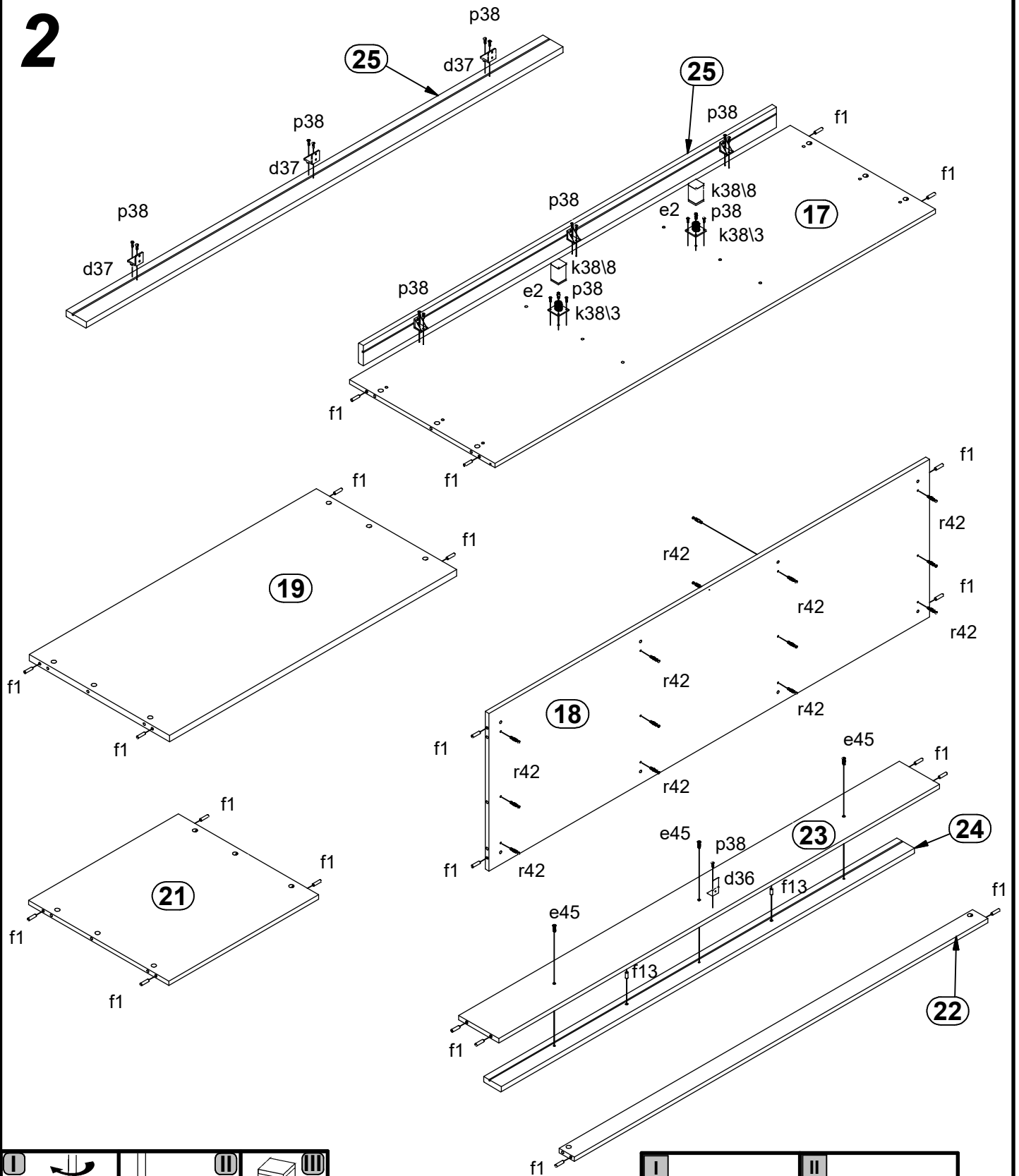


1x Ø5x60 mm p17	1x Ø10x50 mm f35	1x d36	6x a132	3x a133	3x a159 Ø7,8 35mm	6x b43	3x b78	12x Ø5x17 mm d1	13x d37	12x Ø7x50 mm e1	20x Ø6,3x13 mm e2					
12x Ø6x13 mm e3	3x Ø7x24 mm e45	46x Ø8x30 mm f1	2x Ø8x20 mm f13	12x Ø6,5x40 mm f25	6x Ø6x30 mm f9	4x k1	2x 42,5x42,5x4 mm k38/3	2x 30x30x60 mm k38/8	18x 22x9,5x20,7 mm n108	2x n158	34x Ø2,9x16 mm p55					
18x l2	10x n108	2x n158	2x Ø3,5x13 mm p1	3x Ø3,5x16 mm p25	3x Ø3,5x10 mm p35	76x Ø3,5x16 mm p38	18x Ø3,5x15 mm p51	50x Ø15x12 mm #16 r1	12x Ø12x10,5 mm #12 r15	62x 20/11 r42	3x 500 mm t34	3x L=500 mm w186/L	3x L=500 mm w186/P	1x 4 mm z1	1x 86x21x15/1,5 n14/2	33x Ø 20mm s68

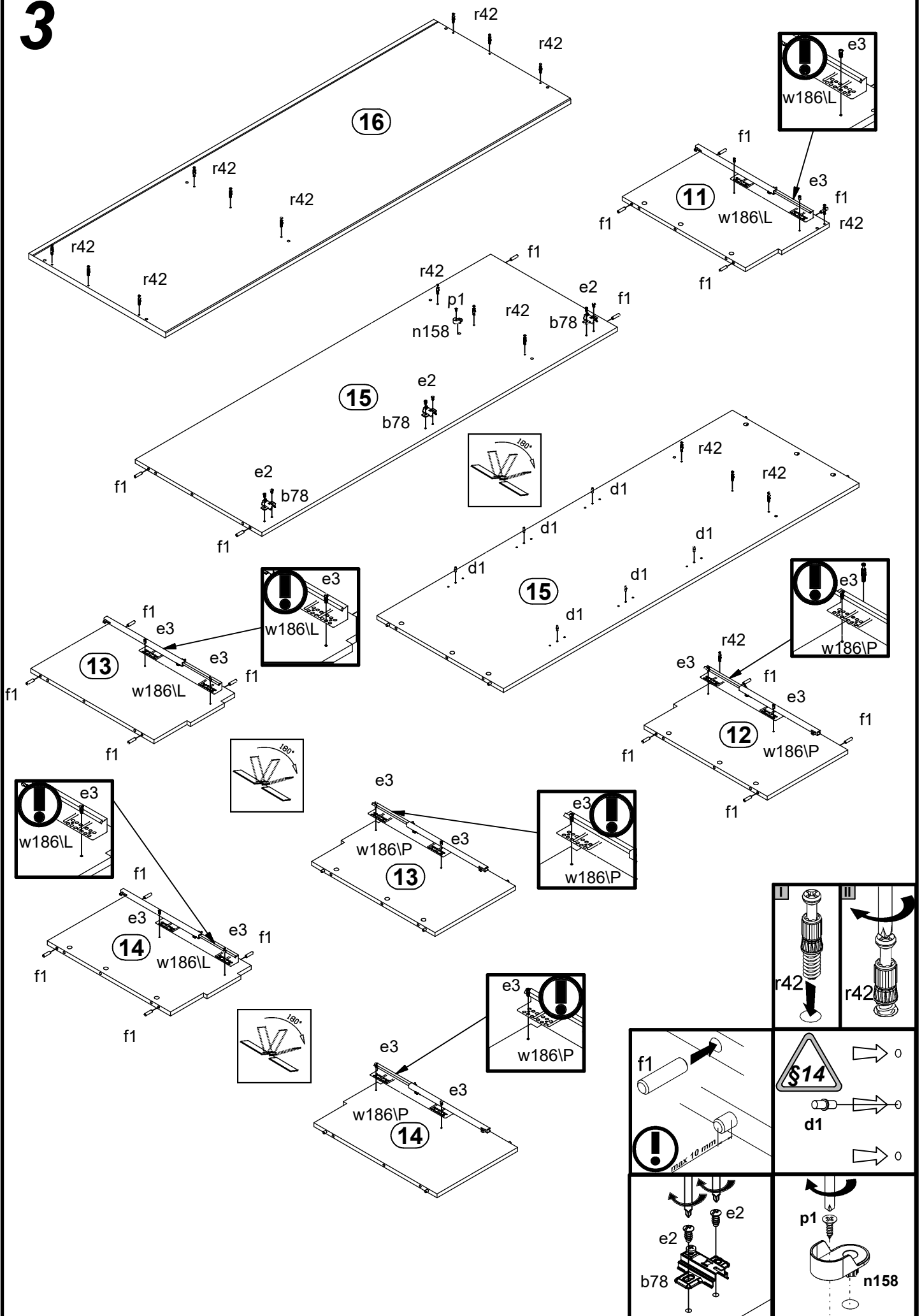
1 



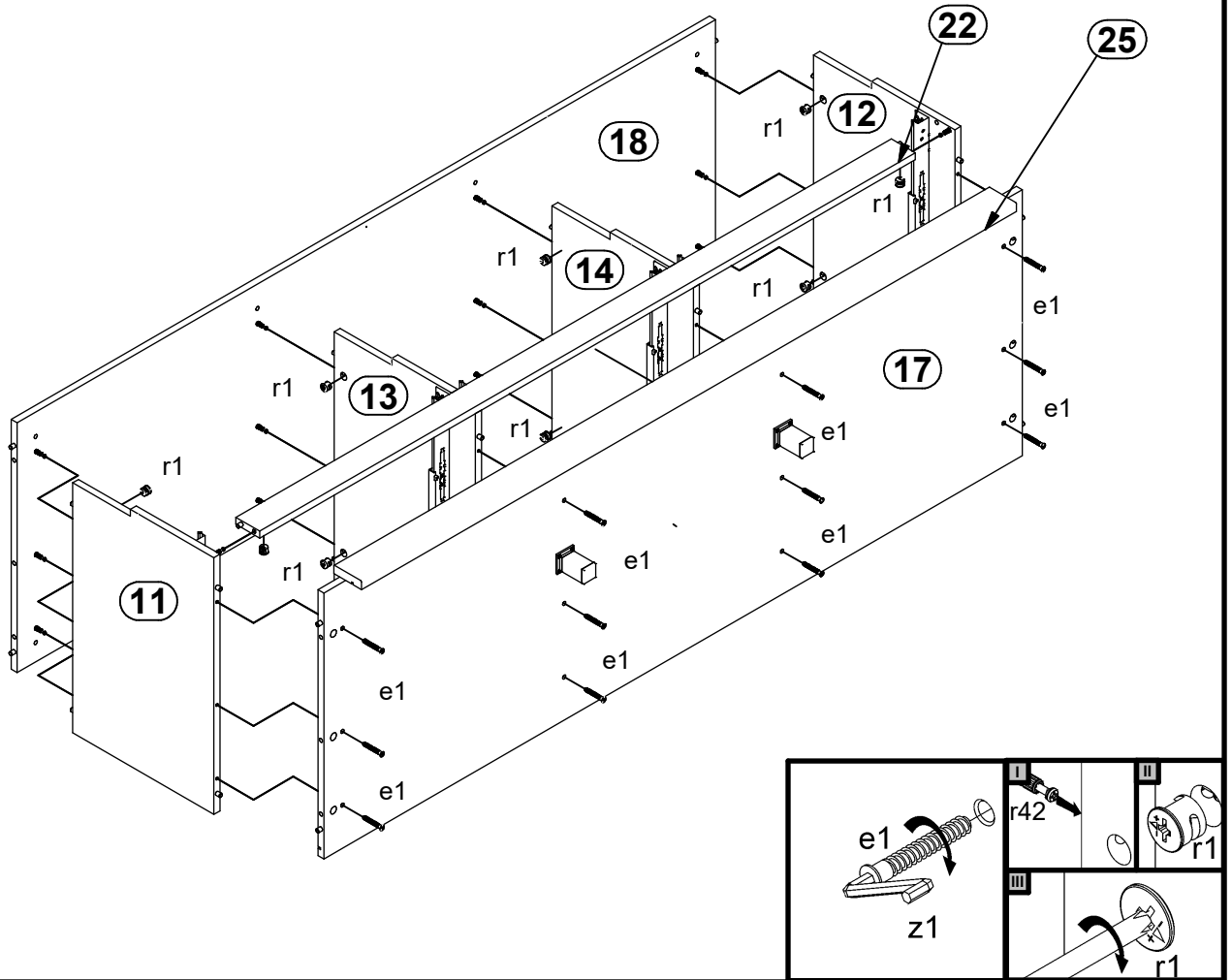
2



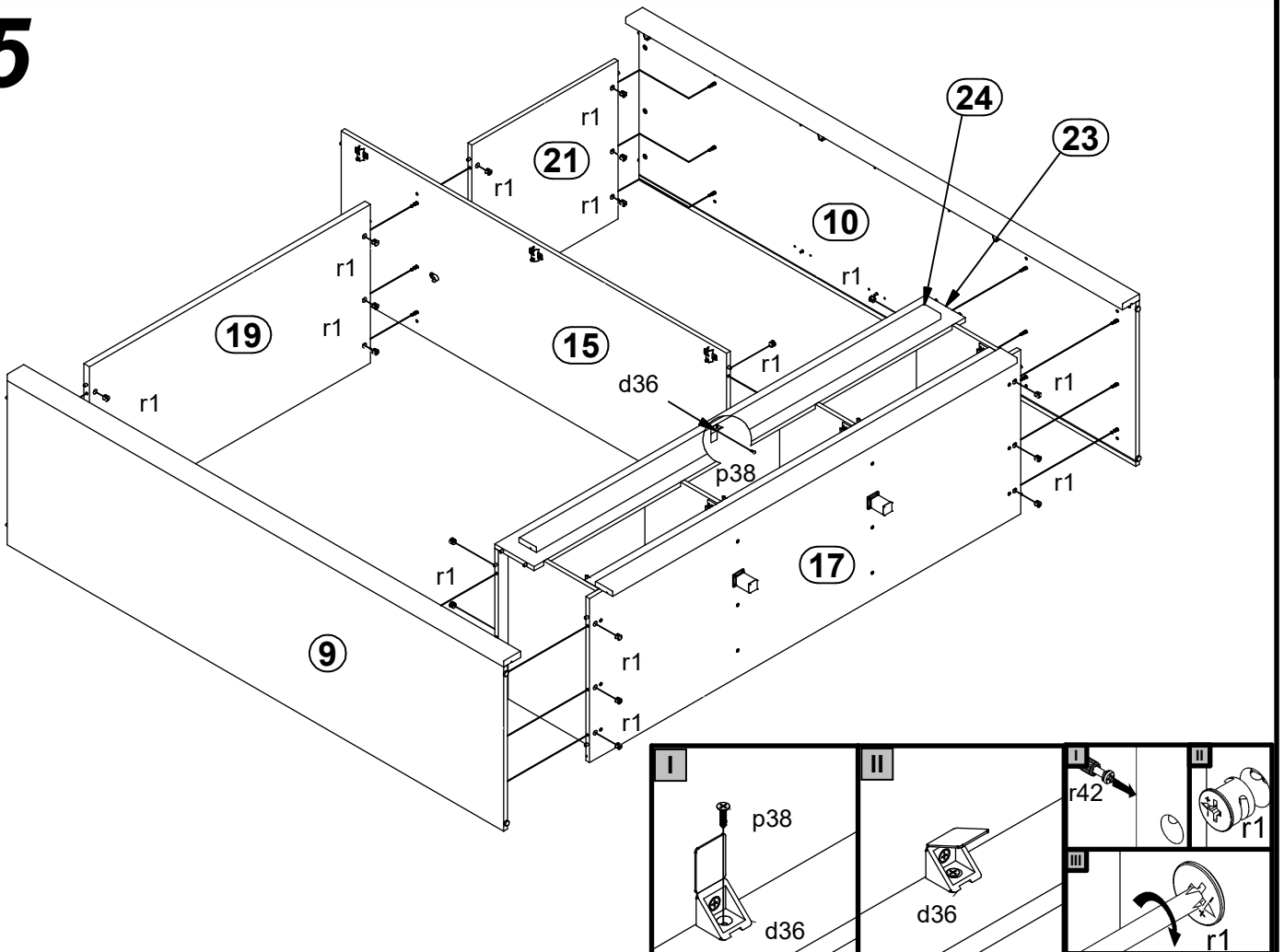
3



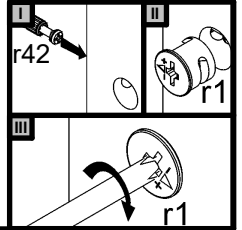
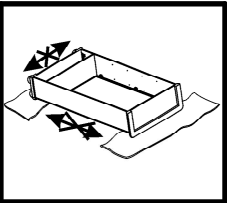
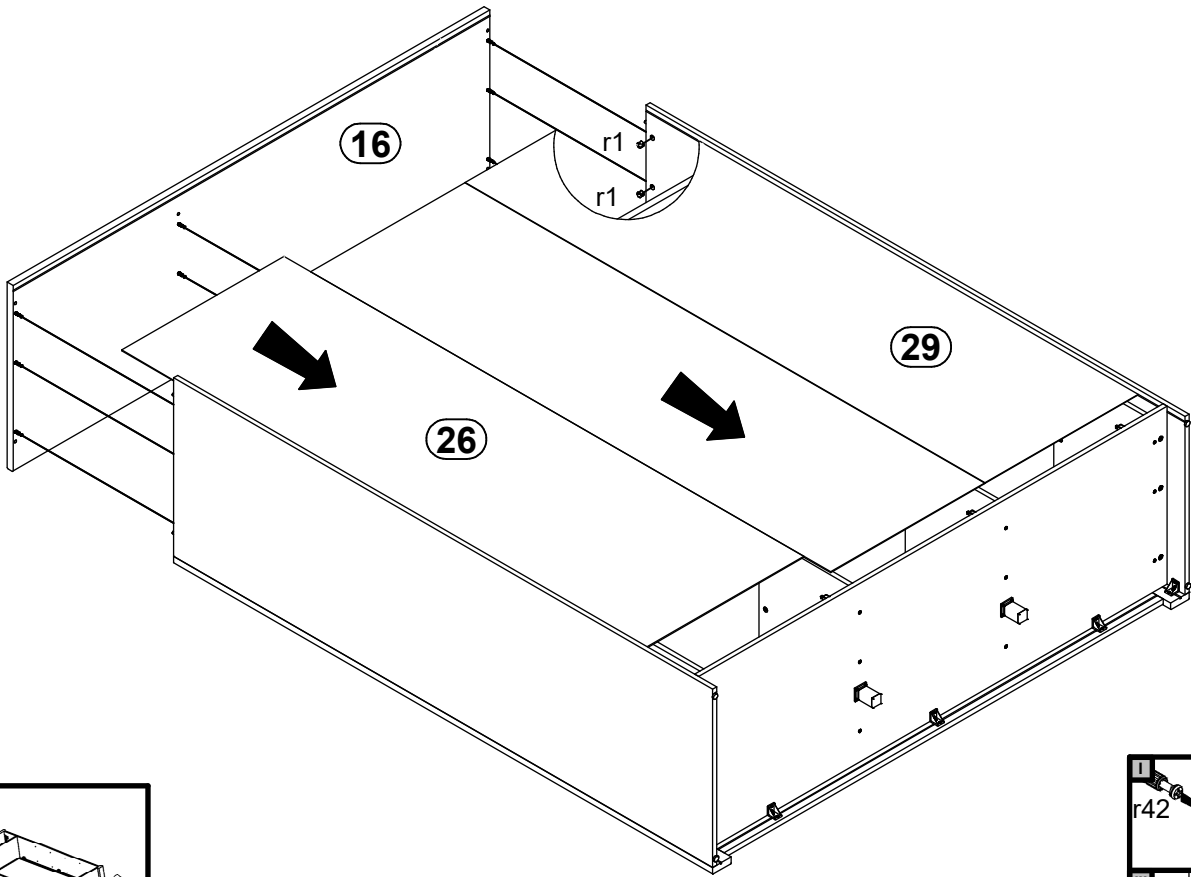
4



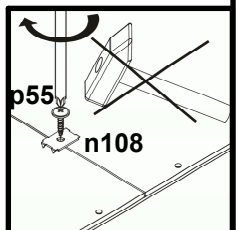
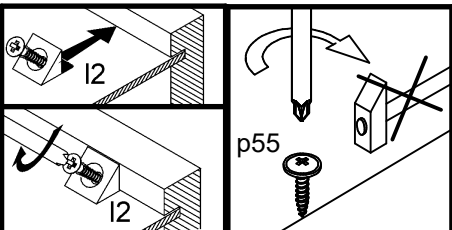
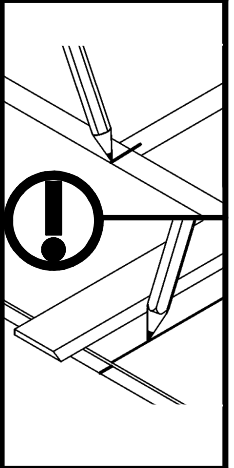
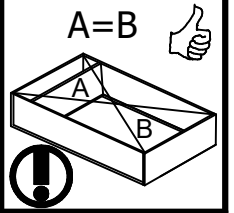
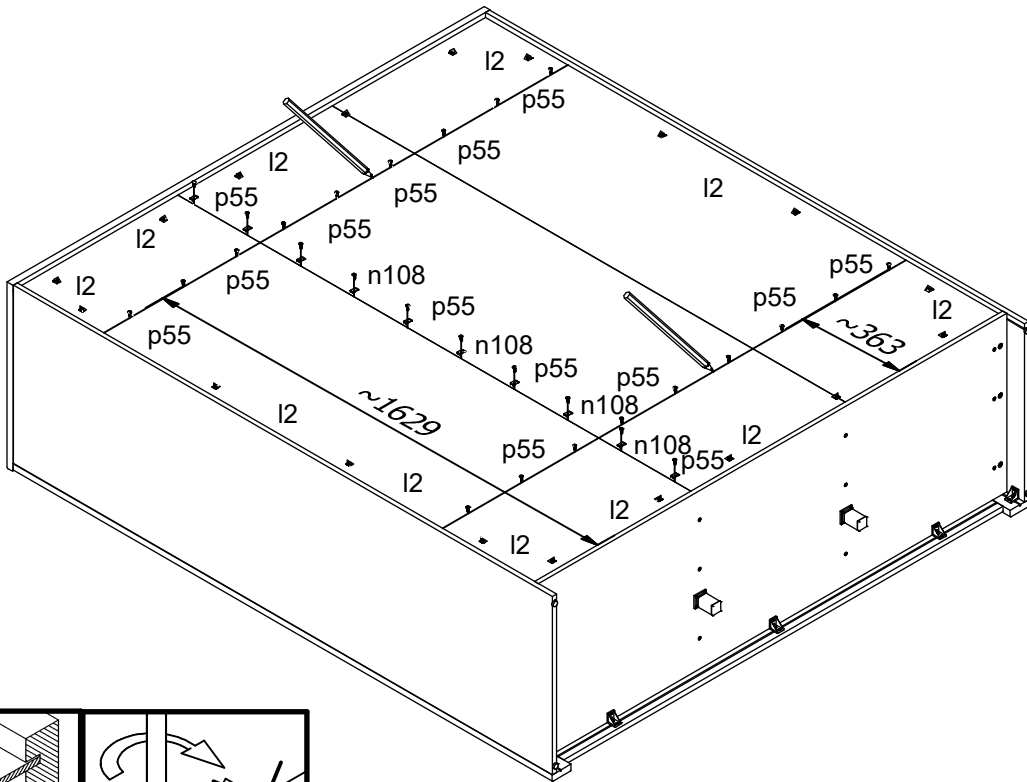
5



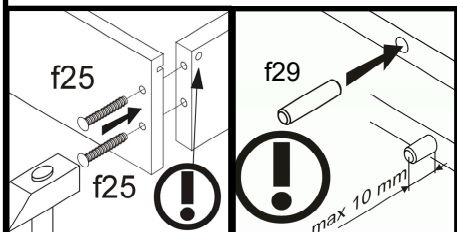
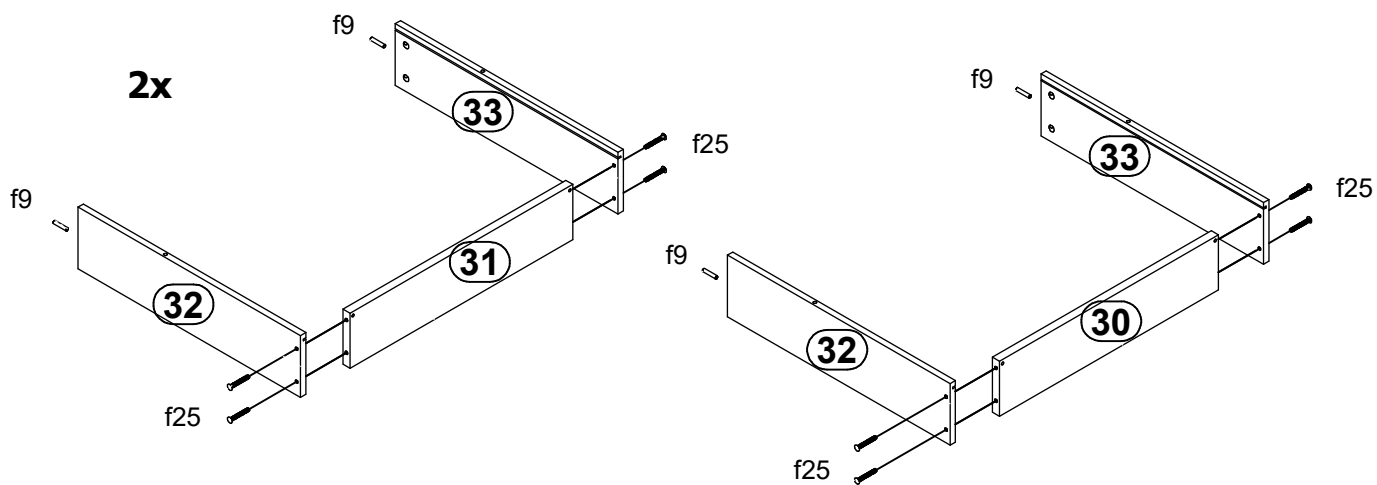
6



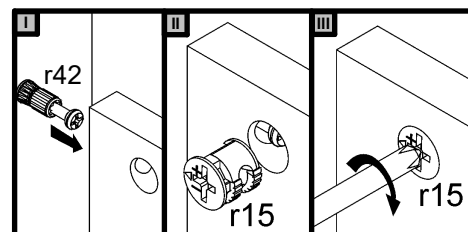
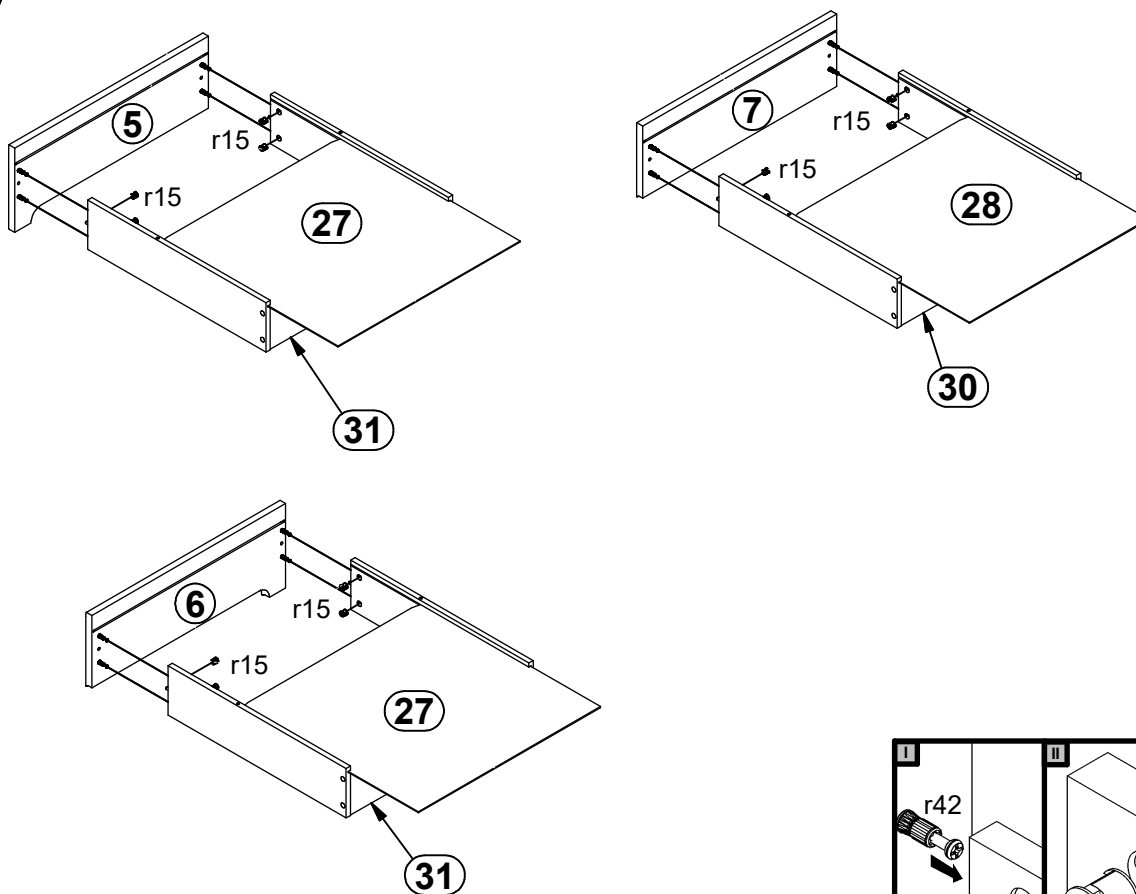
7



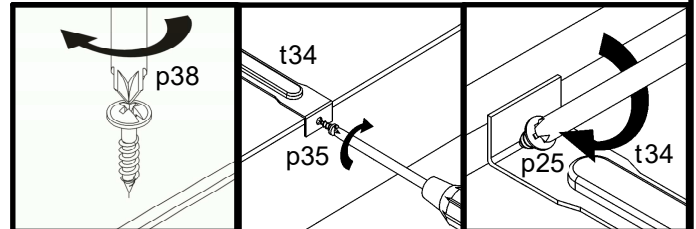
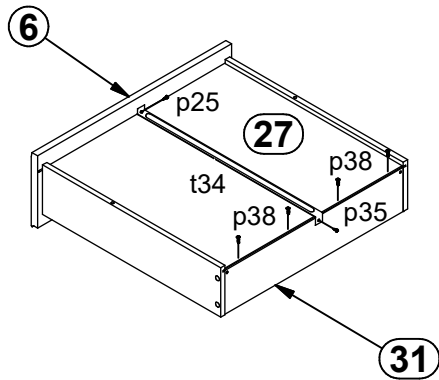
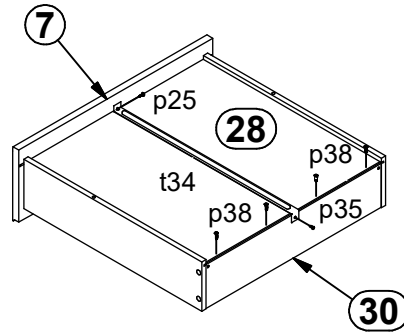
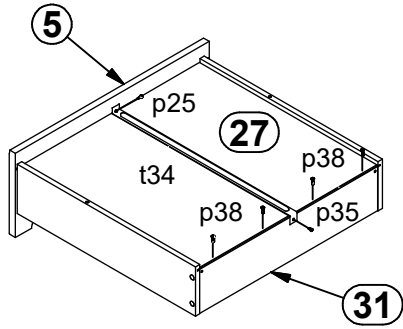
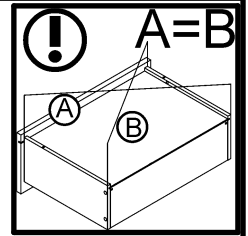
8



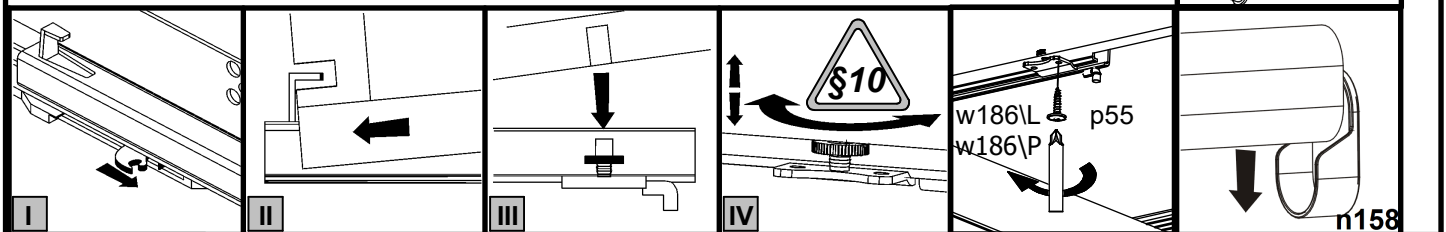
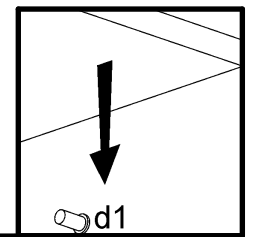
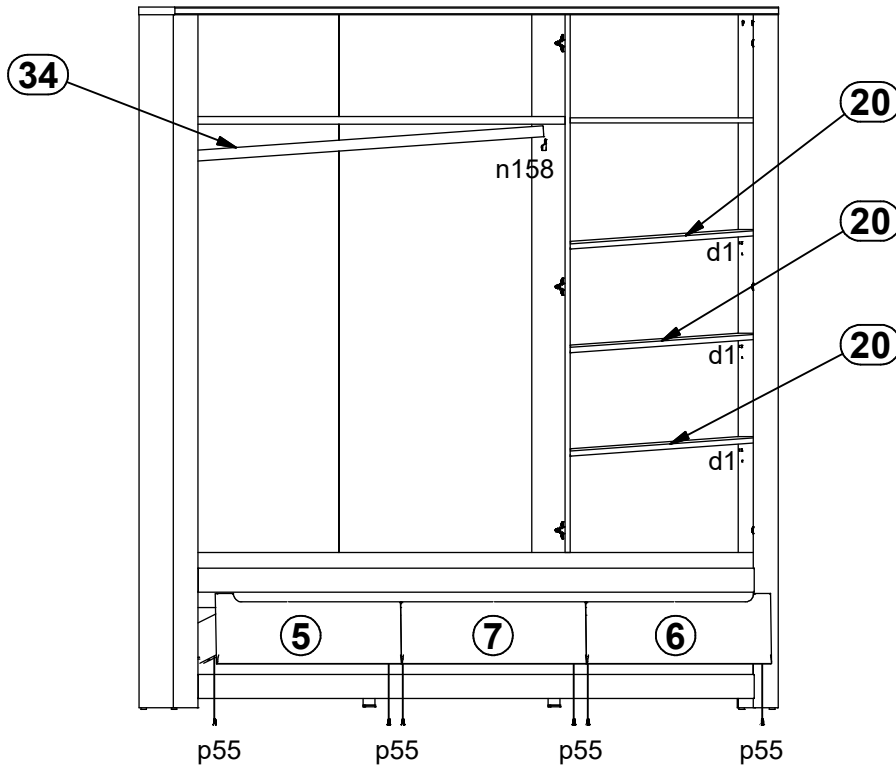
9



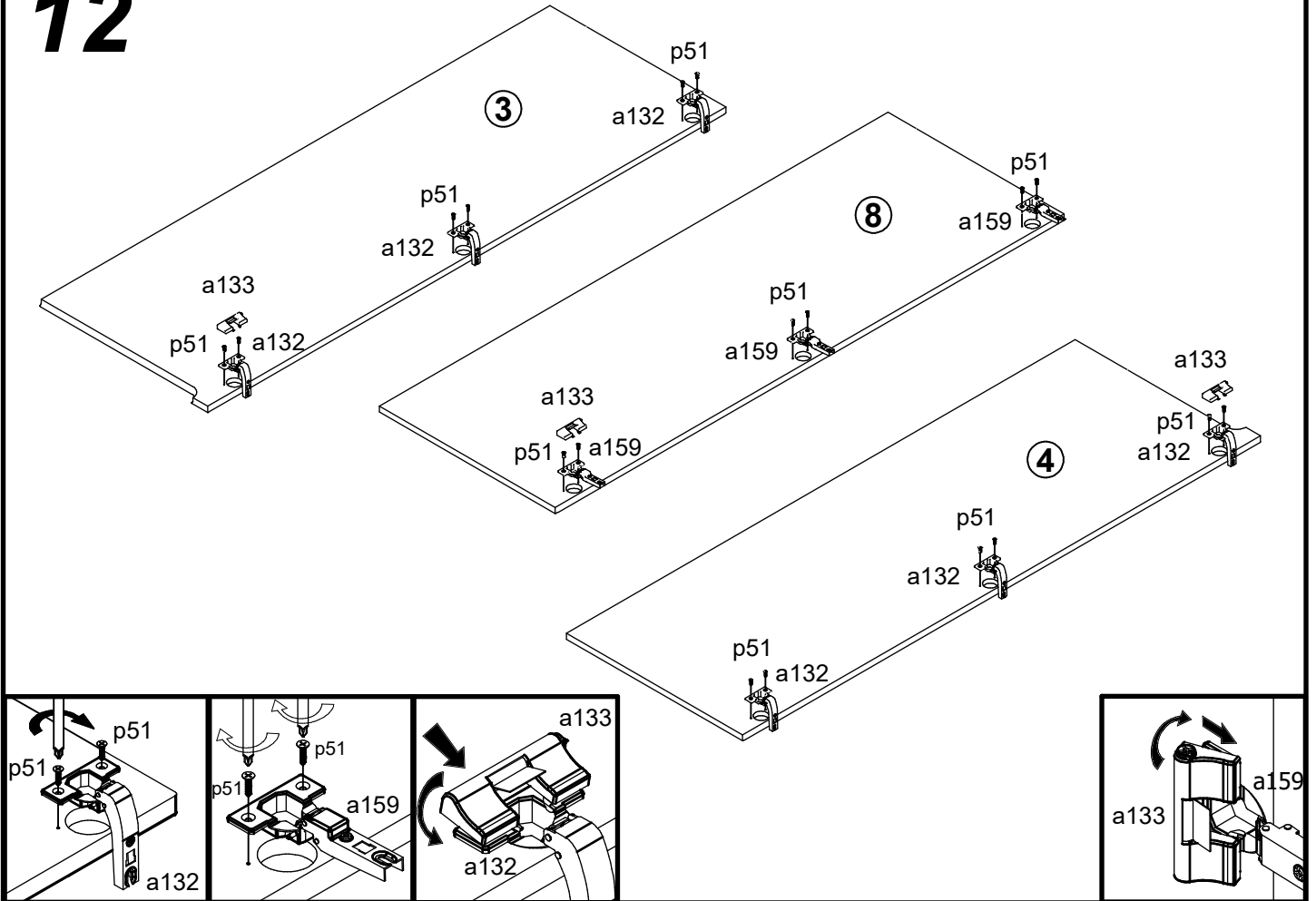
10



11



12



13

