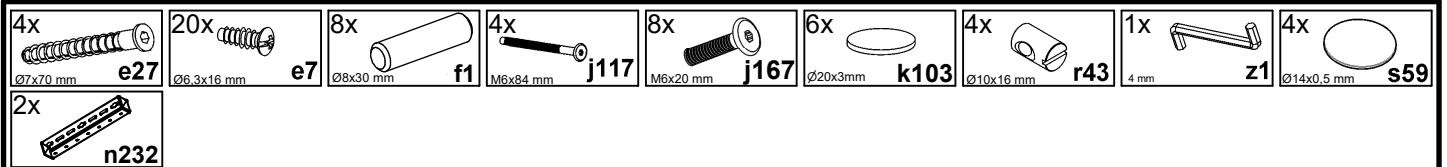
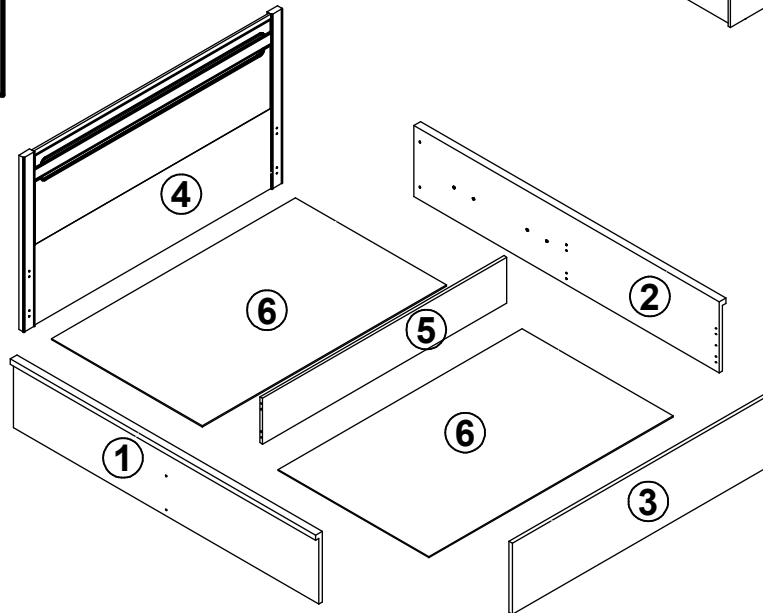
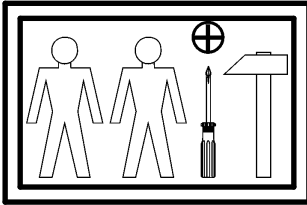
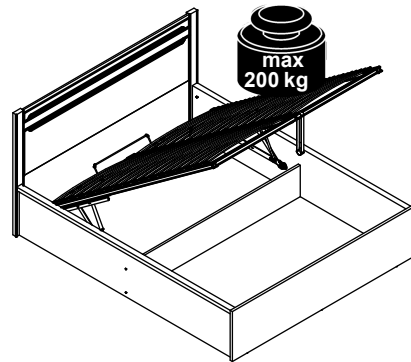
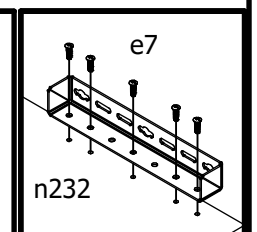
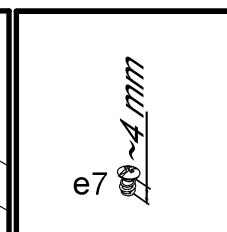
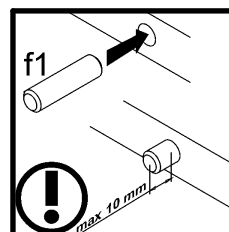
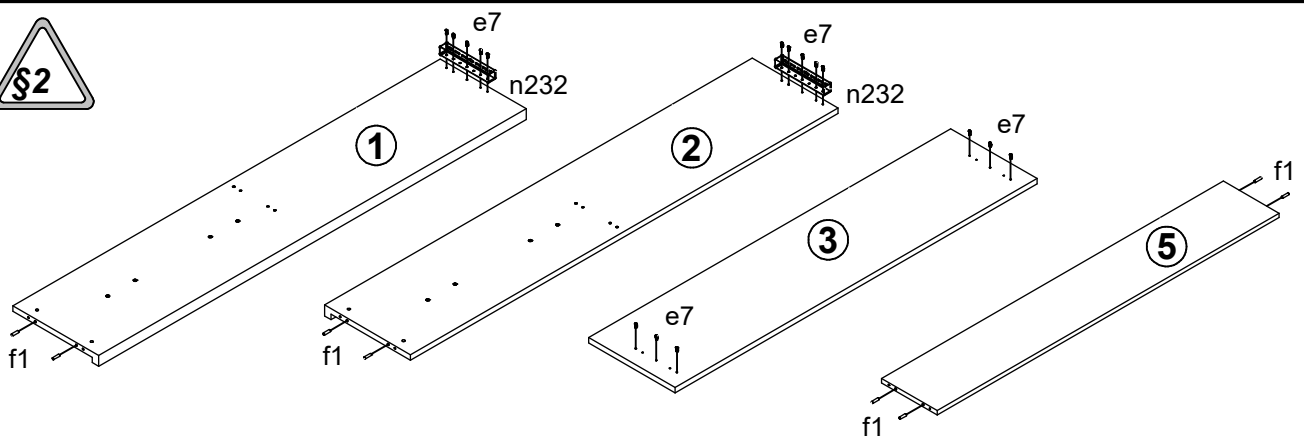
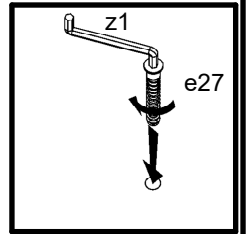
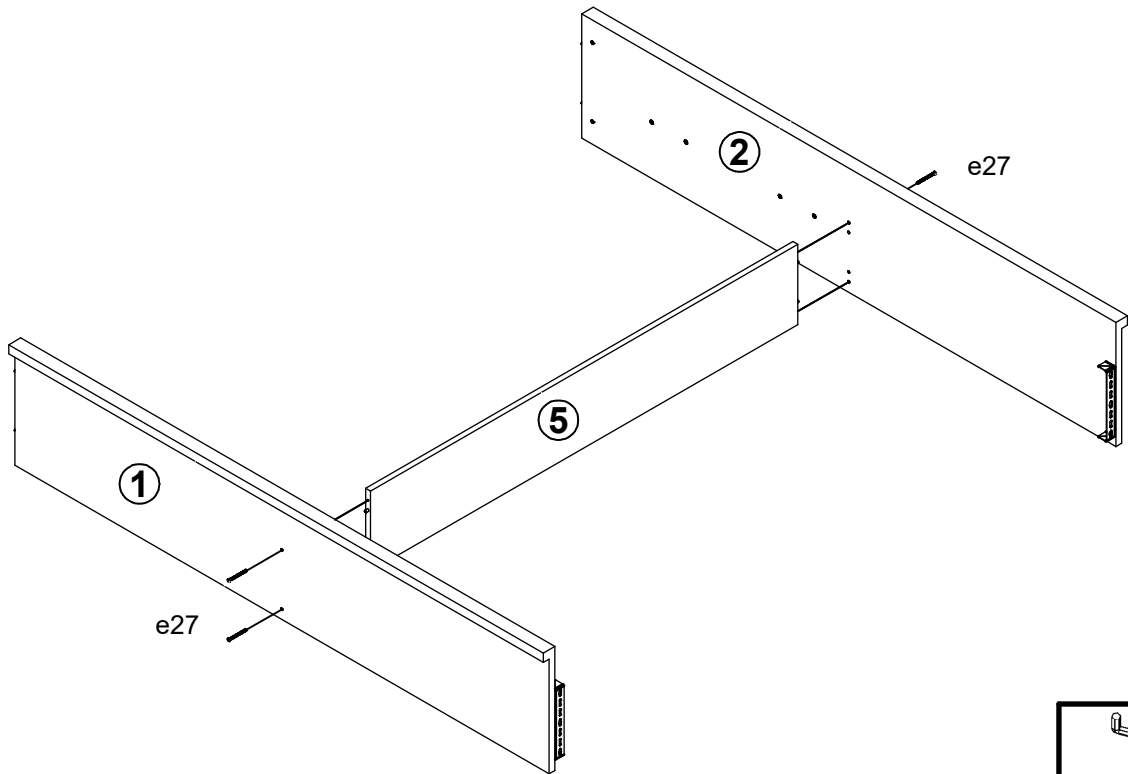


A**RUSO****S407-LOZ/160/B**

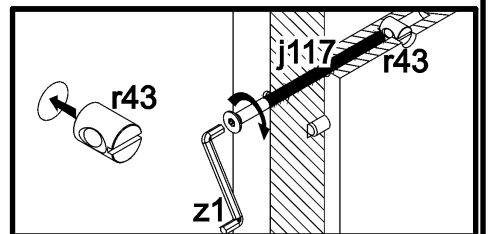
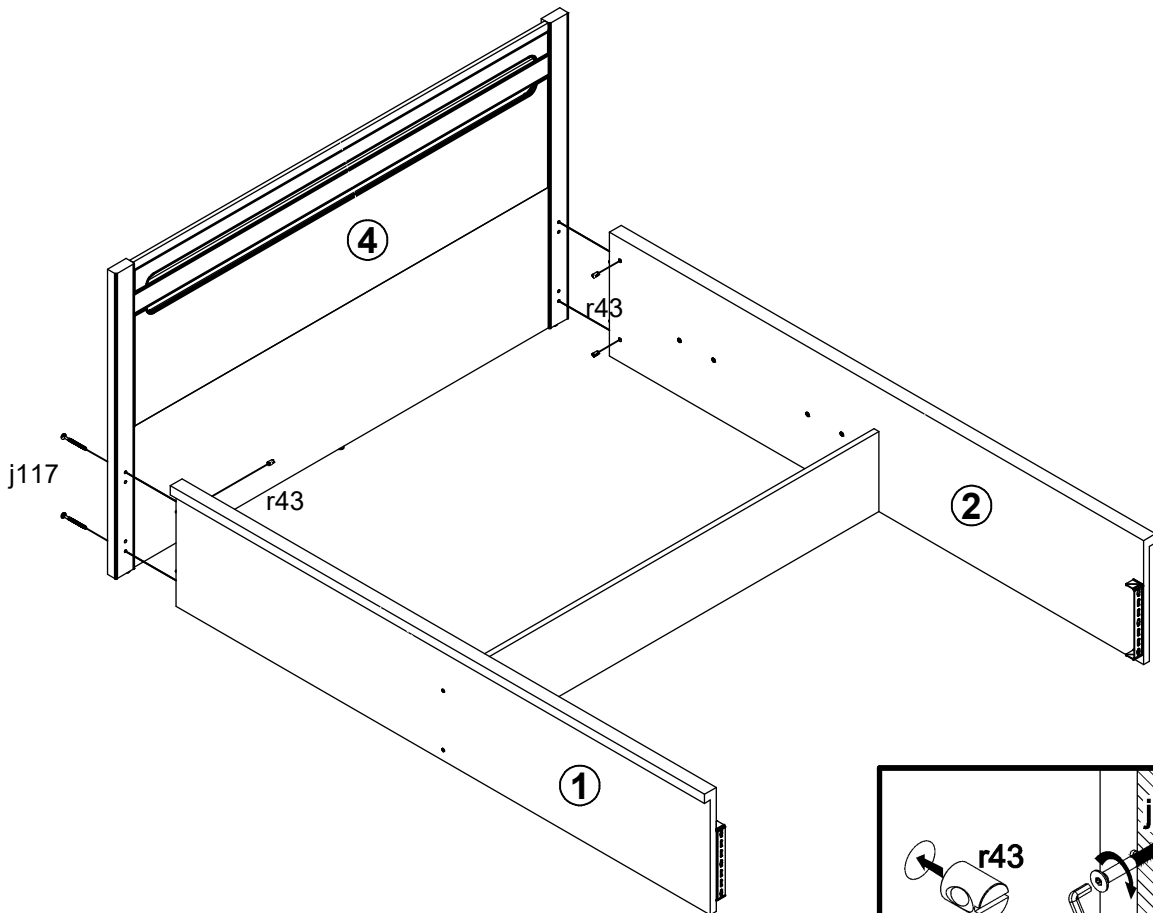
A	B	C	D	
1	S407-1005	2000	402	2/3
2	S407-1006	2000	402	2/3
3	S407-4002	1694	404	3/3
4	S407-4003	1694	989	1/3
5	S407-4004	1600	260	3/3
6	S407-9003	1598	989	1/3

**1** 

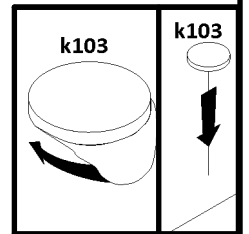
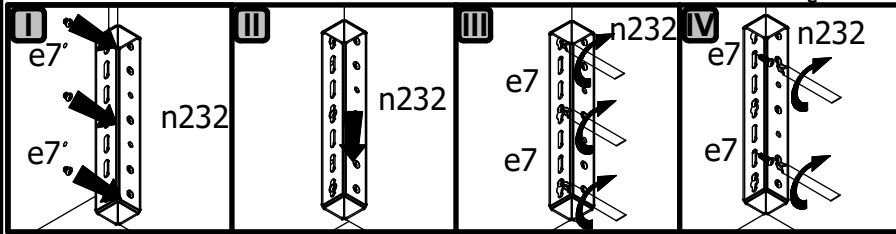
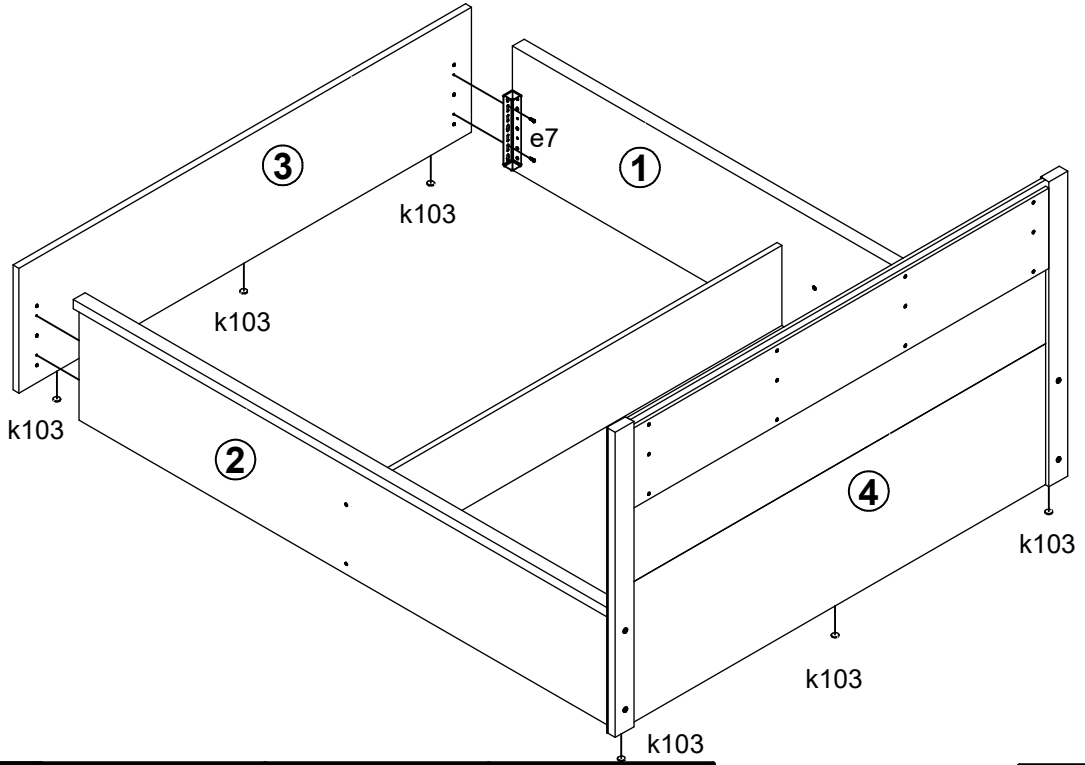
2



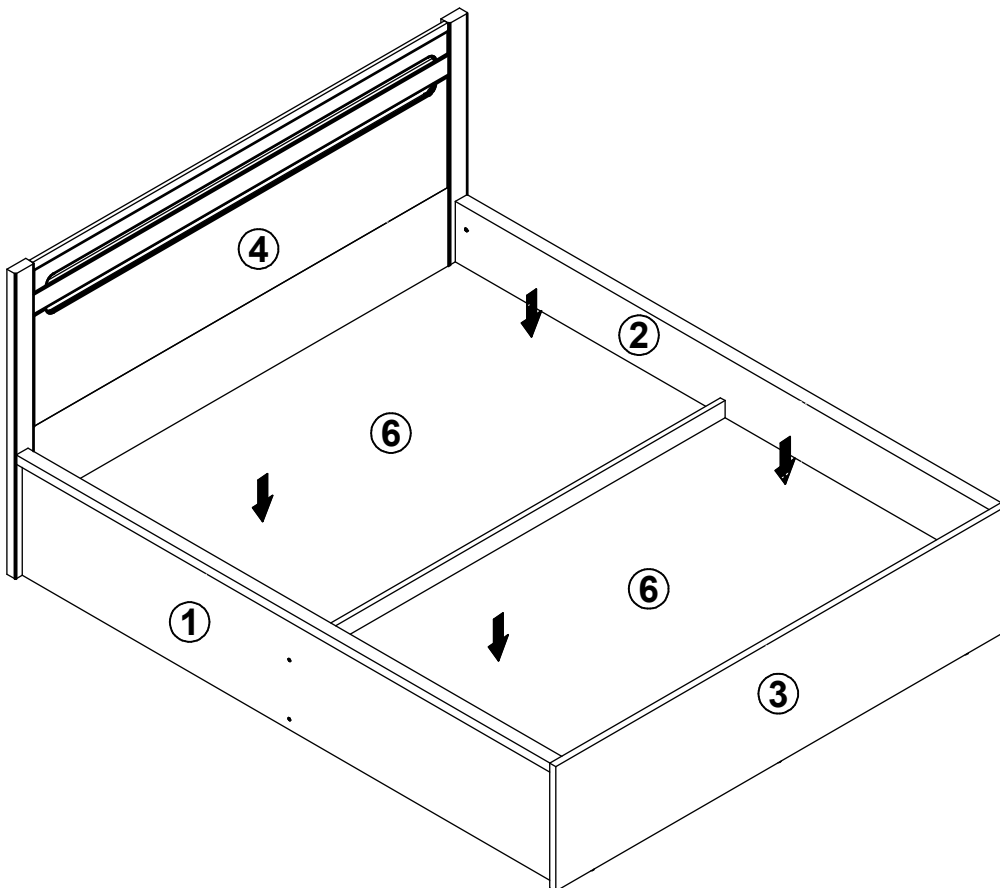
3



4



5



6

