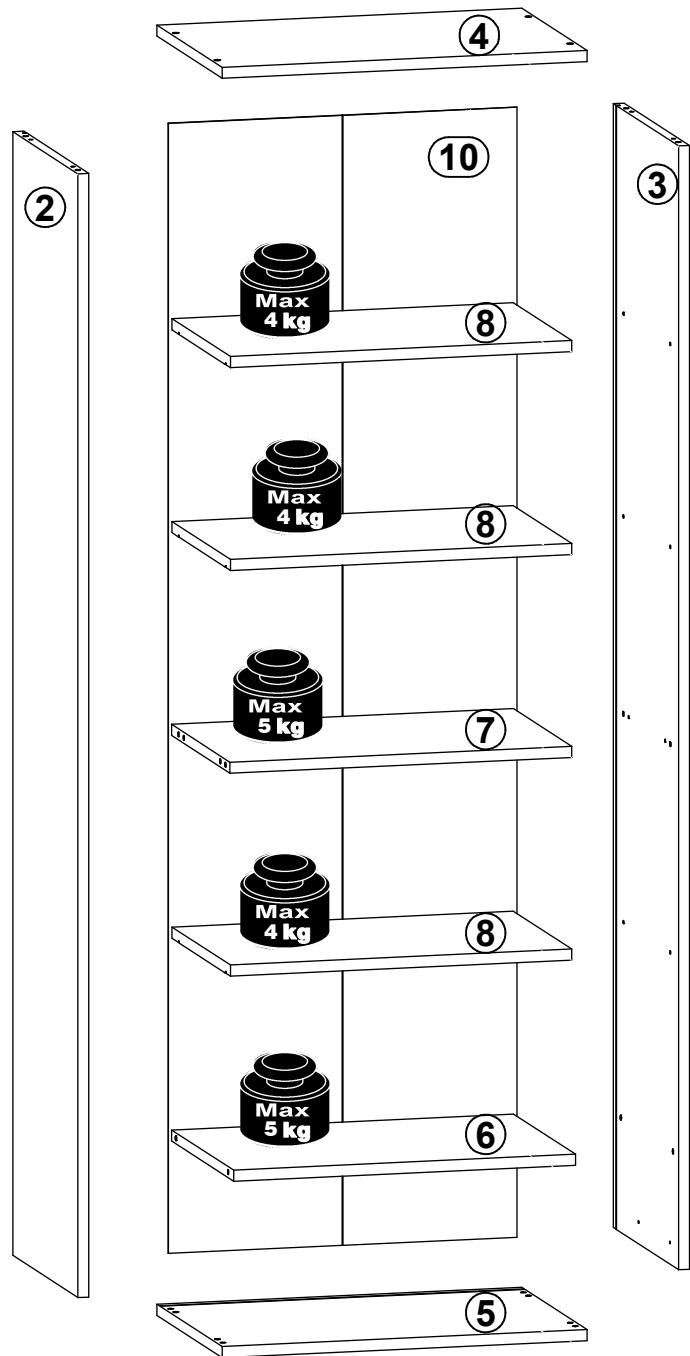
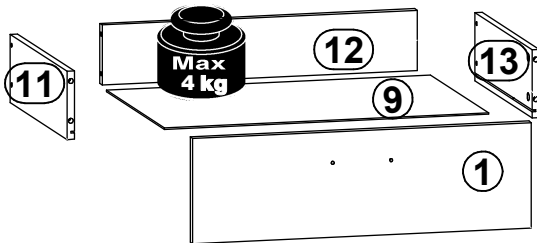
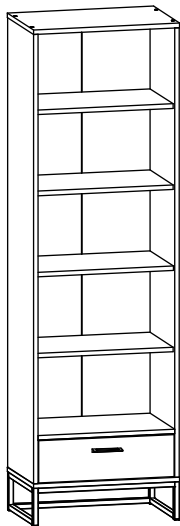
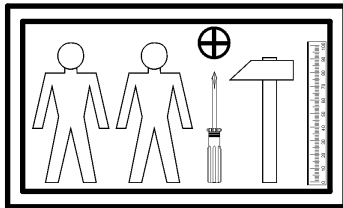
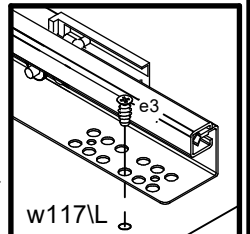
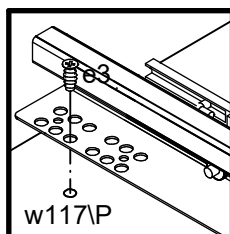
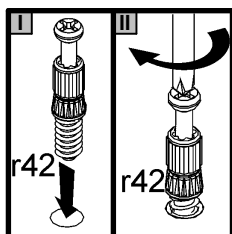
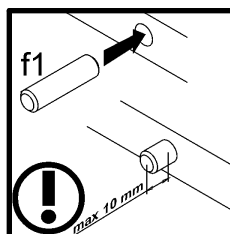
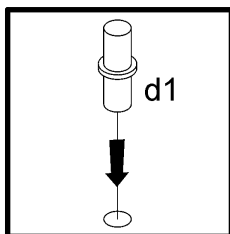
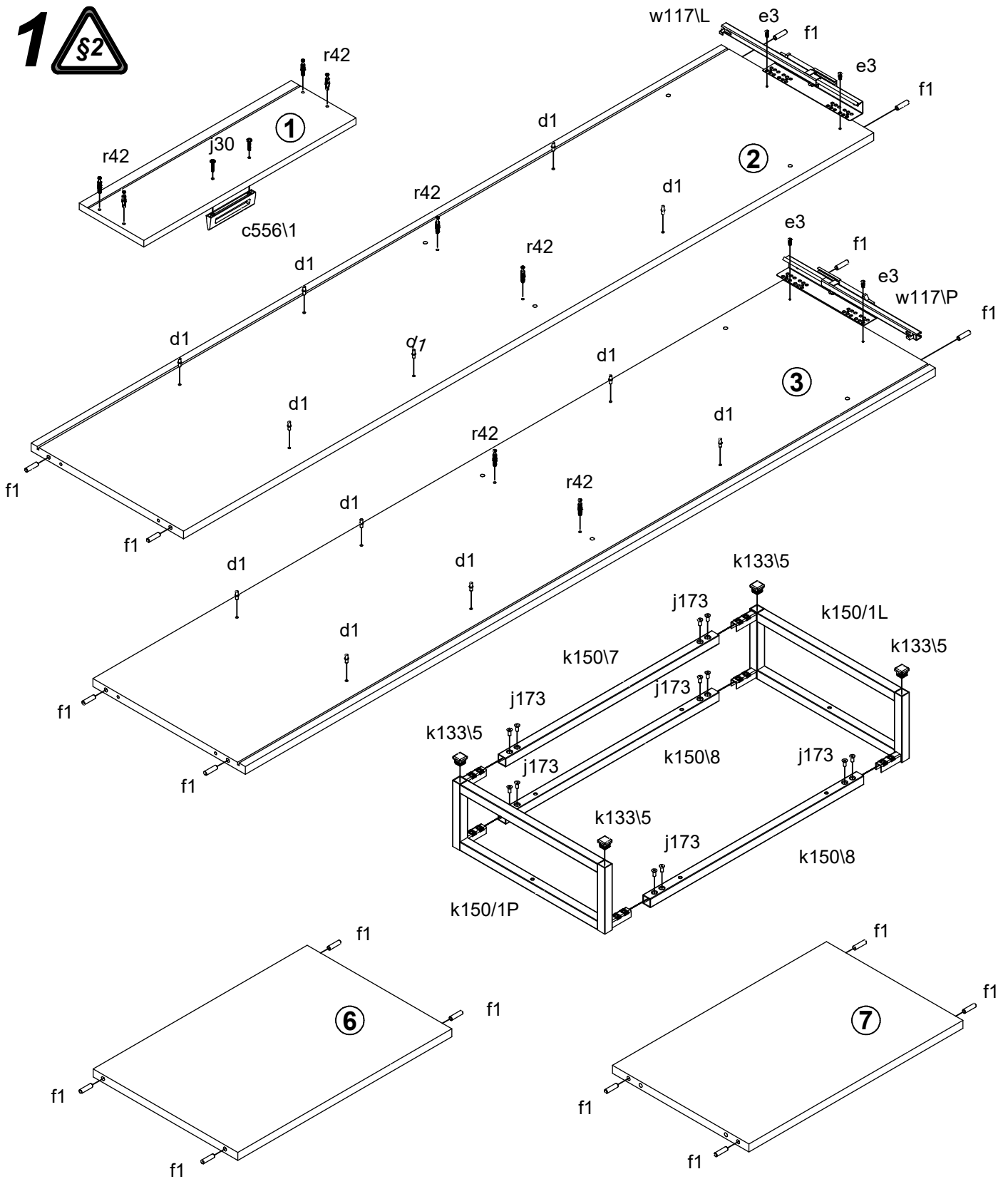


A	B	C	D	
1	S489-0004	557	170	2/3
2	S489-1009	1812	400	1/2
3	S489-1010	1812	400	1/2
4	S489-2005	600	400	2/3
5	S489-2006	600	400	2/3
6	S489-3005	562	380	2/3
7	S489-3006	562	358	2/3
8	S489-3007	561	358	2/3
9	S489-9005	533	357	2/3
10	S489-9303	1822	573	1/3
11	ZQ6-519	350	110	2/3
12	ZQ6-5194	518	97	2/3
13	ZQ6-520	350	110	2/3

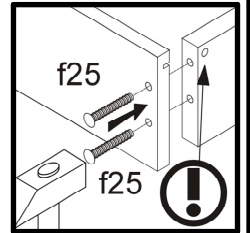
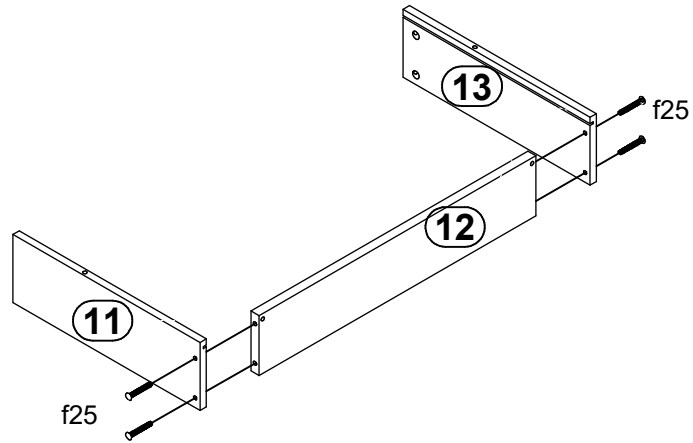


1x 96mm c5561	12x Ø5x17 mm d1	8x Ø7x50 mm e1	6x Ø6x30 mm e16	4x Ø6x13 mm e3	16x Ø8x30 mm f1	4x Ø6.5x40 mm f25	12x M5x12 mm j173	2x M4x22 mm j30
4x 20x20 k13315	1x L560 k15017	2x L560 k15018	12x l2	1x Ø3.5x16 mm p25	1x Ø3.5x10 mm p35	4x Ø3.5x16 mm p38	8x Ø2.9x16 mm p55	4x Ø15x12 mm #16 r1
4x Ø12x10.5 mm #12 r15	8x 20/11 r42	1x 350 mm t35	1x 350 mm W117L	1x 350 mm W117P	1x 4 mm z1	1x 3 mm z22	1x n2611	1x Ø3.5x16 mm p38
1x L400 k15011L	1x L400 k15011P							

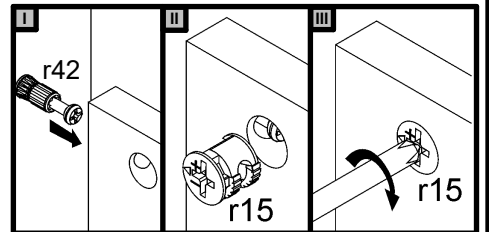
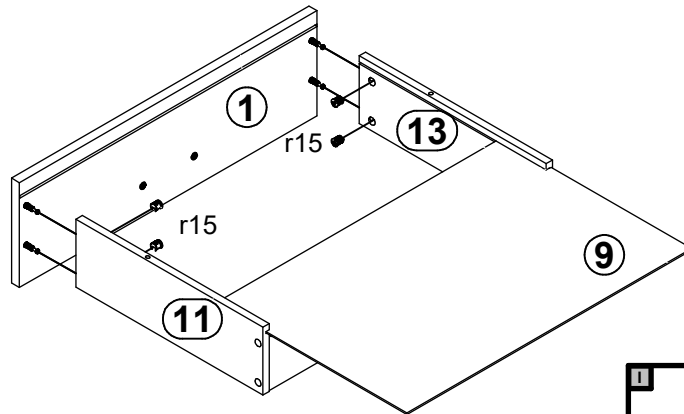
1 



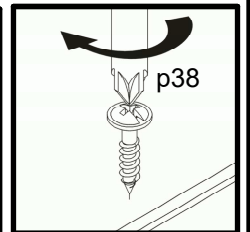
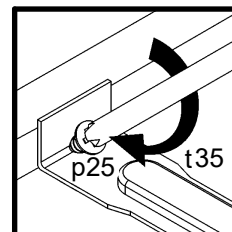
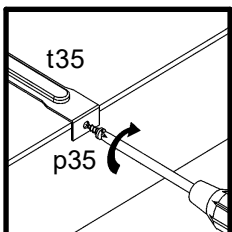
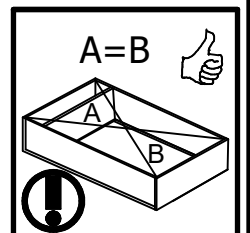
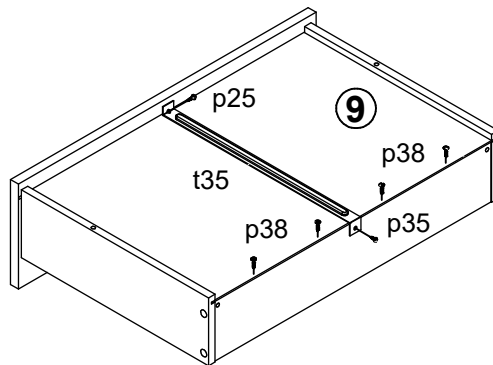
# 2



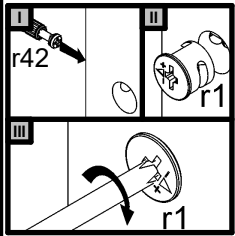
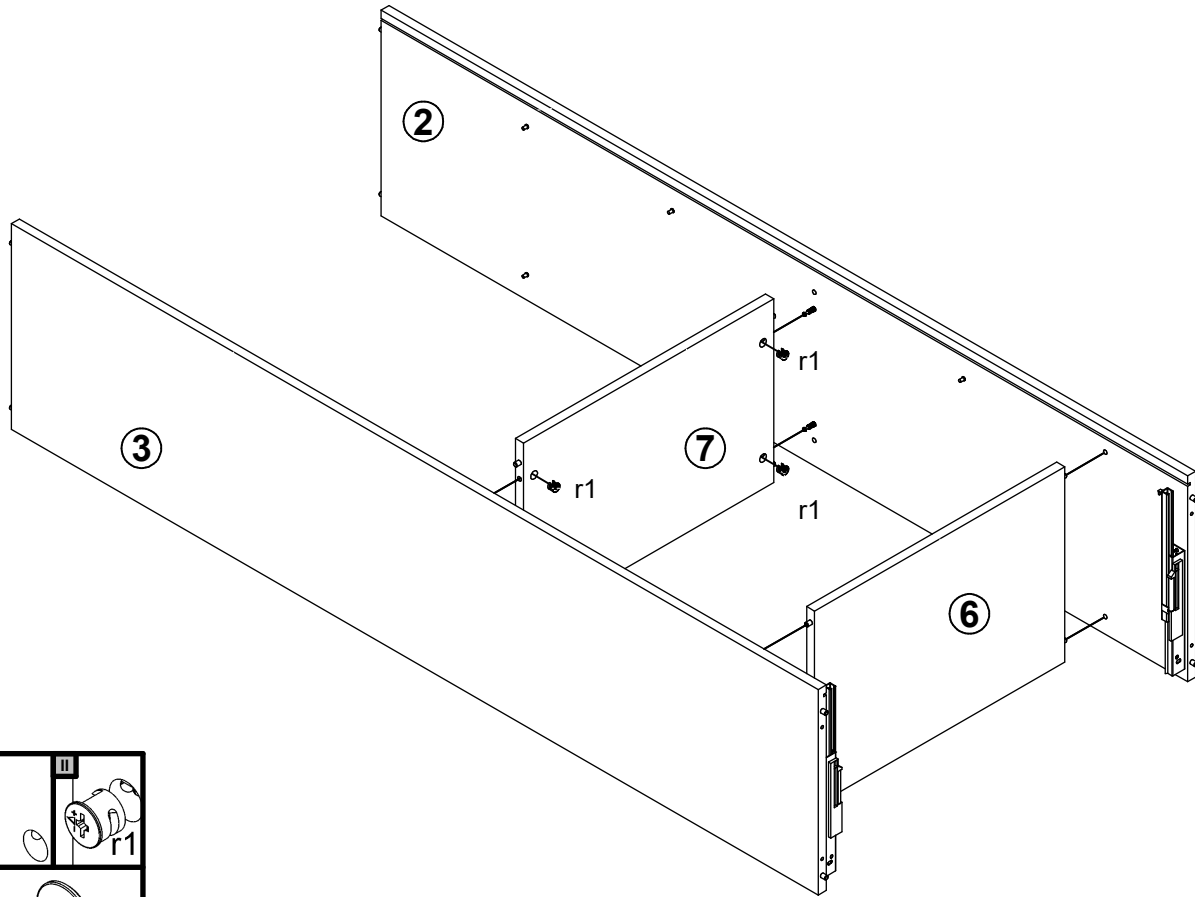
# 3



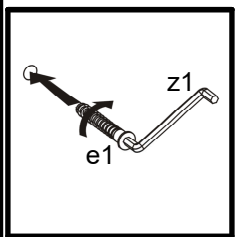
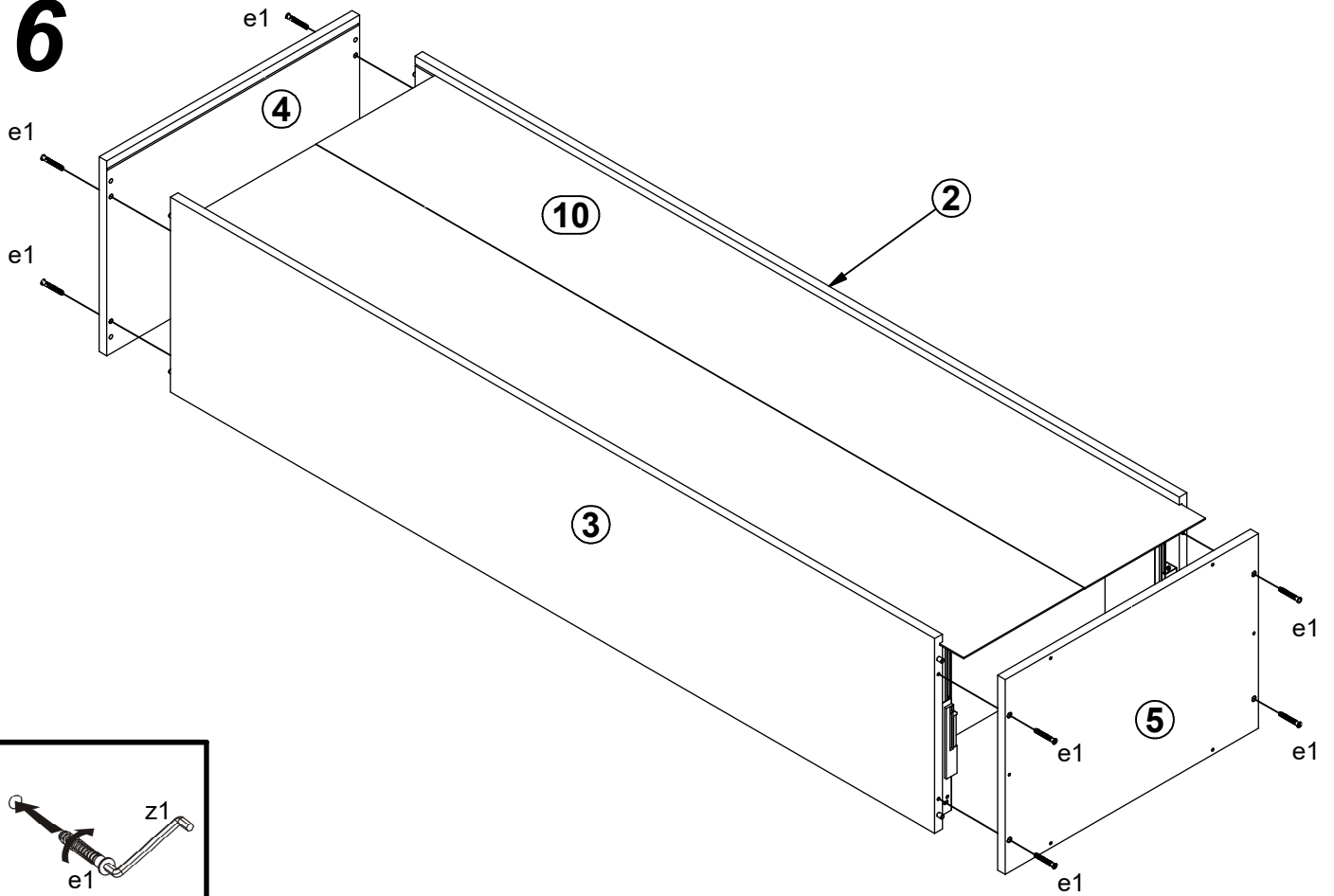
# 4



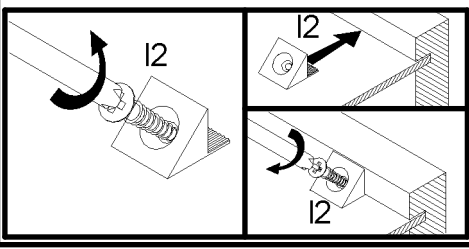
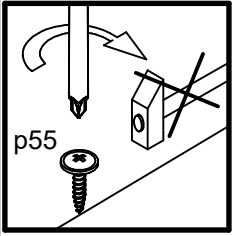
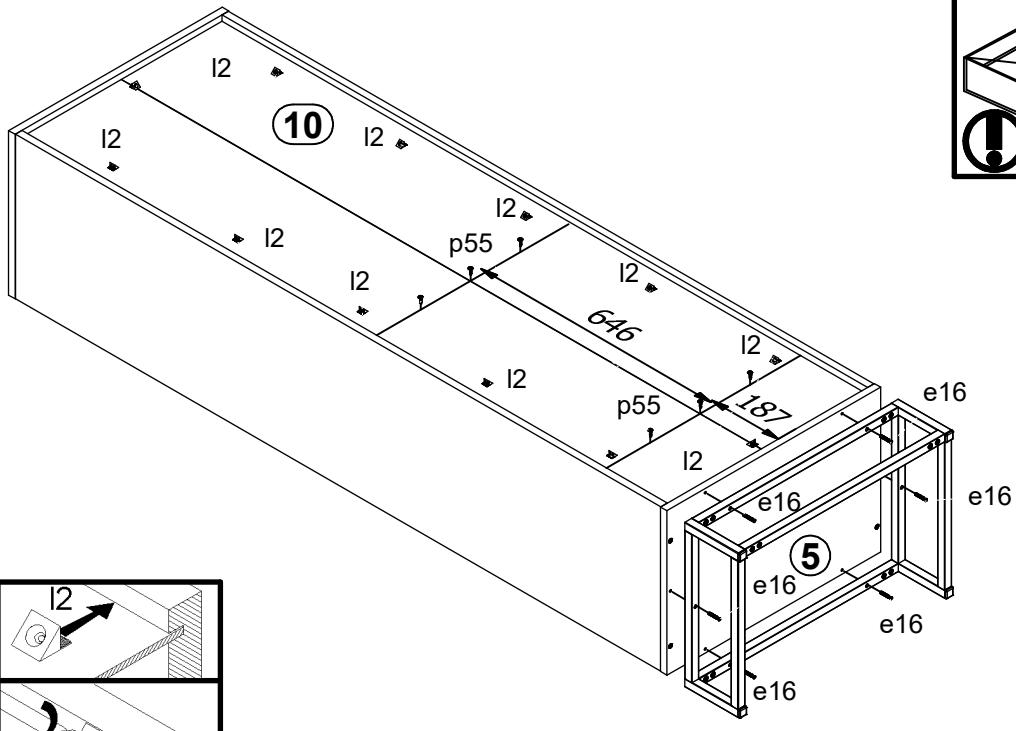
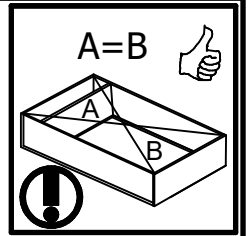
# 5



# 6



# 7



# 8

