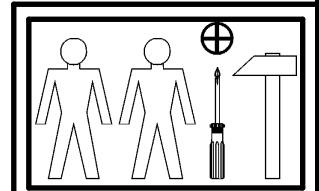
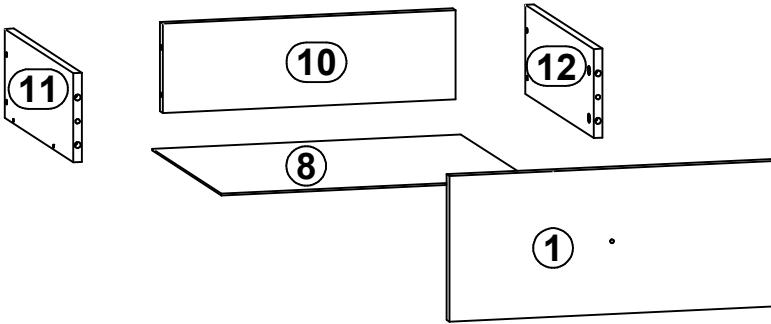
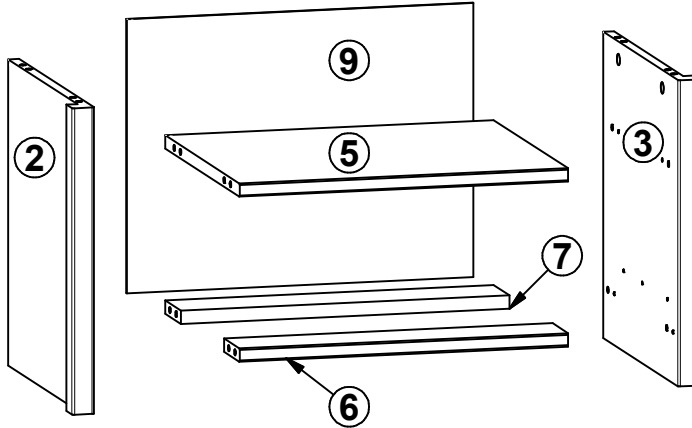
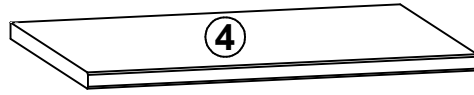


A	B	C	D	
1	S322-033	445	196	2/2
2	S322-152	412	384	1/2
3	S322-153	412	384	1/2
4	S322-210	534	395	1/2
5	S322-316	450	381	1/2
6	S322-429	450	80	1/2
7	S322-431	450	80	1/2
8	S322-926	423	355	1/2
9	S322-943	369	475	1/2
10	ZS3-5575	401	120	1/2
11	ZS4-501	350	120	1/2
12	ZS4-502	350	120	1/2

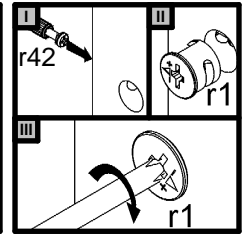
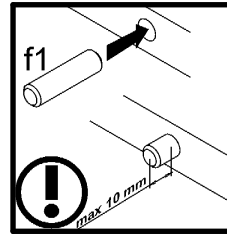
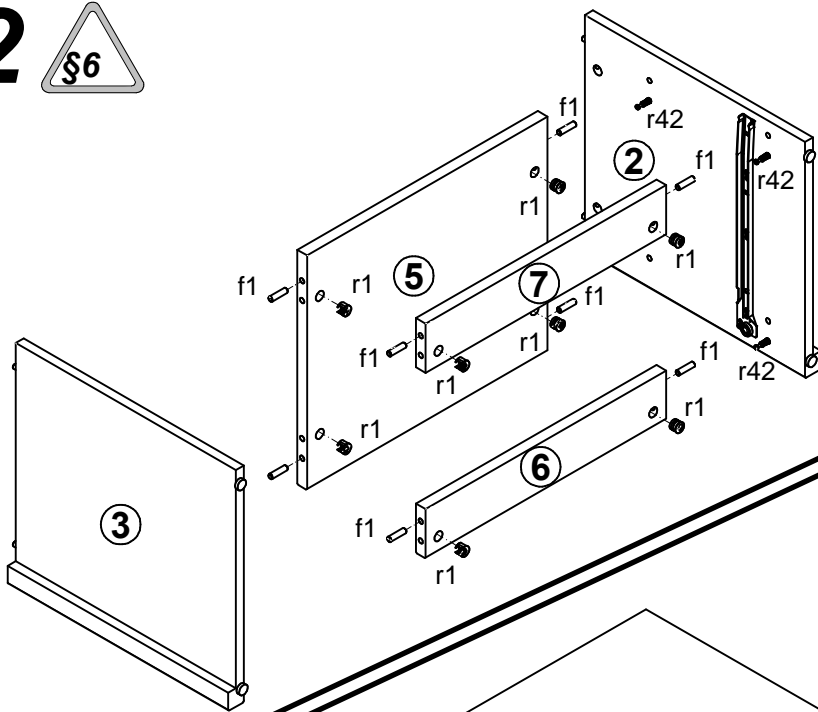


1x M4 c415	6x Ø6x13 mm e3	4x Ø5x9 mm e19	12x Ø8x30 mm f1	2x Ø6x30 mm f9	4x Ø6.5x40 mm f25	1x M4x20 mm j1	4x k1	25x l1
3x Ø3.5x16 mm p38	12x Ø15x12 mm #16 r1	4x Ø12x10.5 mm #12 r15	16x 20/11 r42	1x 350 mm w45\CL	1x 350 mm w45\CR	1x 350 mm w45\DL	1x 350 mm w45\DR	4x Ø16 s2

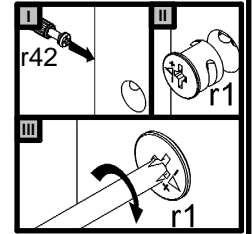
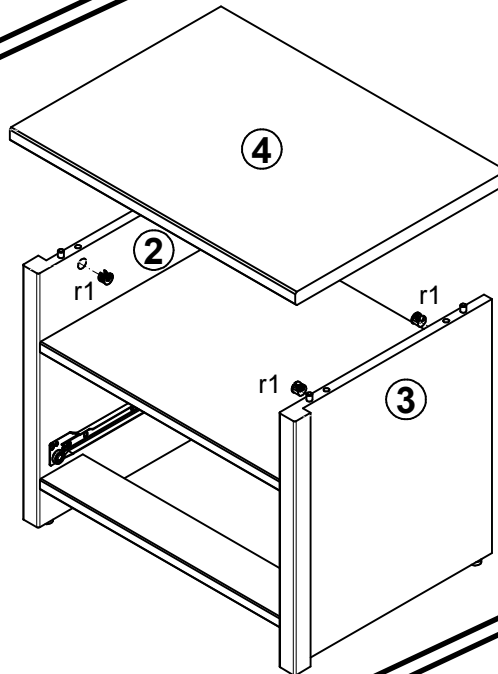
1

Assembly diagram 1 shows the installation of parts 2, 3, and 4. It includes detailed views of how to attach the side panels (2, 3) to the top panel (4) using various screws and spacers.

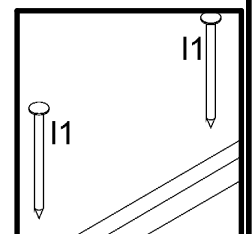
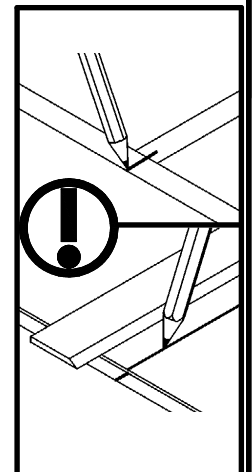
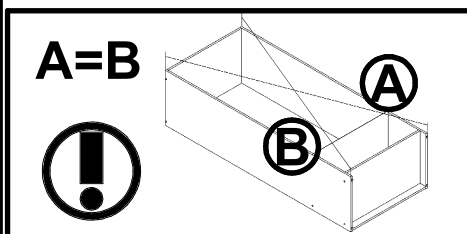
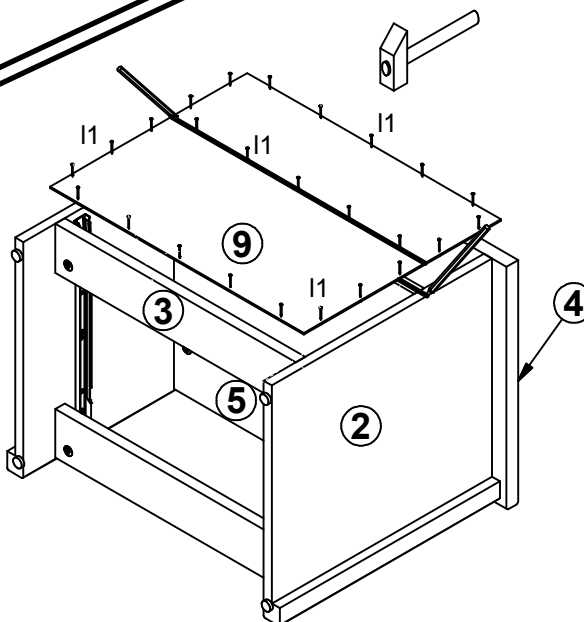
2



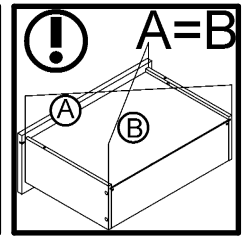
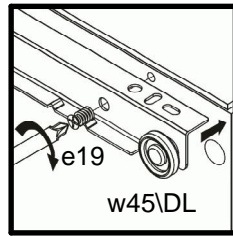
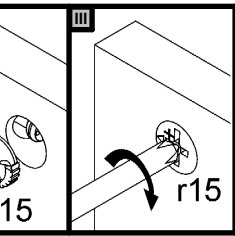
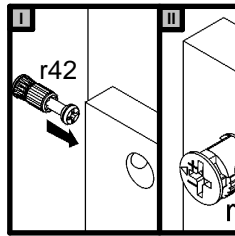
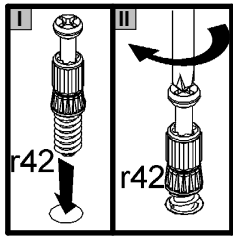
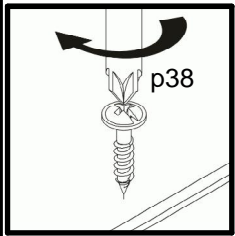
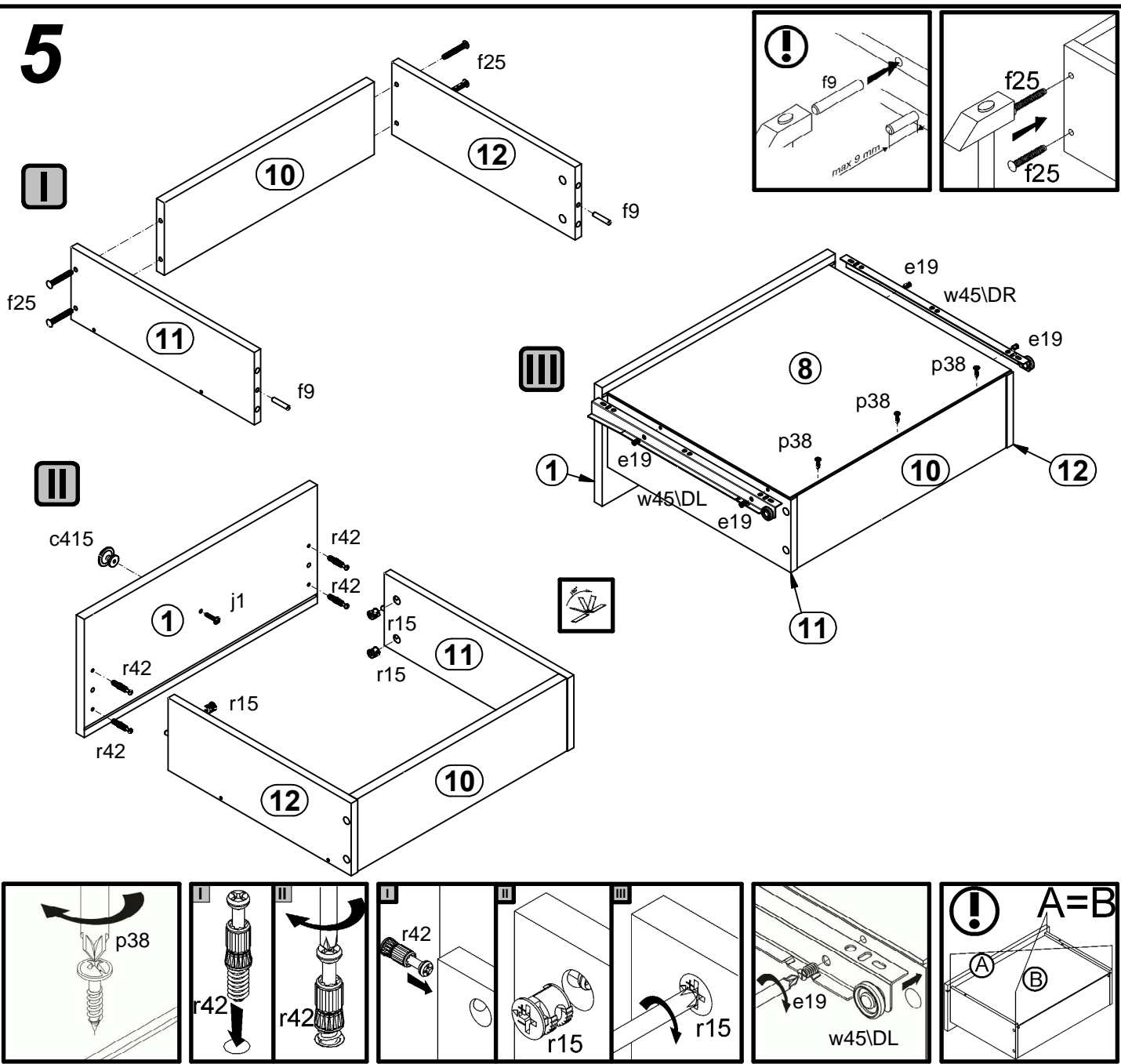
3



4



5



6

