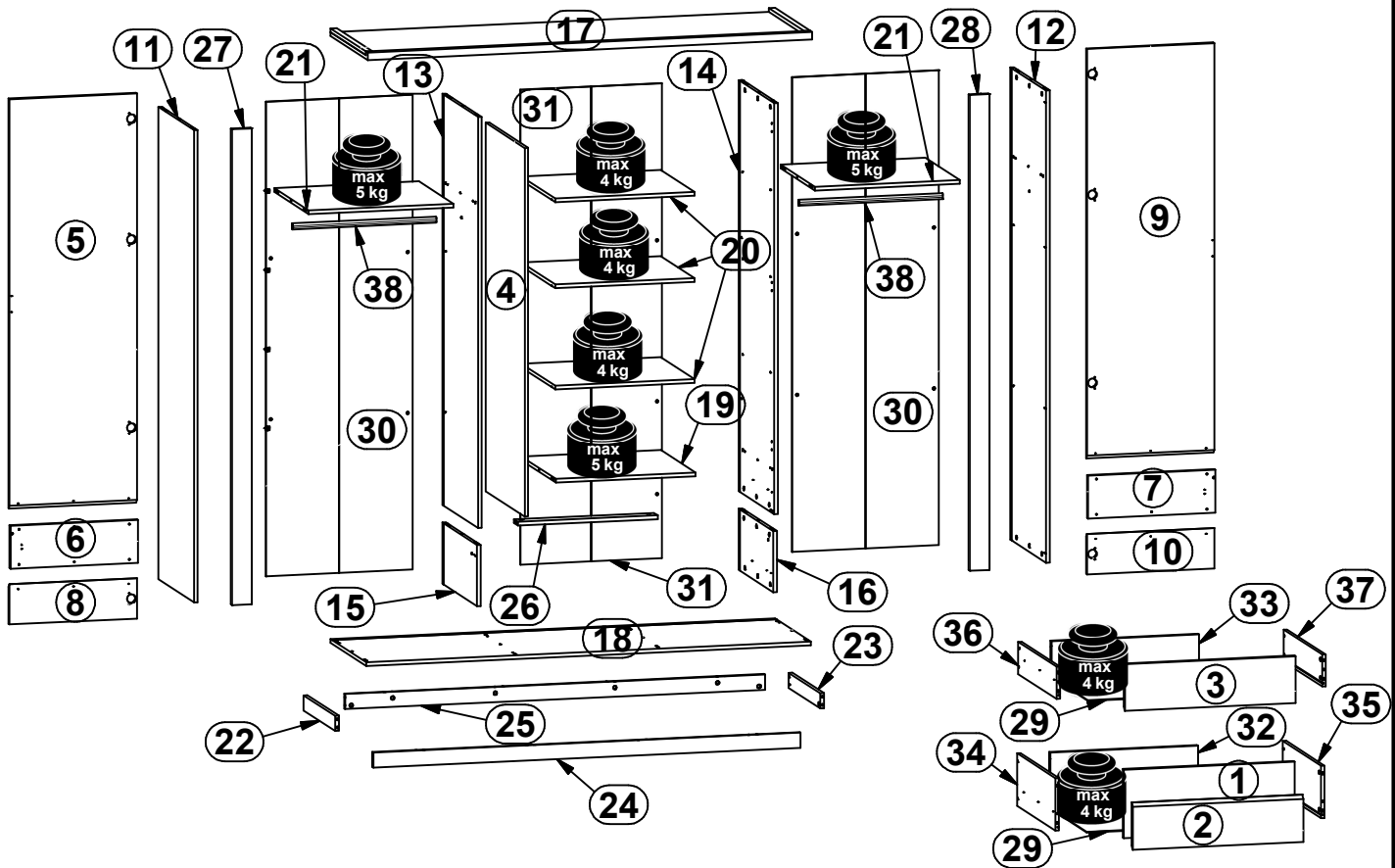
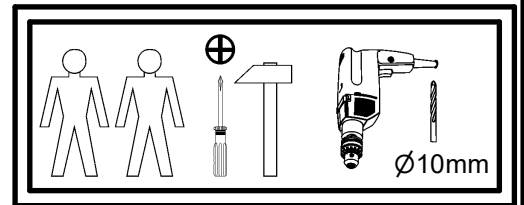
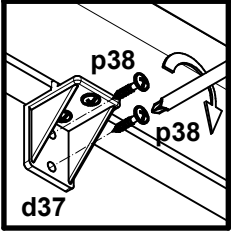
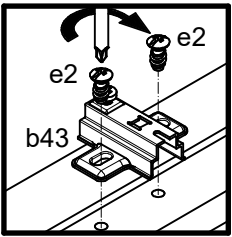
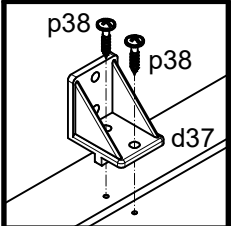
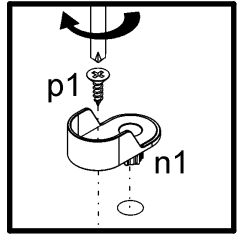
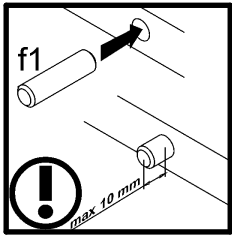
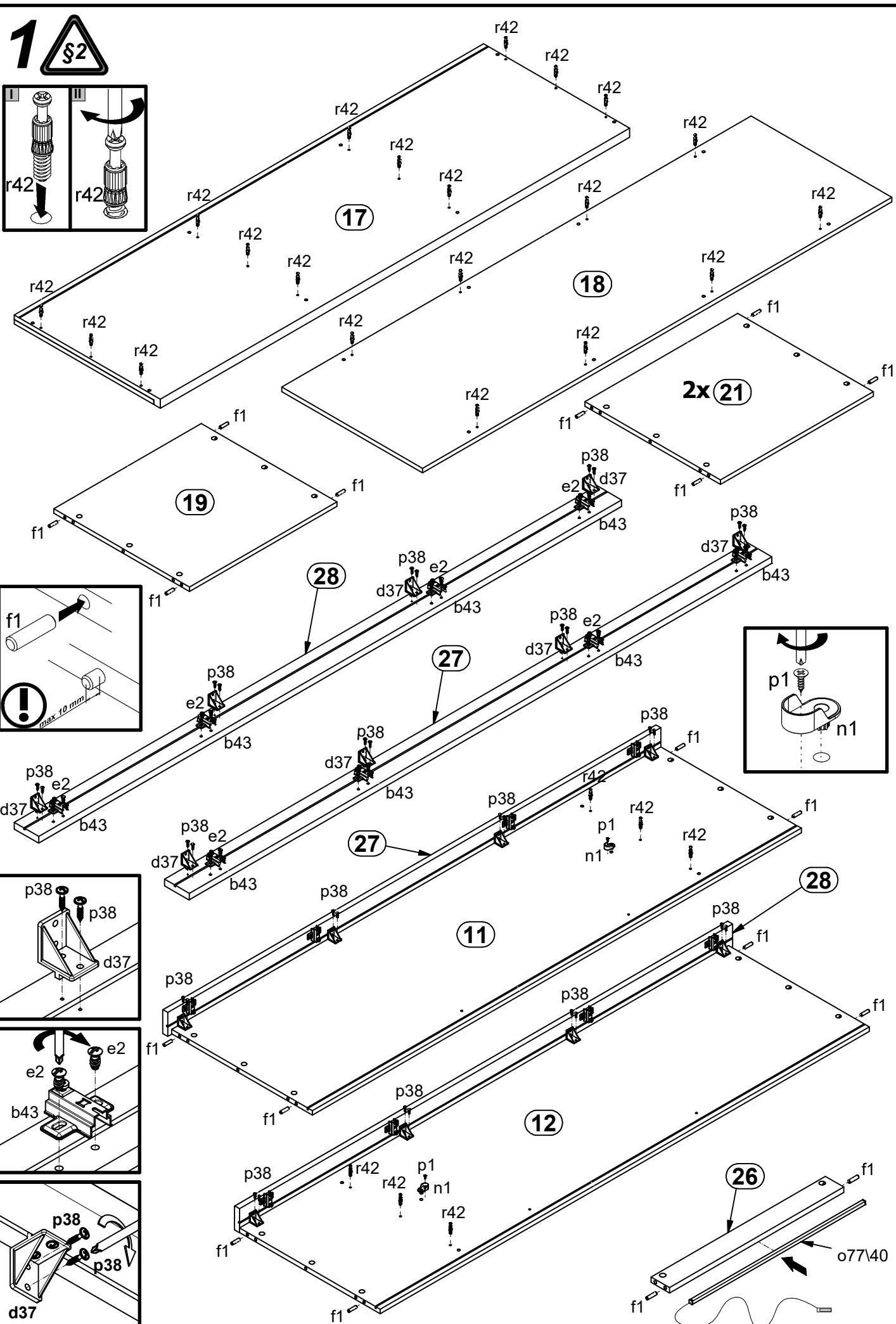
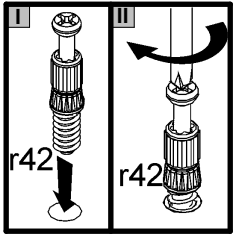


A	B	C	D	A	B	C	D		
1	S467-0029	596	235	4/5	20	S467-3008	565	510	2/5
2	S467-0030	596	160	4/5	21	S467-3009	586,5	520	2/5
3	S467-0031	596	160	4/5	22	S467-4026	481	60	2/5
4	S467-0032	1465	596	5/5	23	S467-4027	481	60	2/5
5	S467-0033	1629	516	5/5	24	S467-4040	1732	60	3/5
6	S467-0034	516	170	4/5	25	S467-4041	1701	60	3/5
7	S467-0051	516	170	4/5	26	S467-4042	566	60	2/5
8	S467-0035	516	160	4/5	27	S467-5020	1892	80	1/5
9	S467-0036	1629	516	5/5	28	S467-5021	1892	80	1/5
10	S467-0037	516	160	4/5	29	S467-9012	527	507	2/5
11	S467-1030	1877	540	1/5	30	S467-9304	1887	595	1/5
12	S467-1031	1877	540	1/5	31	S467-9306	1887	574	1/5
13	S467-1032	1634	540	4/5	32	ZK3-5109	516	167	2/5
14	S467-1033	1634	540	4/5	33	ZK3-5110	516	97	2/5
15	S467-1034	243	525	2/5	34	ZK4-509	500	180	2/5
16	S467-1035	243	525	2/5	35	ZK4-510	500	180	2/5
17	S467-2013	1801	560	3/5	36	ZK4-529	500	110	2/5
18	S467-2014	1801	540	3/5	37	ZK4-530	500	110	2/5
19	S467-3007	566	520	2/5	38	dr-582	582	30	2/5

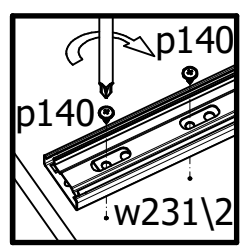
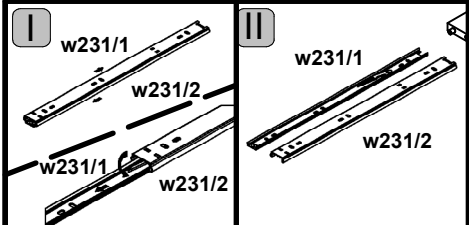
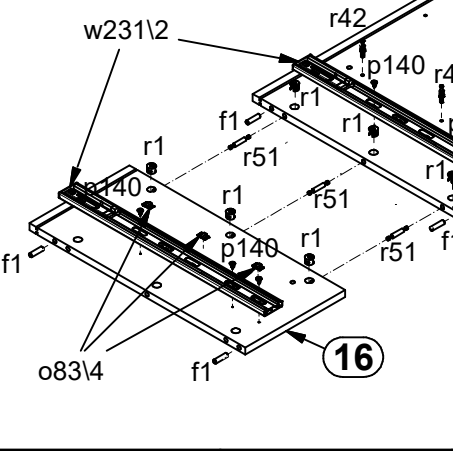
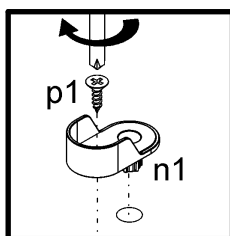
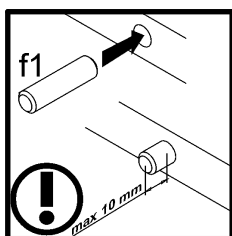
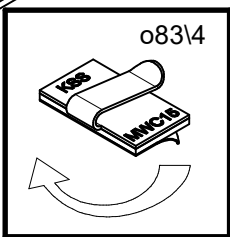
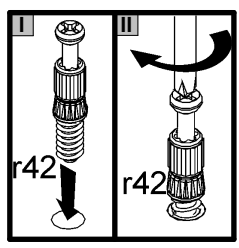
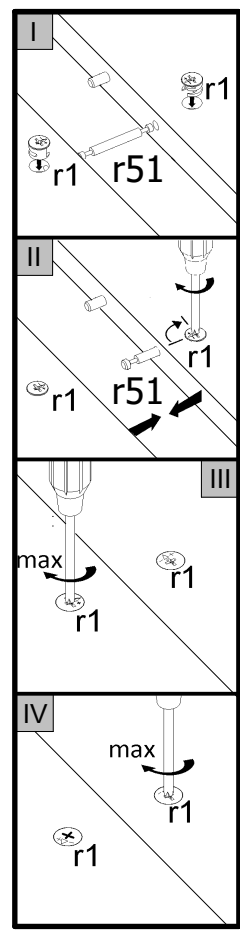
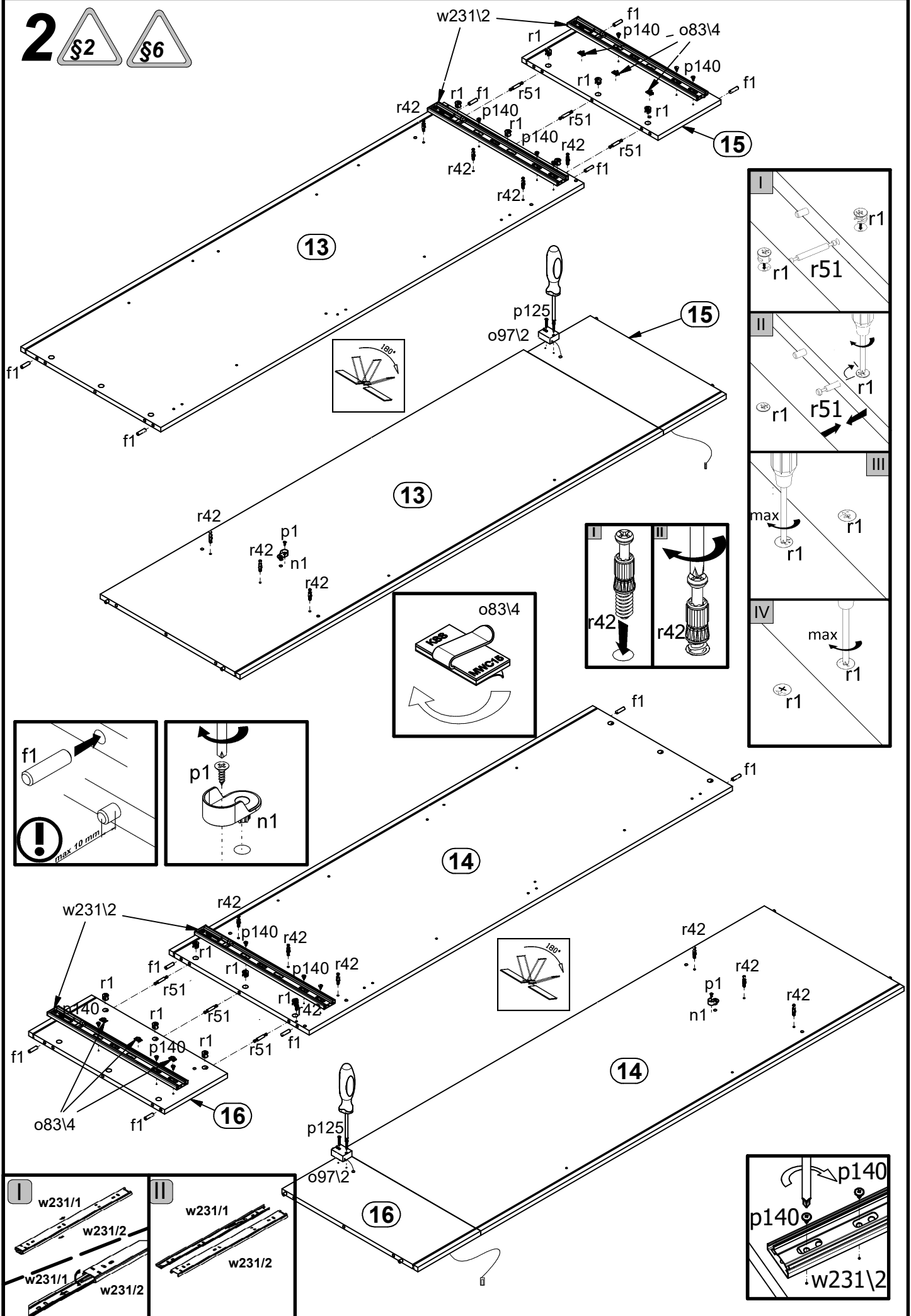


8x a132	1x a133	3x a158	8x b43	3x b78	2x c485	12x d1	12x d20	8x d37
22x e2 Ø6,3x13 mm	12x e50 Ø6,3x10 mm	46x f1 Ø8x30 mm	4x f9 Ø6x30 mm	8x f25 Ø6,5x40 mm	8x k1	36x l2	4x n1 h=22mm	8x p1 Ø3,5x13 mm
6x p14 Ø3x20 mm	2x p25 Ø3,5x16 mm	2x p35 Ø3,5x10 mm	40x p38 Ø3,5x16 mm	22x p51 Ø3,5x15 mm	18x p94 Ø4x28 mm	4x p125 Ø3x30 mm	24x p140 Ø3,5x12 mm	68x r1 Ø15x12 mm #16
8x r15 Ø12x10,5 mm #12	64x r42 20/11	6x r51 40 mm	2x t34 500 mm	4x w231/1 L=500 mm	4x w231/2 L=500 mm	30x s68 Ø 20mm		
1x o70/17 3P 15W	1x o77/40 10x10 mm L=560 mm	8x o83/4 10x18 mm	2x o97/1	2x o97/2	2x o134/2 10x5 mm L=511 mm		1x n26	1x p38 Ø3,5x16 mm

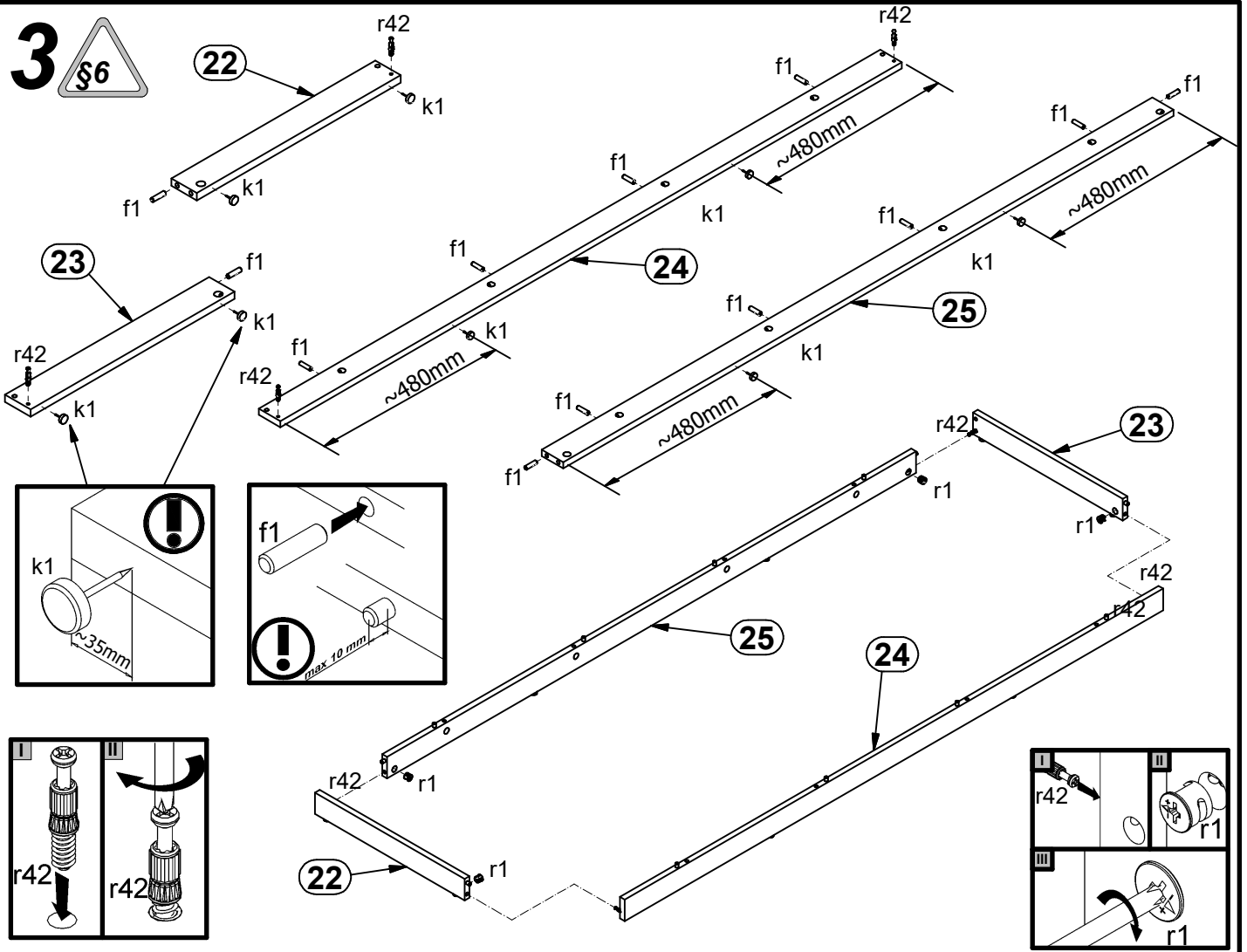
1 



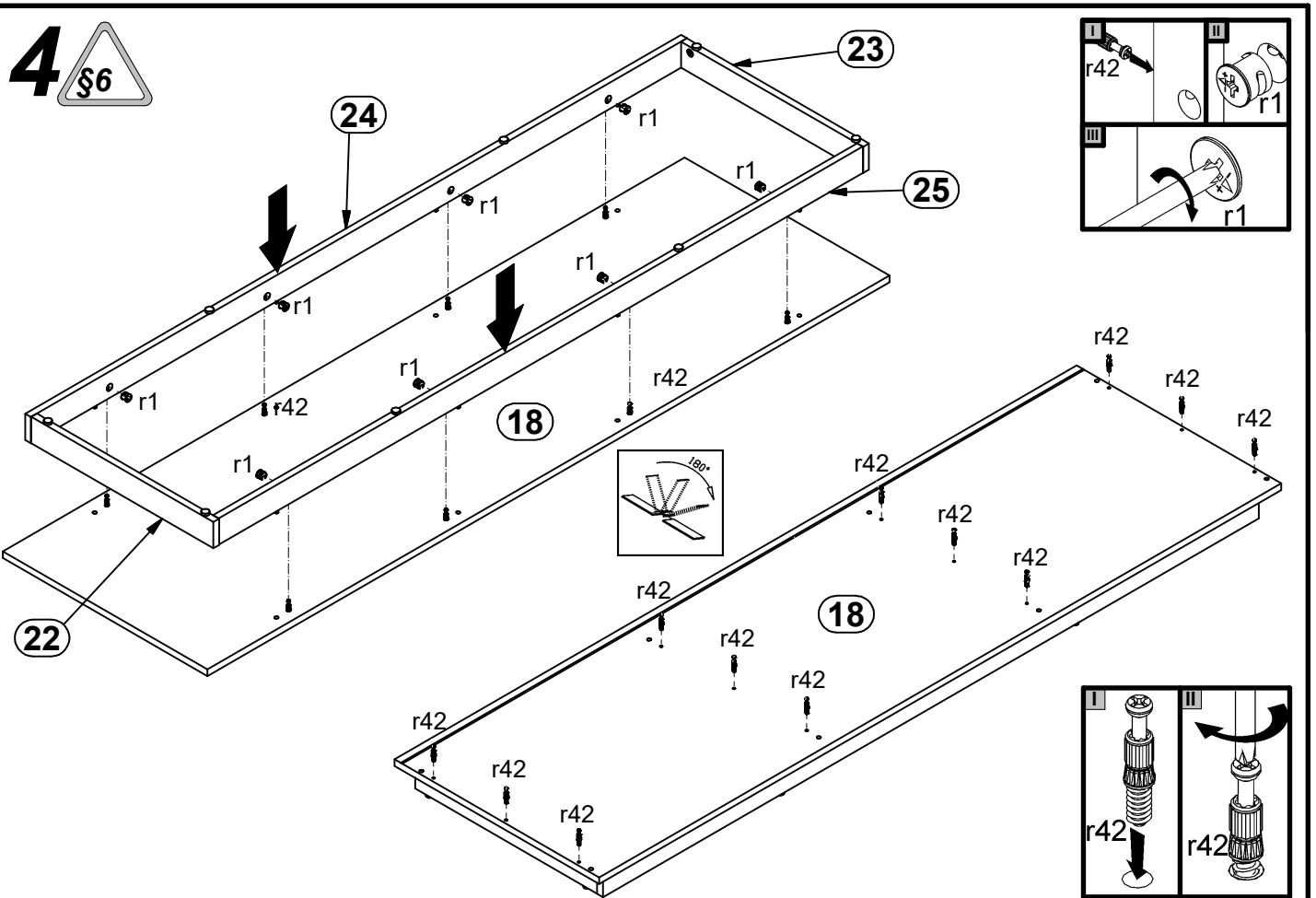
2  



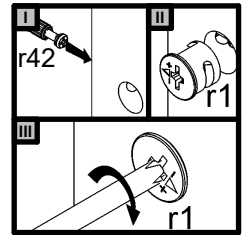
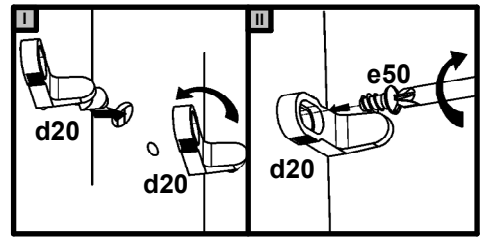
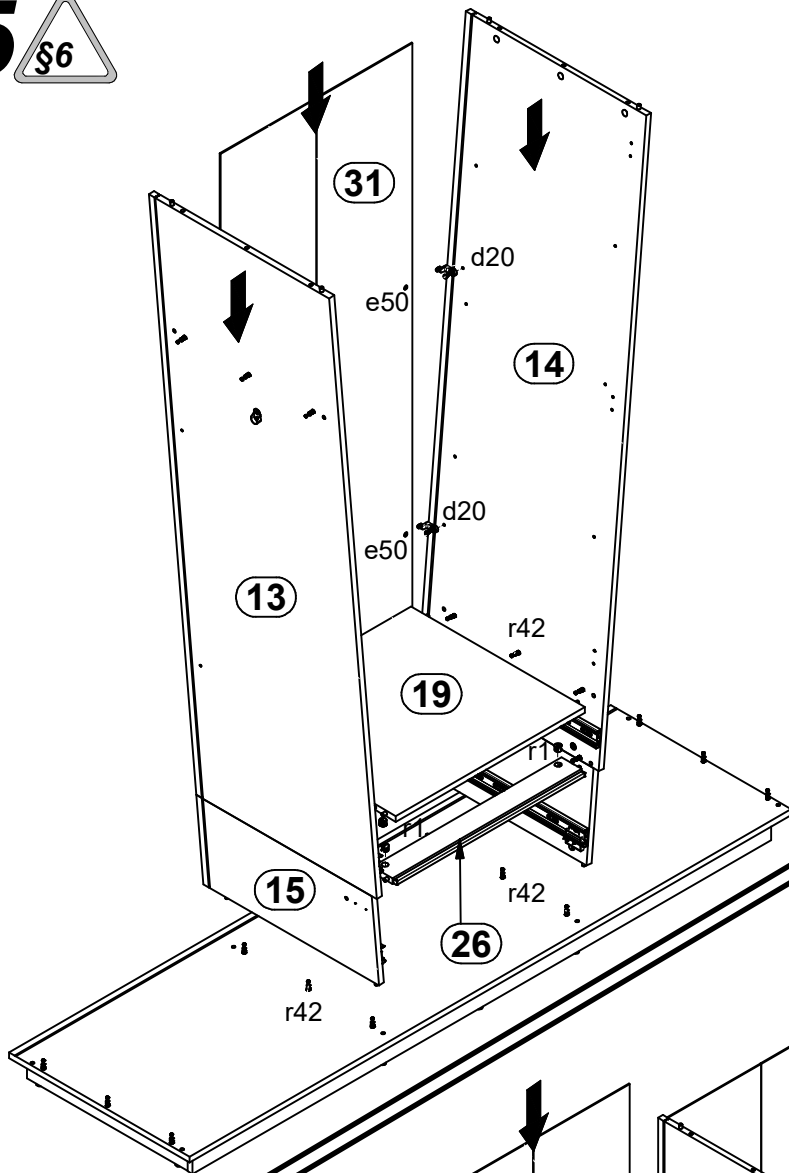
3



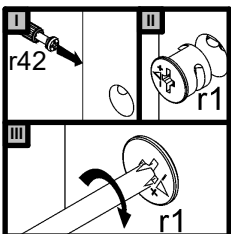
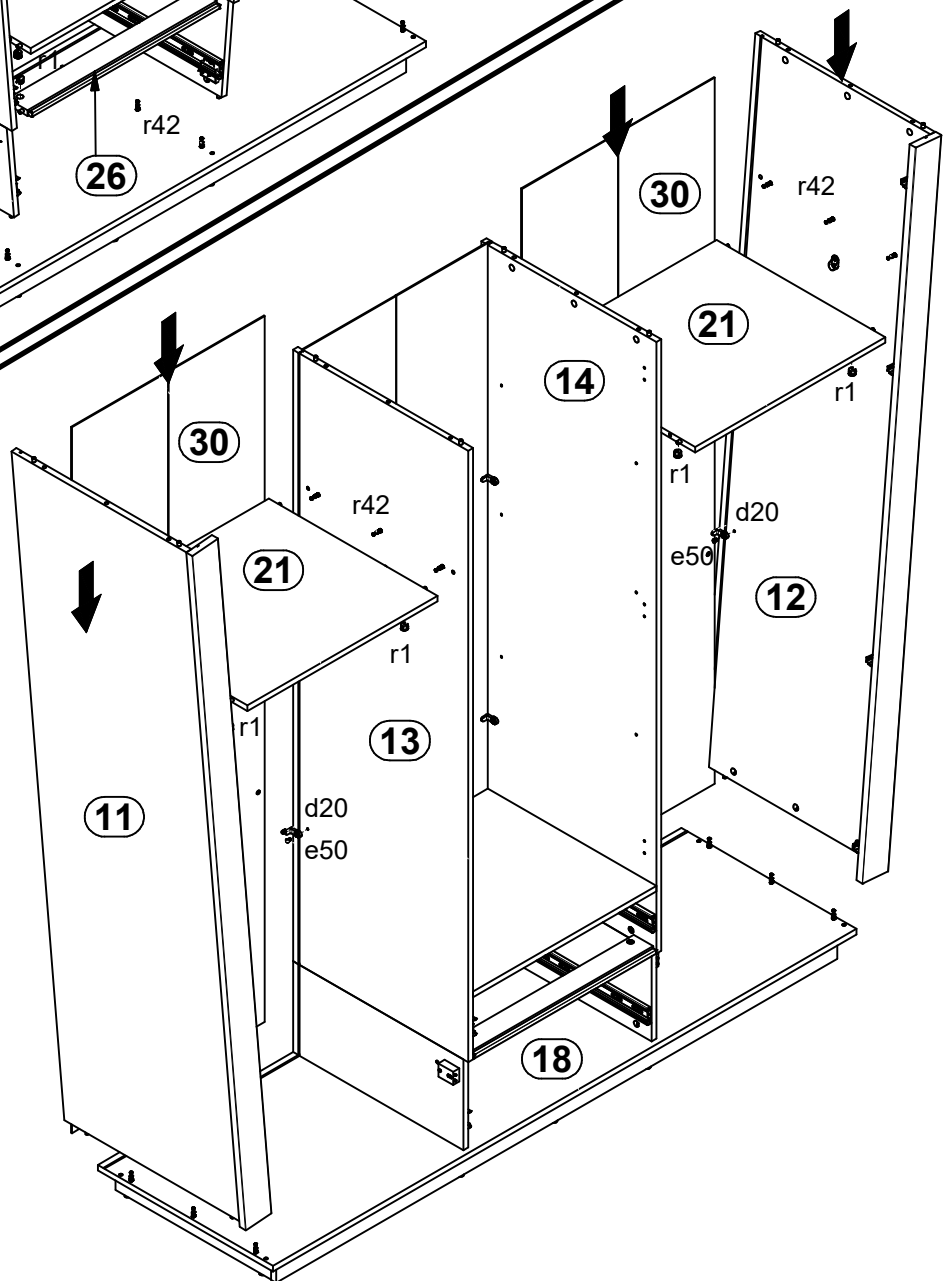
4



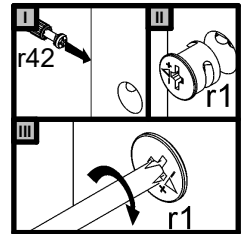
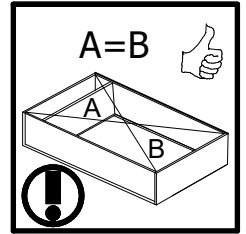
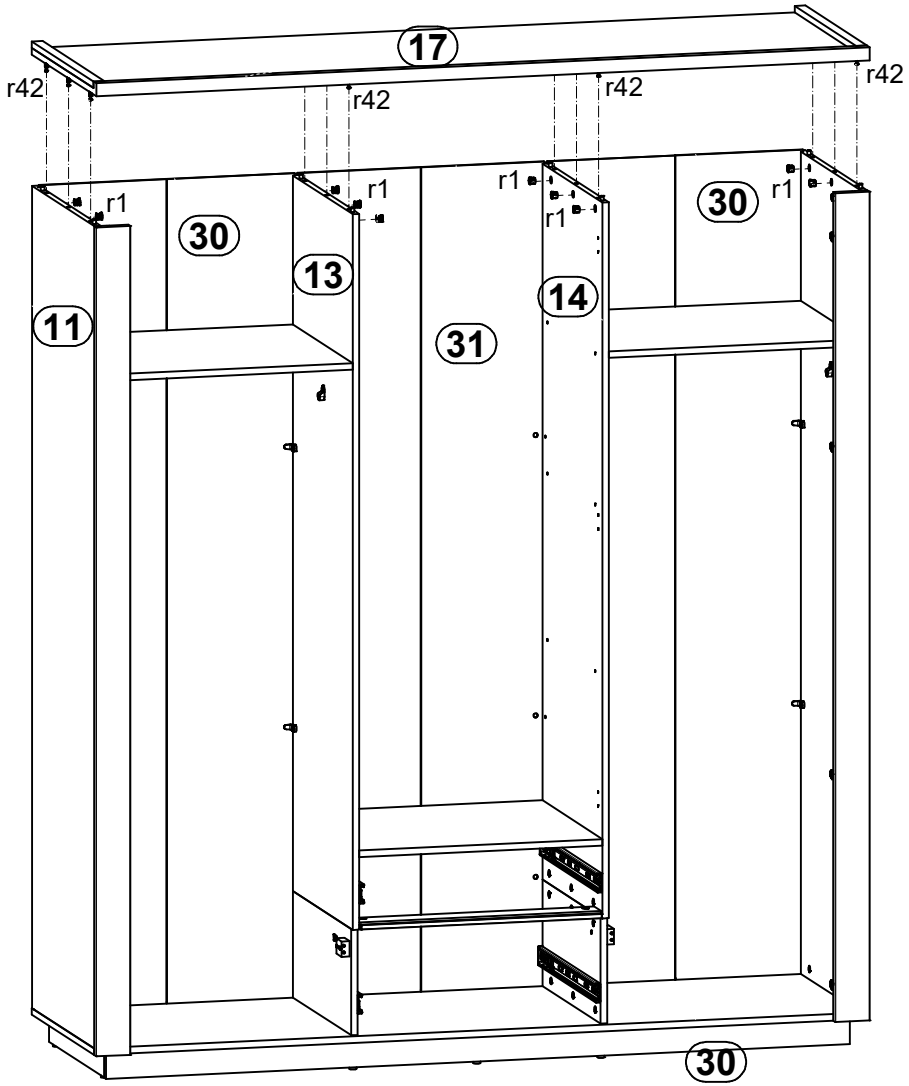
5 §6



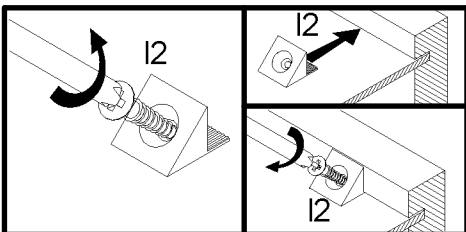
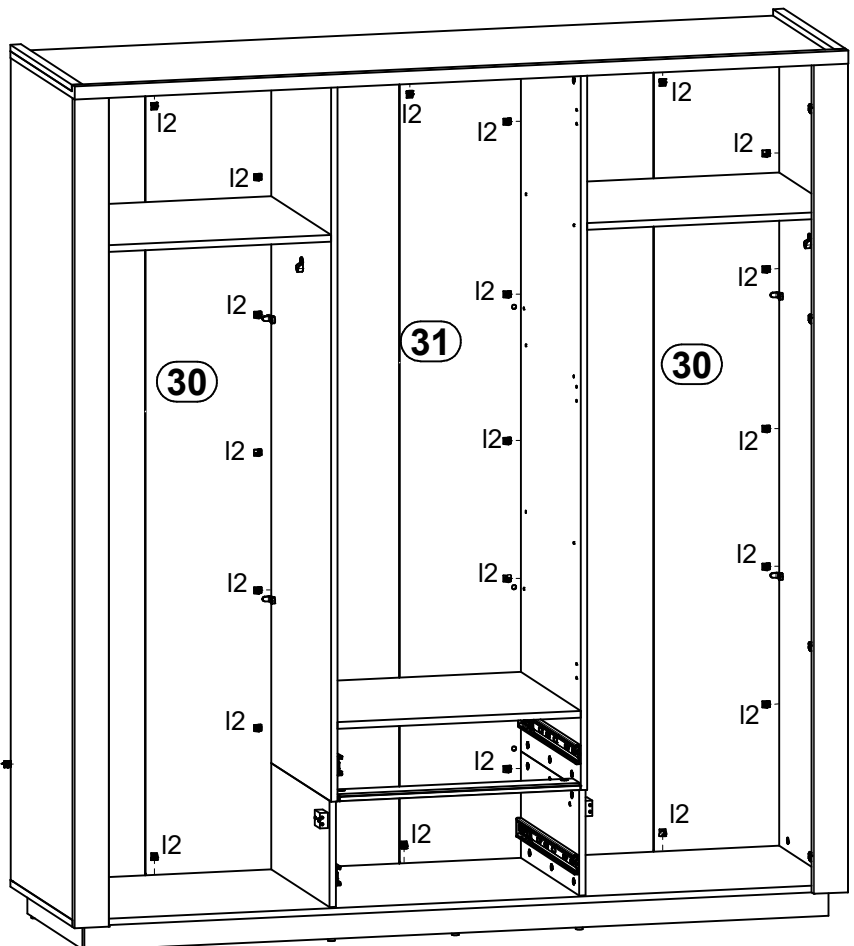
6 §6



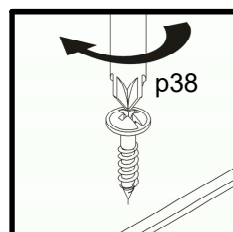
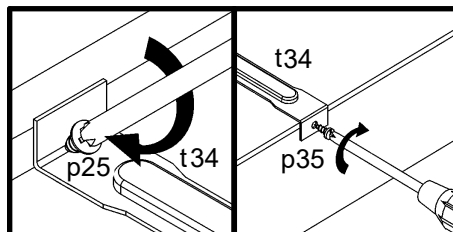
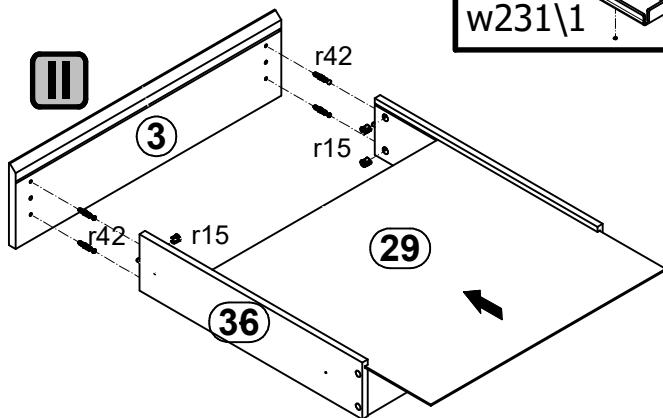
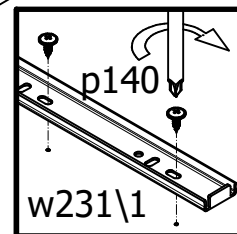
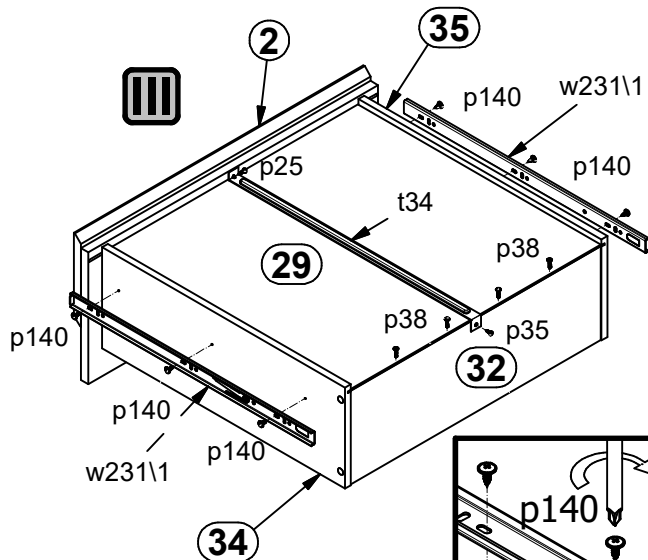
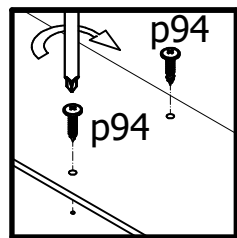
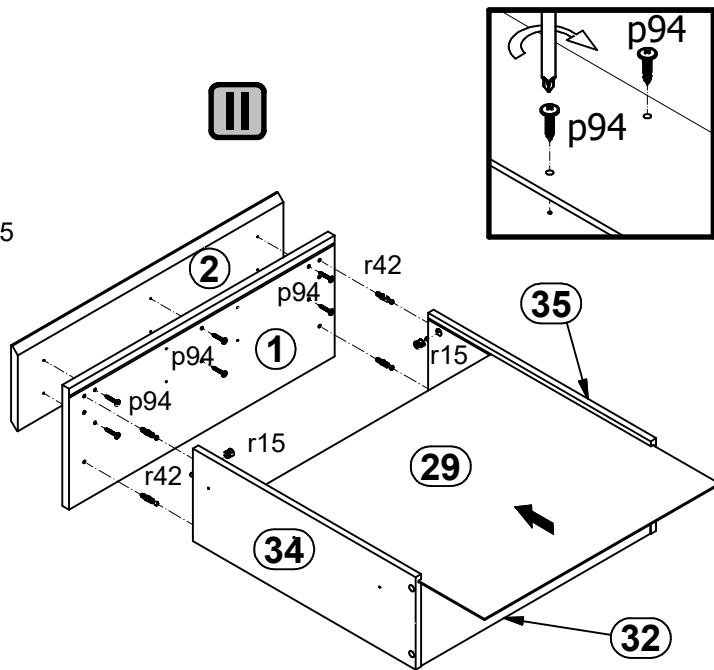
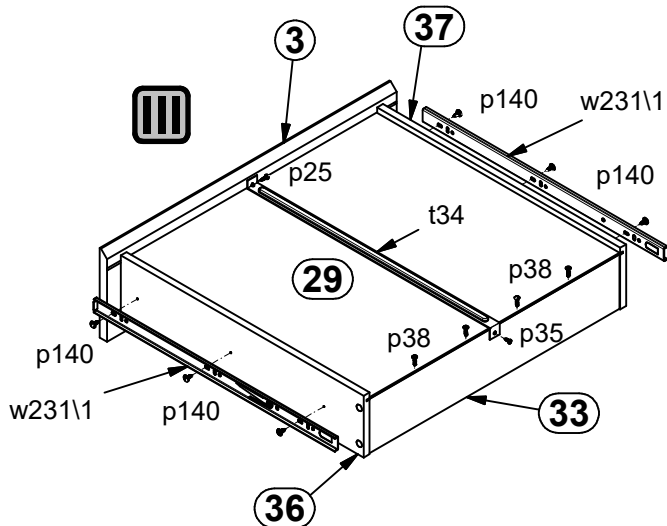
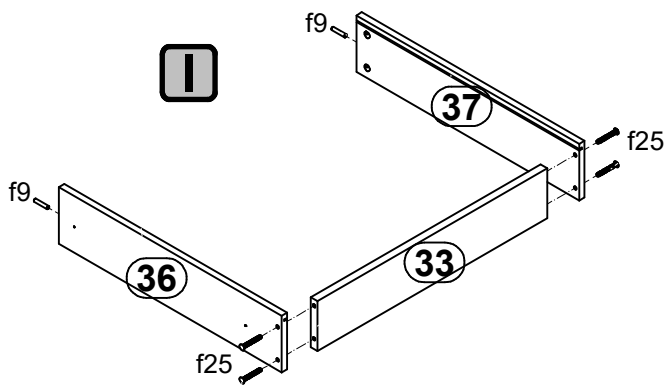
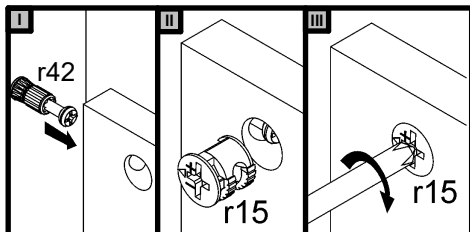
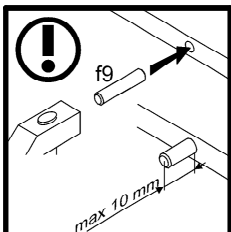
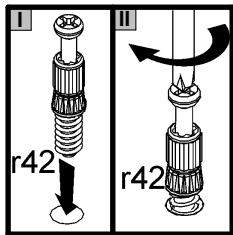
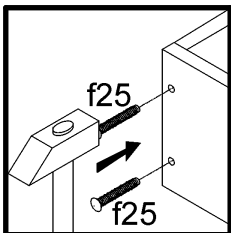
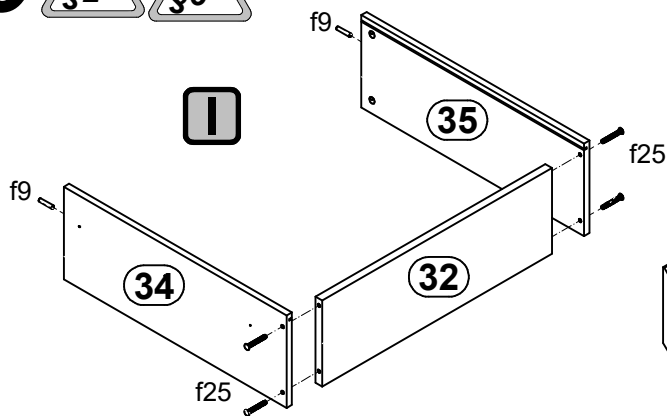
7



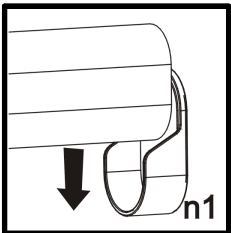
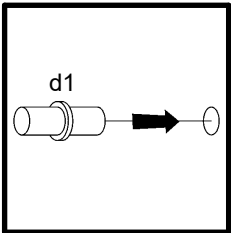
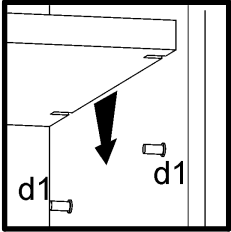
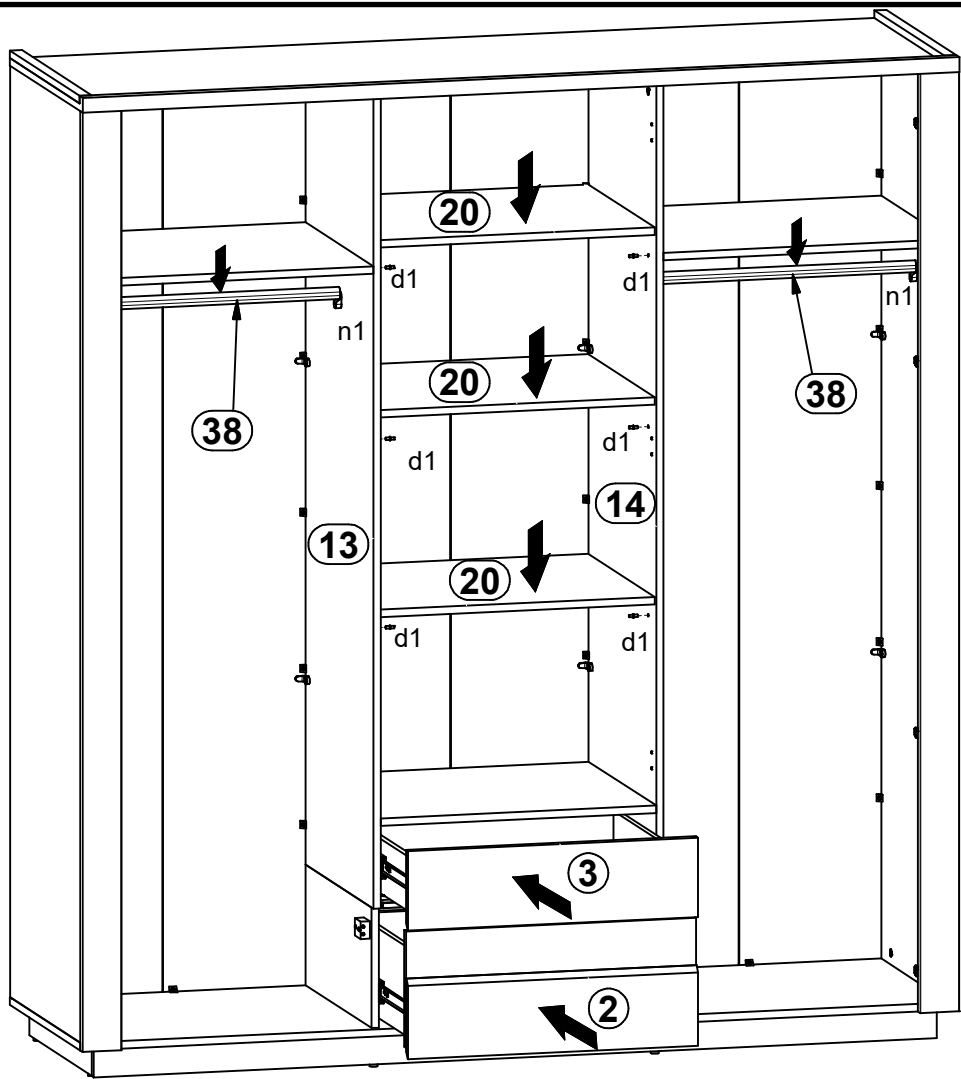
8



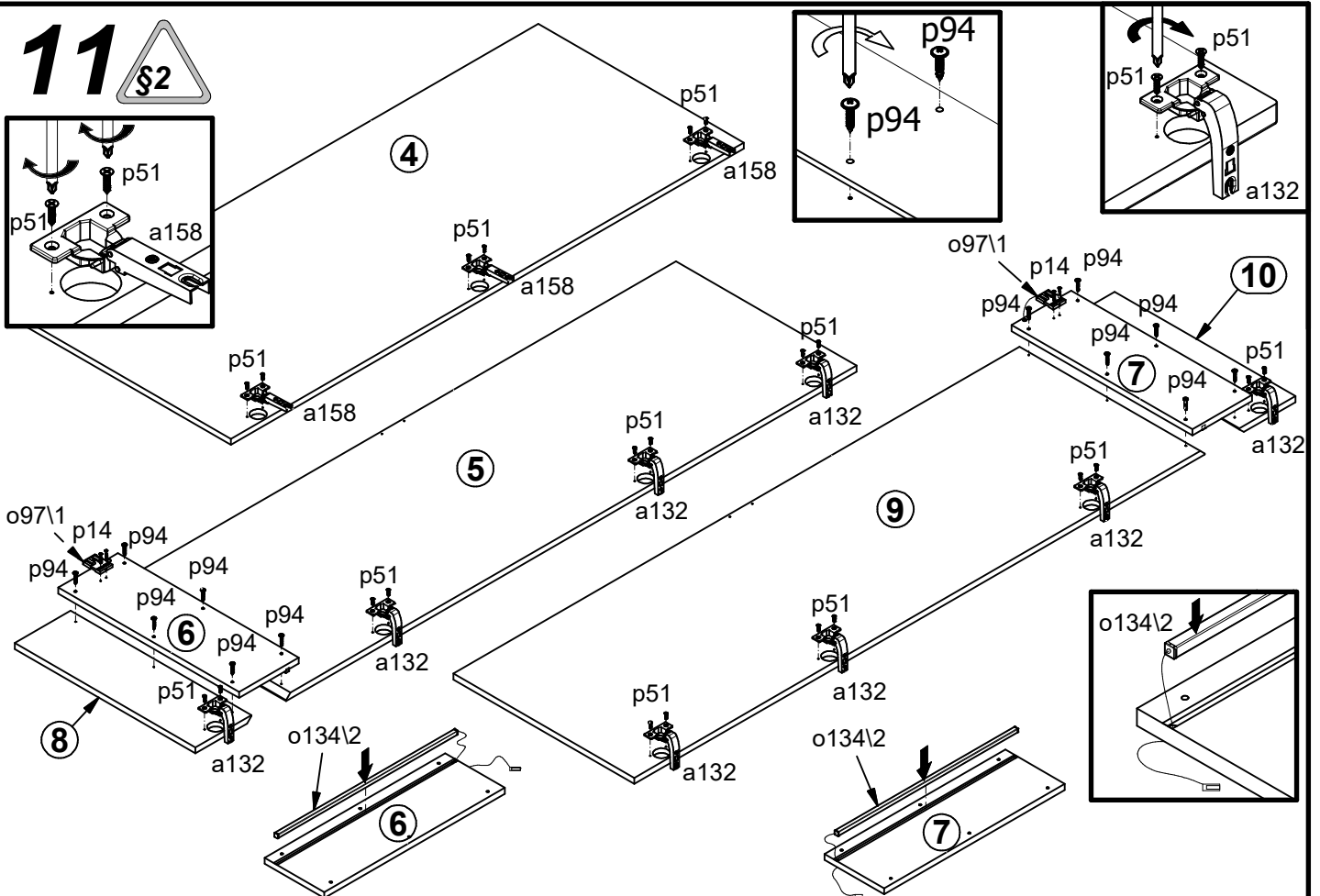
9



10



11



12

