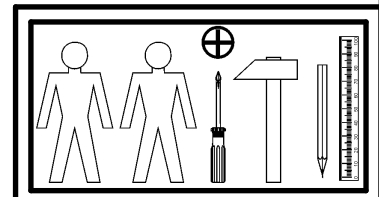
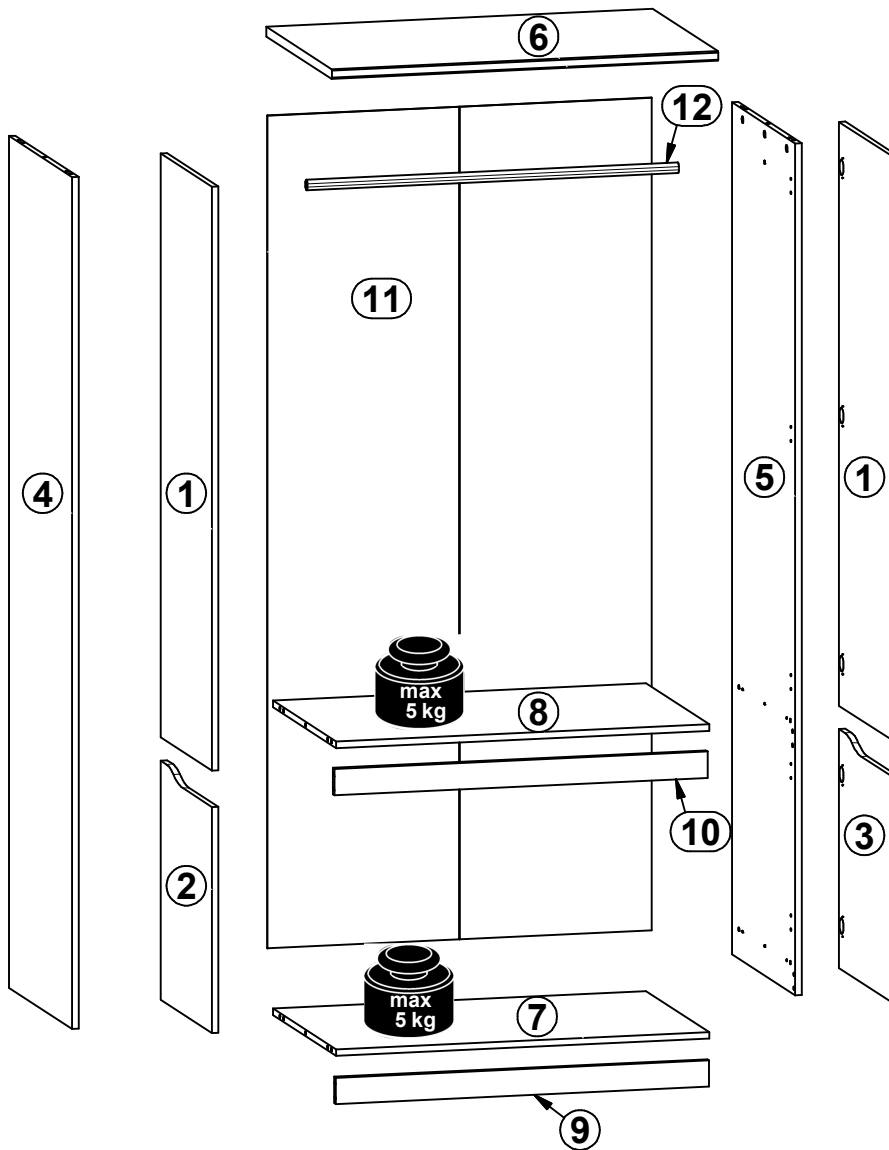
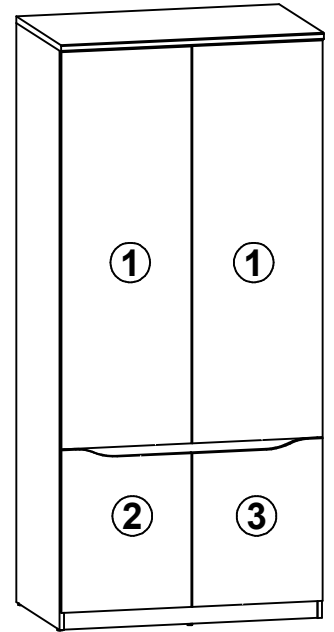
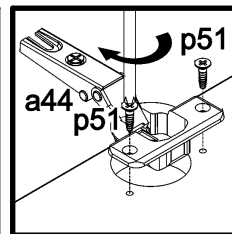
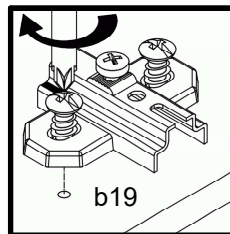
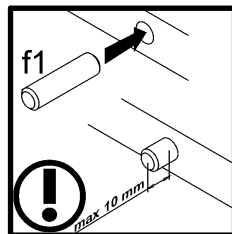
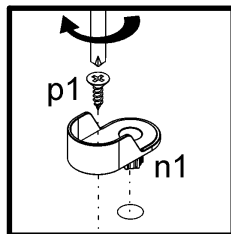
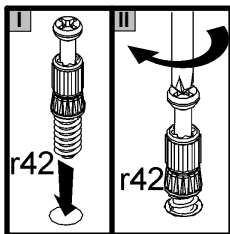
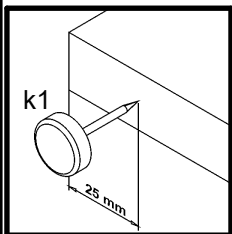
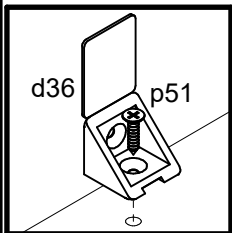
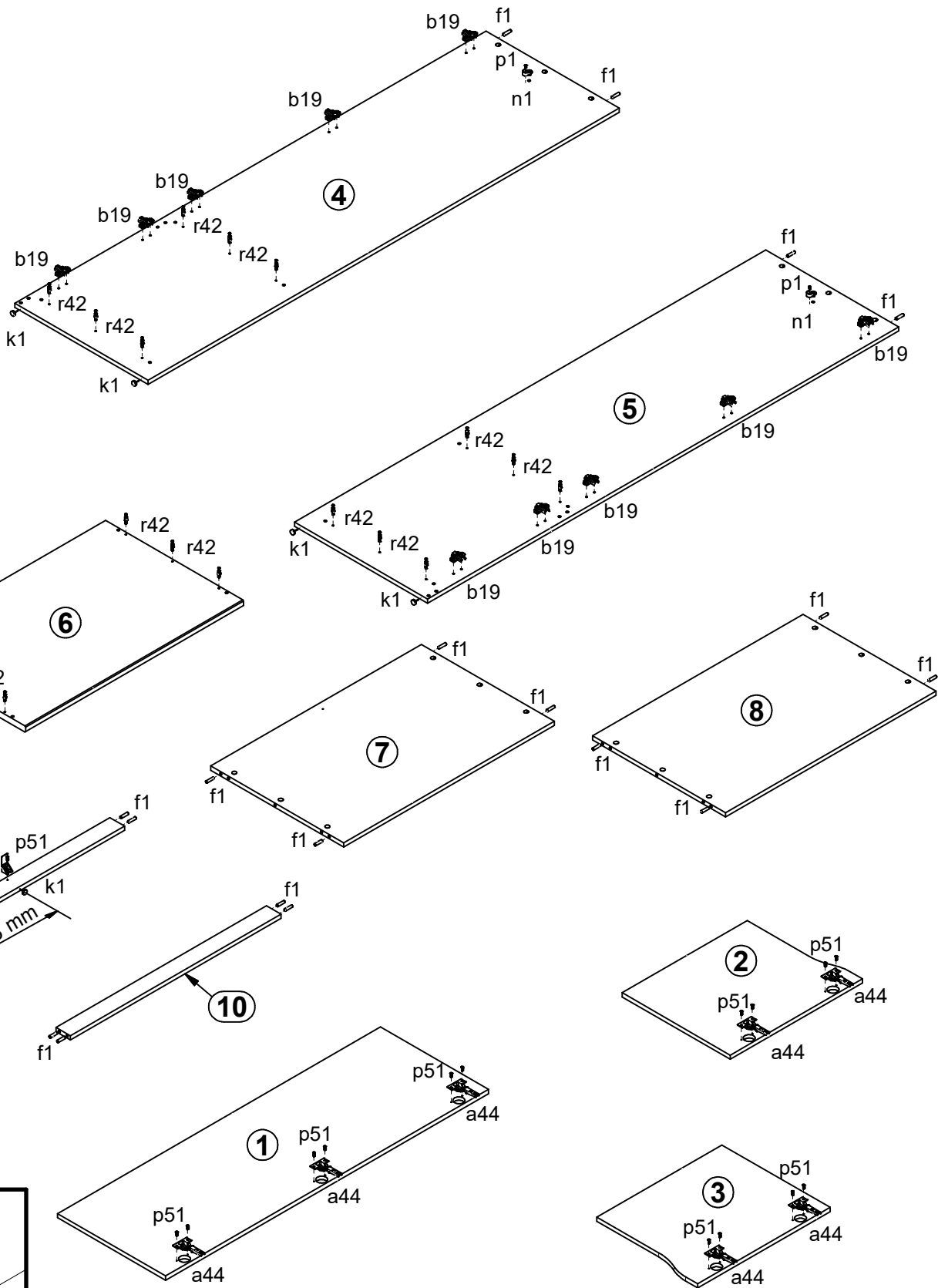


A	B	C	D	
1	S396-0001	1333	446	3/3
2	S396-0002	546	446	3/3
3	S396-0003	546	446	3/3
4	S396-1001	1945	550	2/3
5	S396-1002	1945	550	2/3
6	S396-2001	900	570	1/3
7	S396-3001	869	549	1/3
8	S396-3009	869	549	1/3
9	S396-4001	869	60	1/3
10	S396-4002	869	60	1/3
11	S396-9301	1901	895	2/3
12	dr-865	865	22	1/3

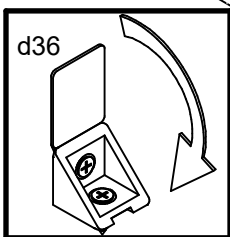
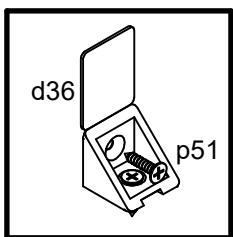
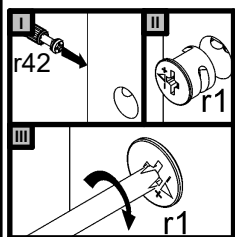
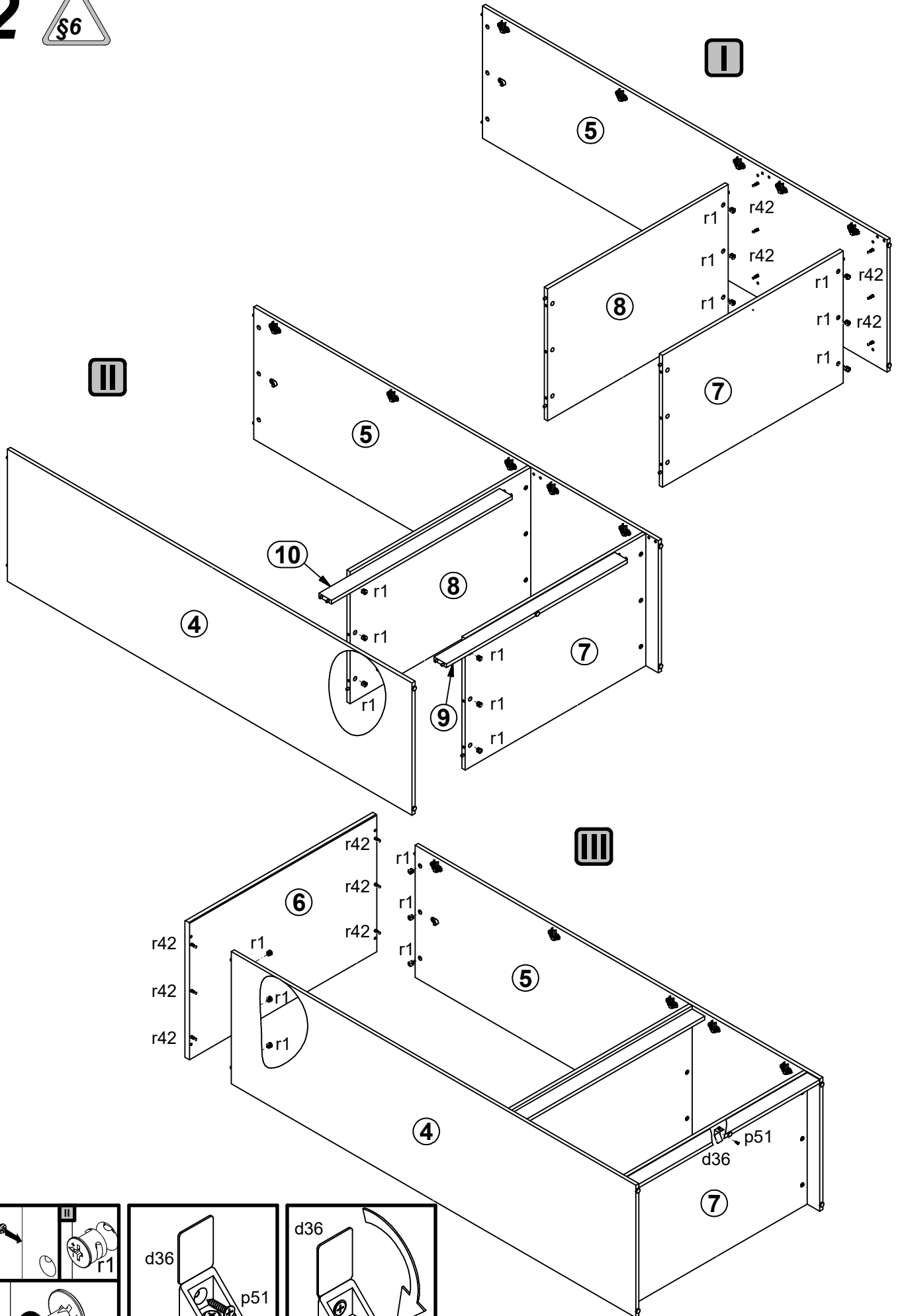


10x a44	10x b19	1x d36	20x f1 Ø8x30 mm	5x k1	70x l1	2x n1 h=22mm	4x o21 silikon	2x p1 Ø3.5x13 mm
22x p51 Ø3.5x15 mm	18x r1 Ø15x12 mm #16	18x r42 20/11	6x s2 Ø16	1x n26\1	1x p38 Ø3.5x16 mm			

1 §2

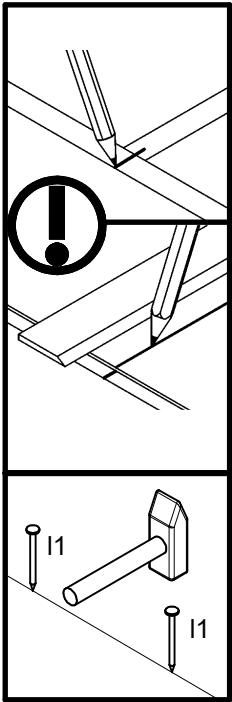
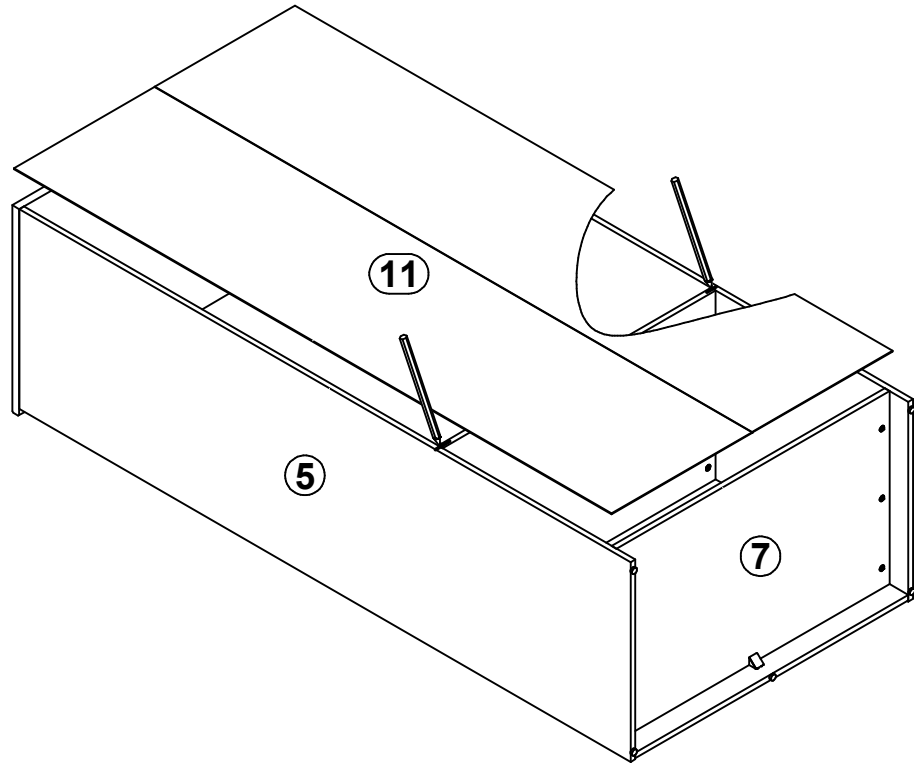


# 2

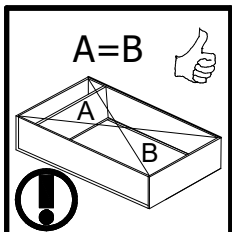
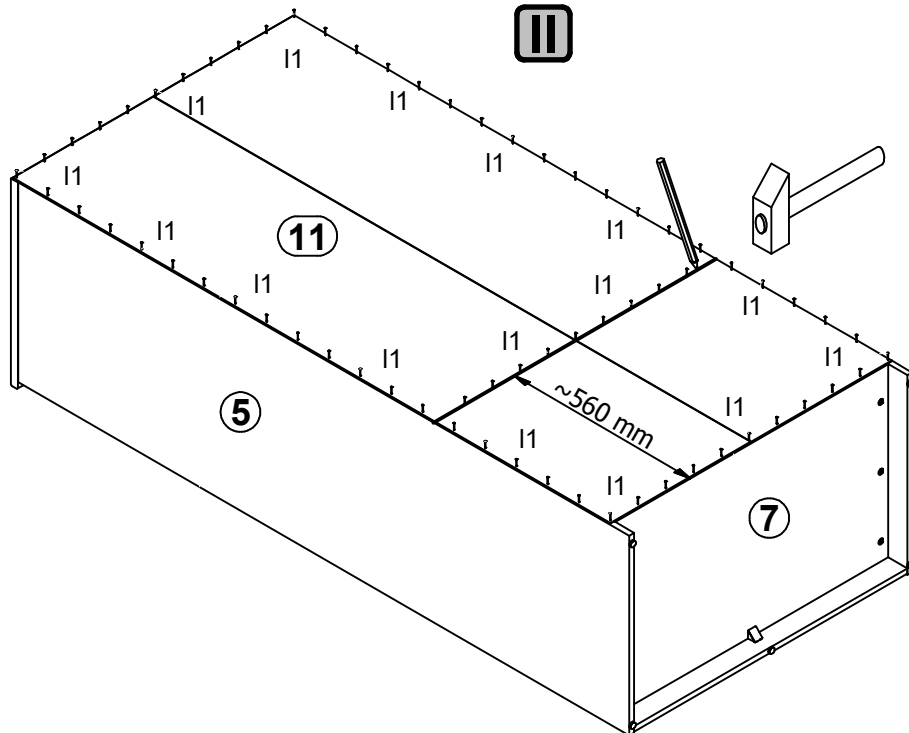


# 3

## I



## II



# 4

