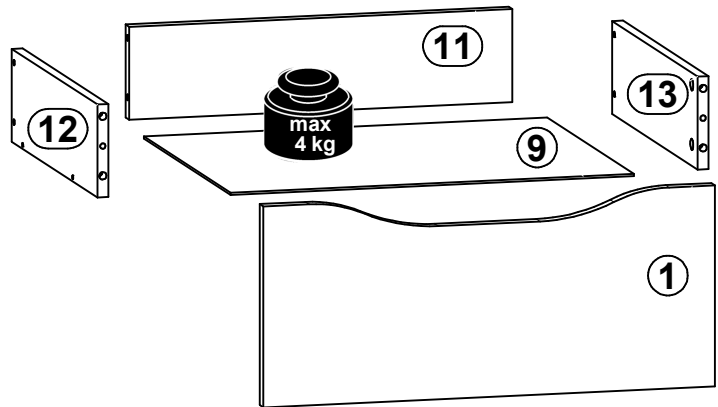
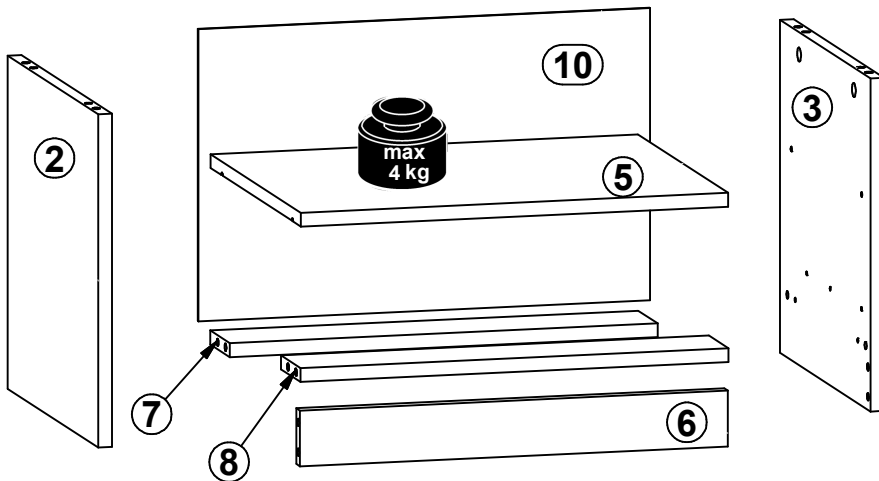
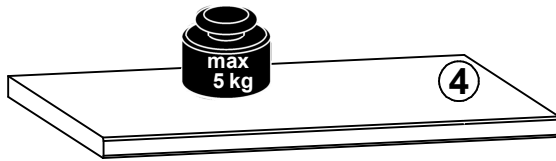
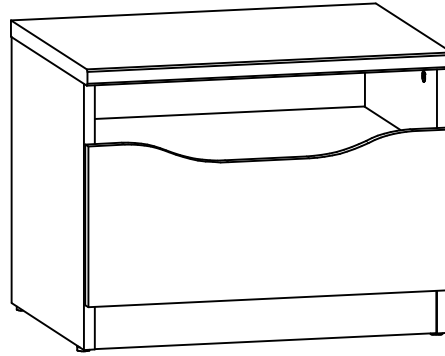
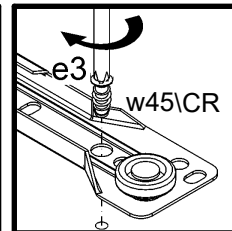
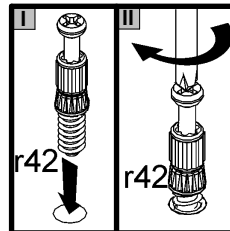
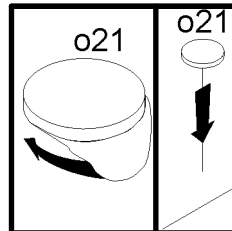
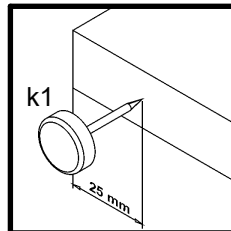
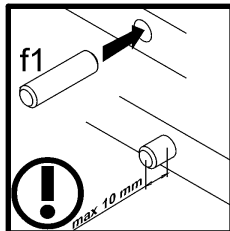
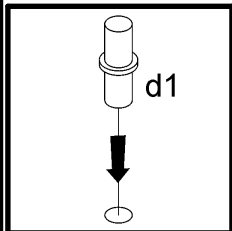
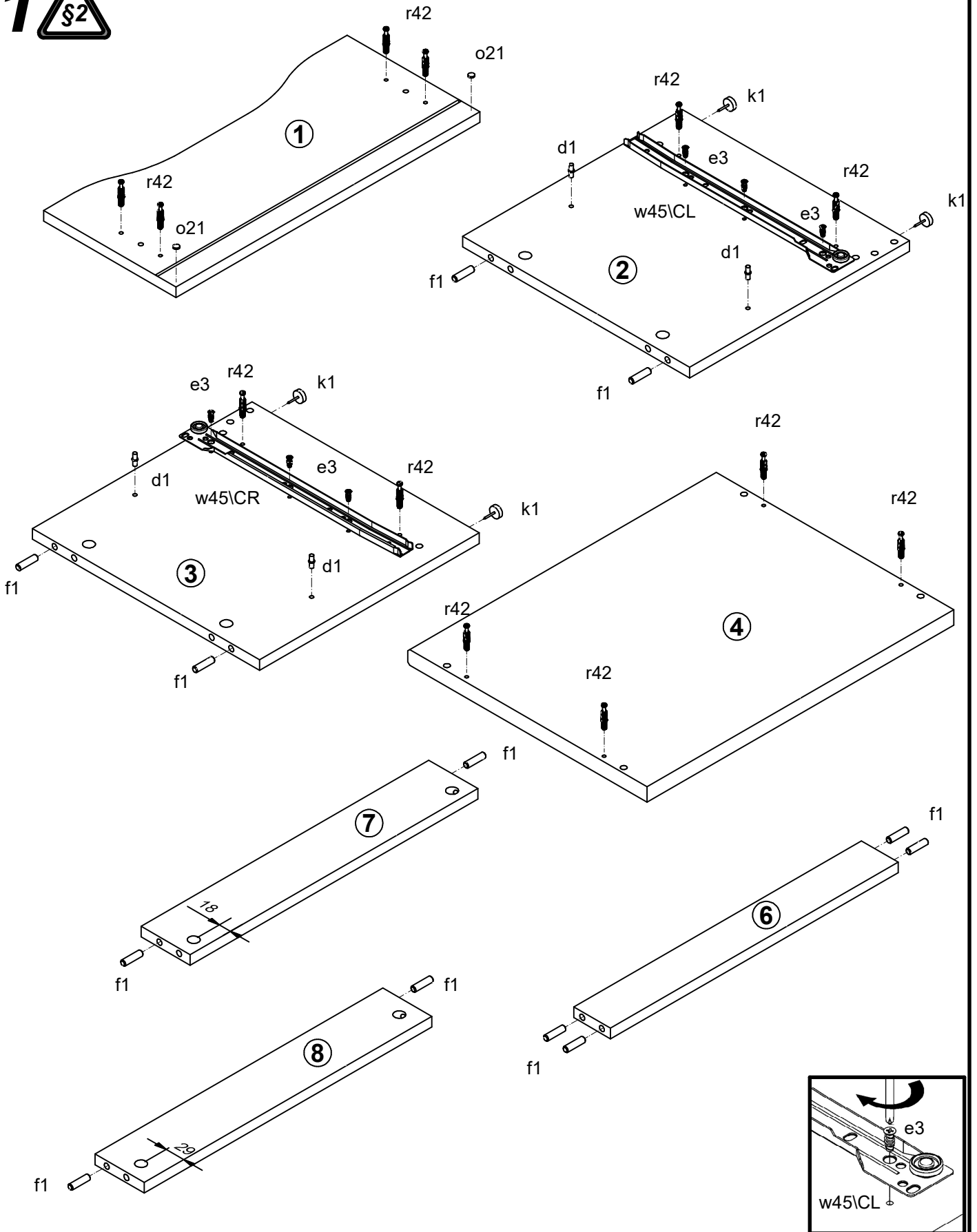


A	B	C	D	
1	S396-0021	495	216	1/1
2	S396-1029	358	370	1/1
3	S396-1030	358	370	1/1
4	S396-2002	500	390	1/1
5	S396-3003	468	369	1/1
6	S396-4003	469	60	1/1
7	S396-4008	469	80	1/1
8	S396-4009	469	80	1/1
9	S396-9008	442	355	1/1
10	S396-9009	495	314	1/1
11	ZS3-5722	420	100	1/1
12	ZS4-515	350	100	1/1
13	ZS4-516	350	100	1/1

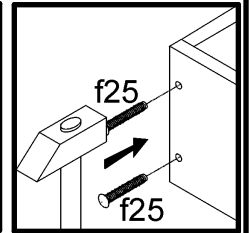
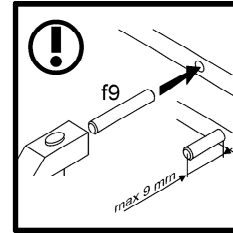
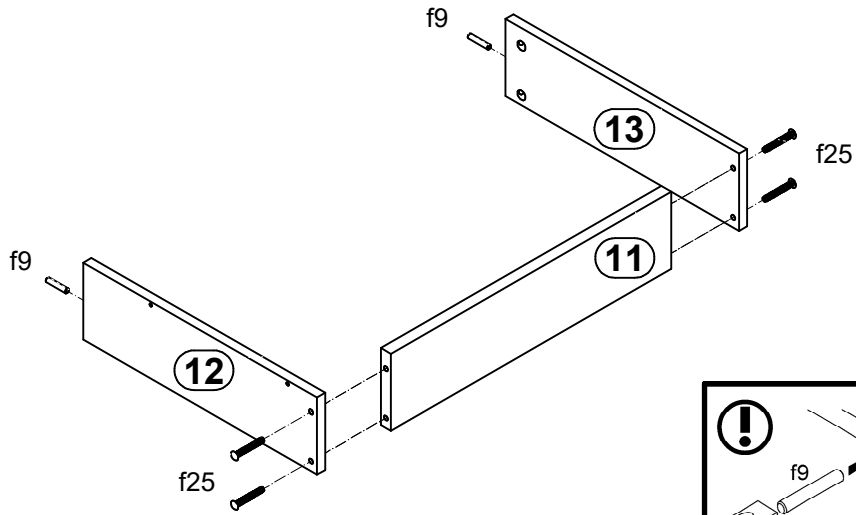


4x Ø5x17 mm d1	4x Ø5x9 mm e19	6x Ø6x13 mm e3	12x Ø8x30 mm f1	4x Ø6.5x40 mm f25	2x Ø6x30 mm f9	4x k1	20x 1.4x20 mm l1	2x silikon o21
4x Ø3.5x16 mm p38	8x Ø15x12 mm #16 r1	4x Ø12x10.5 mm #12 r15	12x 20/11 r42	1x 350 mm w45\CL	1x 350 mm w45\CR	1x 350 mm w45\DL	1x 350 mm w45\DR	4x Ø16 s2
1x n26								

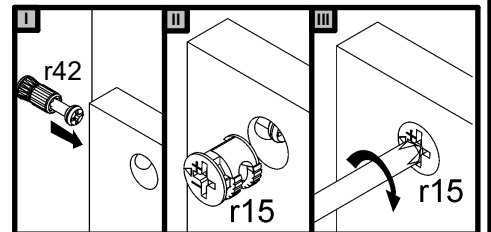
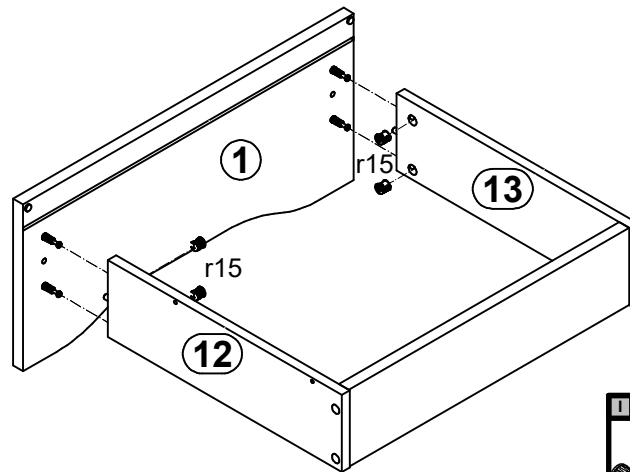
1 



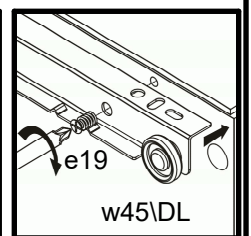
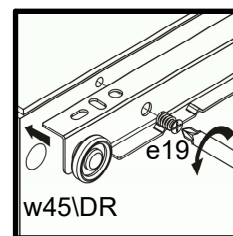
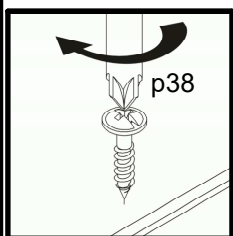
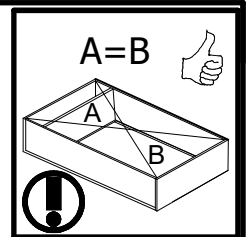
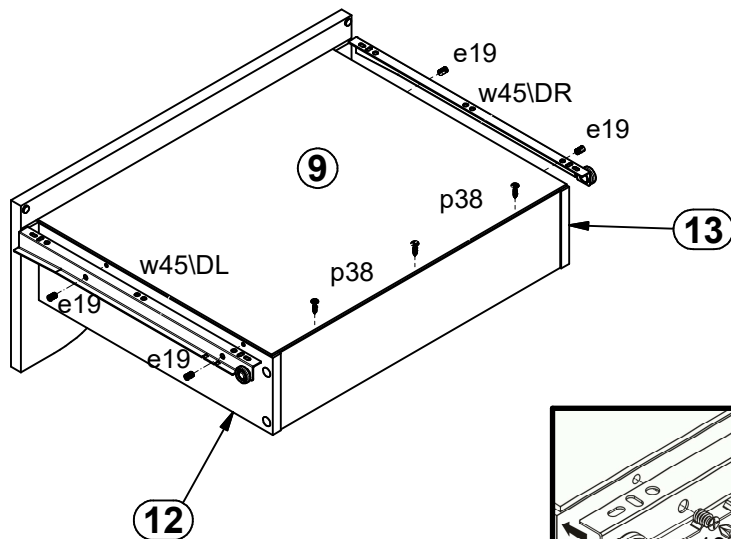
# 2



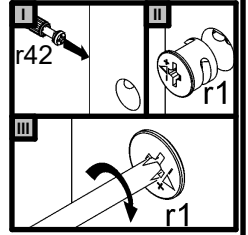
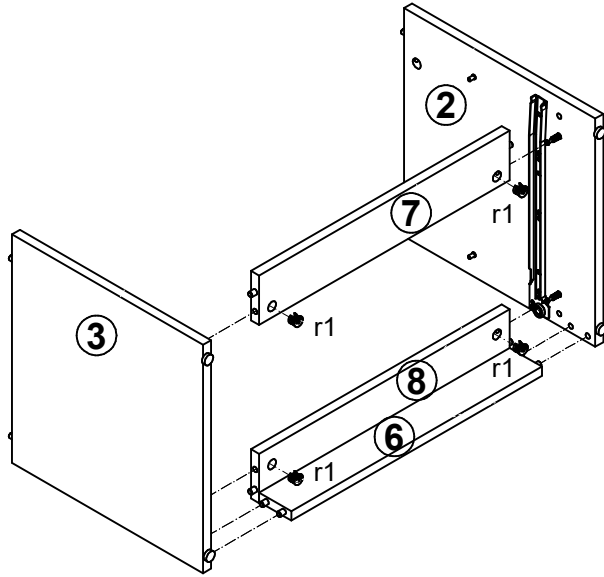
# 3



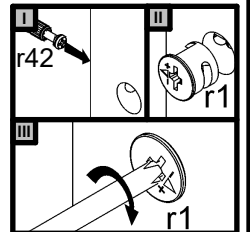
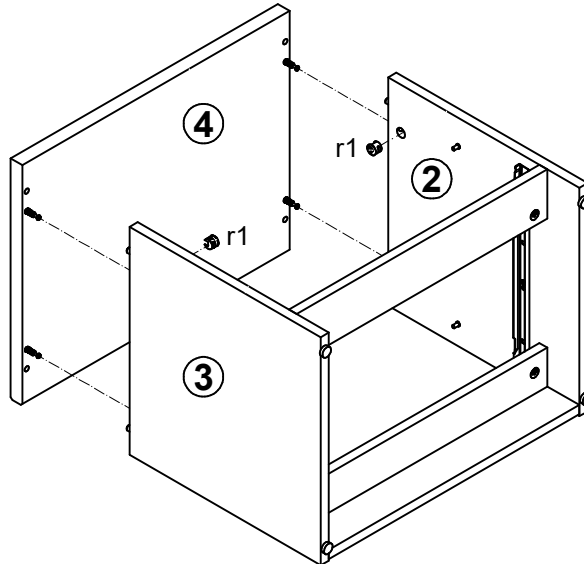
# 4



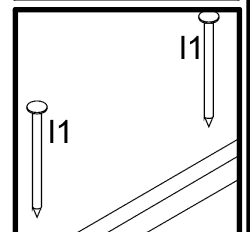
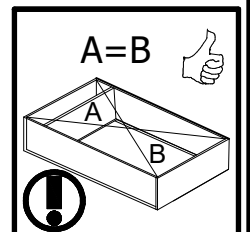
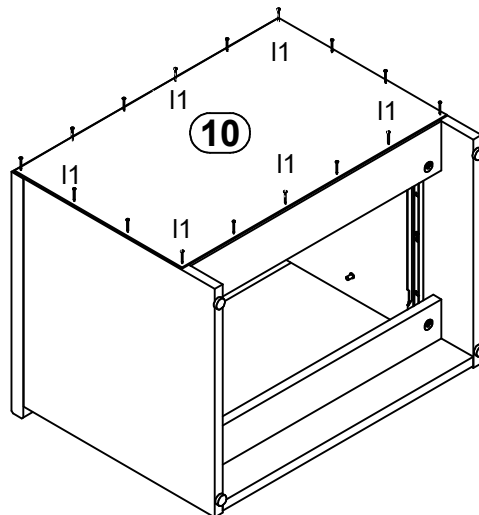
5 



6 



7 



# 8

