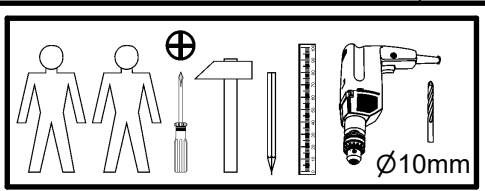
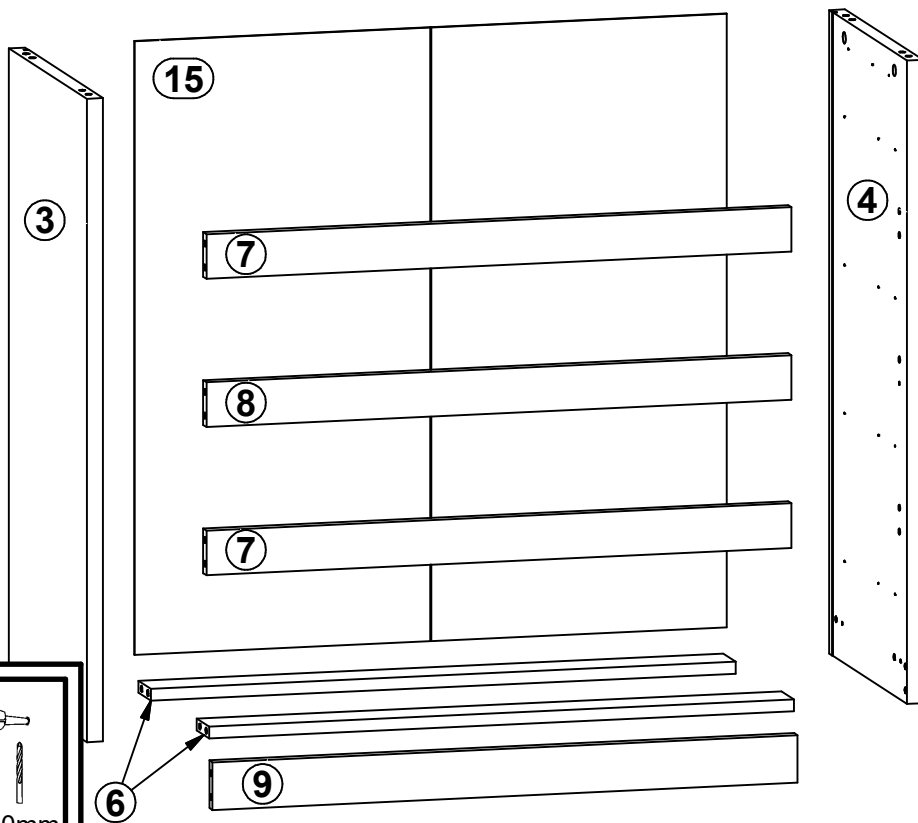
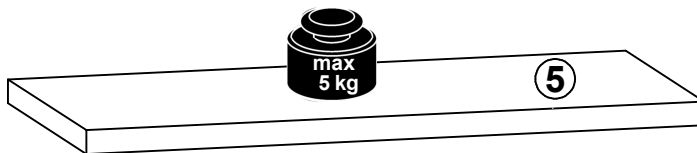
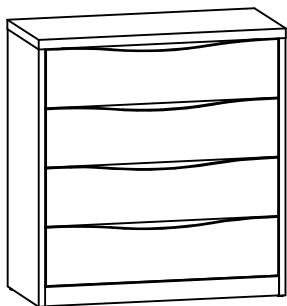
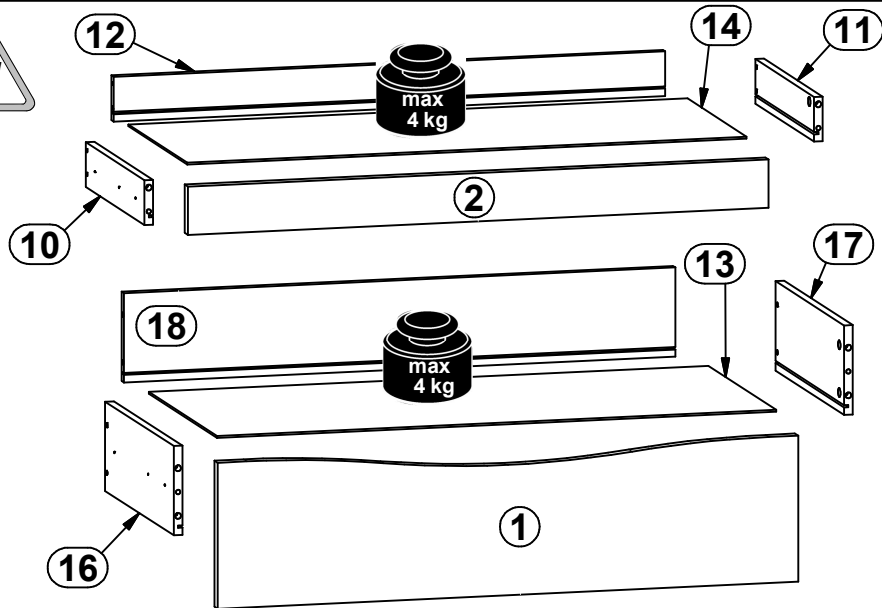


**A**

**PORI**

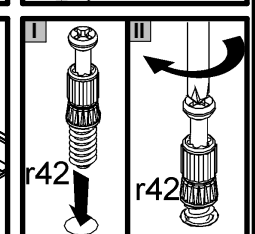
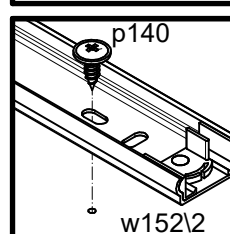
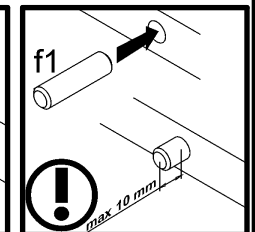
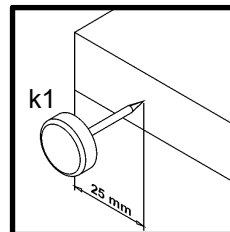
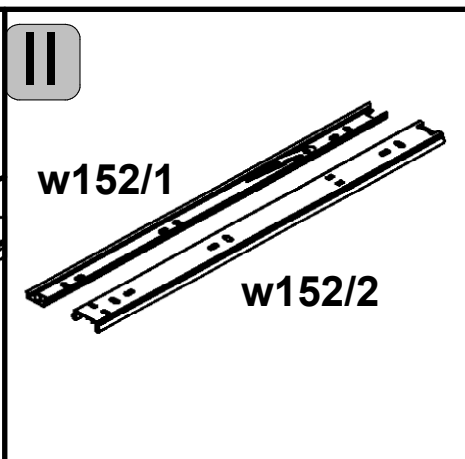
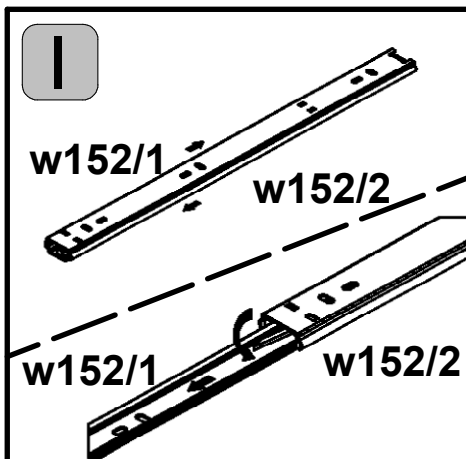
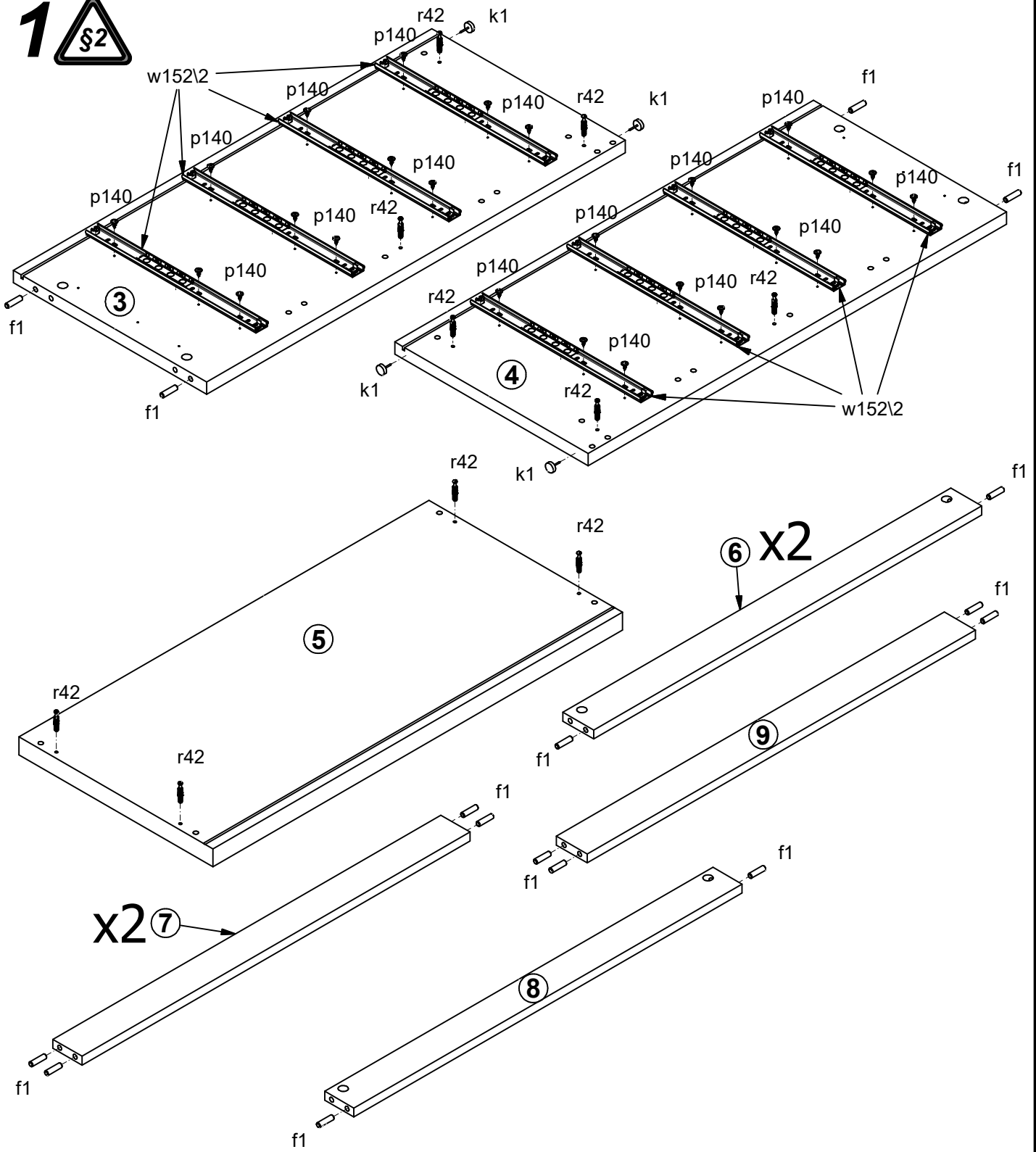
**L87-KOM4S1E**

A	B	C	D	
1	L87-0001	795	196	2/2
2	L87-0002	795	65	2/2
3	L87-1001	864	399	1/2
4	L87-1002	864	399	1/2
5	L87-2001	846	400	2/2
6	L87-4001	801	64	2/2
7	L87-4002	801	60	2/2
8	L87-4003	801	60	2/2
9	L87-4004	801	64	2/2
10	L87-5001	300	60	1/2
11	L87-5002	300	60	1/2
12	L87-5003	755	60	1/2
13	L87-9001	766	347	1/2
14	L87-9002	766	301	1/2
15	L87-9301	811	824	2/2
16	ZK2-503	350	120	1/2
17	ZK2-504	350	120	1/2
18	ZS4-5523	755	120	1/2

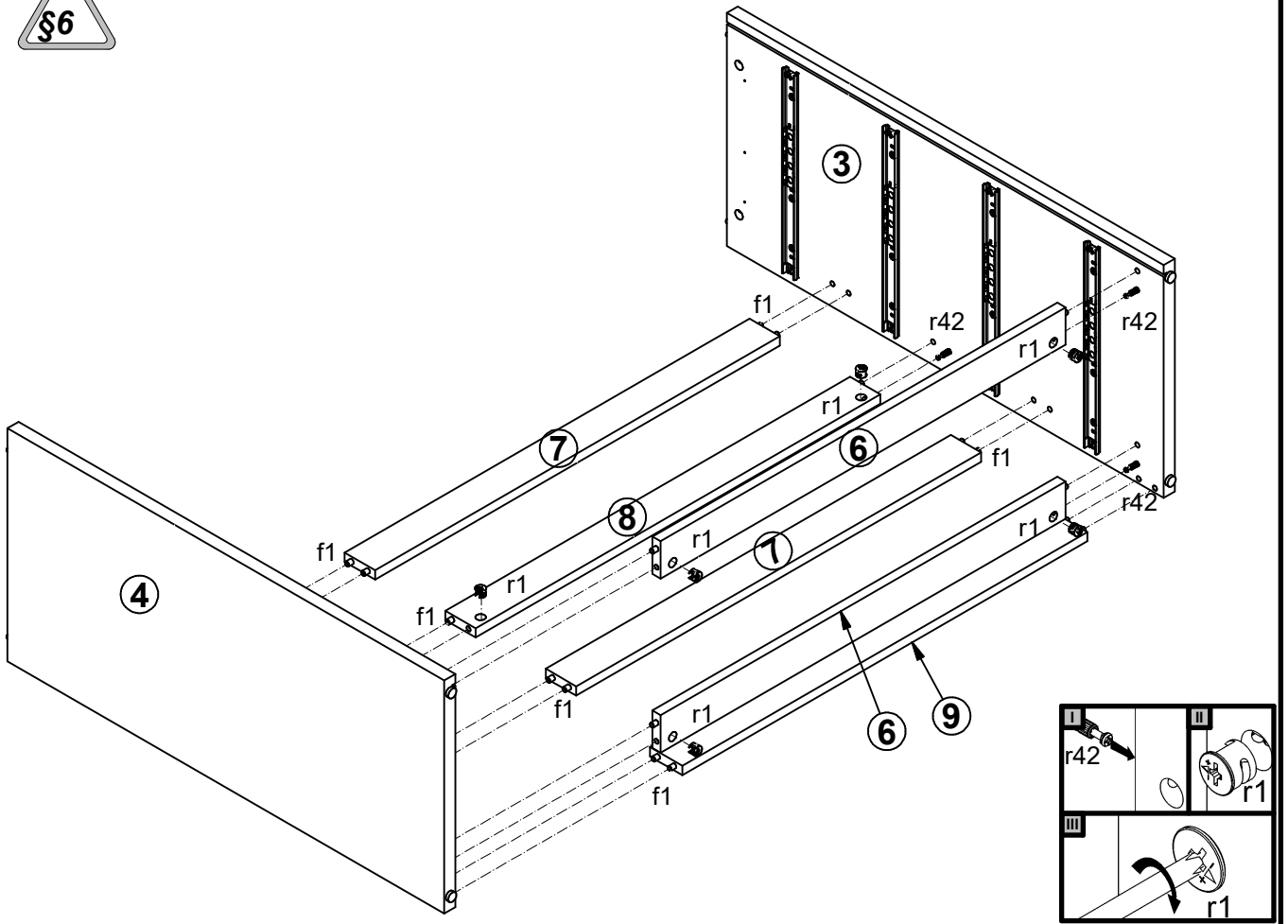


4x Ø5x50 mm e32	22x Ø8x30 mm f1	10x Ø6x30 mm f9	16x Ø6.5x40 mm f25	4x k1	10x 1.4x20 mm l1	9x l2	10x Ø3.5x16 mm p25	60x Ø3.5x12 mm p140
10x Ø15x12 mm #16 r1	18x Ø12x10.5 mm #12 r15	28x 20/11 r42	1x 283 mm t18	4x 333 mm t19	8x 350/580 mm w152/1	8x 350/580 mm w152/2	2x 300/495 mm w166/1	2x 300/495 mm w166/2
1x GLUE y1								
							1x n26/1	1x Ø3.5x16 mm p38

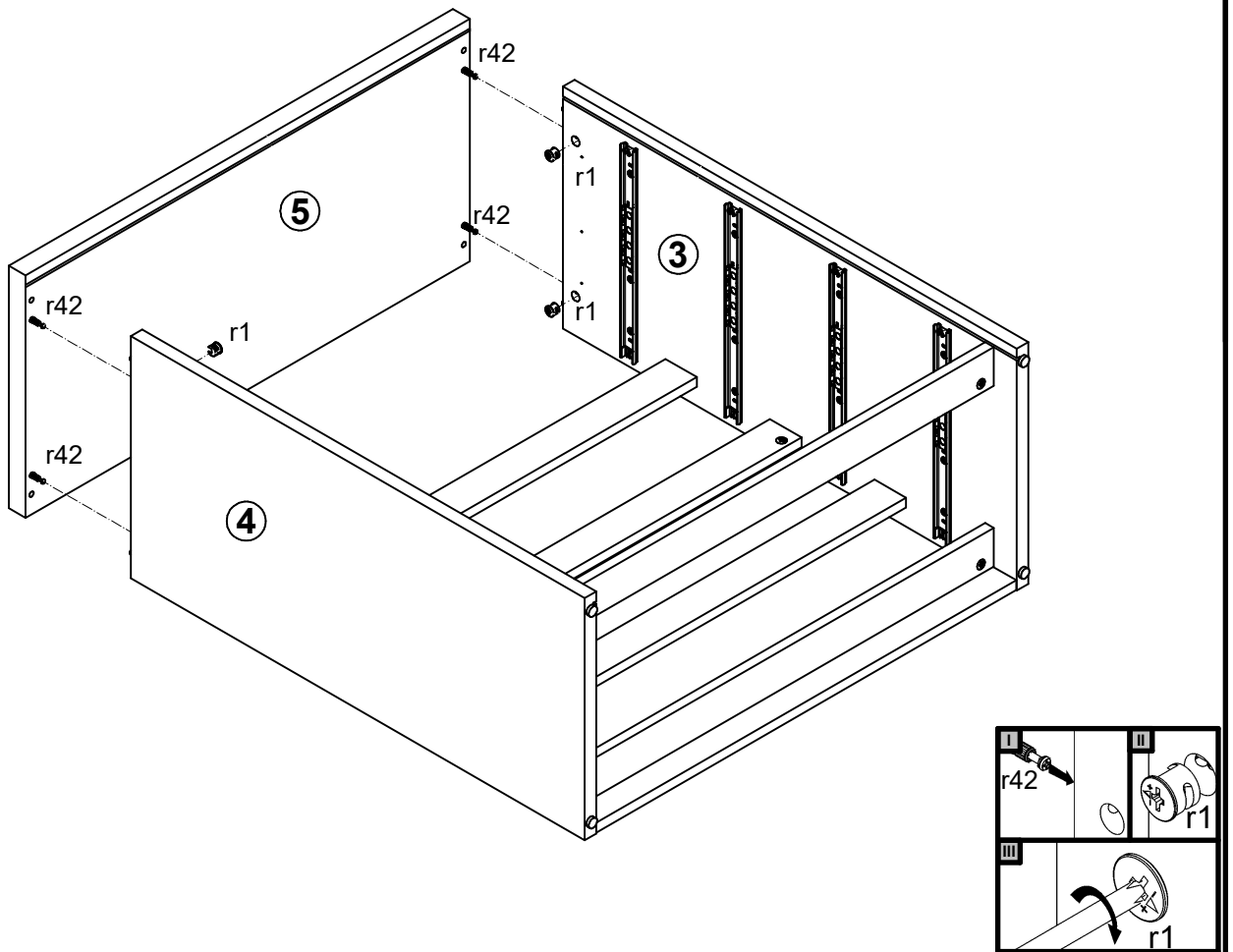
**1** 



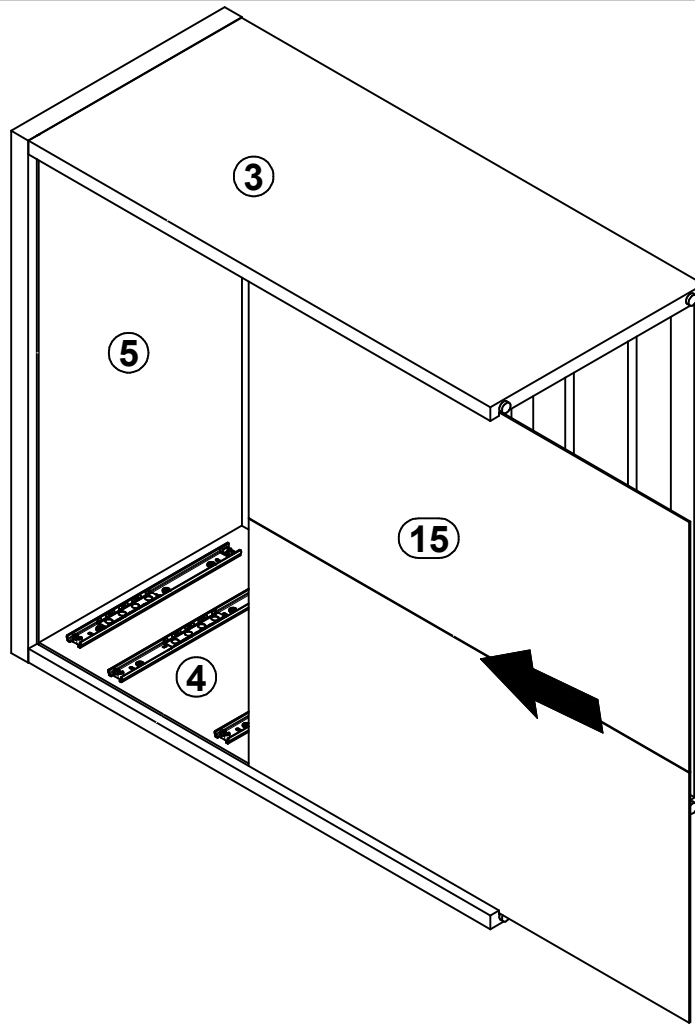
# 2



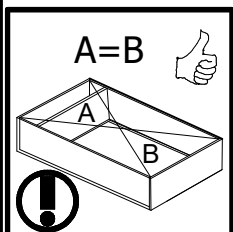
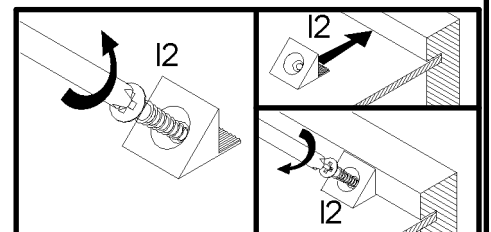
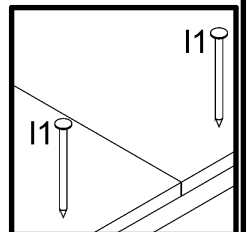
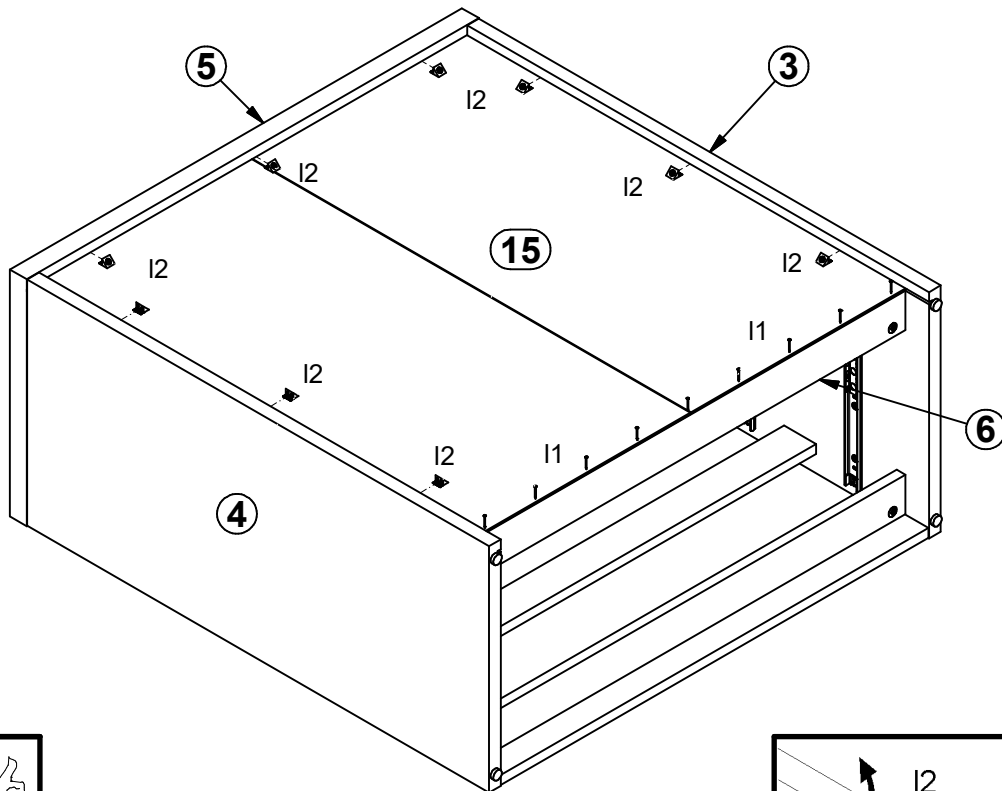
# 3



# 4

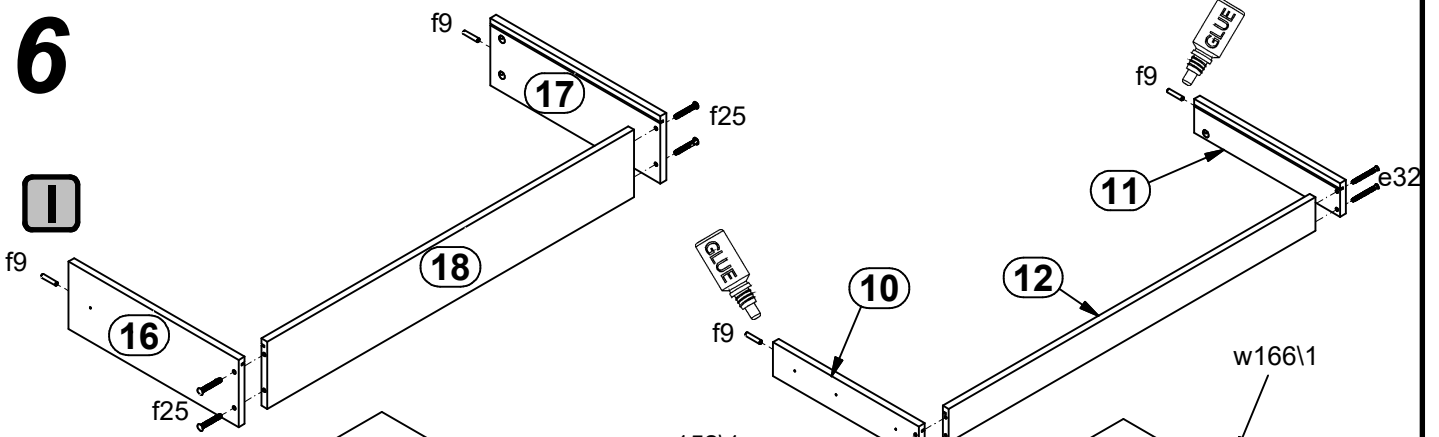


# 5

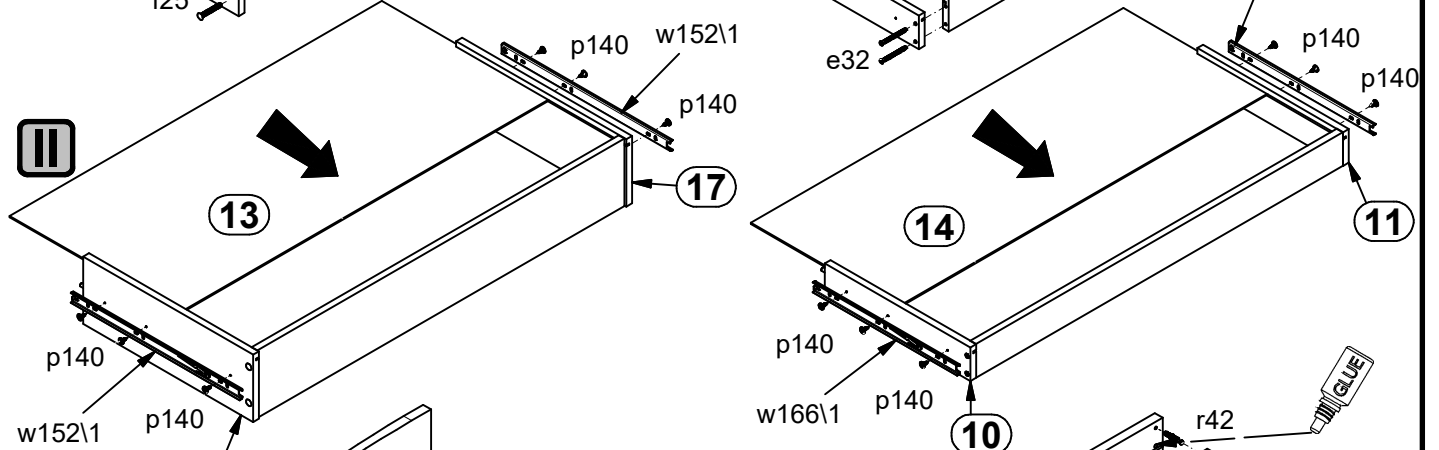


# 6

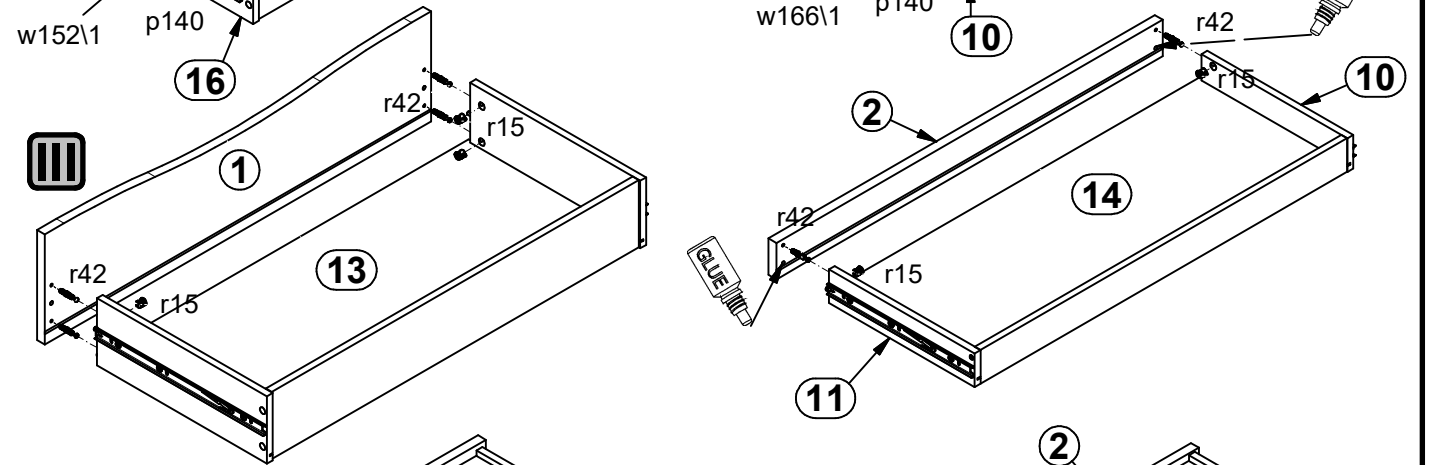
I



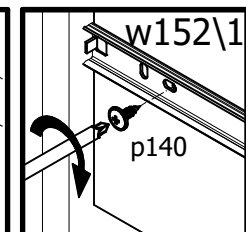
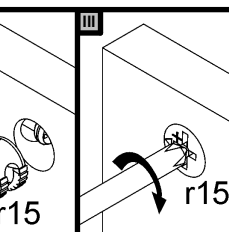
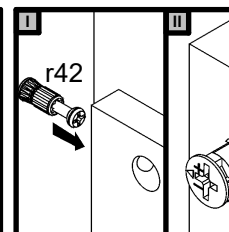
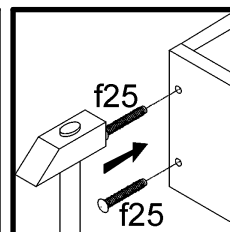
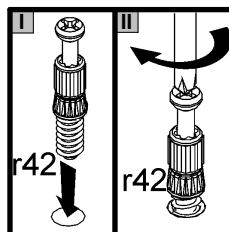
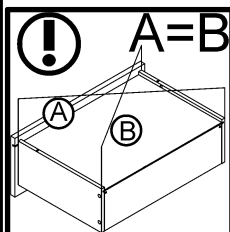
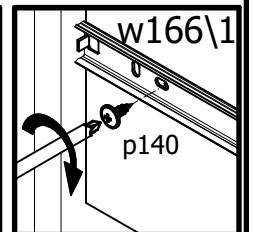
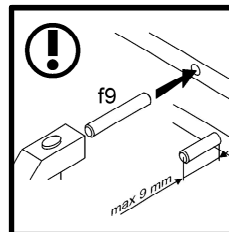
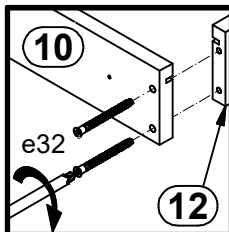
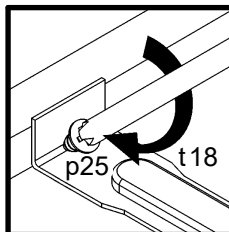
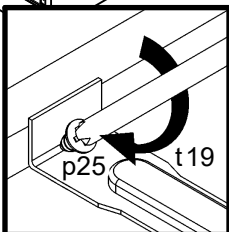
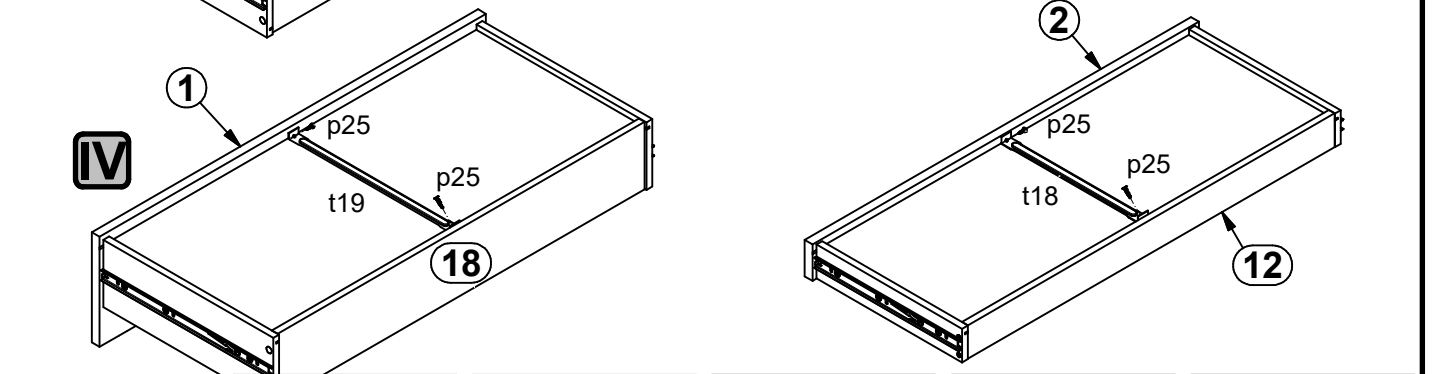
II



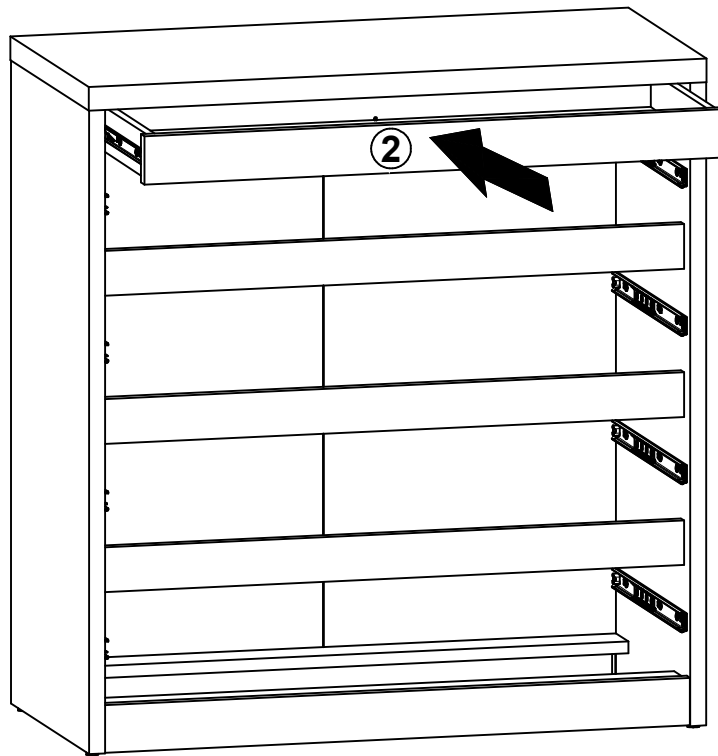
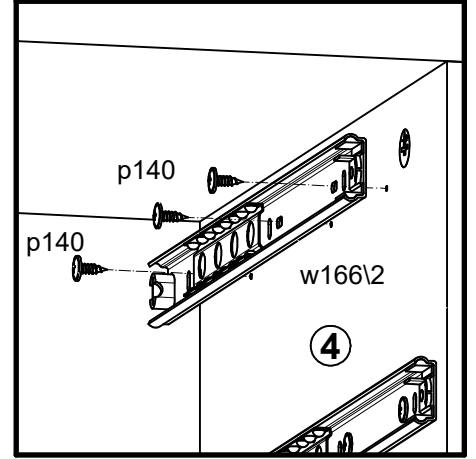
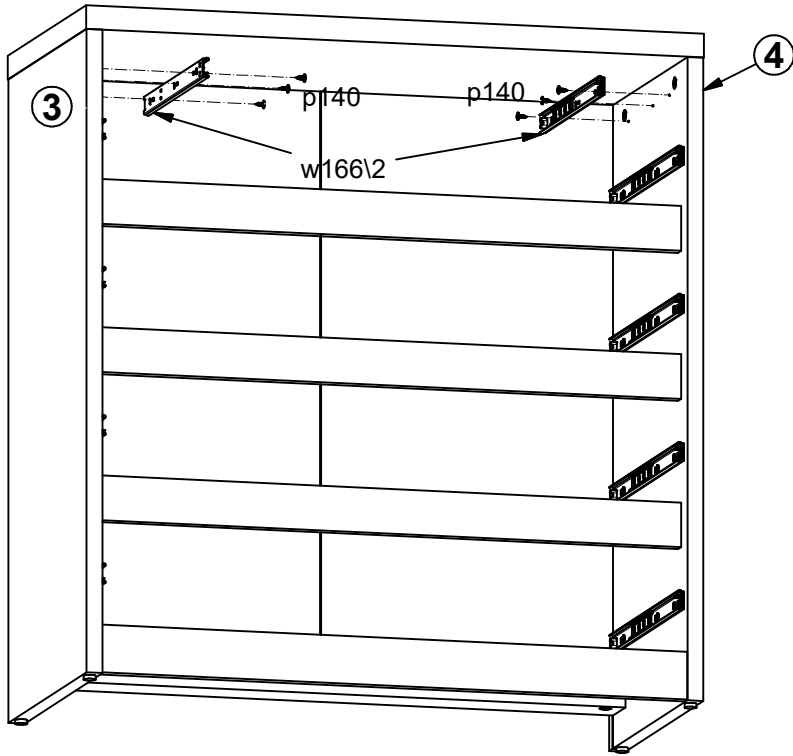
III



IV



# 7



8

