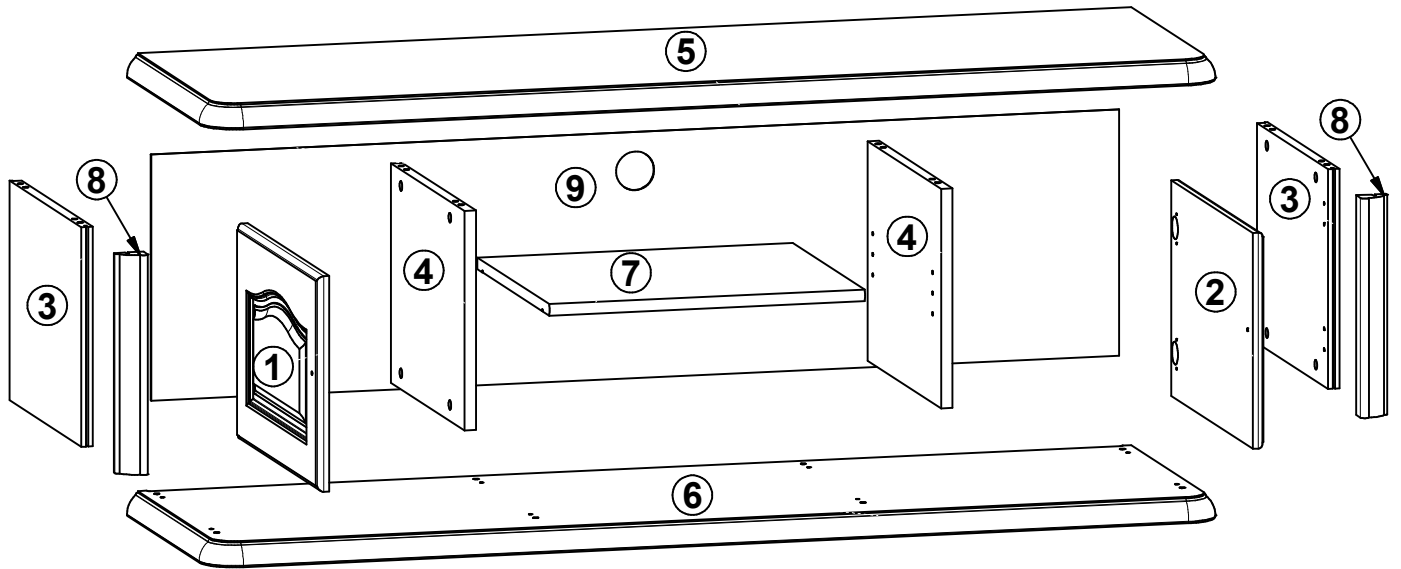
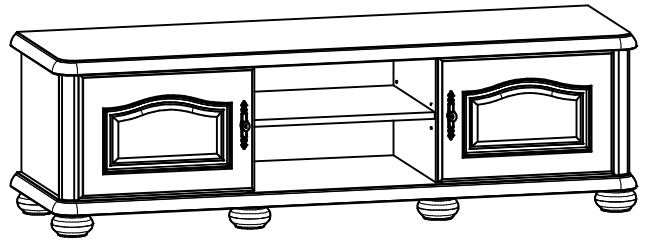


A

NATALIA

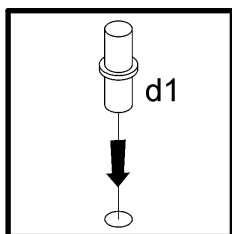
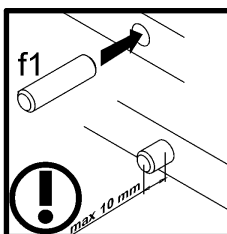
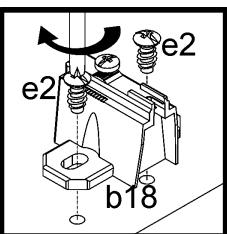
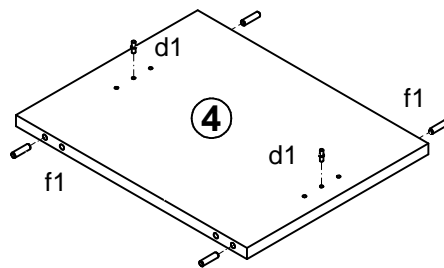
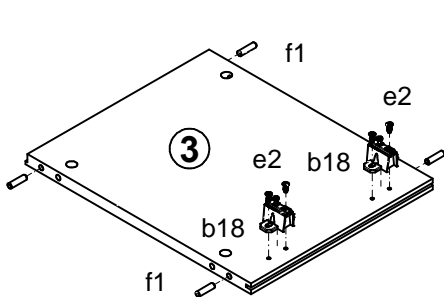
S41-rtv2d

A	B	C	D	
1	S41-047	334	480	5/5
2	S41-048	334	480	5/5
3	S41-159	340	423	1/5
4	S41-160	340	432	1/5
5	S41-252	1600	480	2/5
6	S41-253	1600	480	2/5
7	S41-328	497	425	1/5
8	S41-583	340	47	3/5
9	S41-930	1526	381	2/5

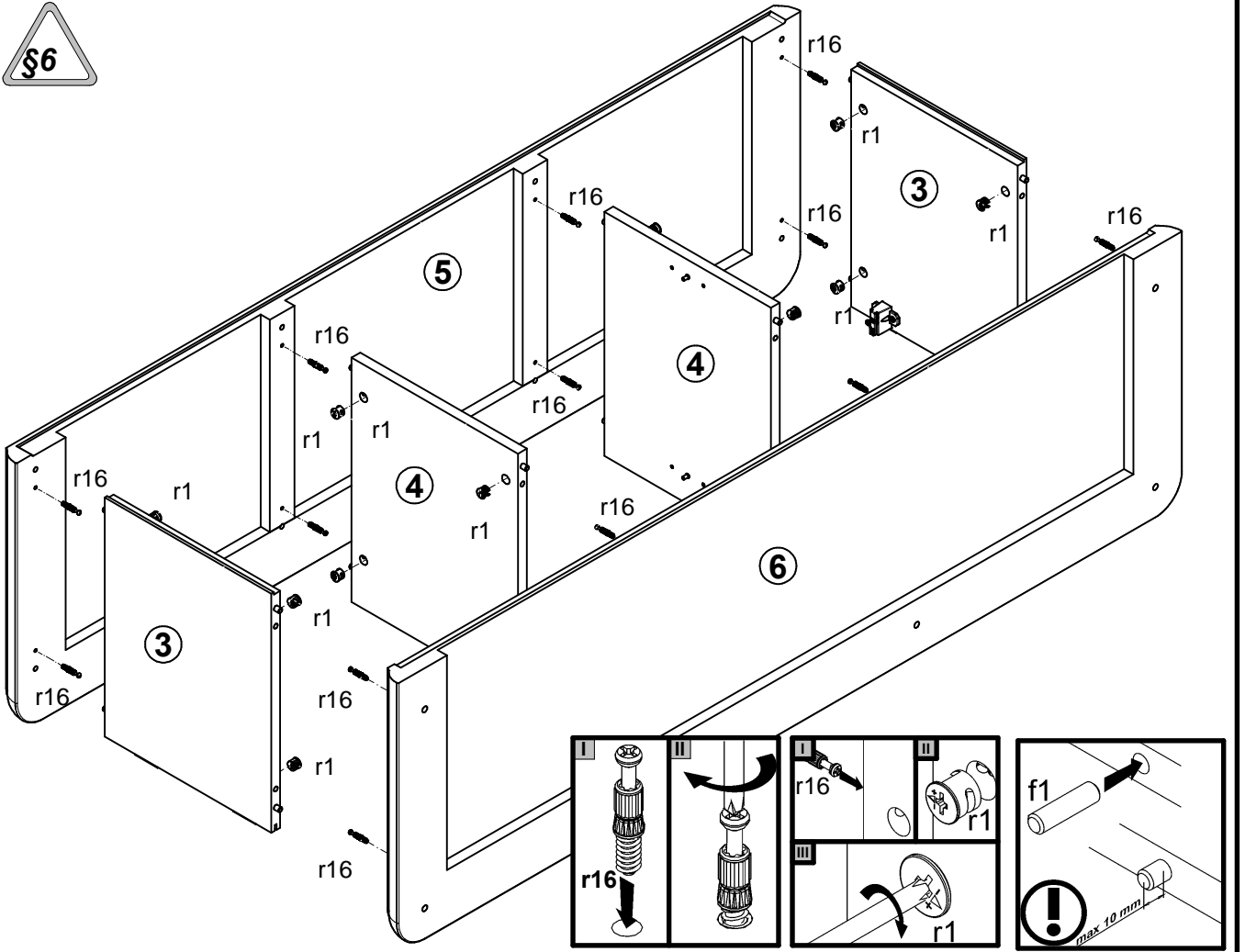


4x a43	4x b18	2x c69	4x d1 Ø5x17 mm	8x e2 Ø6.3x13 mm	16x f1 Ø8x30 mm	4x f11 46x18x4 mm	6x f27 Ø10x40 mm	2x j8 M4x25 mm
6x k47 Ø110x58/62 mm	45x l1	8x p51 Ø3.5x15 mm	16x r1 Ø15x12 mm #16	8x r16	1x y1 GLUE	16x s2 Ø16		

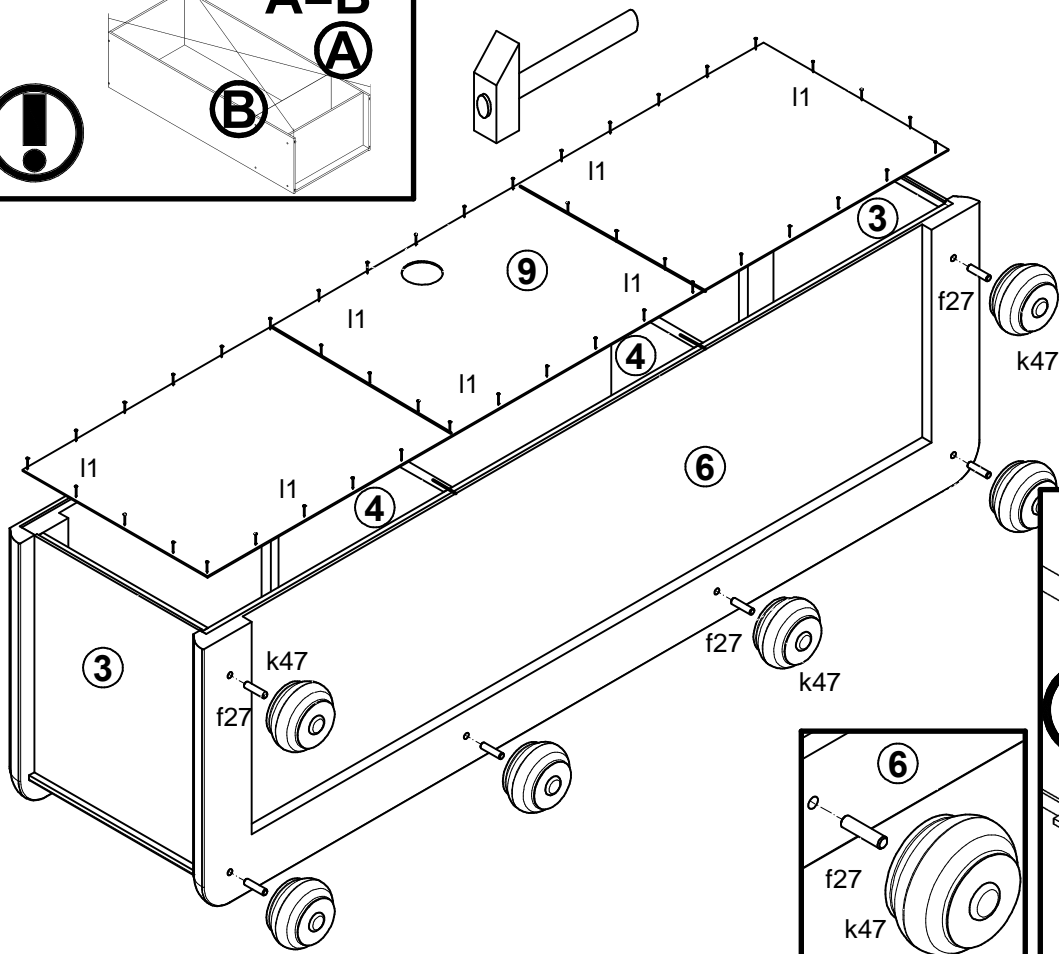
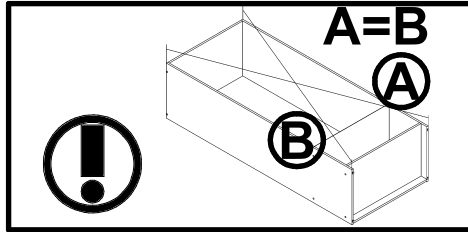
1



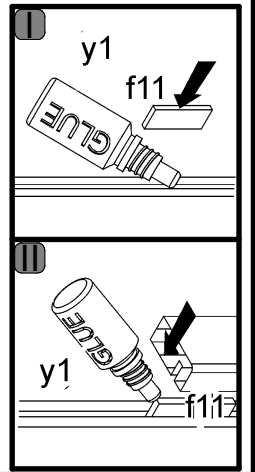
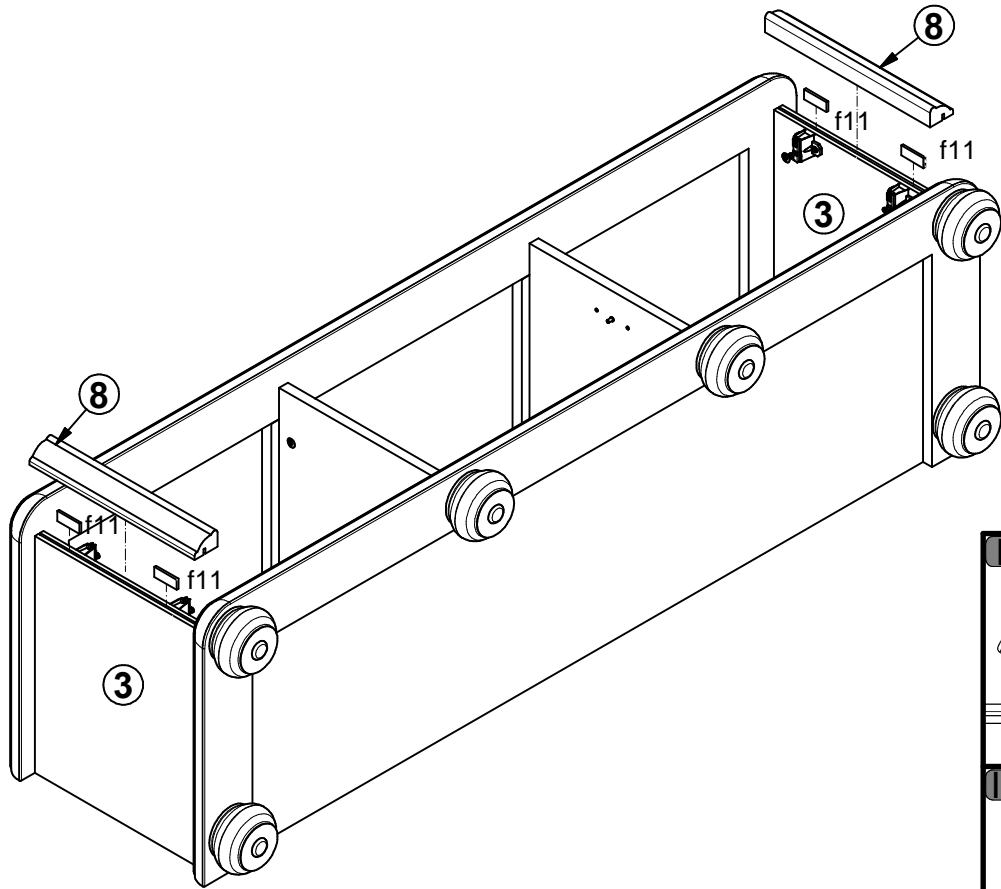
2 



3



3



4

