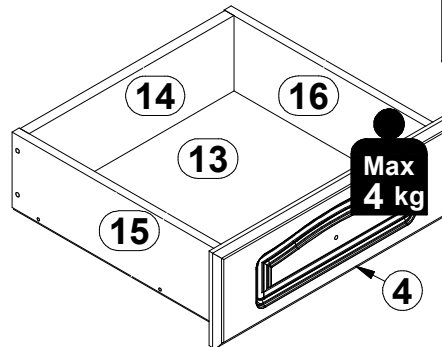
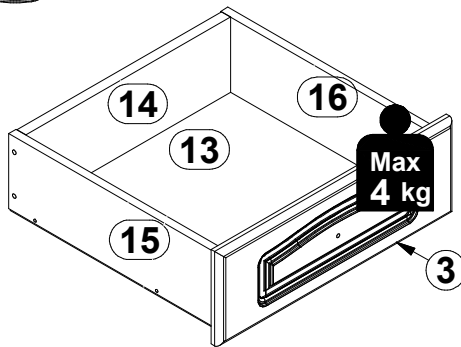
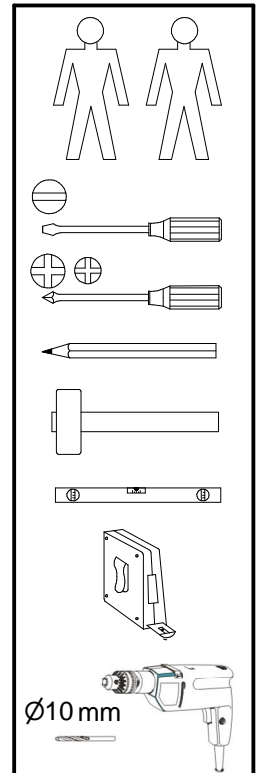
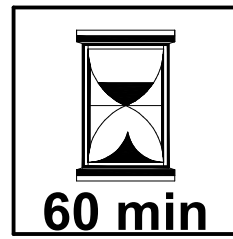
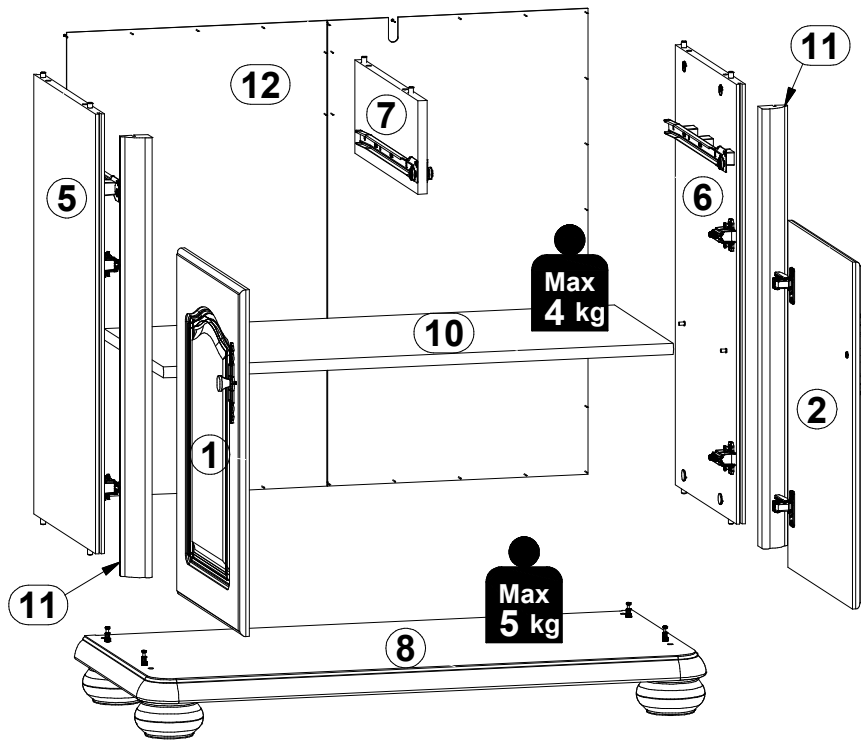


A	B	C1	C2	C3	D
1	S41-0002	560	396	16	3/5
2	S41-0003	560	396	16	3/5
3	S41-0004	138	396	16	3/5
4	S41-0005	138	396	16	3/5
5	S41-1003	710	379,	15	1/5
6	S41-1004	710	379,	15	1/5
7	S41-1005	151	388	15	1/5
8	S41-2002	935	436	38	2/5
9	S41-2003	935	436	38	2/5
10	S41-3001	839	364,	18	1/5
11	S41-5002	710	47	32	4/5
12	S41-9302	752,	857,	2,5	1/5
13	WSP-9302	367	358	2,5	1/5
14	ZS7-5044	345	110	15	1/5
15	ZS7-521	350	110	12	1/5
16	ZS7-522	350	110	12	1/5



4x a172	4x b85	4x c69	4x d1	6x e16	8x e19	4x f9	3x e3	10x f1
6x f11	8x f25	4x f27	4x j8	4x k47	40x l1	3x p1	8x p51	10x r1
8x r15	18x r42	4x s2	6x w36	2x w45 ^{CL}	2x w45 ^{CR}	2x w45 ^{DL}	2x w45 ^{DR}	1x y1/1
1x z1				1x p17	1x n14/2	1x f35	2x p38	

