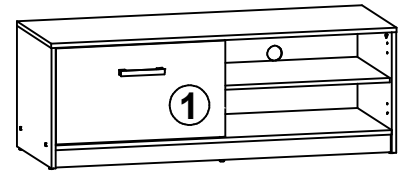
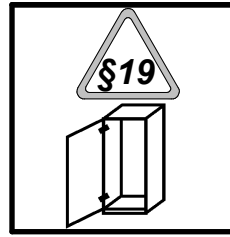


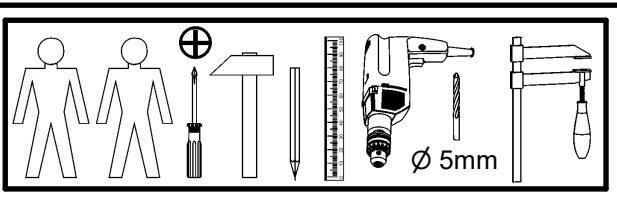
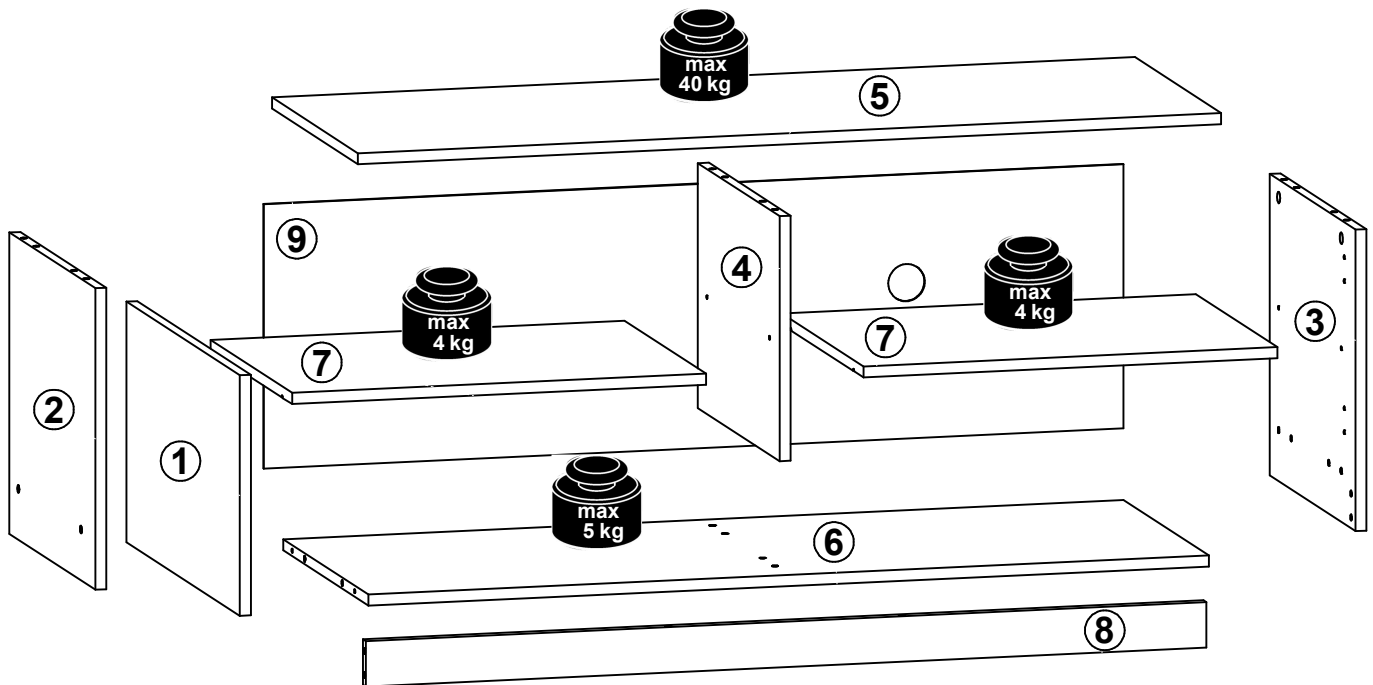
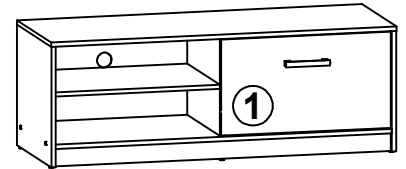
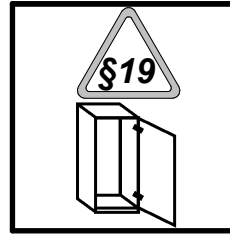
A	B	C	D	
1	S414-0007	323	580	1/1
2	S414-1011	405	439	1/1
3	S414-1012	405	439	1/1
4	S414-1013	329	418	1/1
5	S414-2005	1182	440	1/1
6	S414-3008	1151	436	1/1
7	S414-3009	567	417	1/1
8	S414-4009	1151	61	1/1
9	S414-9007	1177	355	1/1



A

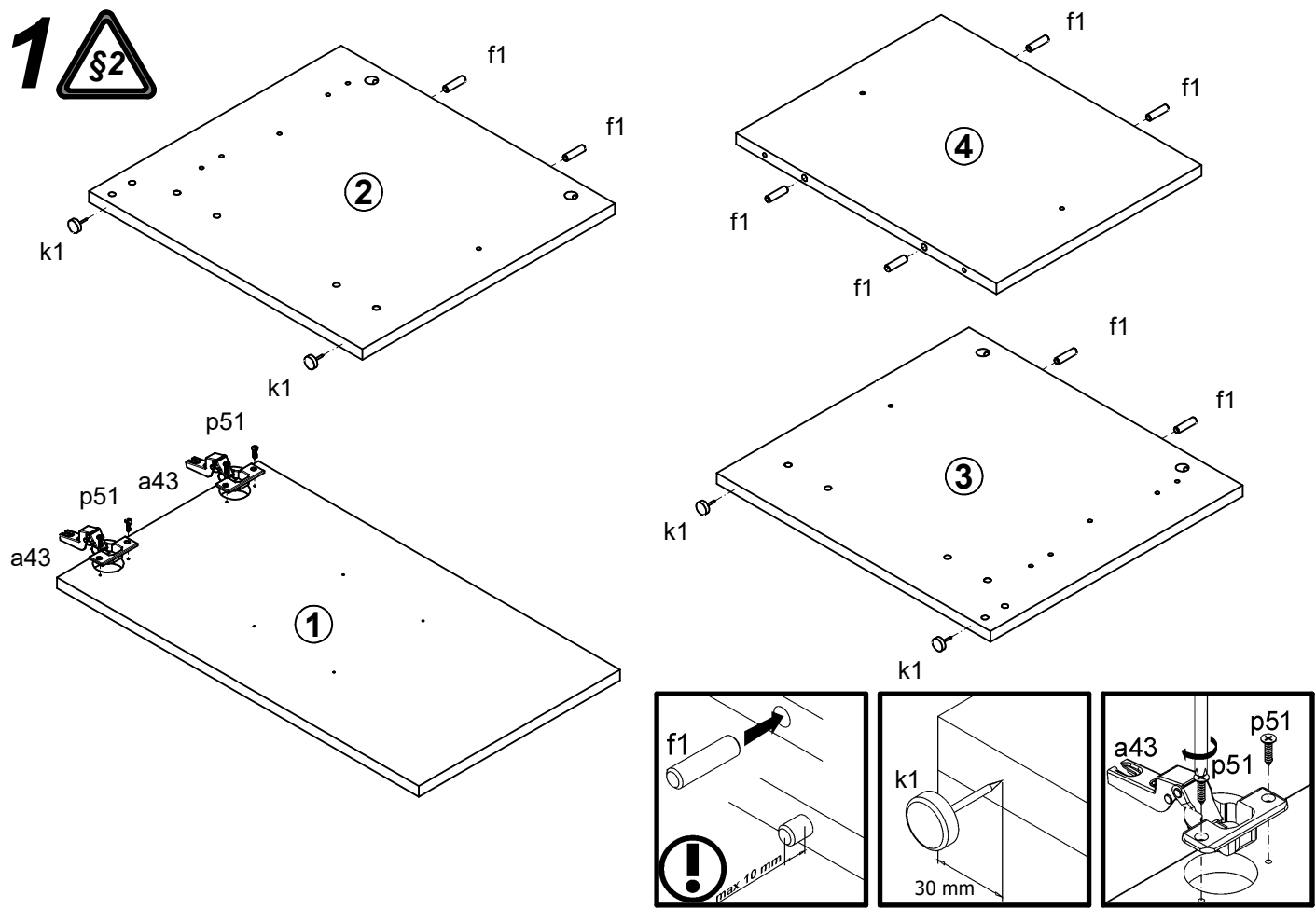


B

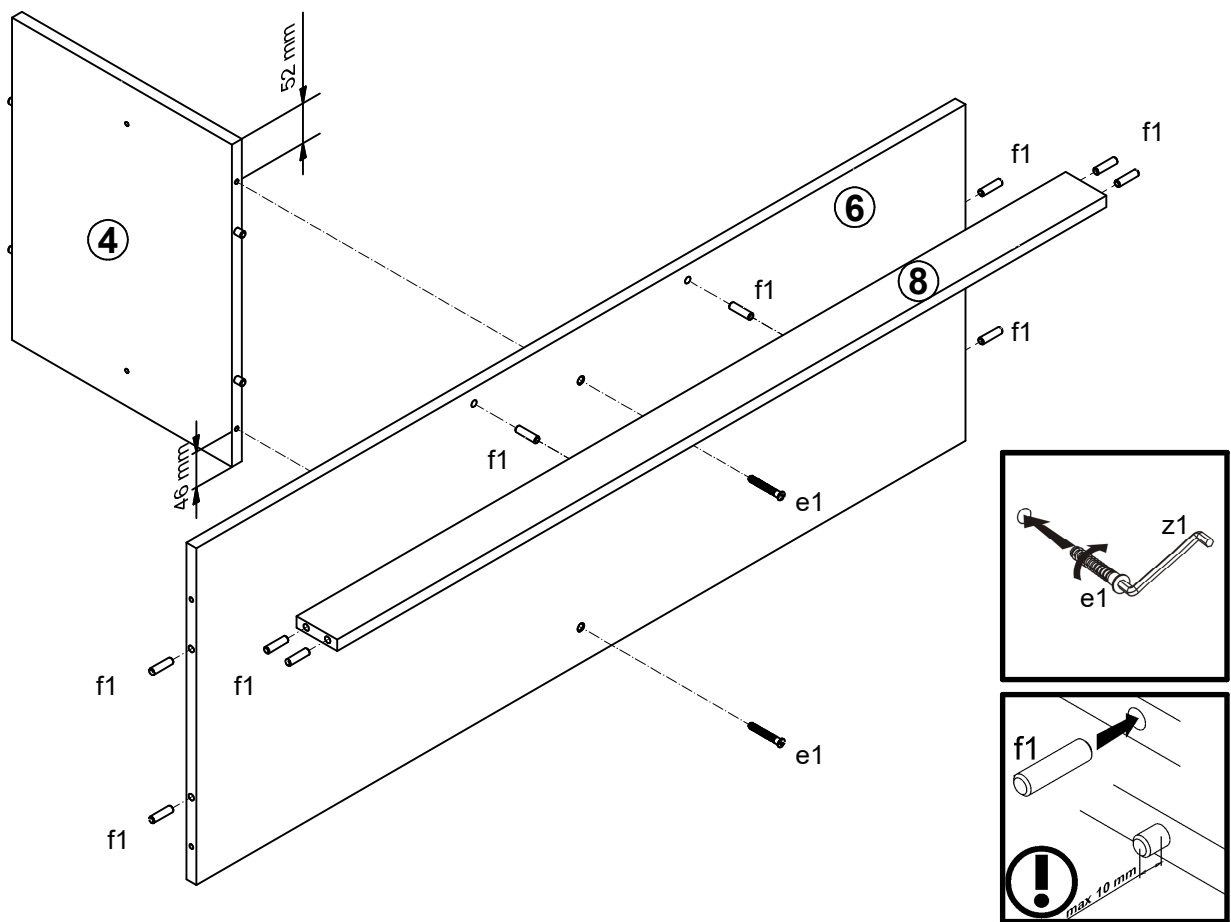


2x K16 a43	2x b19	1x 128 mm c197	8x Ø5x17 mm d1	6x Ø7x50 mm e1	18x Ø8x30 mm f1	5x k1	40x 1.4x20 mm l1	4x Ø3.5x15 mm p51
2x Ø4x25 mm p87	6x Ø15x12 mm #16 r1	6x 20/11 r42	4x s1	6x Ø16 s2	1x 4 mm z1			
						1x n26/l1	1x Ø3.5x16 mm p38	

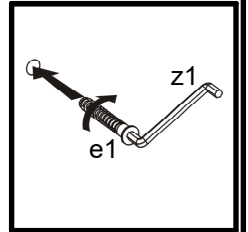
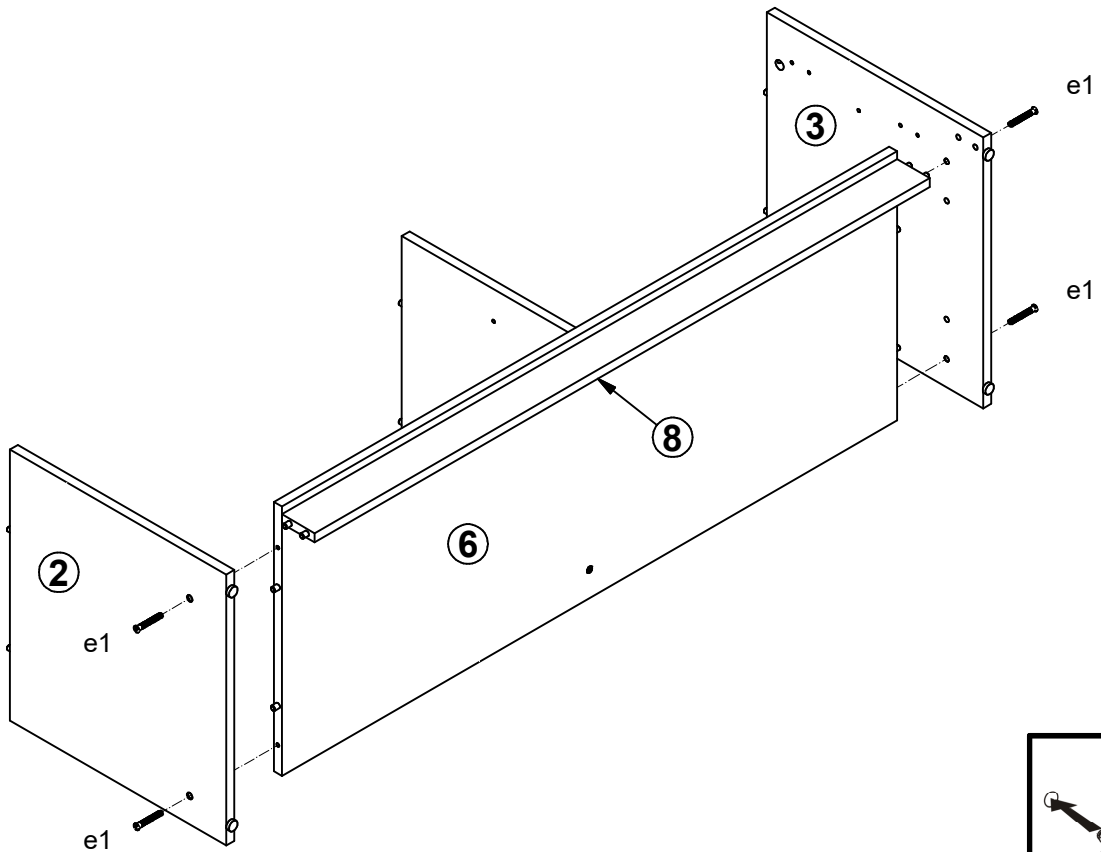
1



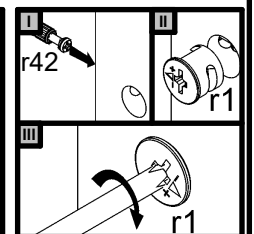
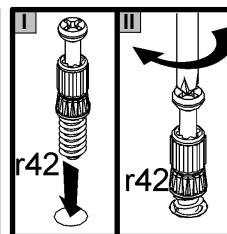
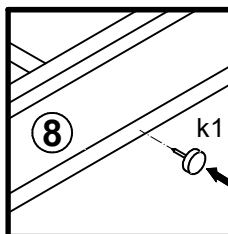
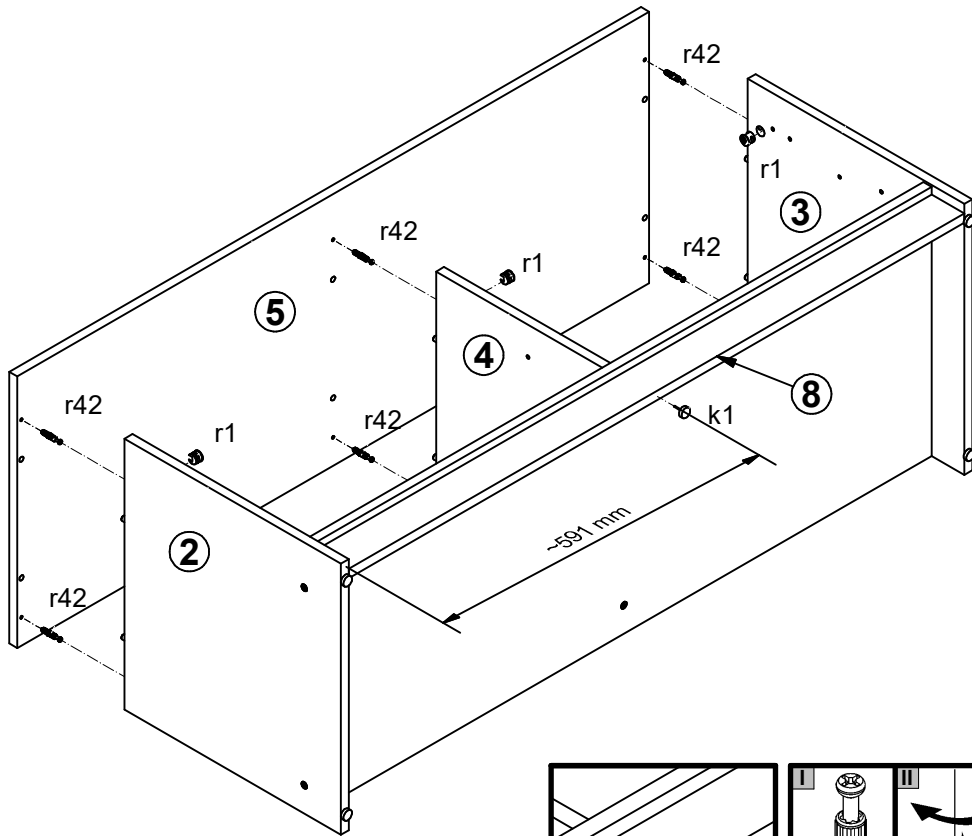
2



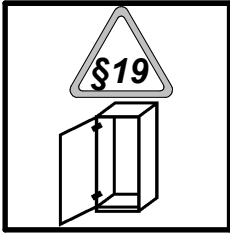
3



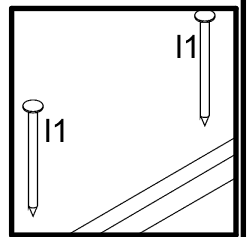
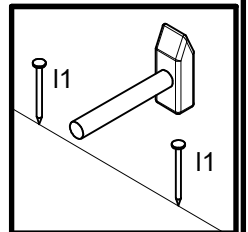
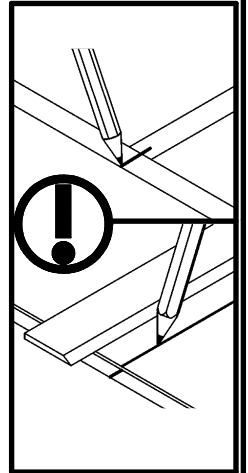
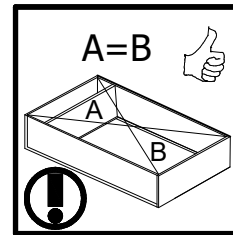
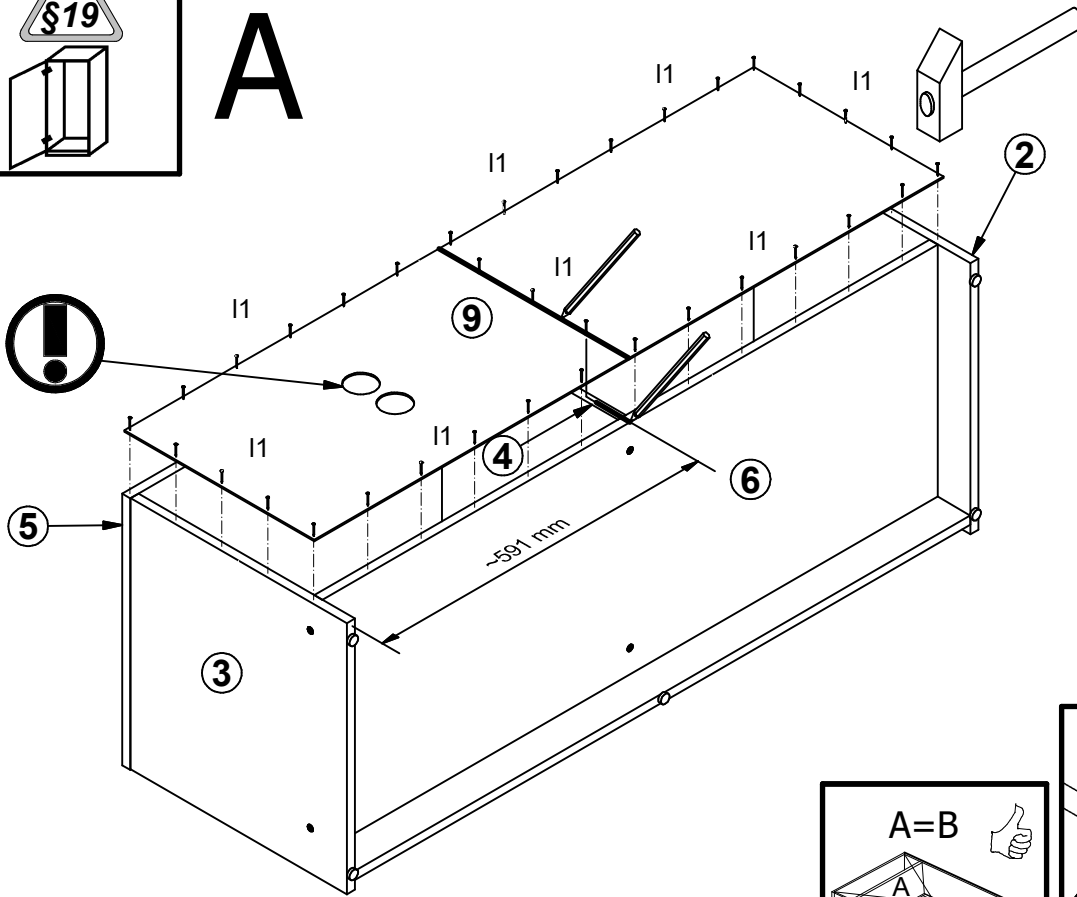
4



5

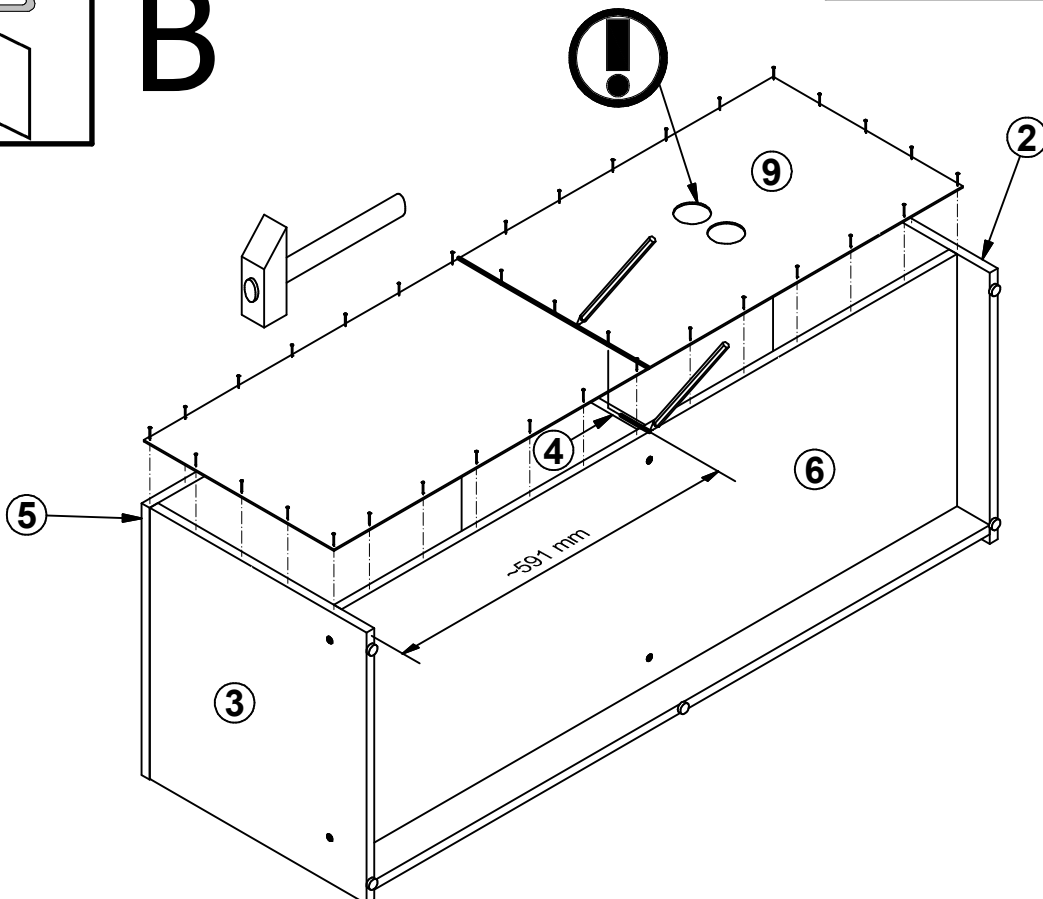


A

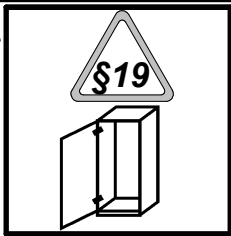


§19

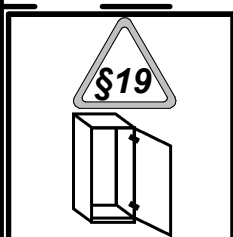
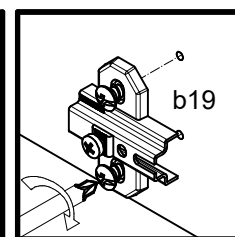
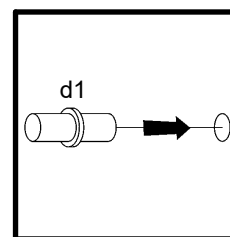
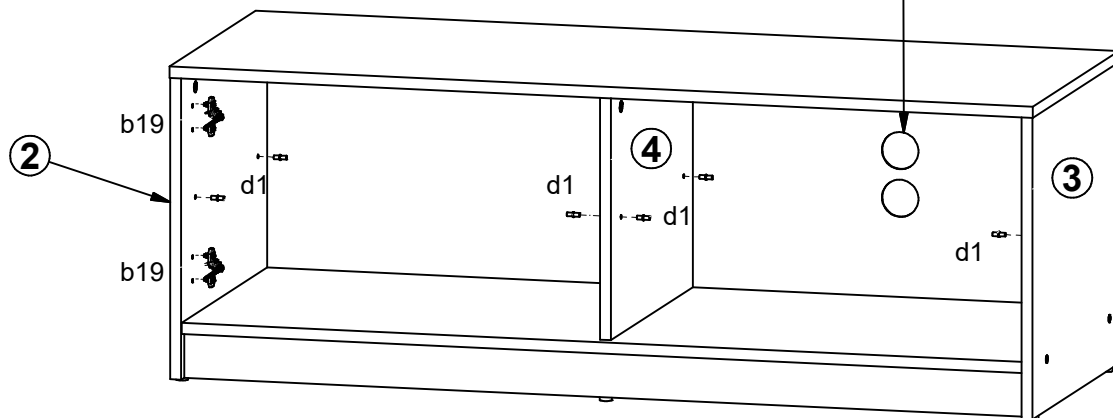
B



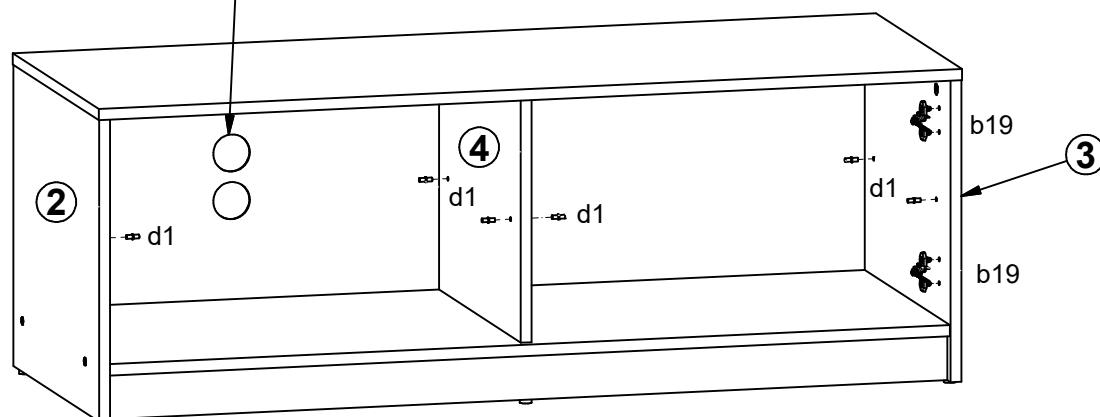
6



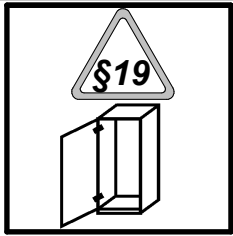
A



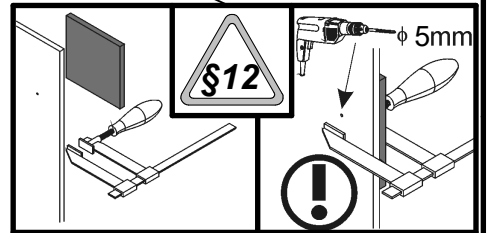
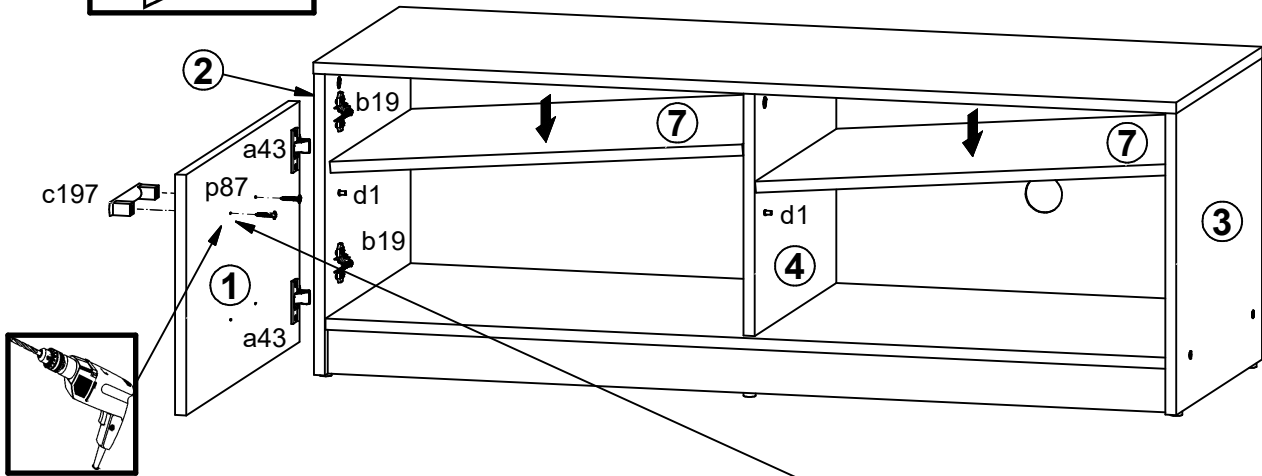
B



7



A



§19

B

