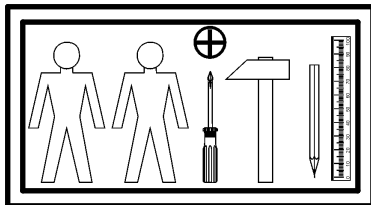
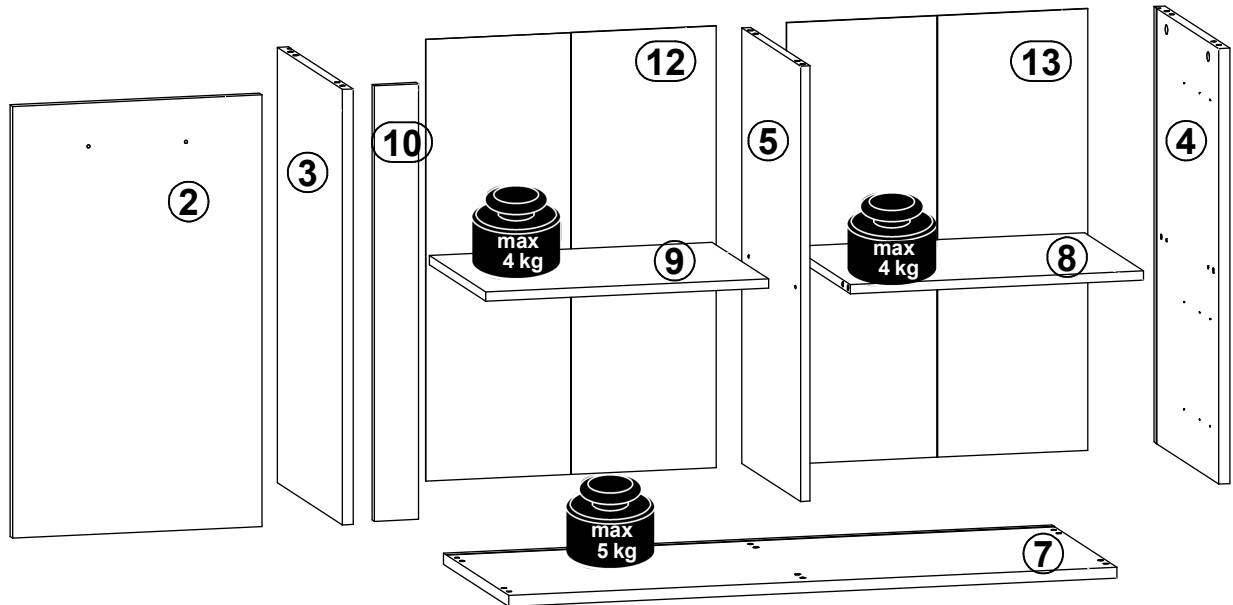
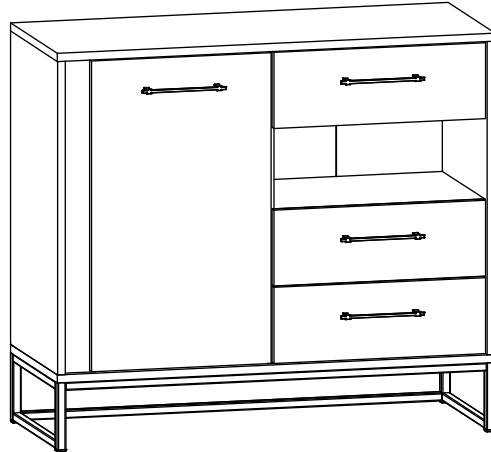
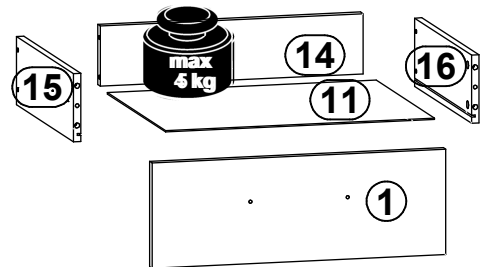


A	B	C	D	
1	S473-0006	483	170	1/3
2	S473-0007	696	410	1/3
3	S473-1011	702	399	2/3
4	S473-1012	702	399	2/3
5	S473-1013	702	362	2/3
6	S473-2005	1000	400	2/3
7	S473-2006	1000	400	2/3
8	S473-3003	482	361	2/3
9	S473-3004	465	346	2/3
10	S473-5004	702	72	1/3
11	S473-9004	442	357	2/3
12	S473-9303	712	477	1/3
13	S473-9304	712	495	1/3
14	ZK3-5142	432	97	1/3
15	ZK4-523	350	110	2/3
16	ZK4-524	350	110	2/3



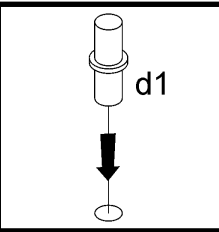
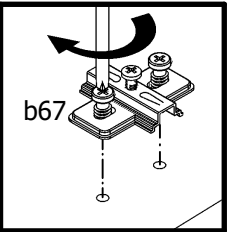
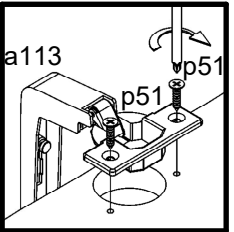
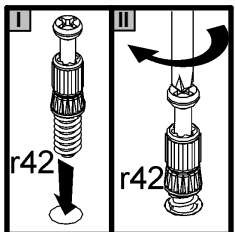
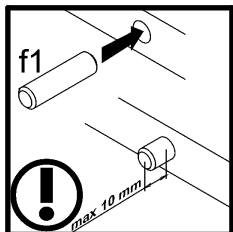
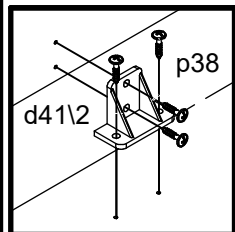
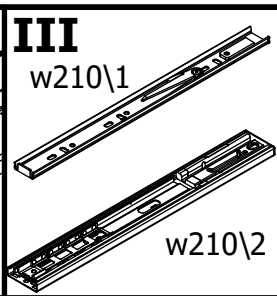
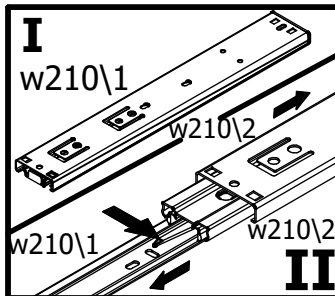
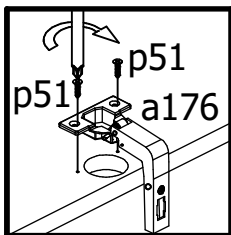
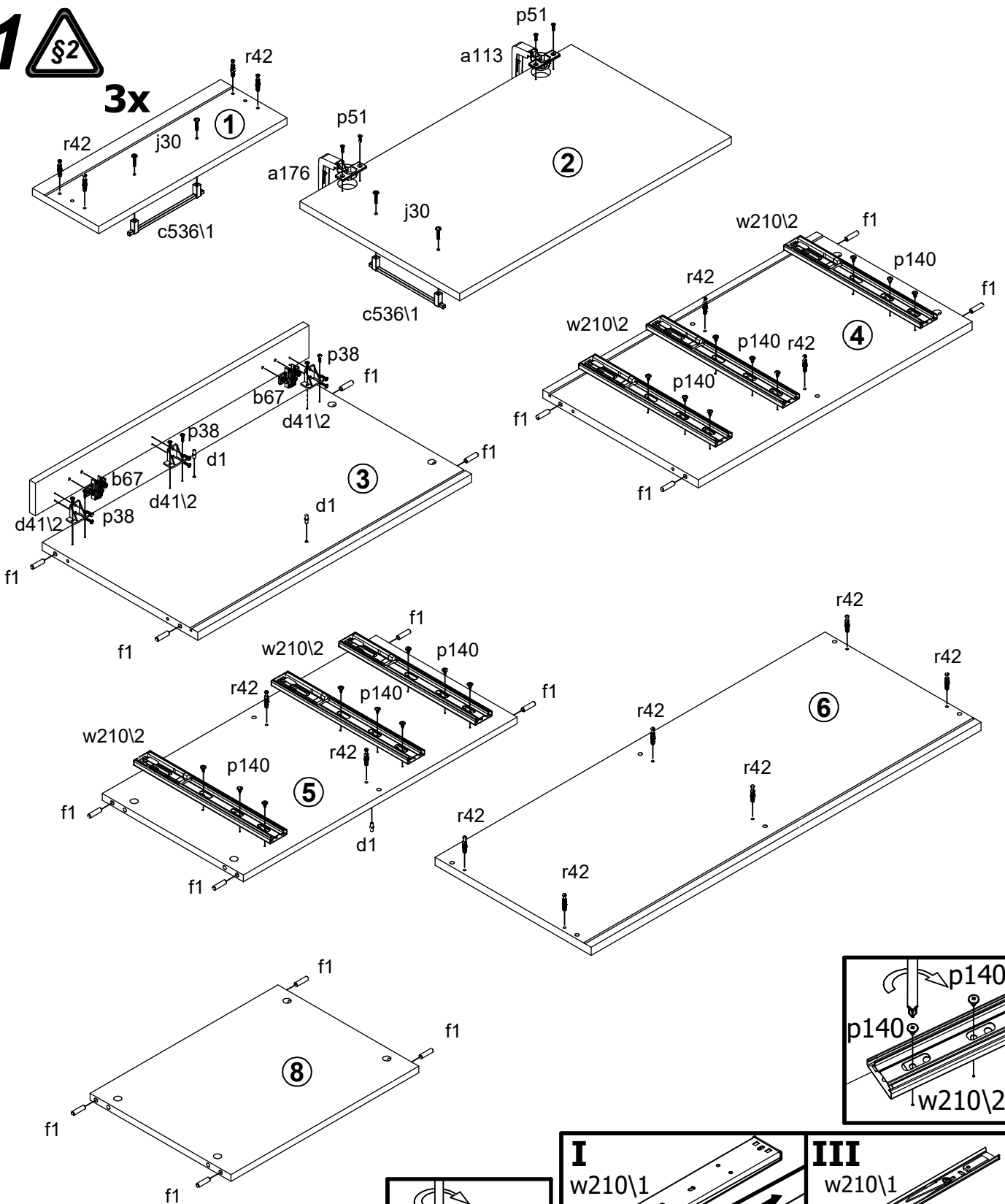
3x



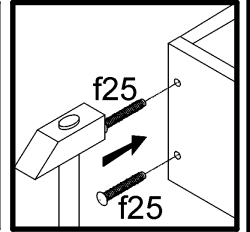
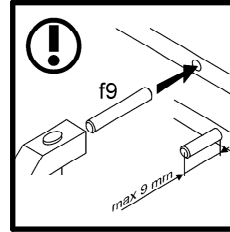
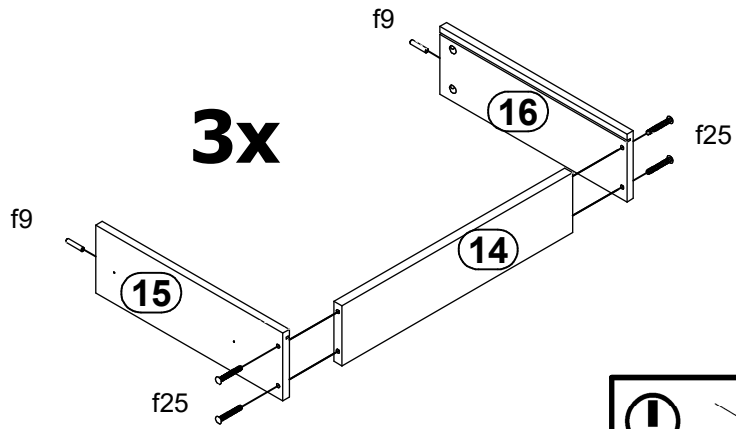
1x Ø6,5x40 mm a113	1x Ø6x30 mm a176	2x H6 b67	4x c536/1	4x Ø5x17 mm d1	3x d41/2	6x Ø7x50 mm e1	6x Ø6x30 mm e16	16x Ø8x30 mm f1
12x Ø6,5x40 mm f25	6x Ø6x30 mm f9	28x M5x12 mm j173	8x M4x22 mm j30	1x k133/52L	1x k133/52P	2x k133/53	2x L-360mm 18x18 k133/56	2x L-360mm 18x18 k133/57
1x L-960mm 18x18 k133/58	2x L-960mm 18x18 k133/59	8x i2	4x 22x9,5x20,7 mm n108	36x Ø3,5x12 mm p140	22x Ø3,5x16 mm p38	4x Ø3,5x15 mm p51	4x Ø2,9x16 mm p55	10x Ø15x12 mm #16 r1
12x Ø12x10,5 mm #12 r15	22x 20/11 r42	6x L-350 mm w210/1	6x L-350 mm w210/2	2x Ø 20mm s68	1x 4 mm z1	1x 3 mm z22	1x n26/1	

**1** 

**3x**

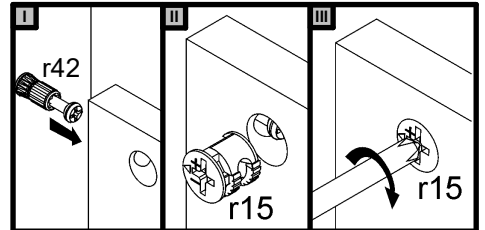
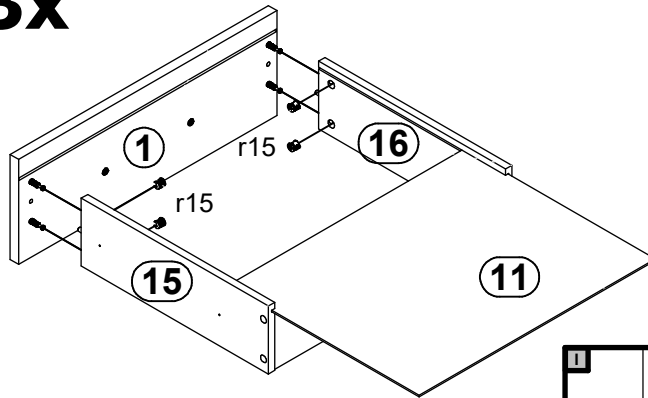


# 2



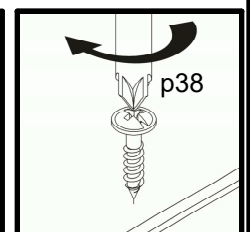
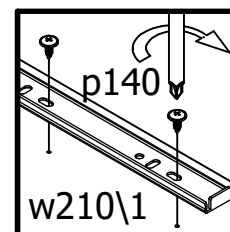
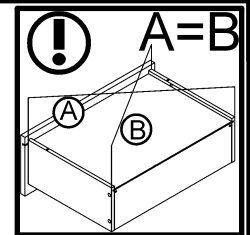
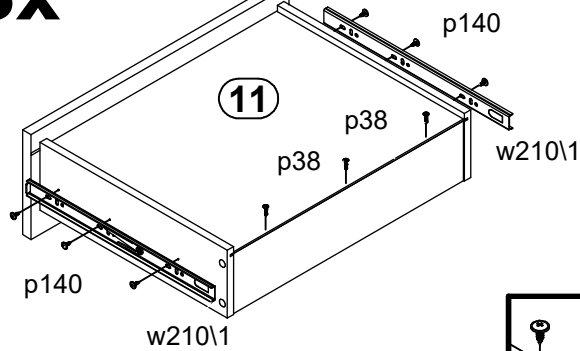
# 3

**3x**

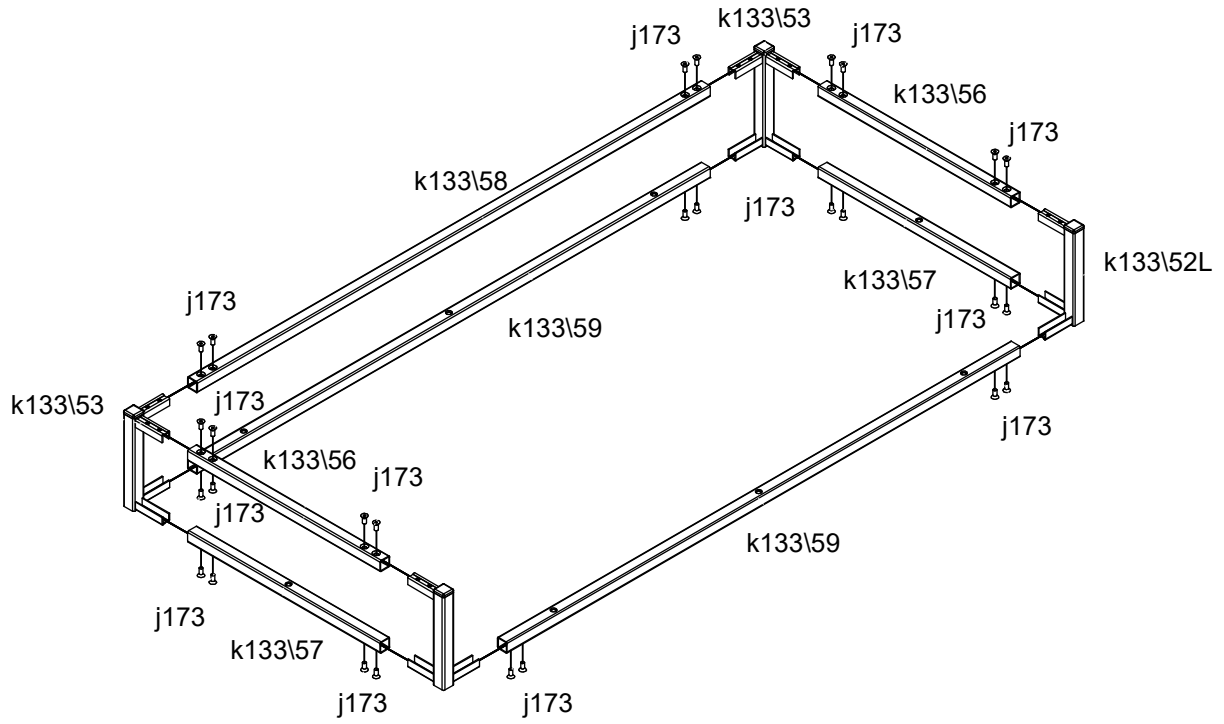


# 4

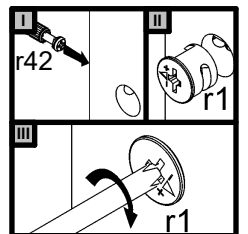
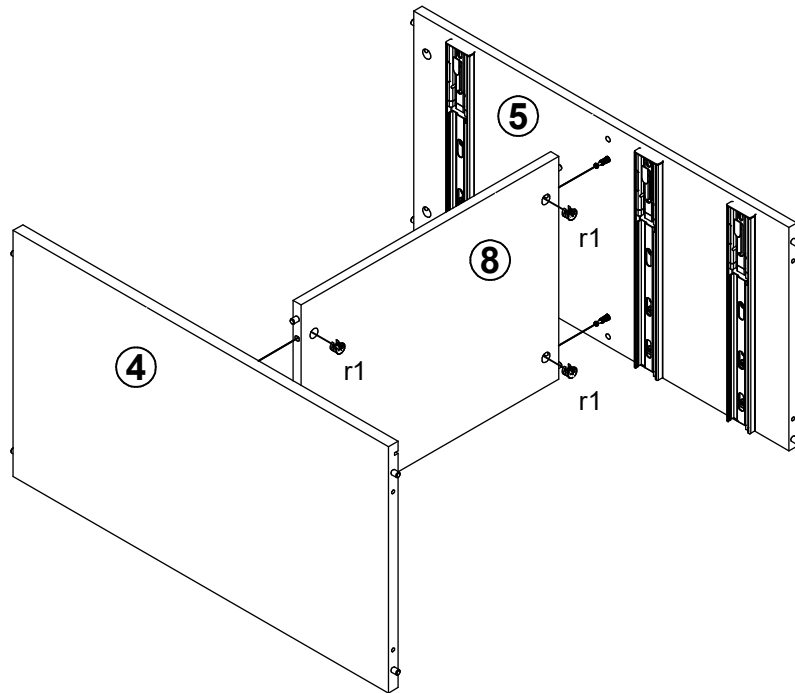
**3x**



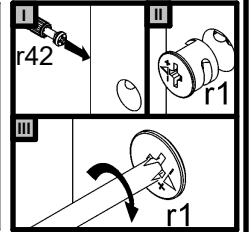
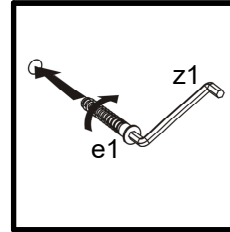
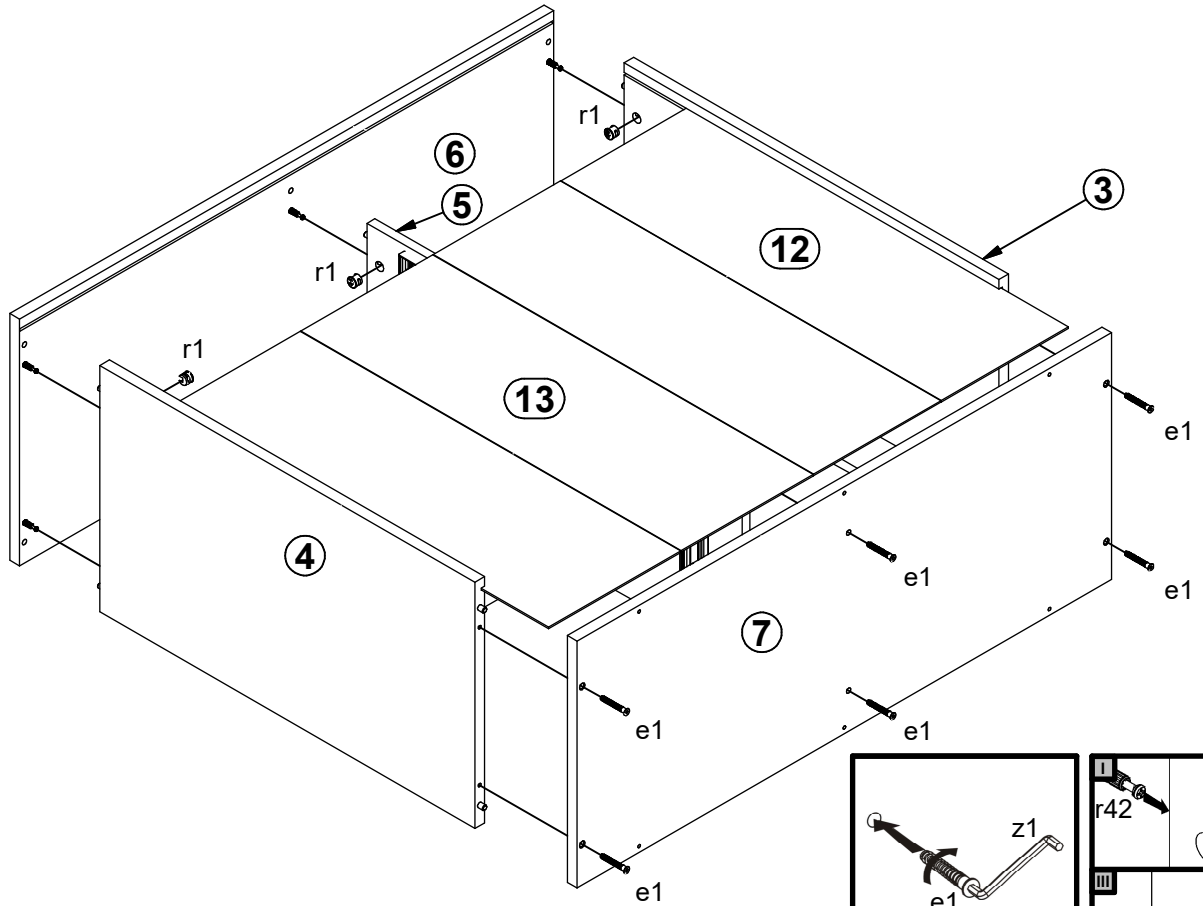
# 5



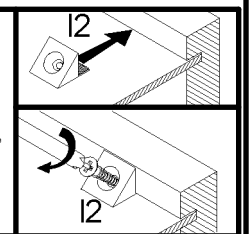
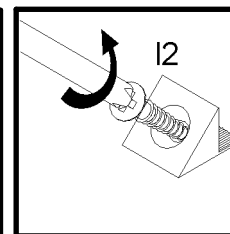
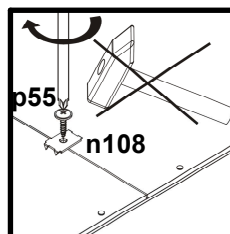
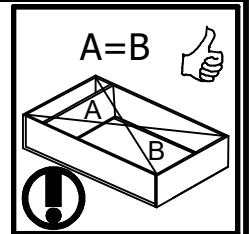
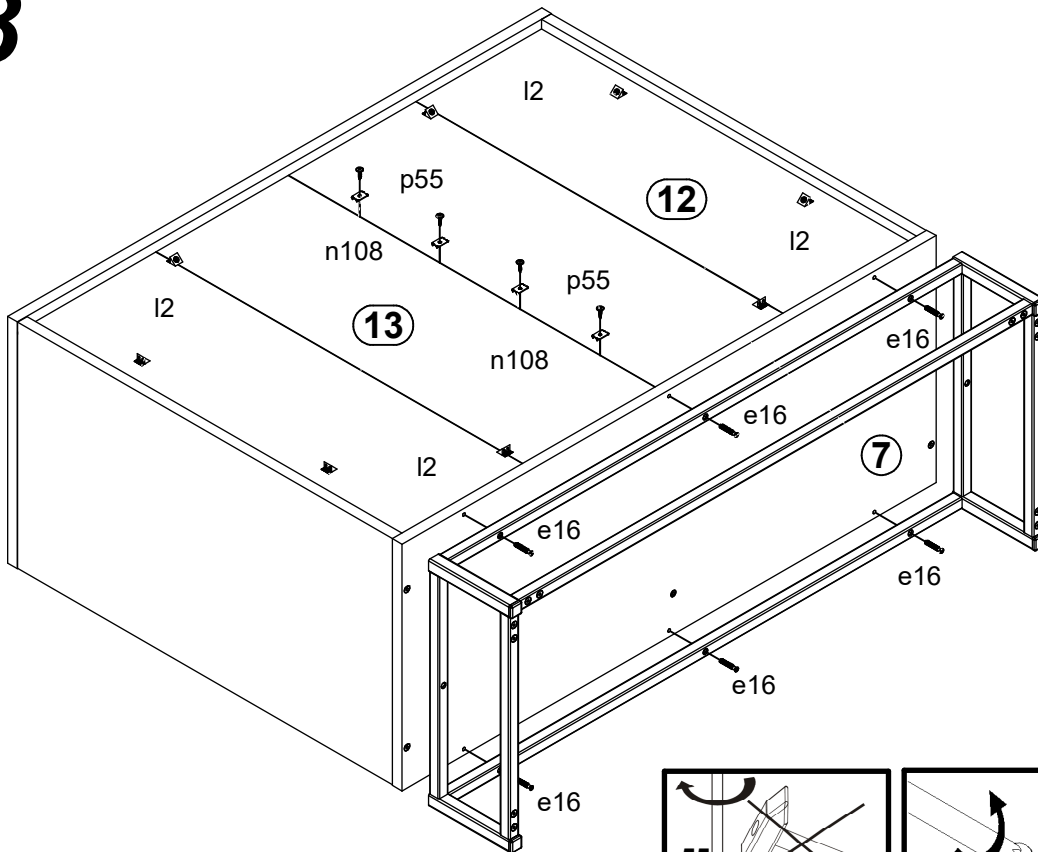
# 6



# 7



# 8



# 9

