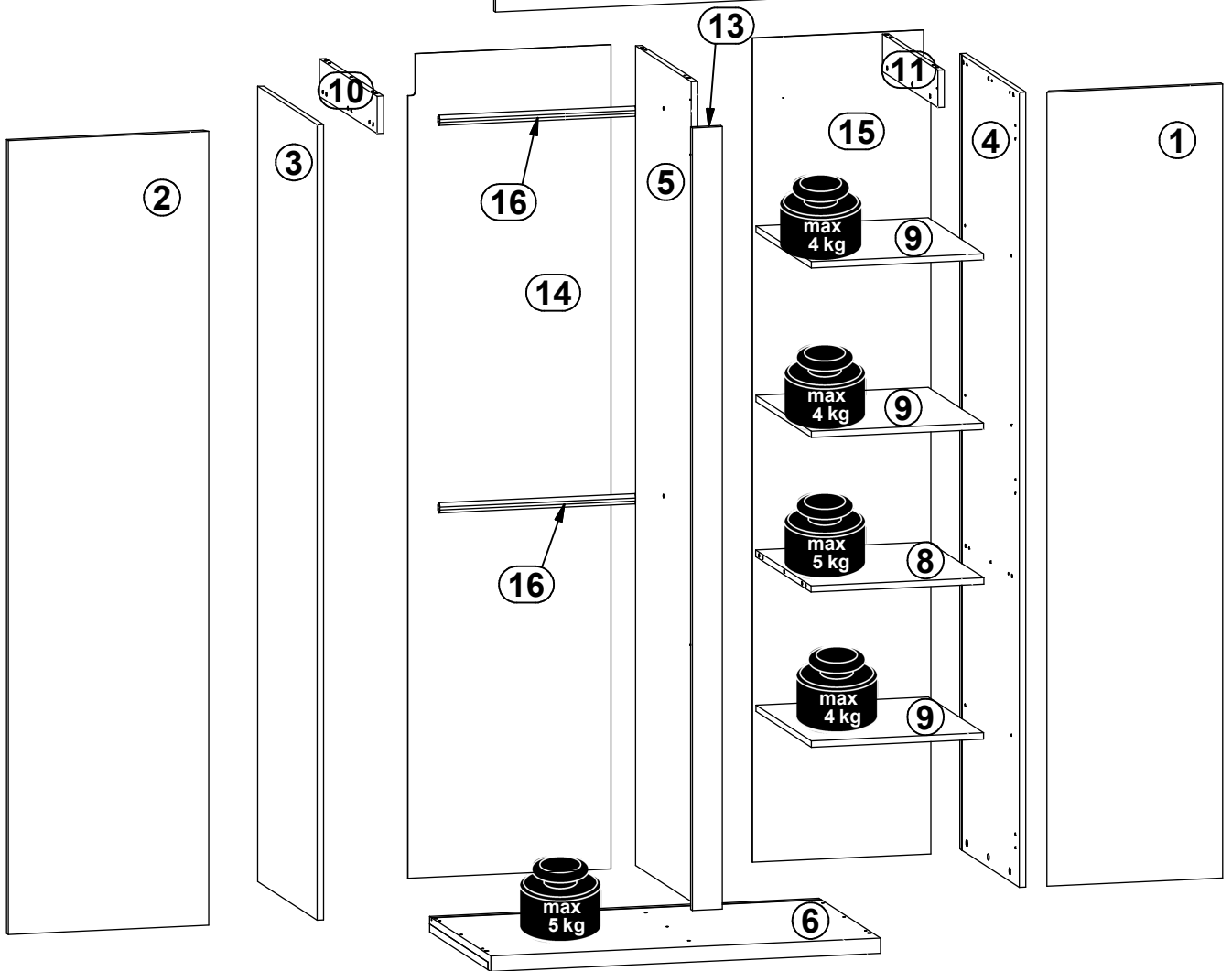
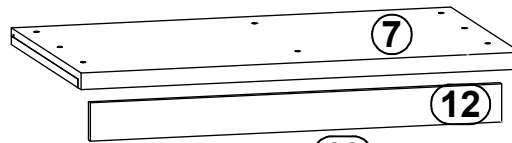
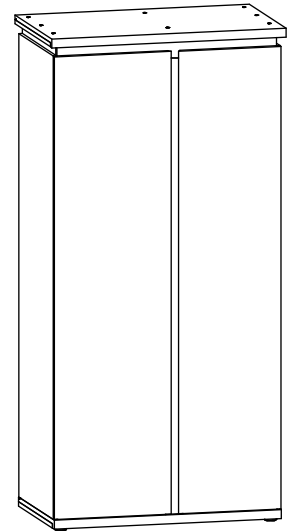
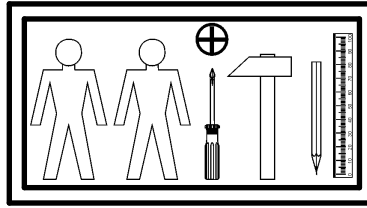
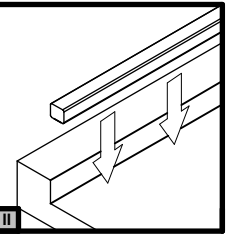
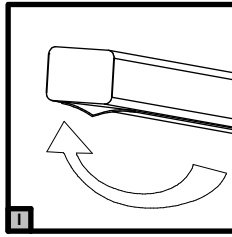
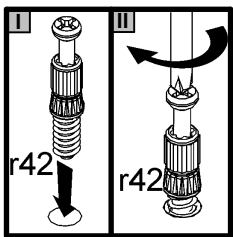
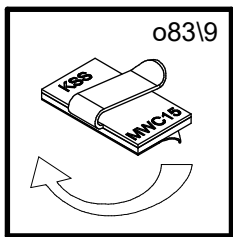
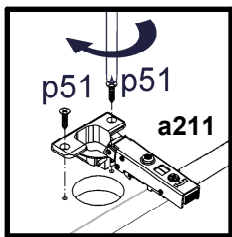
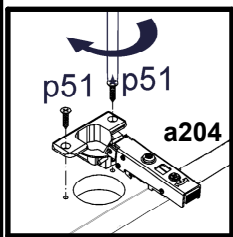
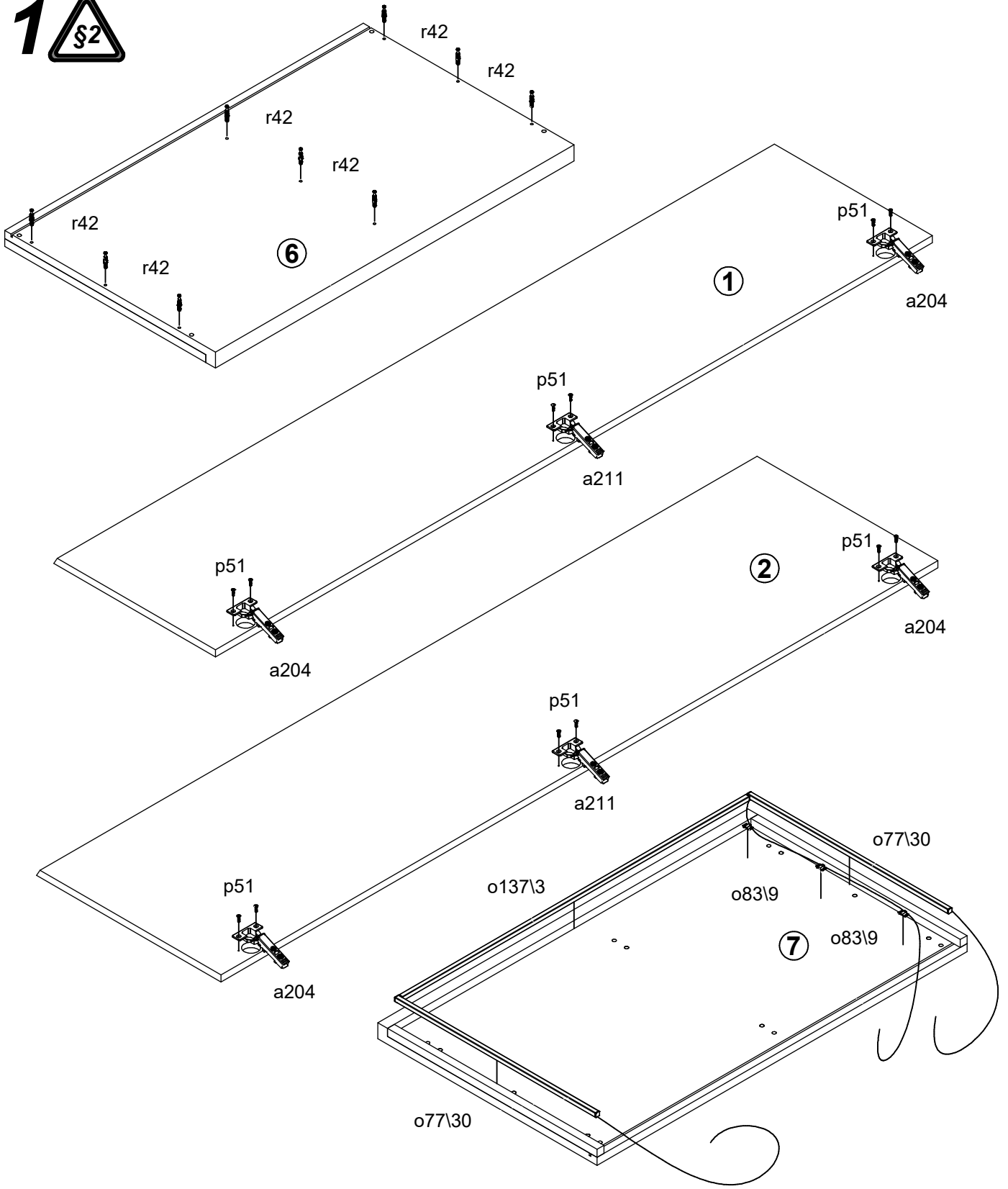


A	B	C	D	
1	S474-0001	1865	421	3/3
2	S474-0002	1865	480	3/3
3	S474-1001	1868	532	2/3
4	S474-1002	1868	532	2/3
5	S474-1003	1926	497	2/3
6	S474-2001	933	548	1/3
7	S474-2002	963	570	1/3
8	S474-3001	414	494	1/3
9	S474-3002	413	494	1/3
10	S474-4001	517	88	1/3
11	S474-4002	517	88	1/3
12	S474-4003	902	82	1/3
13	S474-4004	1838	72	3/3
14	S474-9001	1936	486	3/3
15	S474-9002	1936	427	3/3
16	dr-469	469	22	1/3

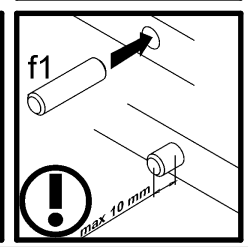
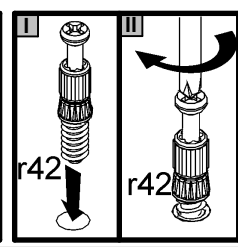
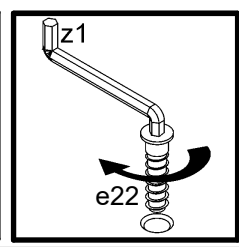
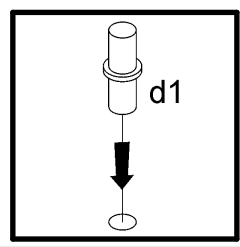
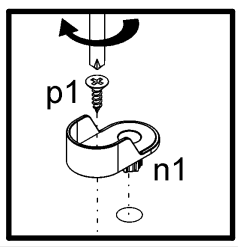
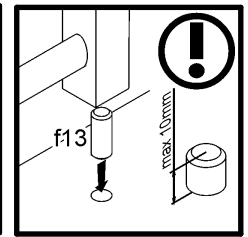
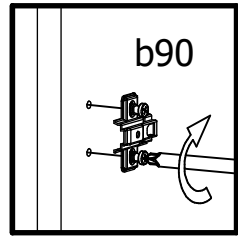
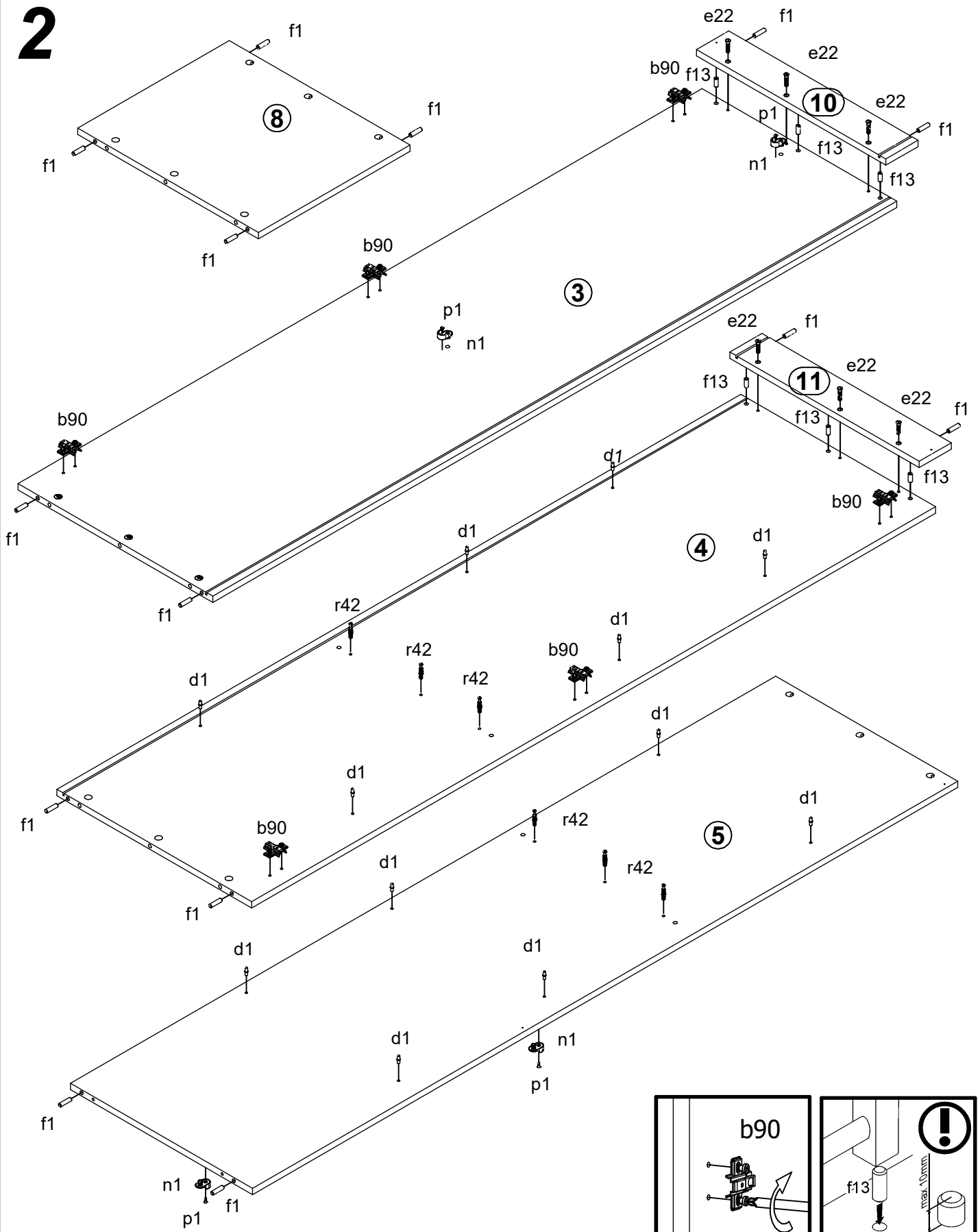


4x Ø35 Hamulec a204	2x Ø35 a211	6x Ø2 b90	12x Ø5x17 mm d1	7x d36	8x Ø7x50 mm e1	6x Ø7x28 mm e22	14x Ø8x30 mm f1	6x Ø8x20 mm f13
5x Ø48x10 mm k43	14x h=22mm l2	4x h=22mm n1	10x 22x9.5x20.7 mm n108	1x 3P 15W Ø70/17	2x 10x10 mm L=520 mm o77/30	4x 15x15 mm o83/9	1x 10x10 mm L=905 mm o137/3	4x Ø3.5x13 mm p1
26x Ø3.5x15 mm p51	10x Ø2.9x16 mm p55	15x Ø15x12 mm #16 r1	15x Ø20/11 r42	6x Ø14x0.5 mm s59	9x Ø20mm s68	1x 4 mm z1	2x 88x21x15/1.5 n14/2	4x Ø3.5x16 mm p38
2x Ø10x50 mm f35	2x Ø5x60 mm p17							

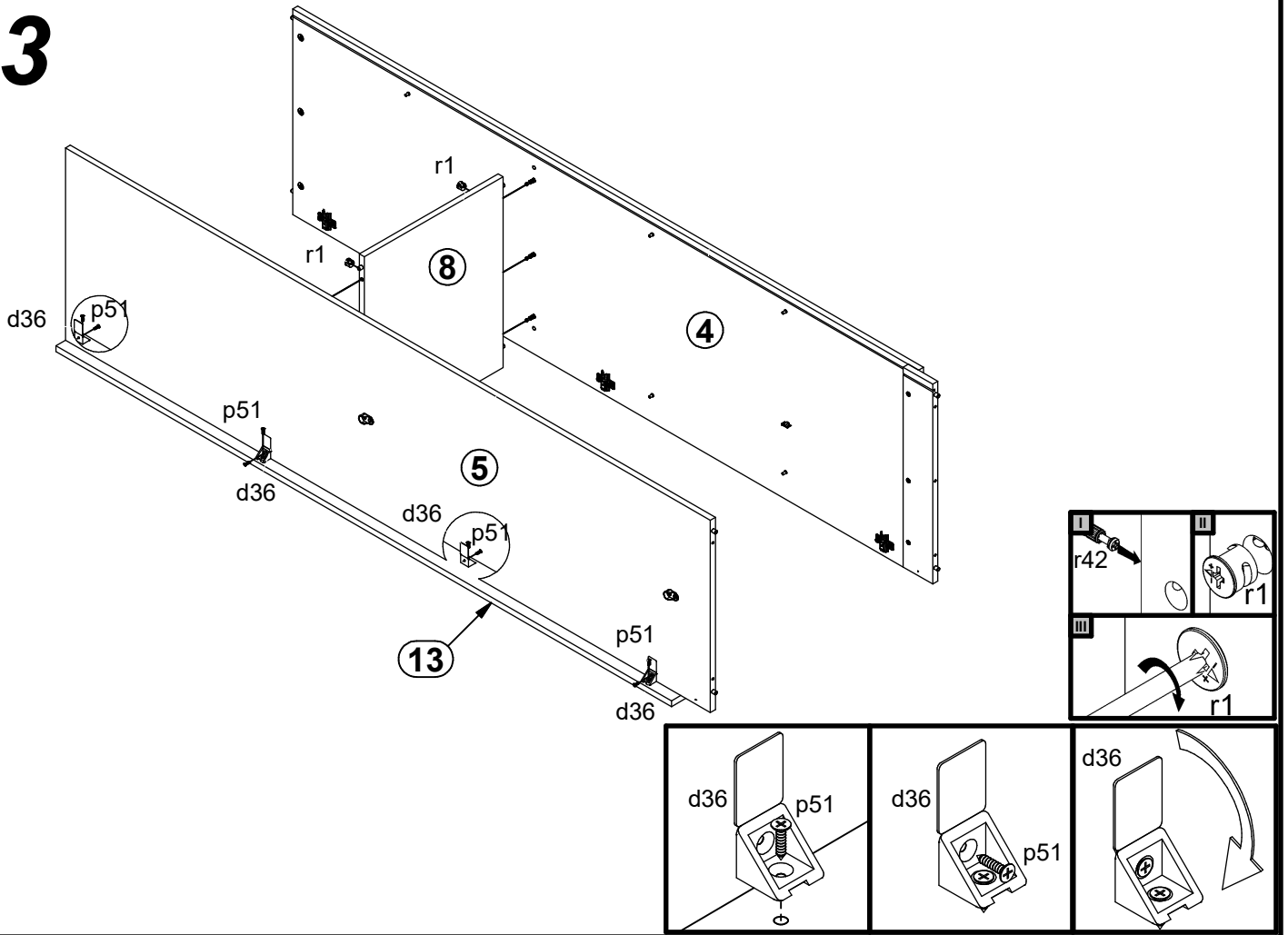
1 



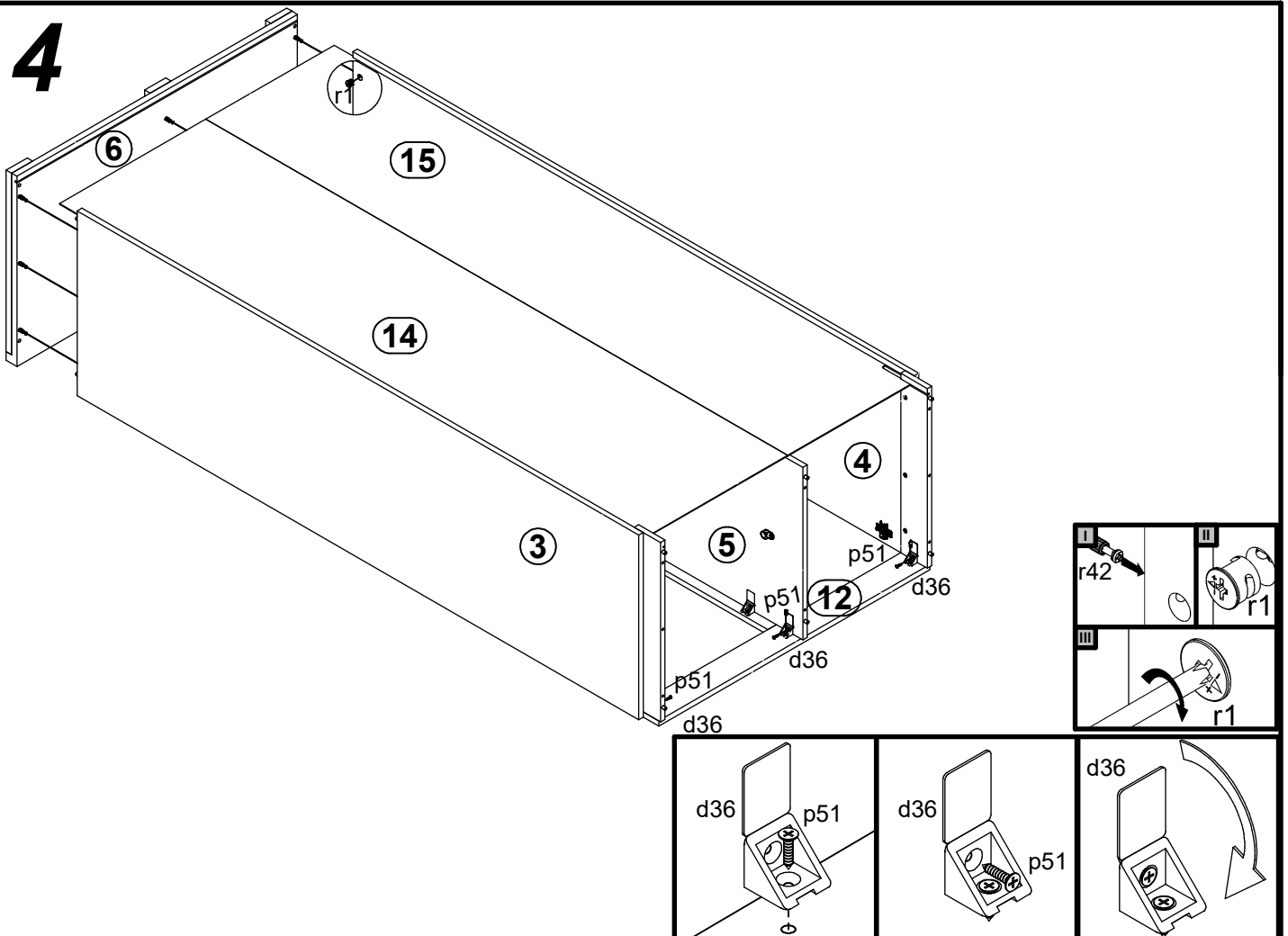
2



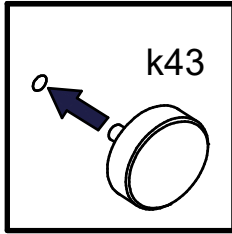
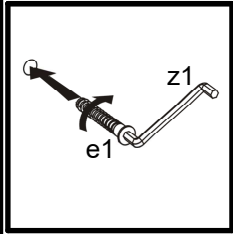
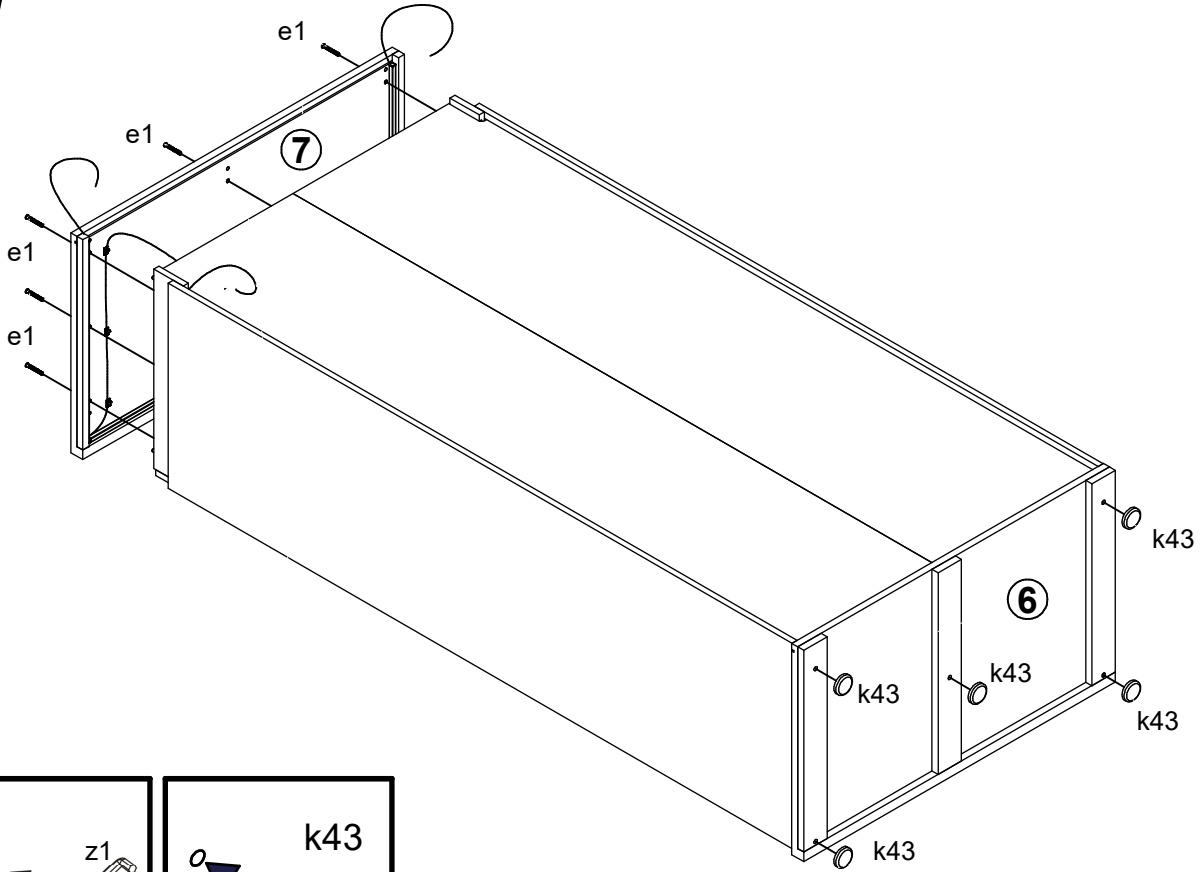
3



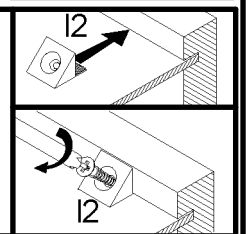
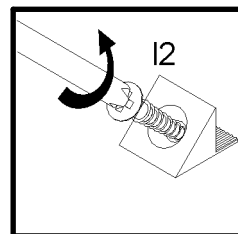
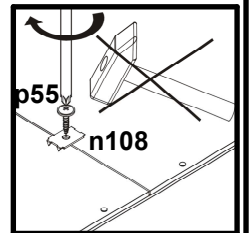
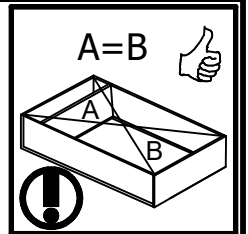
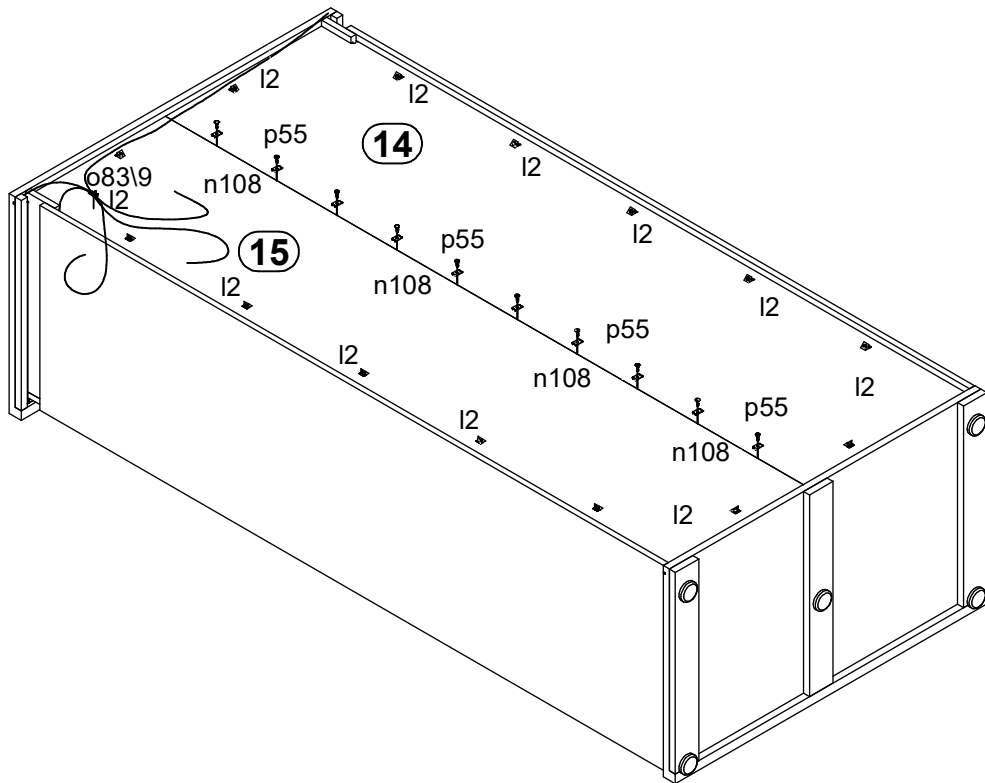
4



5



6



7

