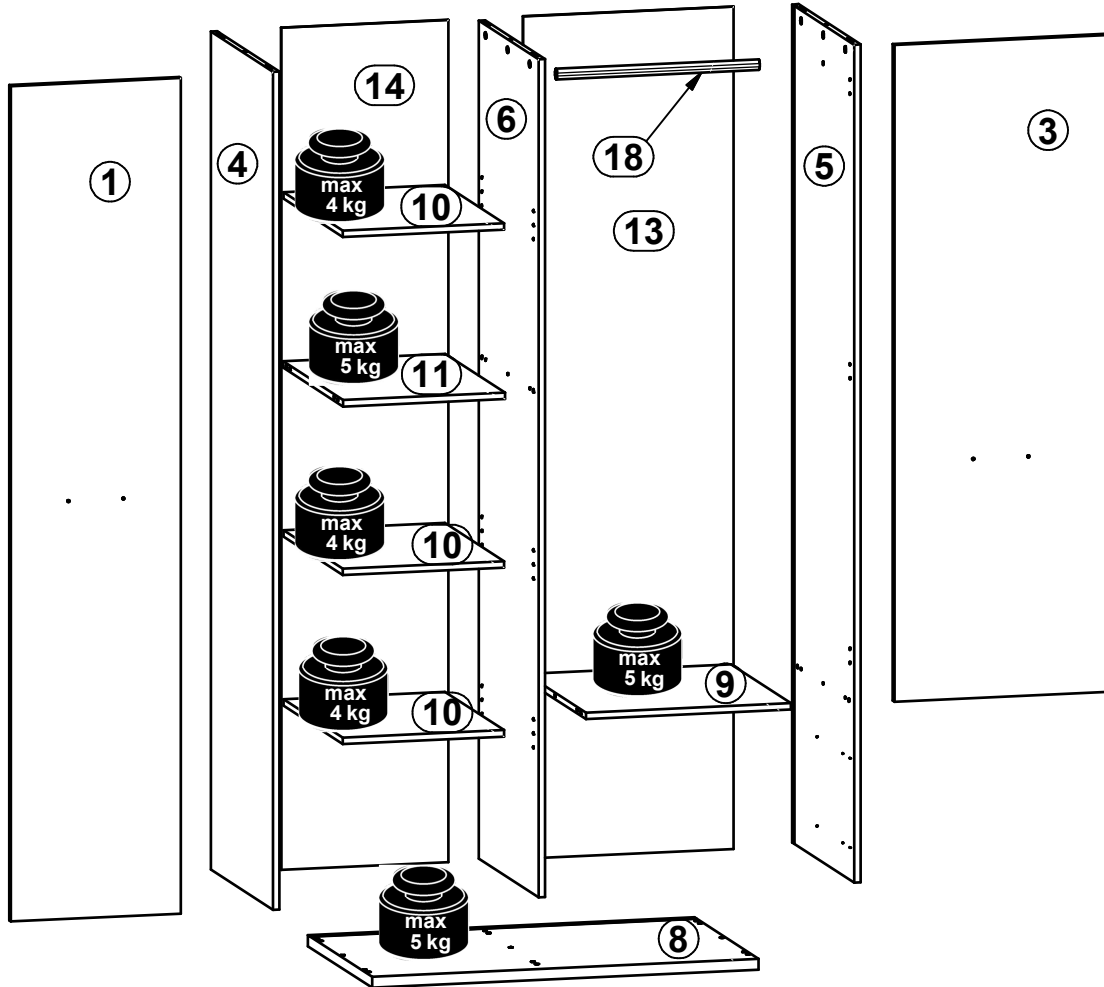
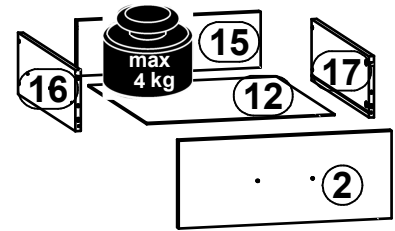
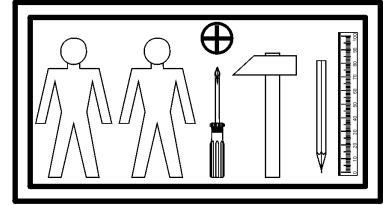
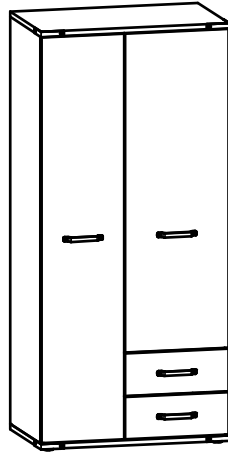


**A**

# LARA

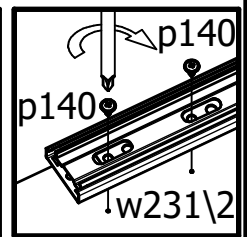
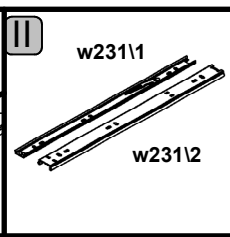
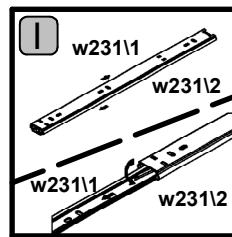
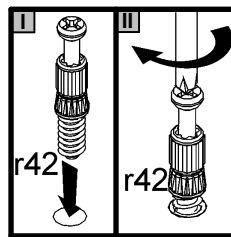
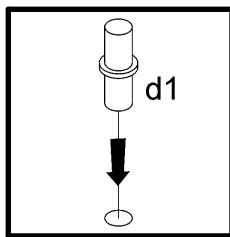
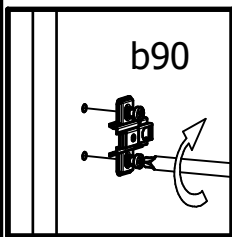
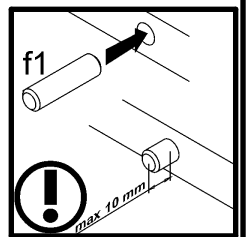
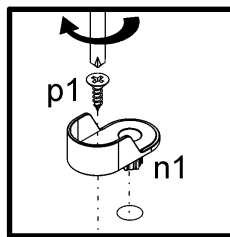
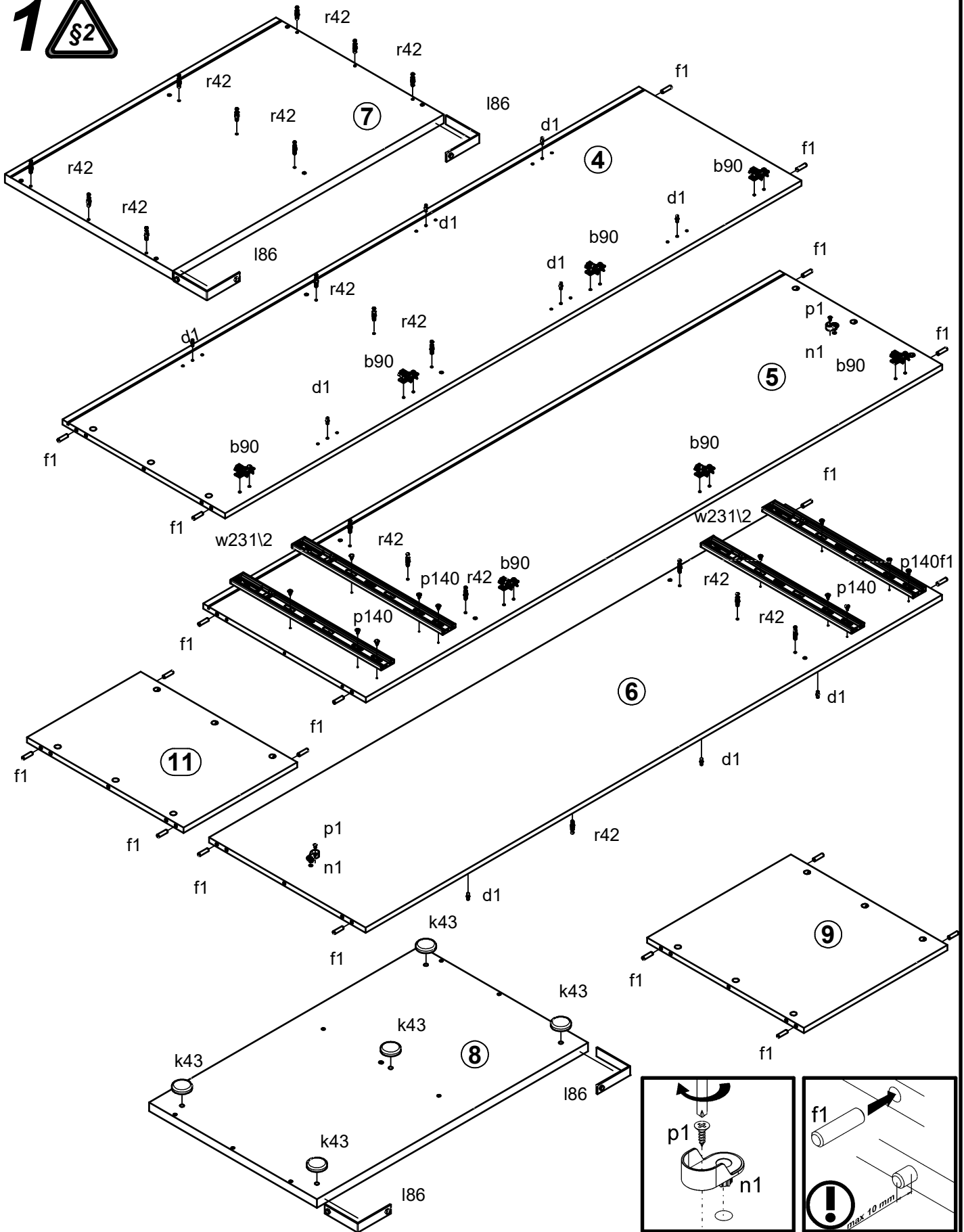
**S463-SZF2D2S**

A	B	C	D	
1	S463-0012	1908	396	3/4
2	S463-0013	496	200	3/4
3	S463-0014	1500	496	3/4
4	S463-1024	1914	540	1/4
5	S463-1025	1914	540	1/4
6	S463-1026	1914	520	1/4
7	S463-2014	900	557	2/4
8	S463-2015	900	557	2/4
9	S463-3013	477	520	2/4
10	S463-3014	376	515	2/4
11	S463-3015	377	520	2/4
12	S463-9008	438	507	2/4
13	S463-9009	1924	490	3/4
14	S463-9010	1924	389	3/4
15	ZK3-5091	427	127	2/4
16	ZK4-519	500	140	2/4
17	ZK4-520	500	140	2/4
18	dr-472	472	22	2/4

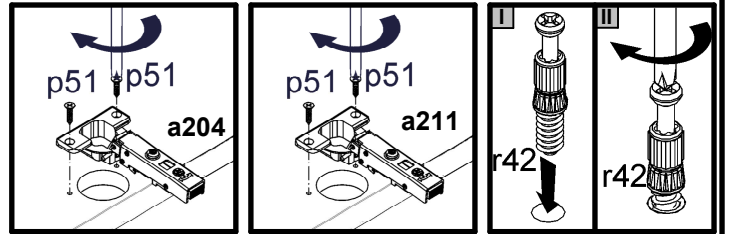
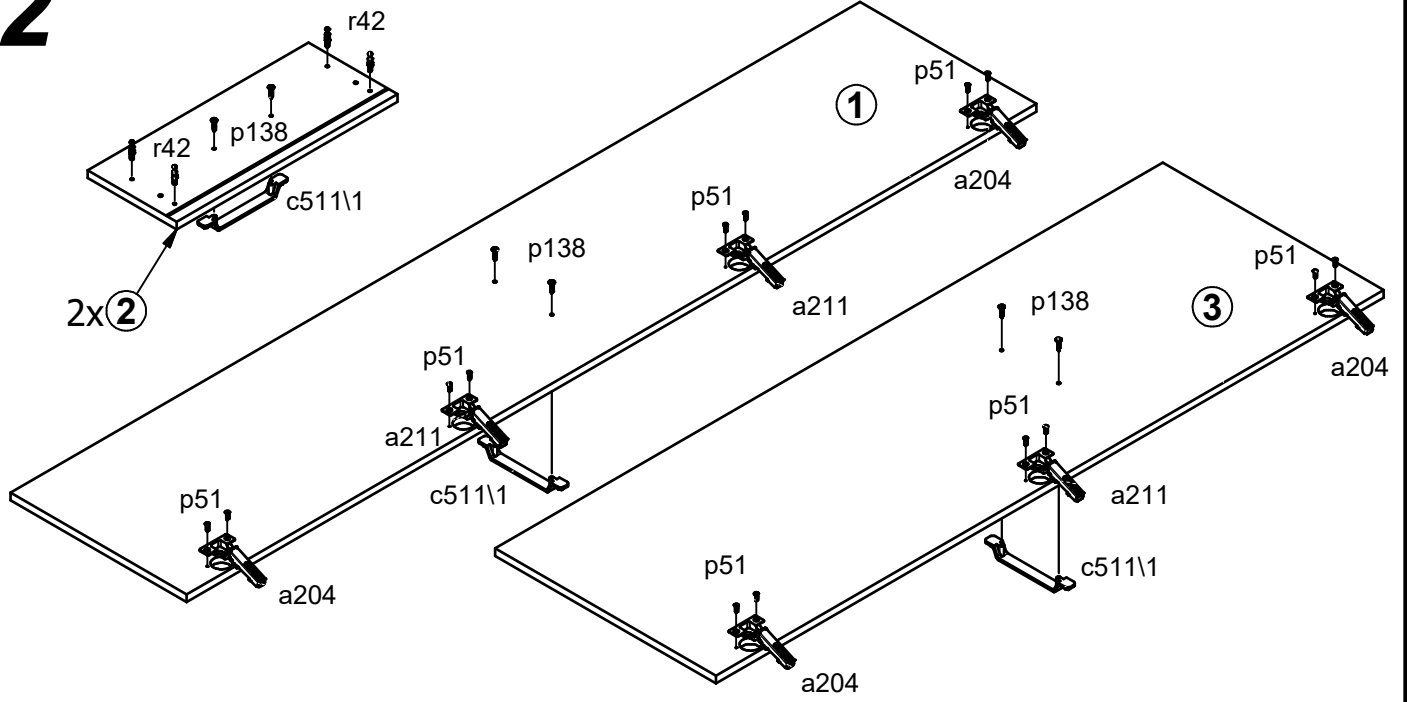


4x Ø35 a204	3x Ø35 a211	7x b90	4x l28 c511\1	12x Ø5x17 mm d1	9x Ø7x60 mm e8	20x Ø8x30 mm f1	8x Ø6.5x40 mm f25	4x Ø6x30 mm f9
5x Ø48x10 mm k43	14x l2 I2	4x l86	2x h=22mm n1	9x 22x9.5x20.7 mm n108	2x Ø3.5x13 mm p1	8x Ø4x22 mm p60	24x Ø3.5x12 mm p140	7x Ø3.5x16 mm p38
14x Ø3.5x15 mm p51	14x Ø2.9x16 mm p55	21x Ø15x12 mm #16 r1	8x Ø12x10.5 mm #12 r15	29x 20/11 r42	4x L=500 mm w231\2	4x L=500 mm w231\1	1x 4 mm z1	1x n26\1
15x Ø20mm s68								

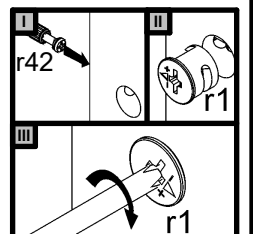
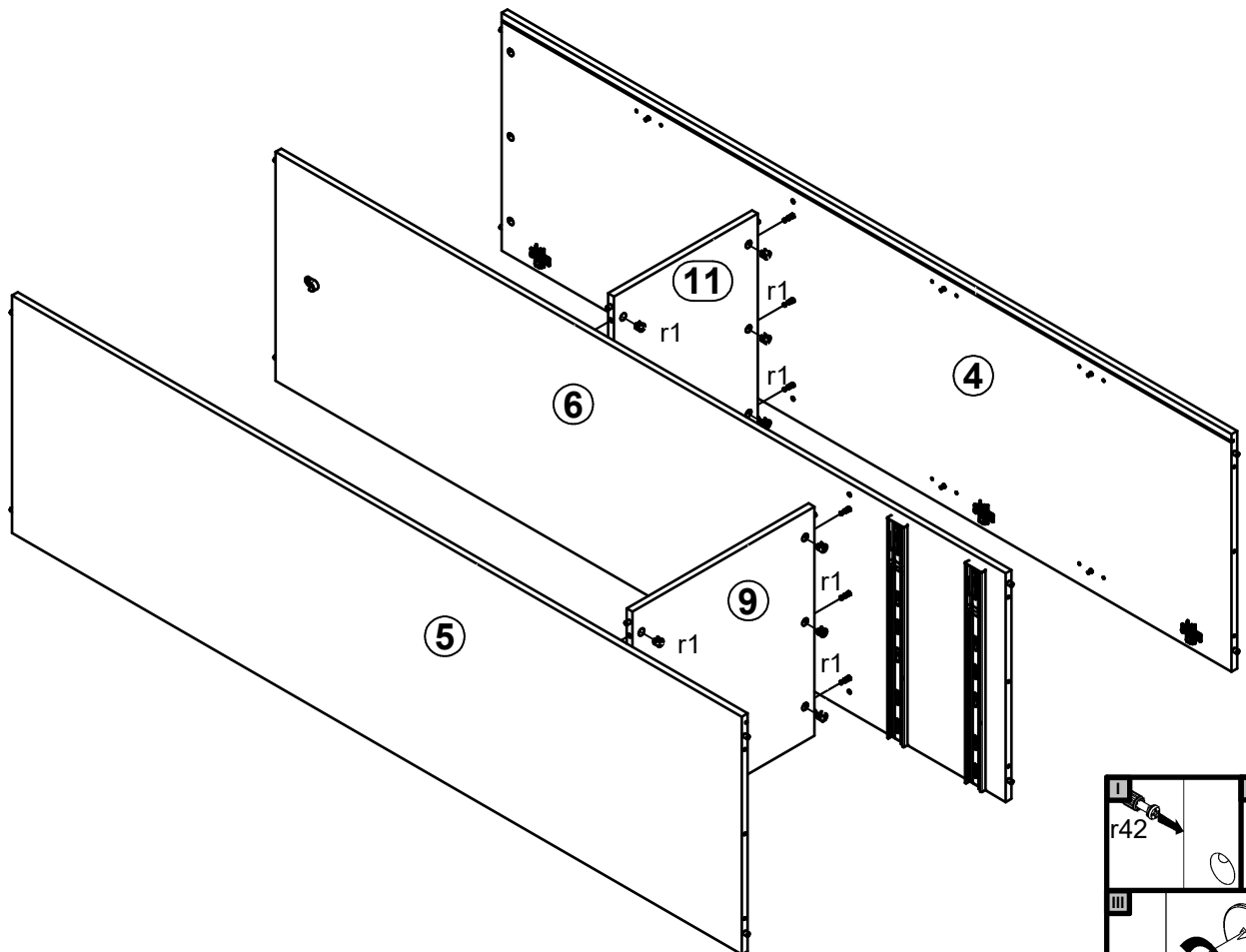
1 



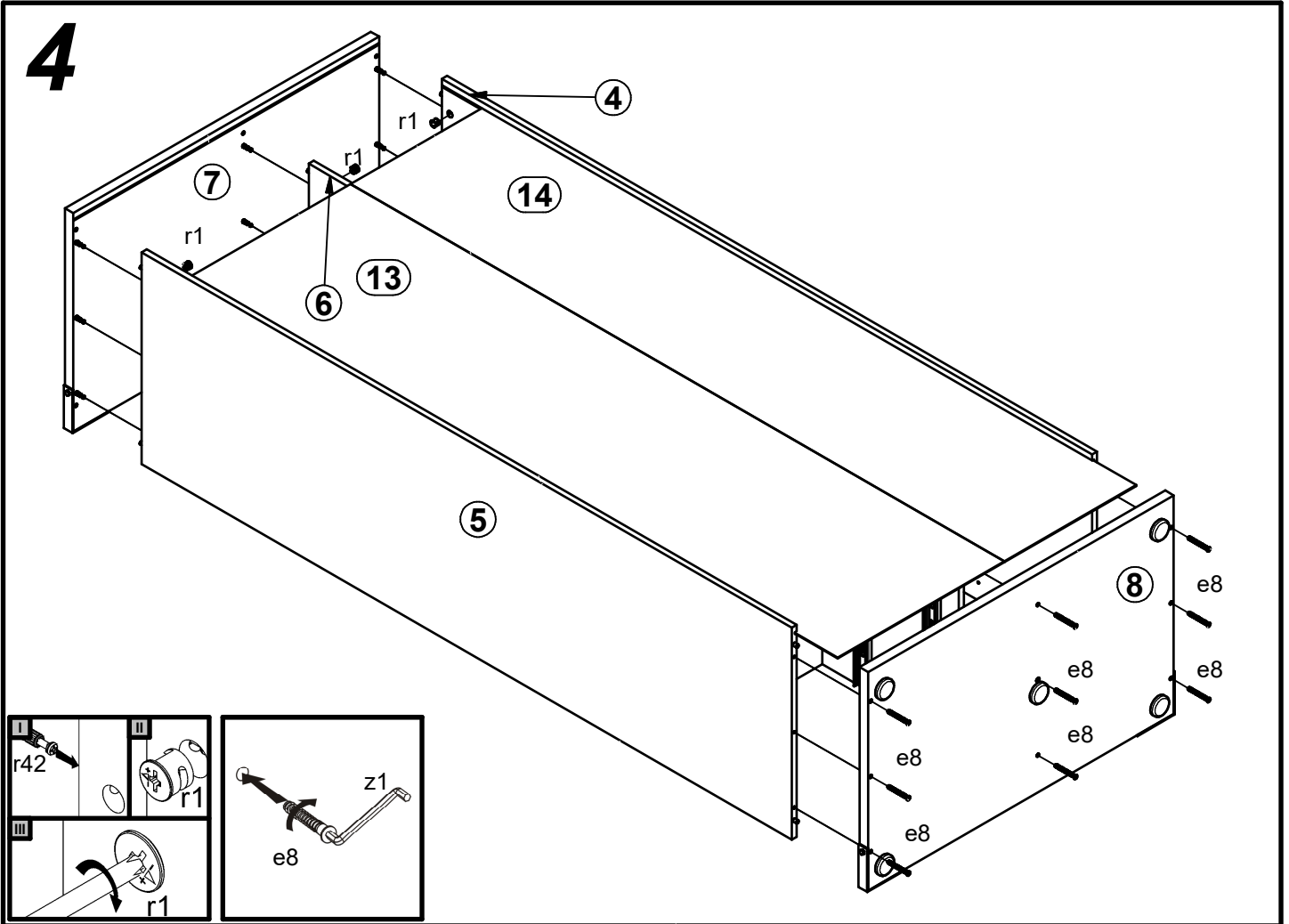
# 2



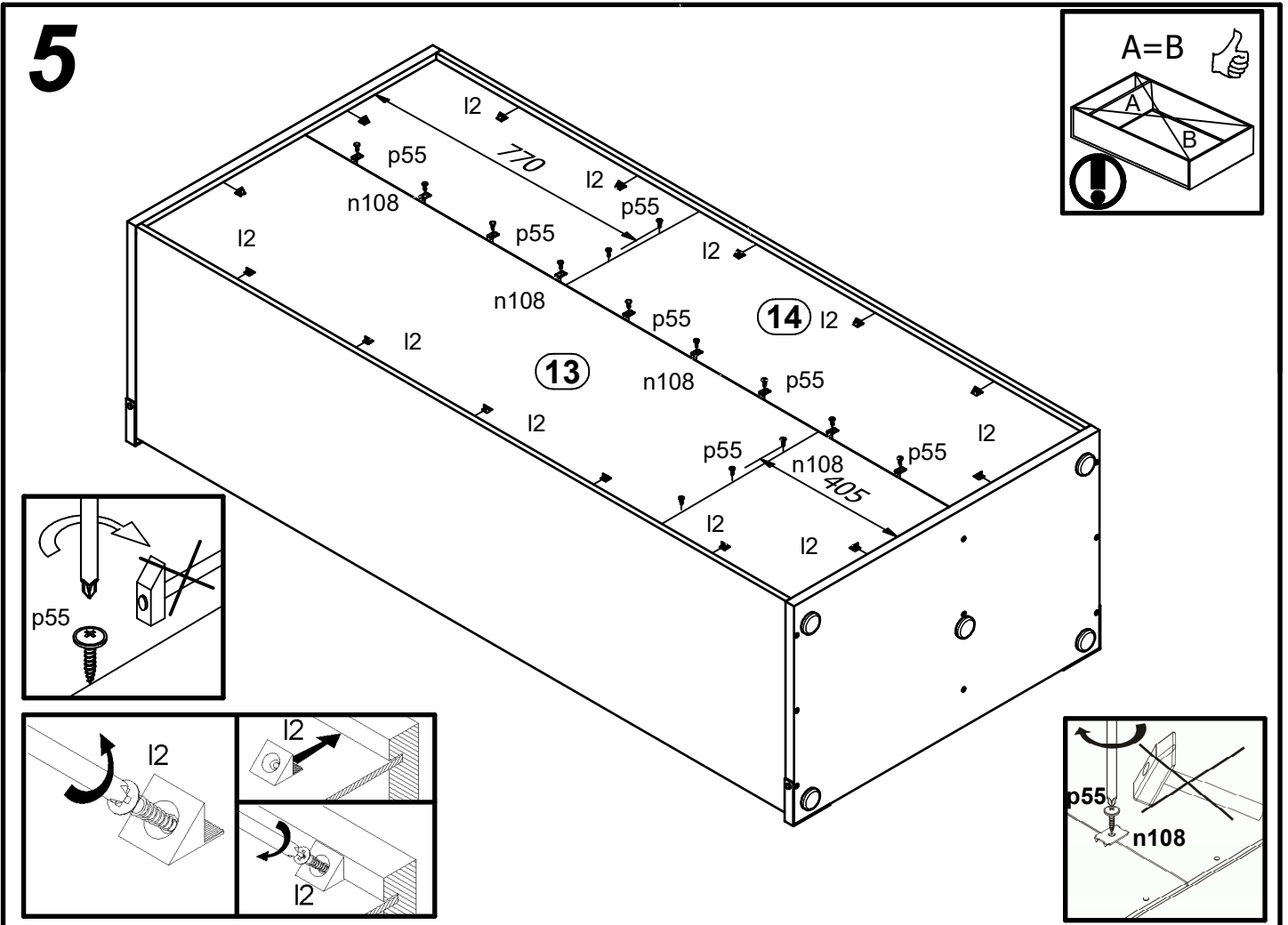
# 3



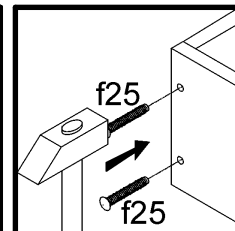
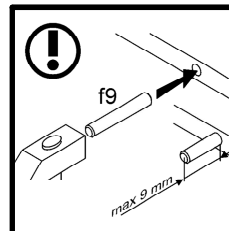
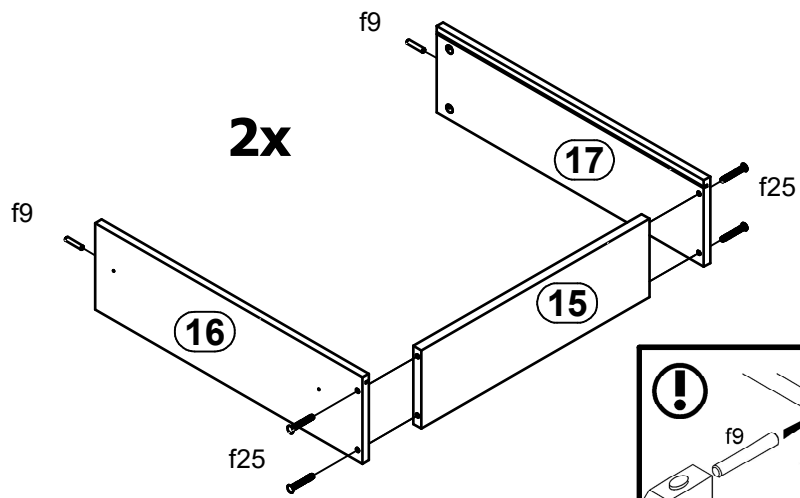
# 4



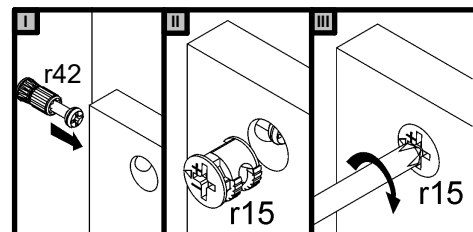
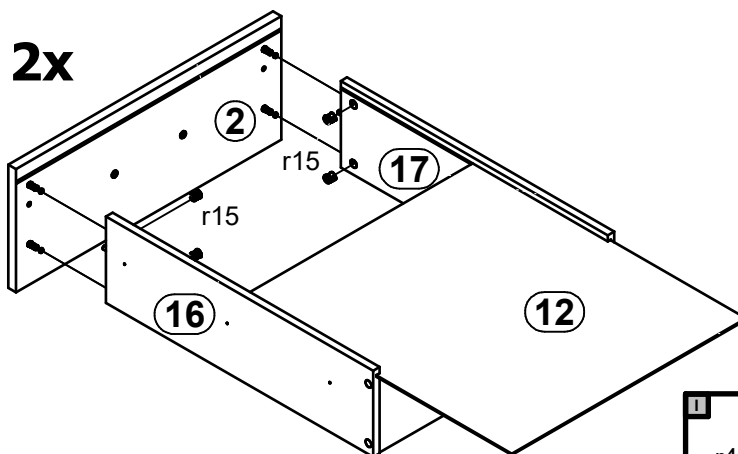
# 5



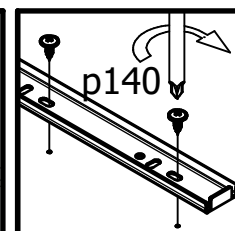
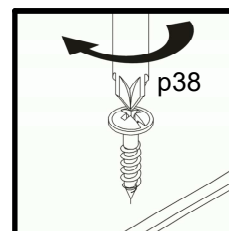
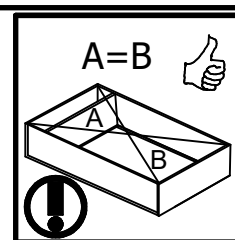
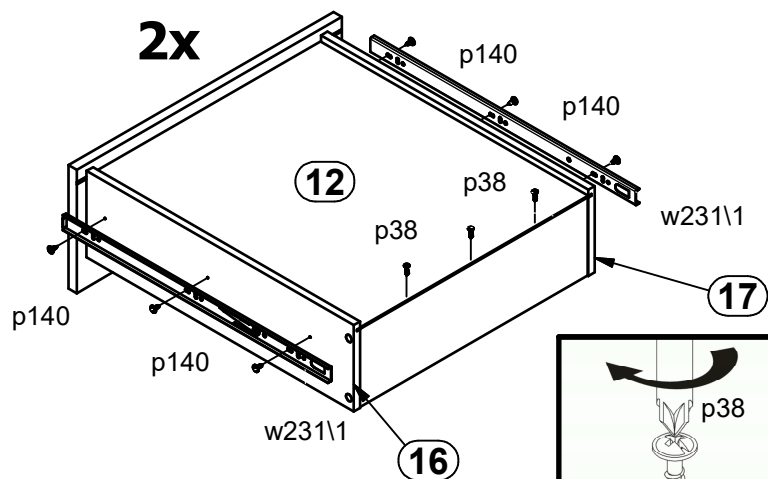
# 6



# 7



# 8



# 9

