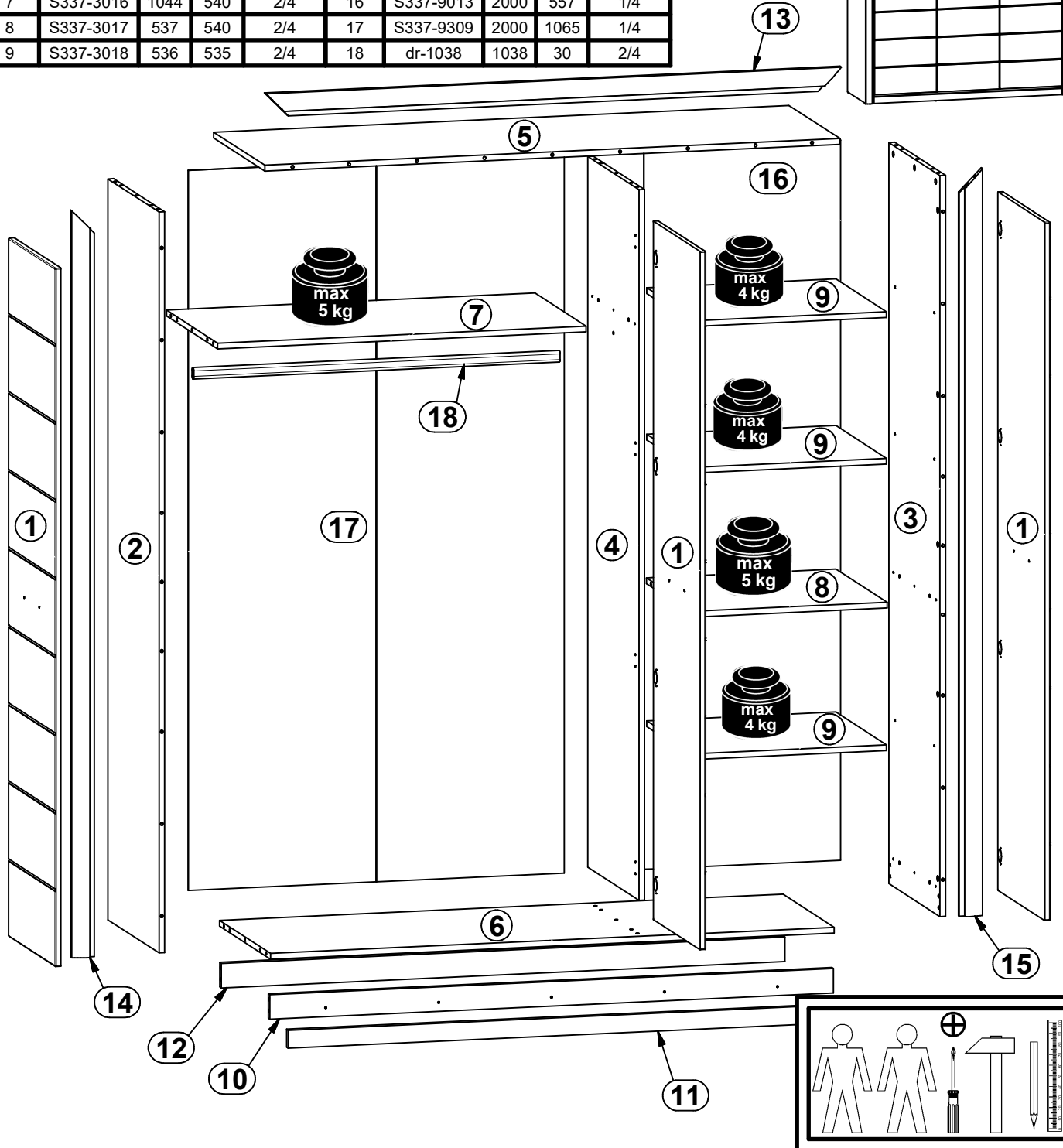
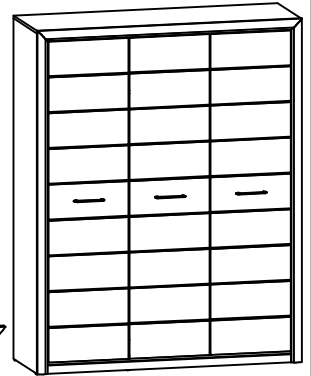
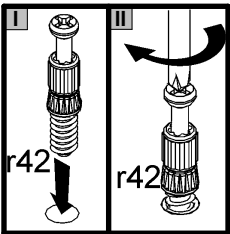
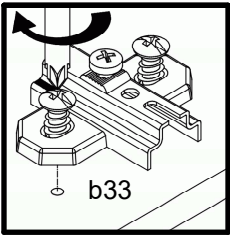
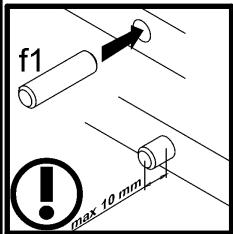
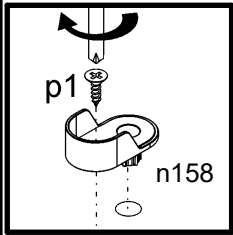
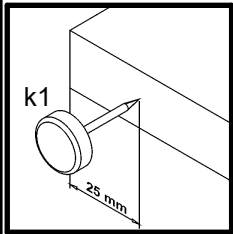
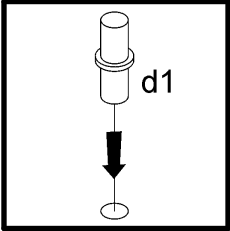
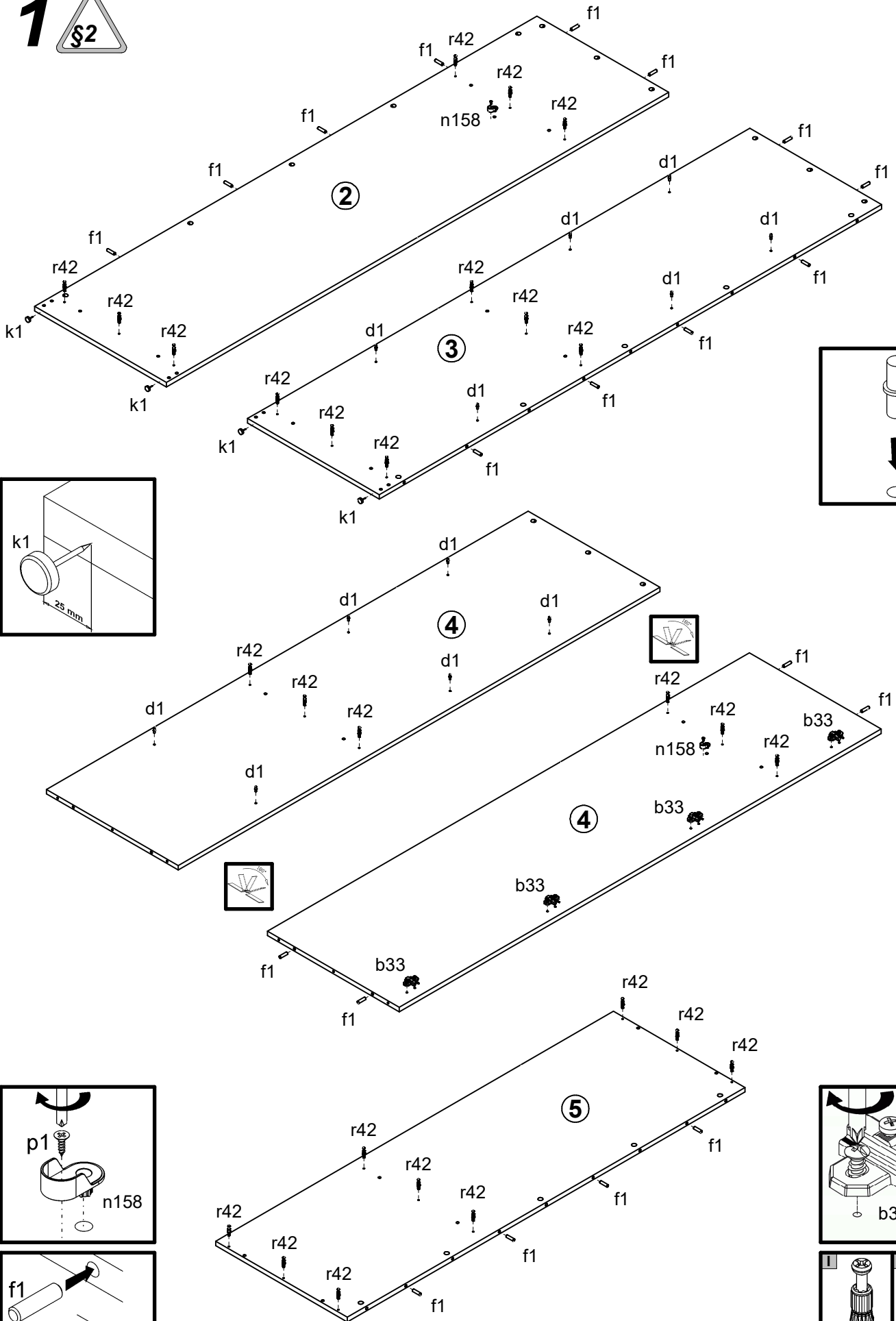


| A | B | C | D | A | B | C | D | | |
|---|-----------|------|------|-----|----|-----------|------|------|-----|
| 1 | S337-0019 | 496 | 1940 | 4/4 | 10 | S337-4007 | 1597 | 68 | 2/4 |
| 2 | S337-1031 | 2058 | 540 | 1/4 | 11 | S337-4009 | 1501 | 50 | 2/4 |
| 3 | S337-1032 | 2058 | 540 | 1/4 | 12 | S337-4022 | 1597 | 68 | 2/4 |
| 4 | S337-1033 | 1974 | 540 | 1/4 | 13 | S337-5009 | 1631 | 65 | 3/4 |
| 5 | S337-2010 | 1630 | 540 | 2/4 | 14 | S337-5034 | 2075 | 65 | 3/4 |
| 6 | S337-3015 | 1597 | 540 | 2/4 | 15 | S337-5035 | 2075 | 65 | 3/4 |
| 7 | S337-3016 | 1044 | 540 | 2/4 | 16 | S337-9013 | 2000 | 557 | 1/4 |
| 8 | S337-3017 | 537 | 540 | 2/4 | 17 | S337-9309 | 2000 | 1065 | 1/4 |
| 9 | S337-3018 | 536 | 535 | 2/4 | 18 | dr-1038 | 1038 | 30 | 2/4 |

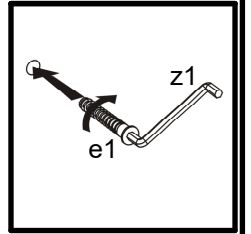
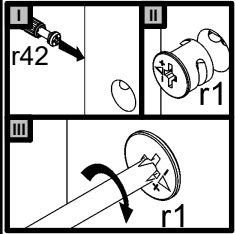
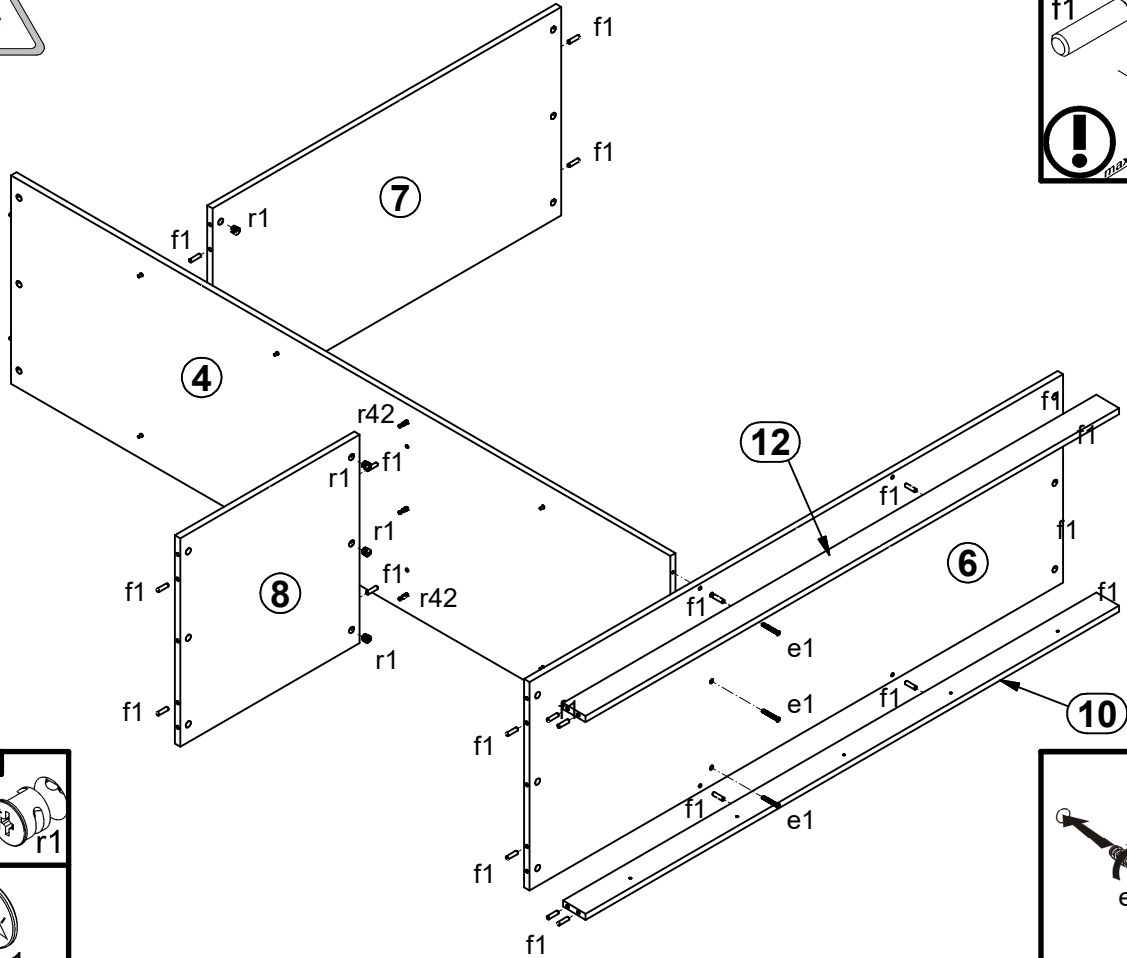


| | | | | | | | | |
|----------------------------|-----------|---------------------|------------------|----------------------|------------------------|-------------------------|--------------------------|-----------------------|
| 4x K9,5 a68 | 8x a99 | 4x DL5 b33 | 8x D4 b43 | 3x c431 160 mm | 12x d1 Ø5x17 mm | 3x e1 Ø7x50 mm | 16x e2 Ø6,3x13 mm | 46x f1 Ø8x30 mm |
| 6x M4x22 mm j30 | 6x k1 | 120x l1 | 1x n26 | 2x n158 | 2x p1 Ø3,5x13 mm | 1x p38 Ø3,5x16 mm | 24x p51 Ø3,5x15 mm | 5x p94 Ø4x28 mm |
| 46x Ø15x12 mm #16 r1 | 2x r10 | 42x 20/11 r42 | 30x Ø16 s2 | 1x z1 | | | | |

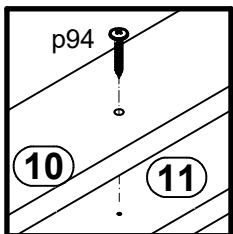
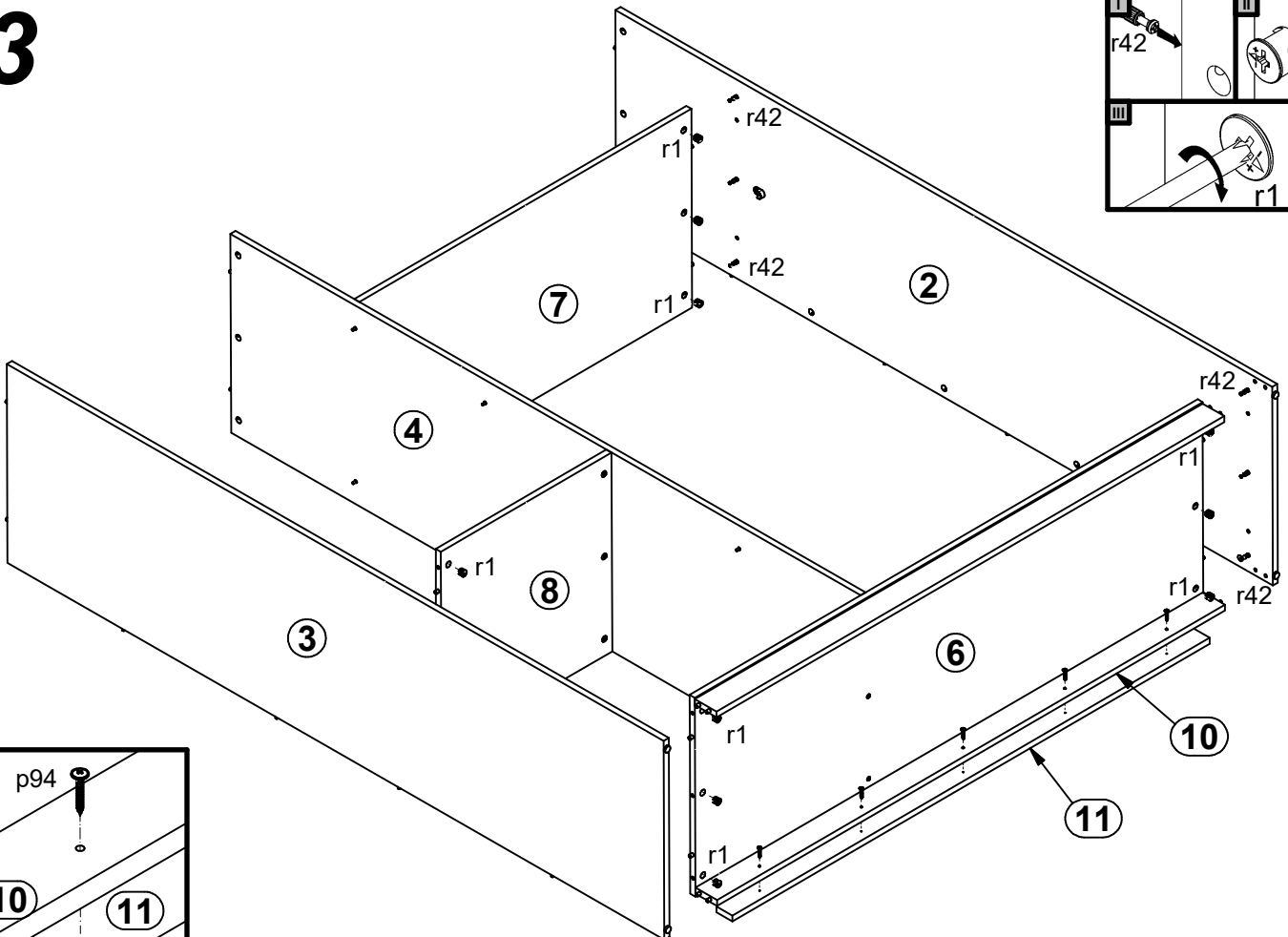
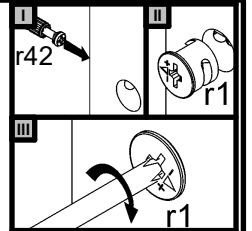
1 §2



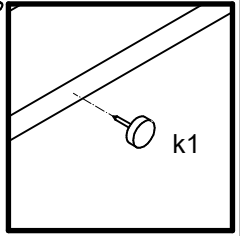
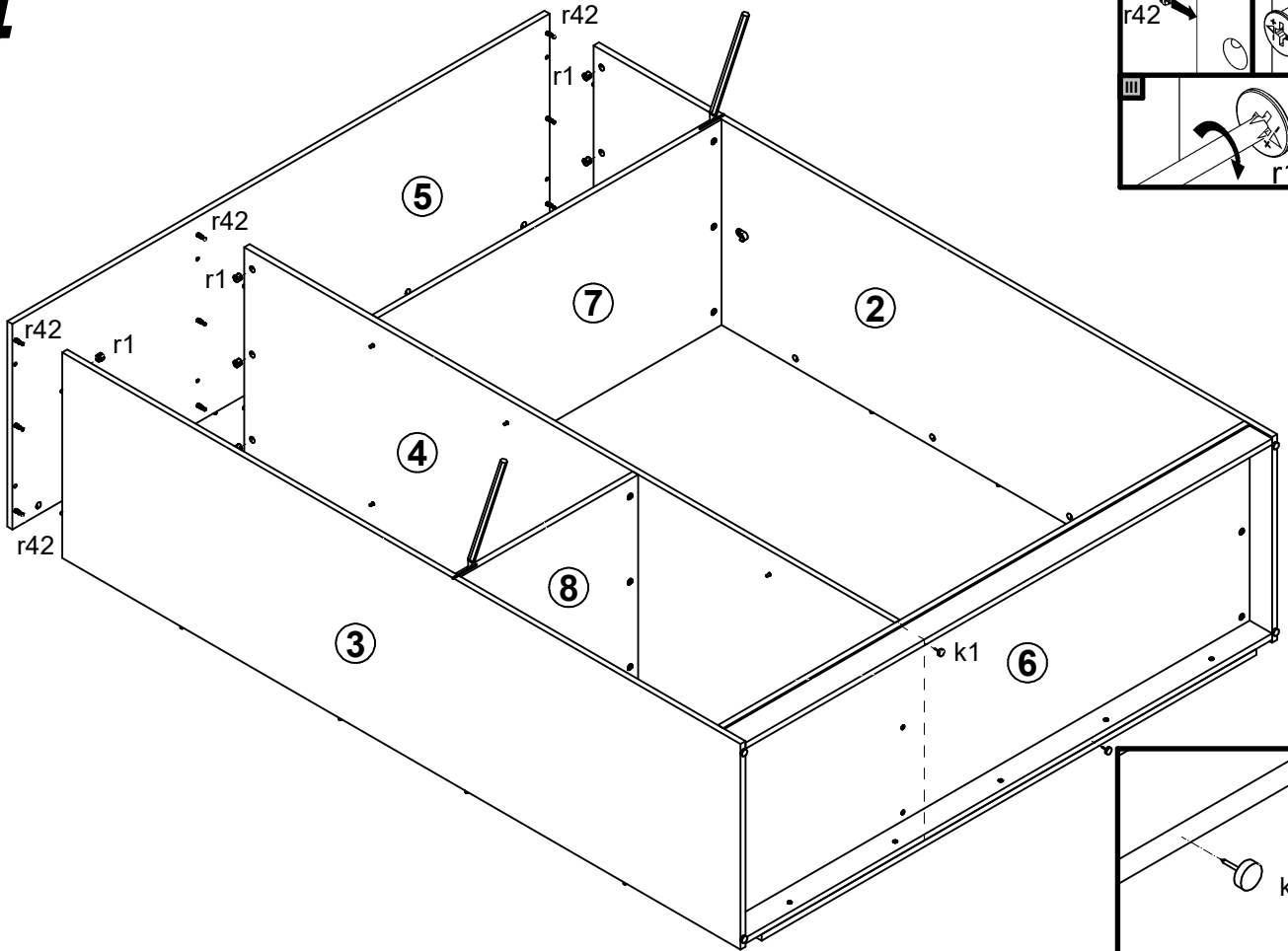
2



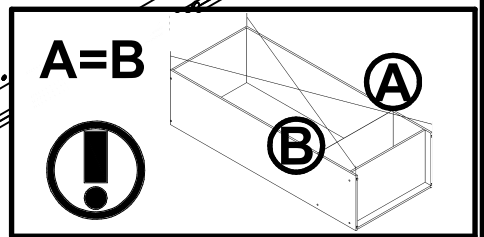
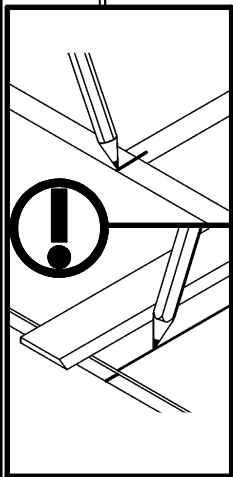
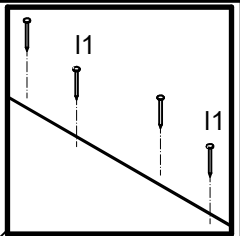
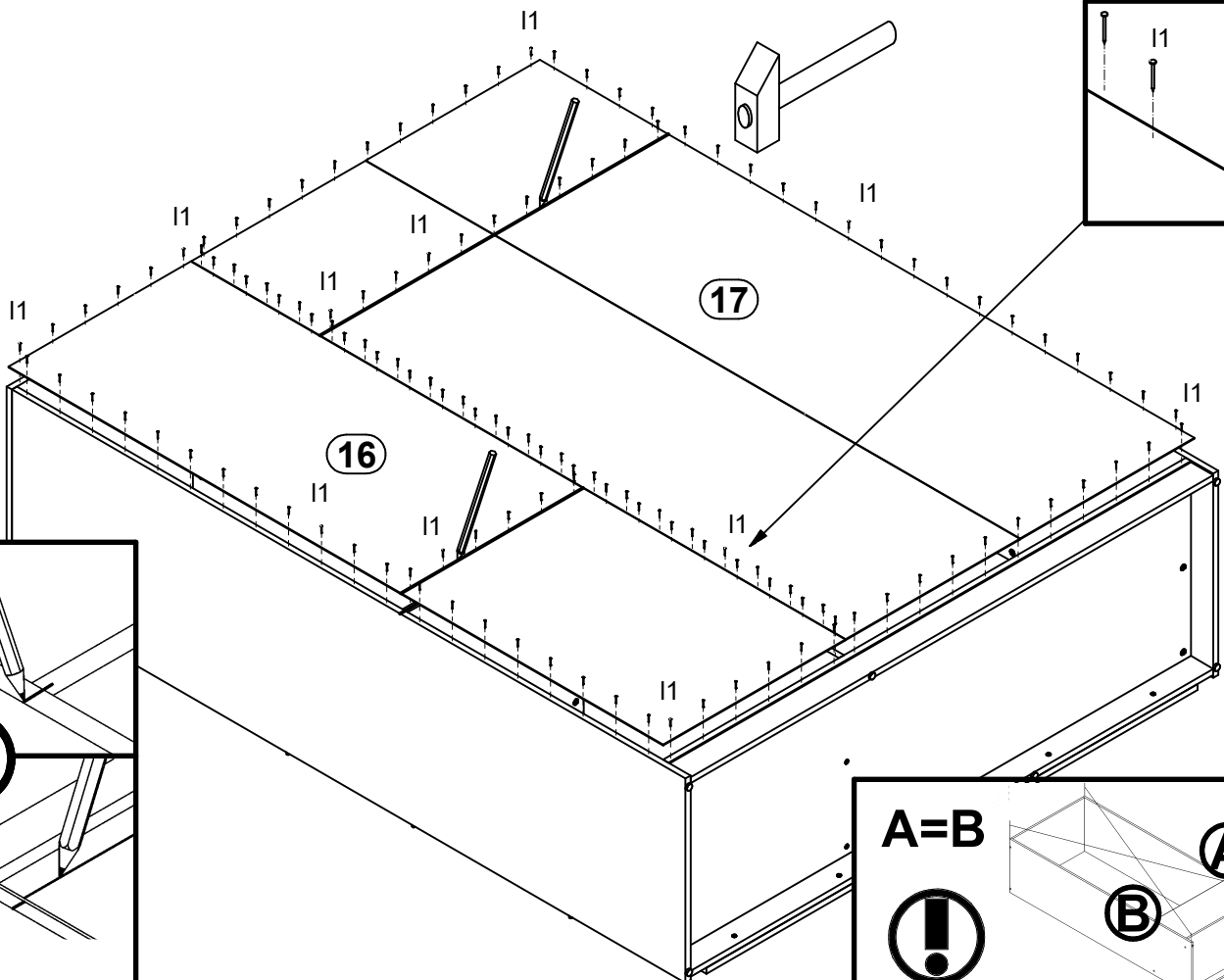
3



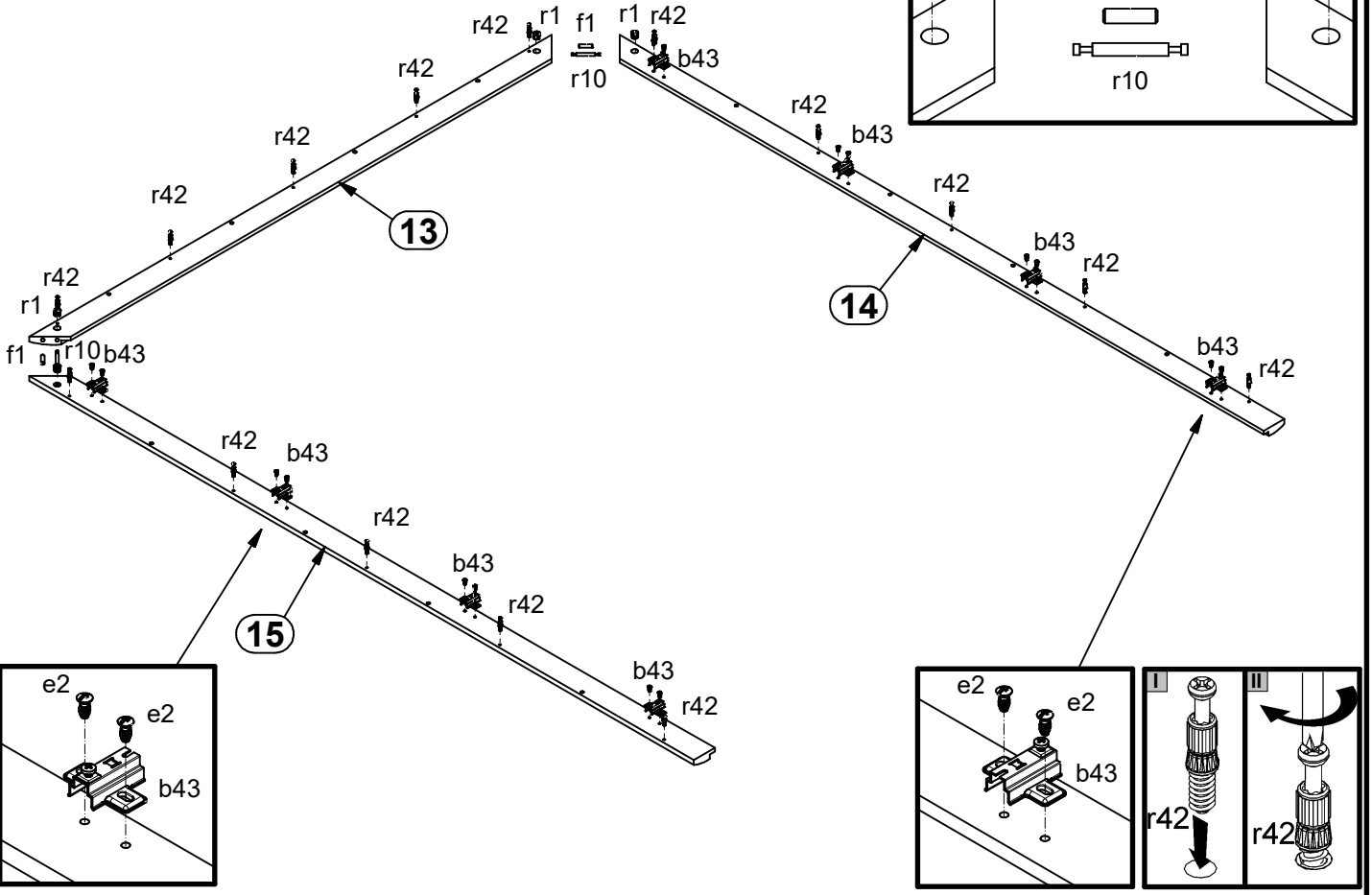
4



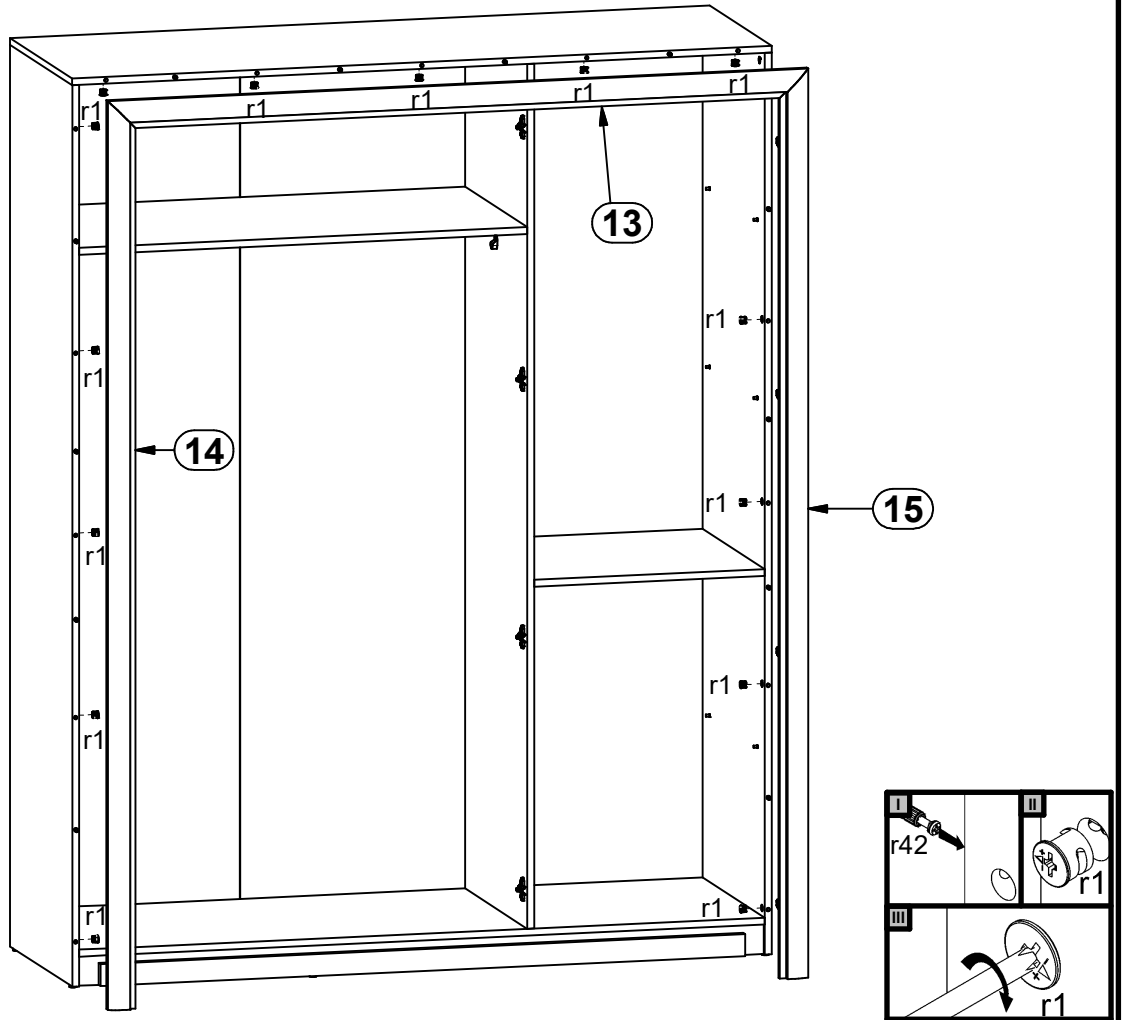
5



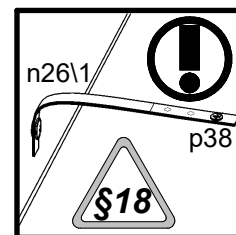
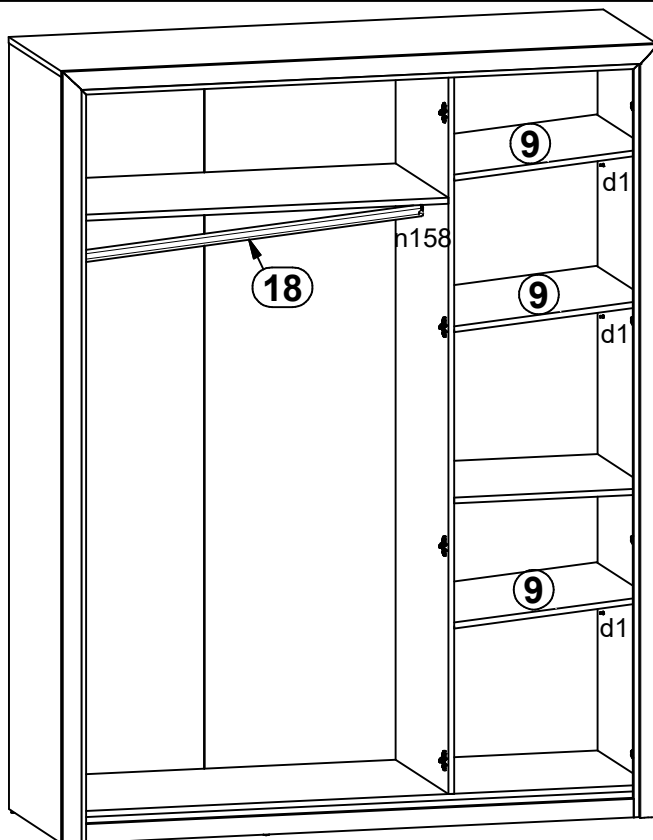
6



7



8



9

