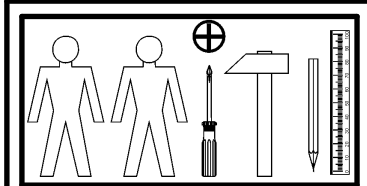
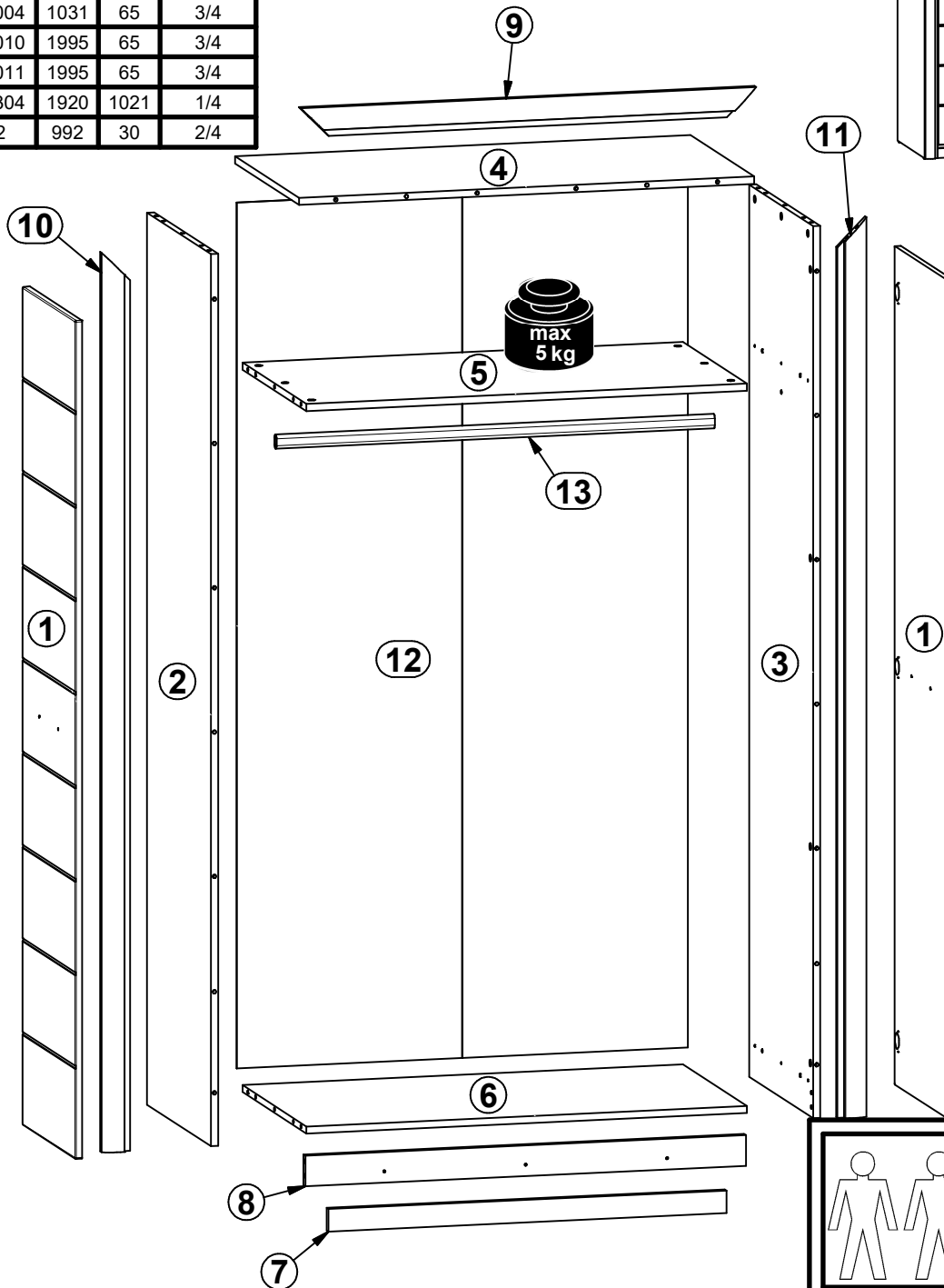
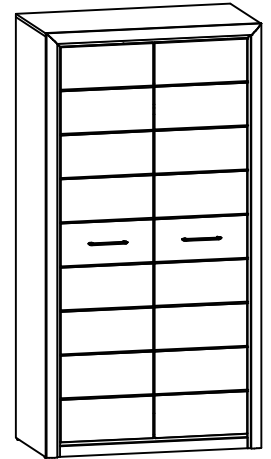
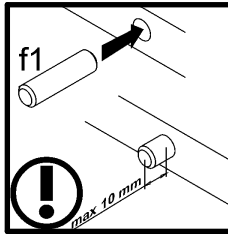
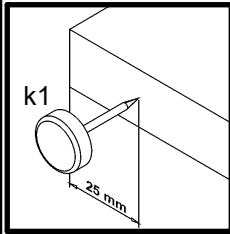
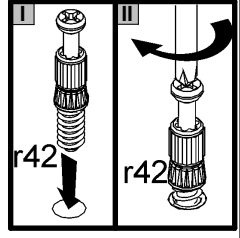
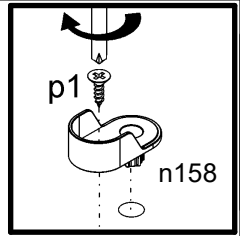
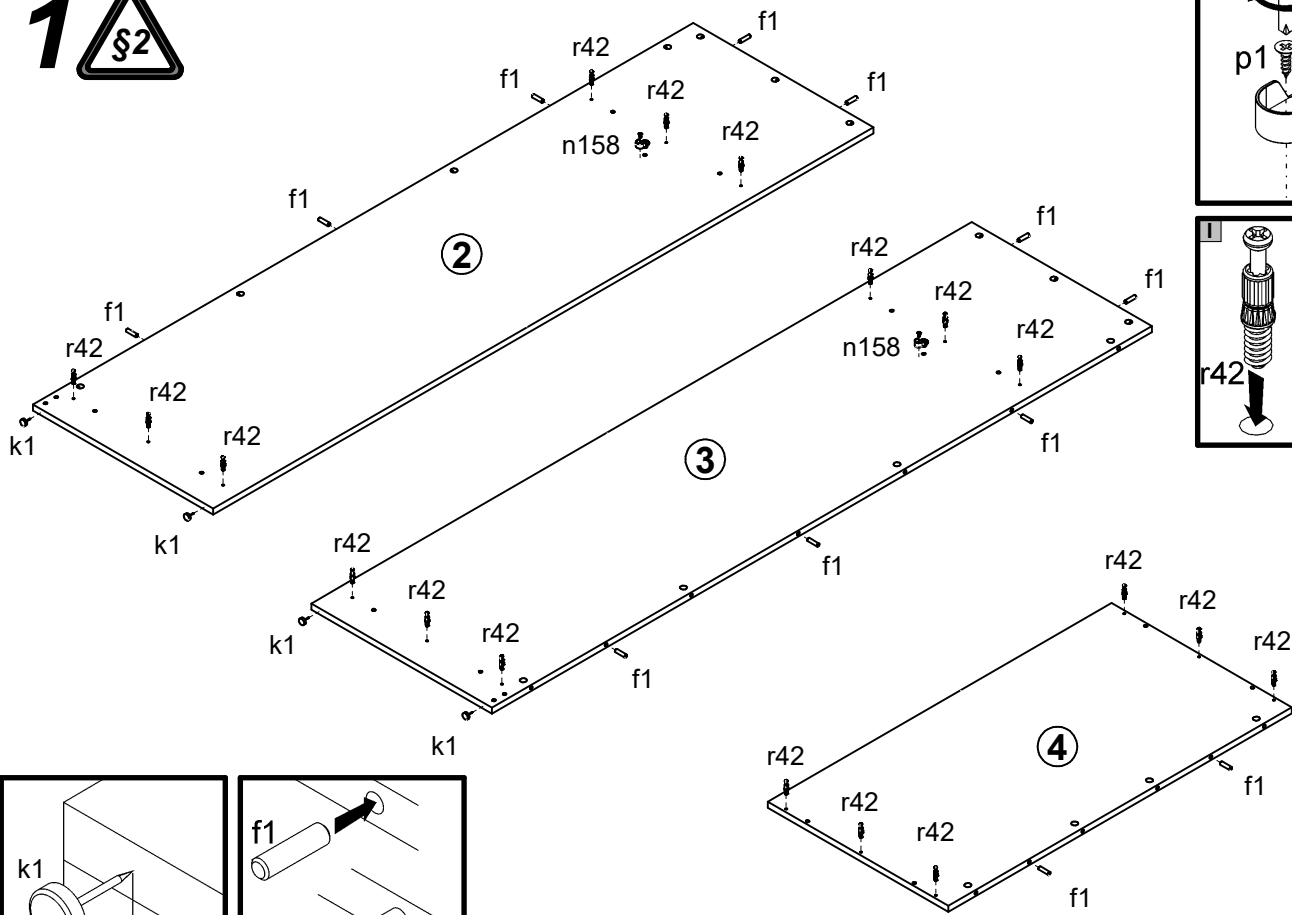


A	B	C	D	
1	S337-0008	446	1859	4/4
2	S337-1012	1978	540	1/4
3	S337-1013	1978	540	1/4
4	S337-2004	1030	540	2/4
5	S337-3006	997	540	2/4
6	S337-3022	997	540	2/4
7	S337-4004	901	50	2/4
8	S337-4010	997	68	2/4
9	S337-5004	1031	65	3/4
10	S337-5010	1995	65	3/4
11	S337-5011	1995	65	3/4
12	S337-9304	1920	1021	1/4
13	dr-992	992	30	2/4

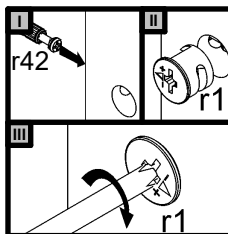
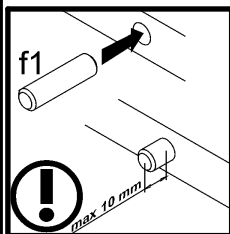
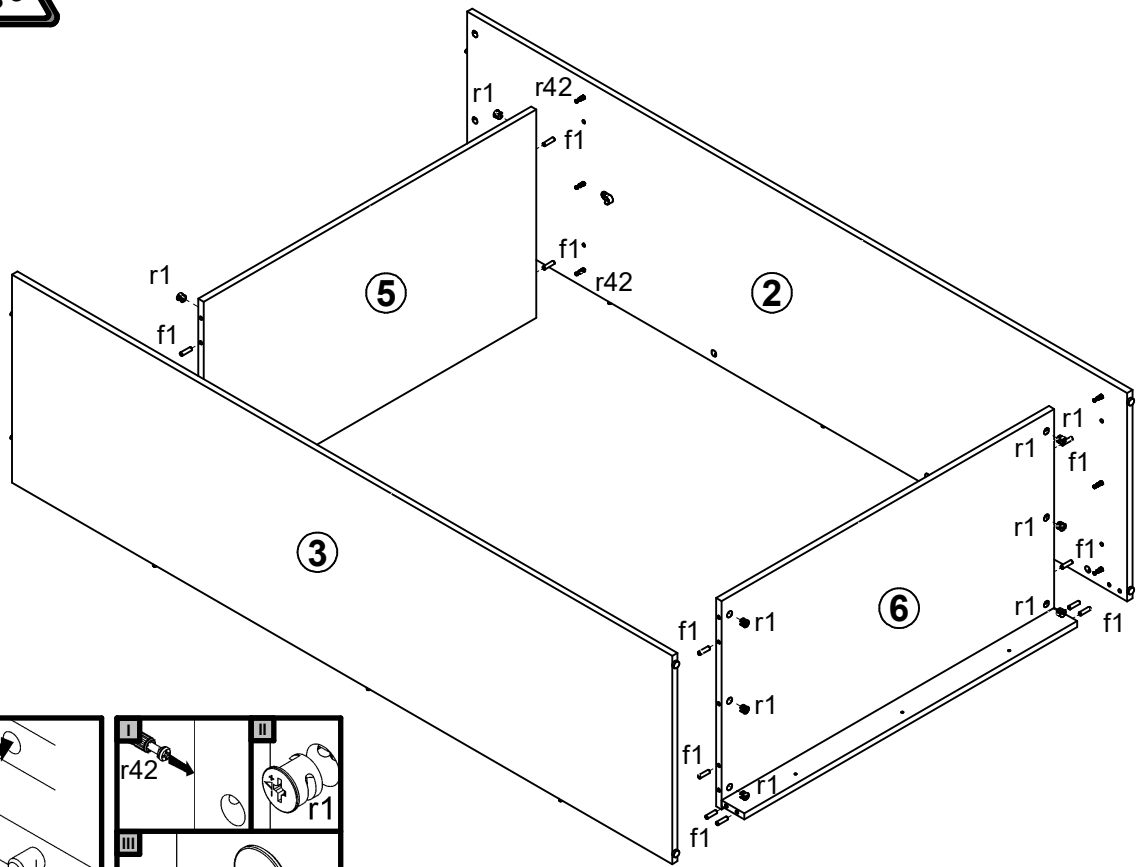


6x a99	6x b43	2x c431	12x e2	26x f1	4x j30	4x k1	60x l1	1x n26
2x n158	2x p1	1x p38	12x p51	3x p94	34x r1	2x r10	30x r42	24x s2

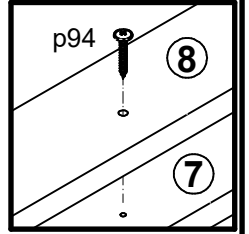
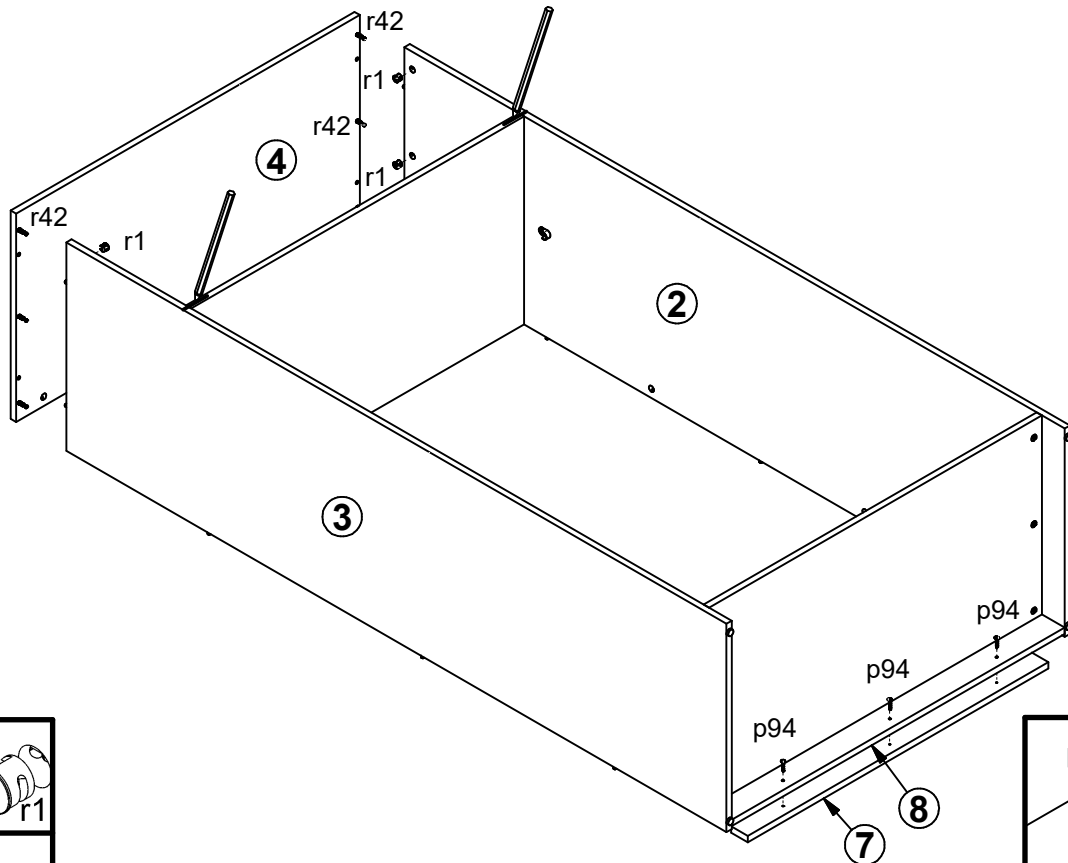
1



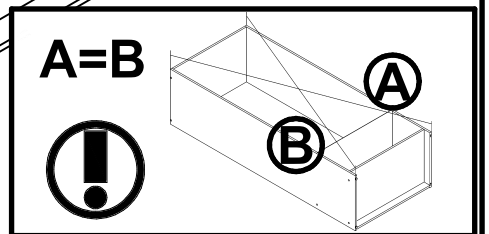
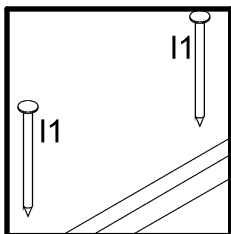
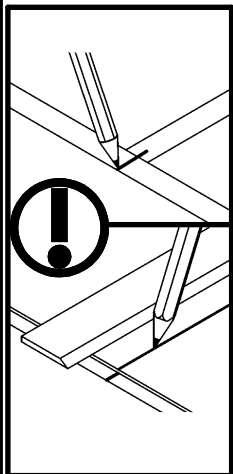
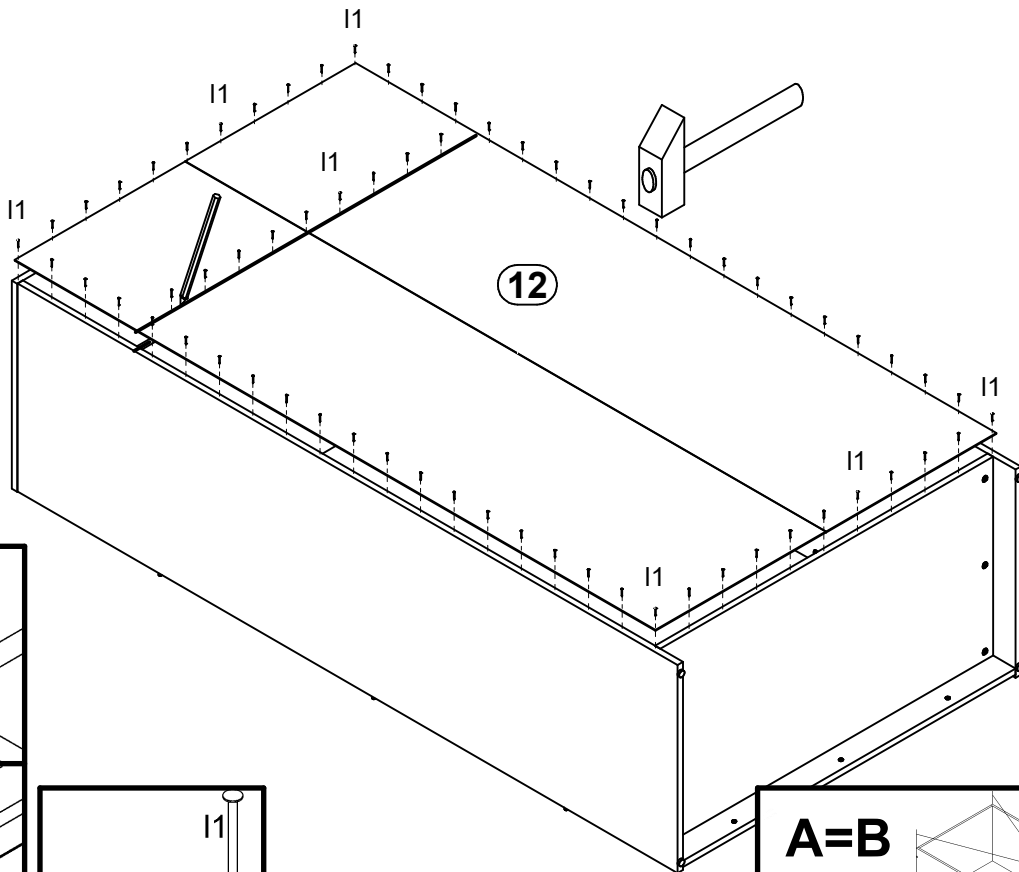
2



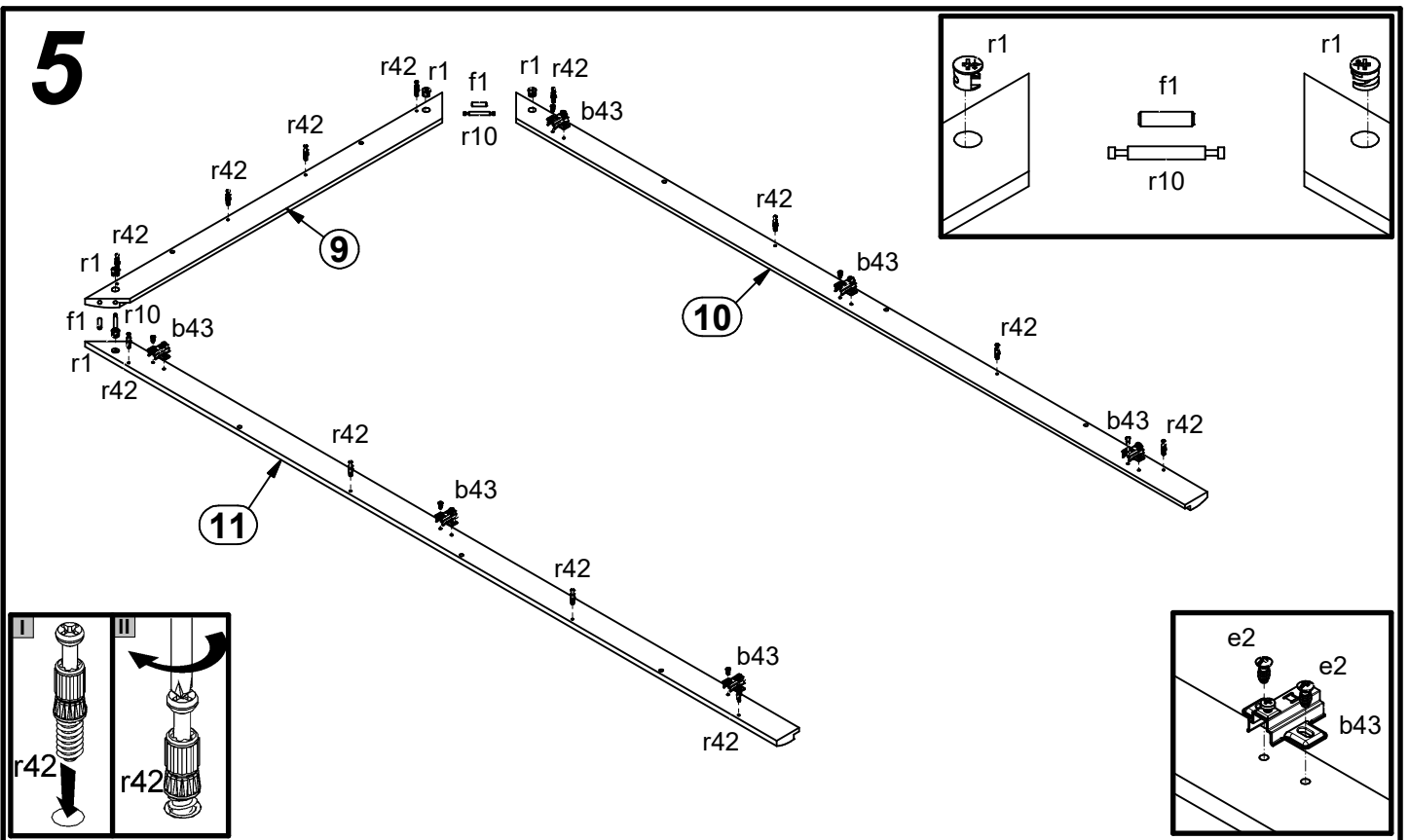
3



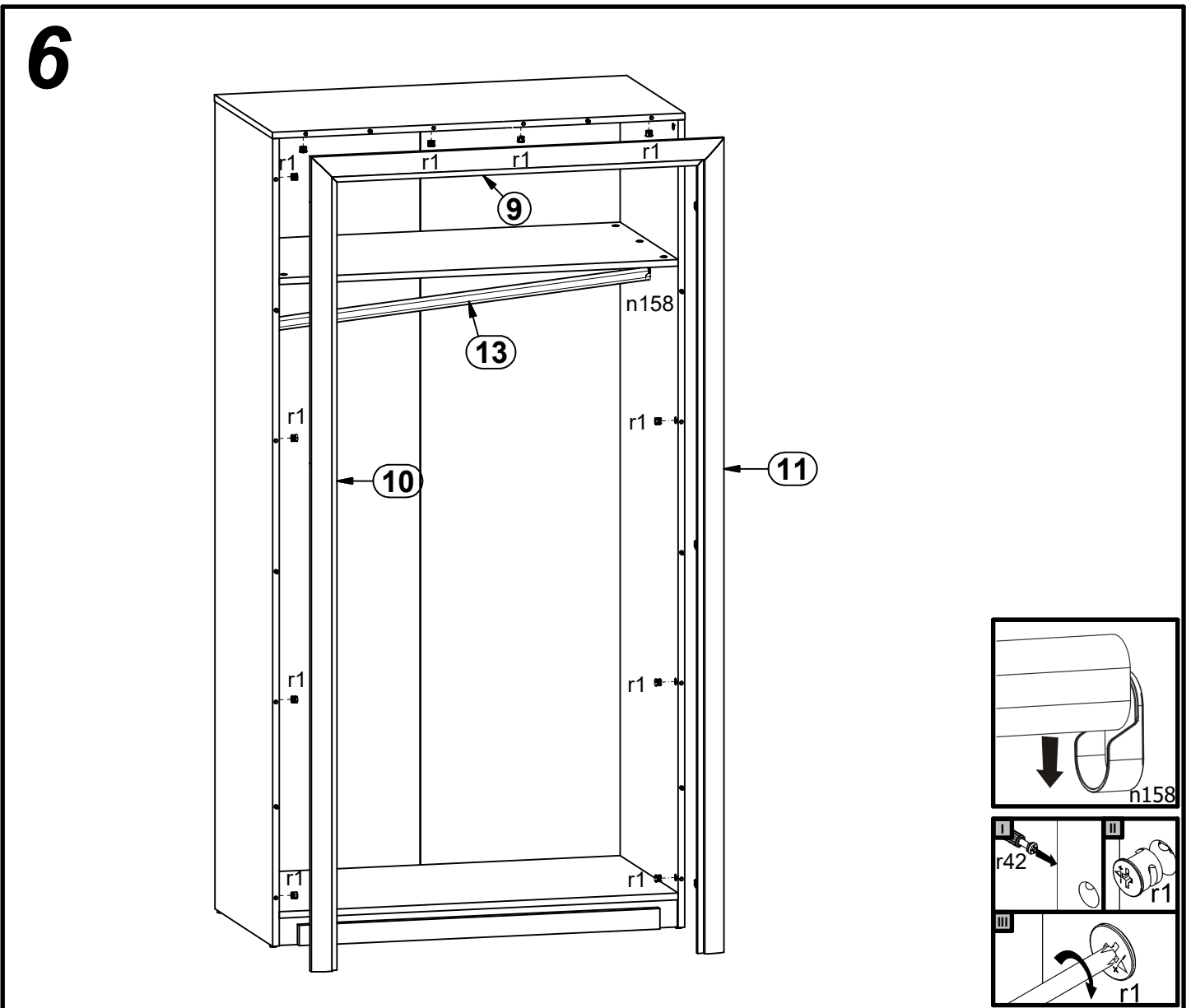
4



5



6



7

