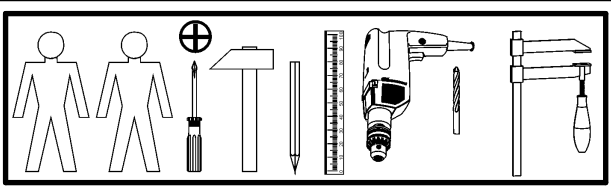
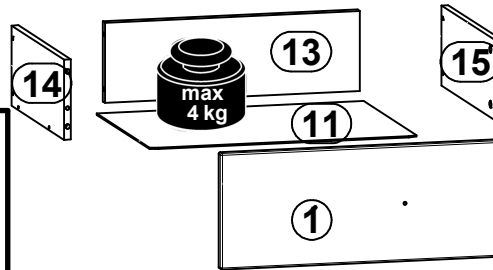
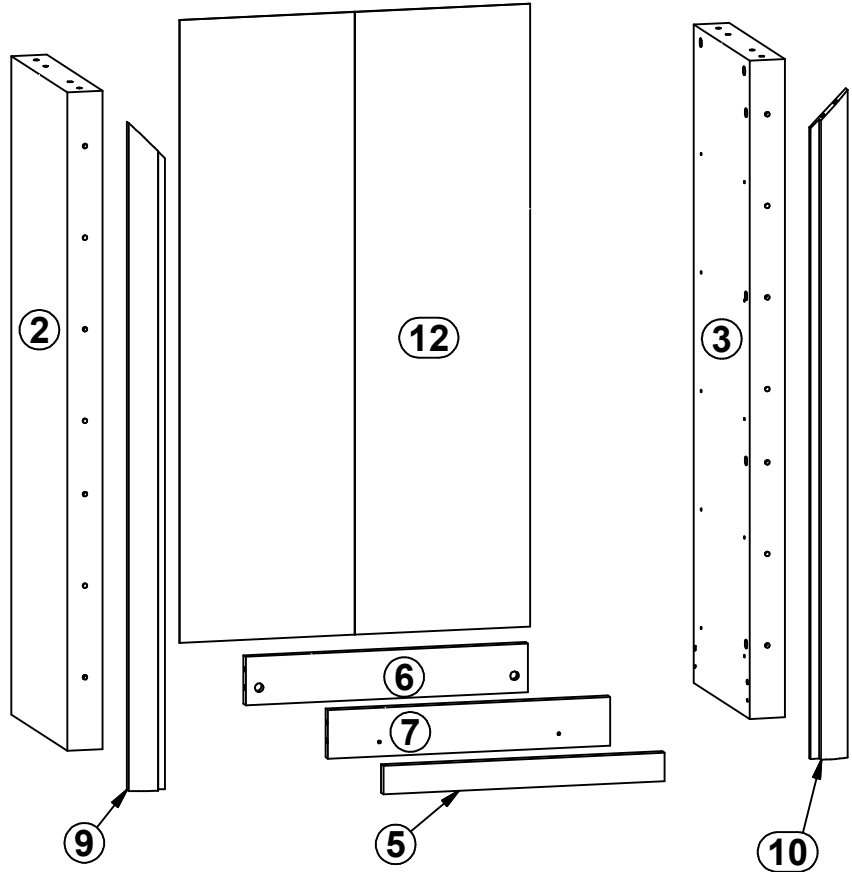
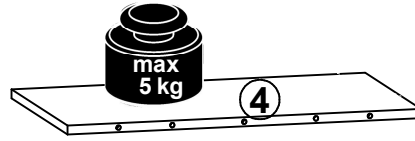
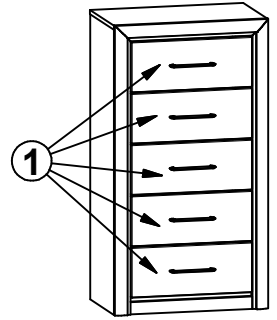
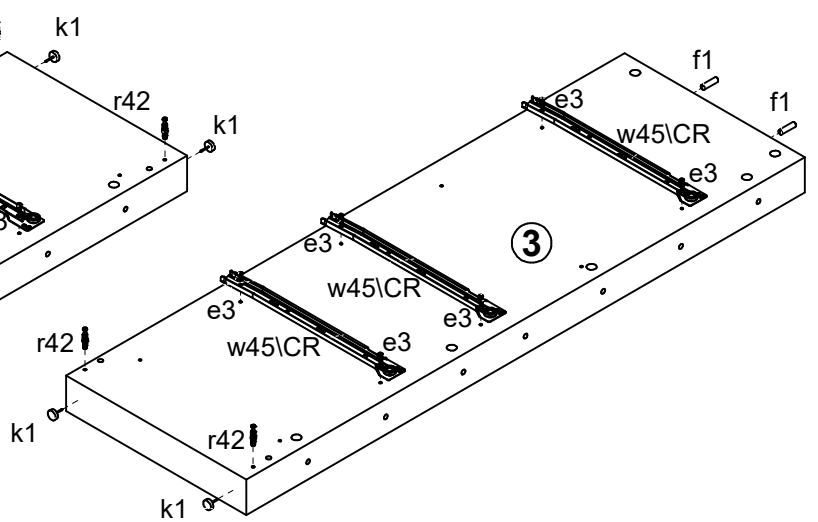
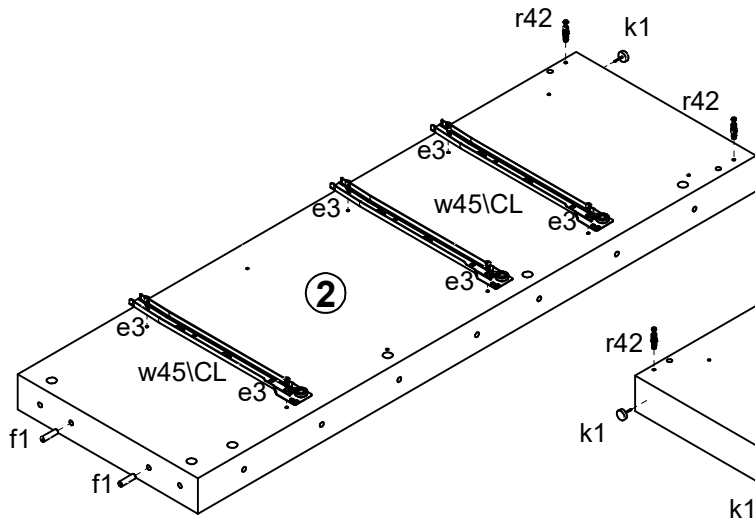
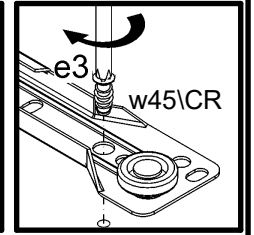
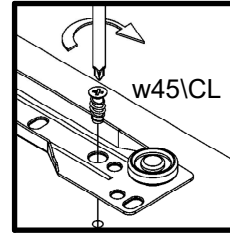
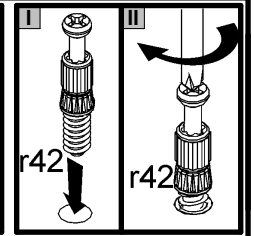
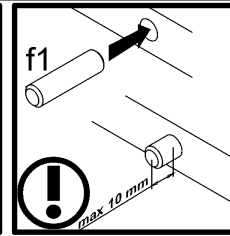
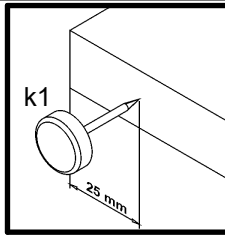
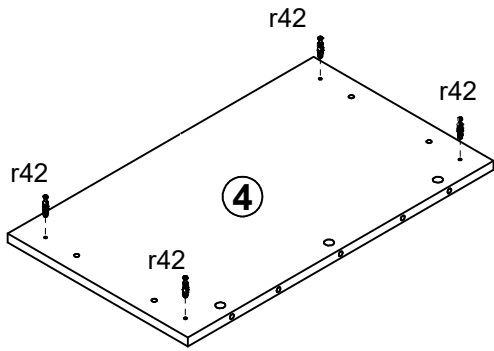


A	B	C	D
1	S337-0018	496	203
2	S337-1029	1150	371
3	S337-1030	1150	371
4	S337-2009	630	371
5	S337-4012	501	50
6	S337-4020	503	85
7	S337-4021	503	85
8	S337-5013	631	65
9	S337-5032	1167	65
10	S337-5033	1167	65
11	S337-9011	476	355
12	S337-9308	1088	625
13	ZS3-5684	454	140
14	ZS4-531	350	140
15	ZS4-532	350	140

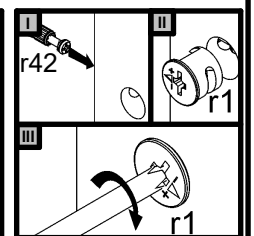
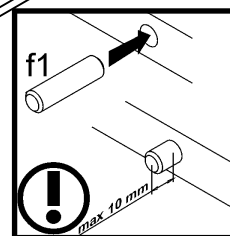
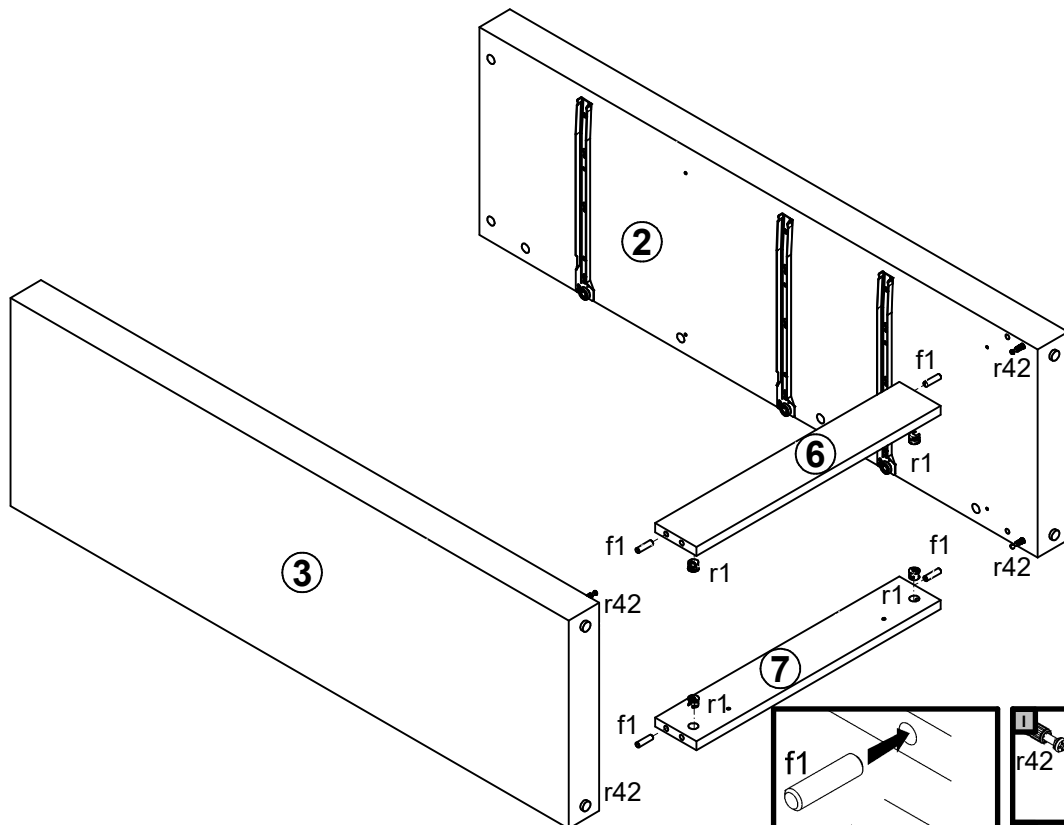


5x 160 mm <b>c431</b>	20x Ø6x13 mm <b>e3</b>	20x Ø5x9 mm <b>e19</b>	18x Ø8x30 mm <b>f1</b>	10x Ø6x30 mm <b>f9</b>	20x Ø6.5x40 mm <b>f25</b>	10x M4x22 mm <b>j30</b>	4x <b>k1</b>	30x <b>l1</b>
24x Ø3.5x16 mm <b>p38</b>	2x Ø4x28 mm <b>p94</b>	23x Ø15x12 mm #16 <b>r1</b>	2x <b>r10</b>	20x Ø12x10.5 mm #12 <b>r15</b>	39x 20x11 <b>r42</b>	5x 350 mm <b>w45\CL</b>	5x 350 mm <b>w45\CR</b>	5x 350 mm <b>w45\DL</b>
5x 350 mm <b>w45\DR</b>	4x Ø15 <b>s51</b>							
							1x <b>n26\1</b>	1x Ø3.5x16 mm <b>p38</b>

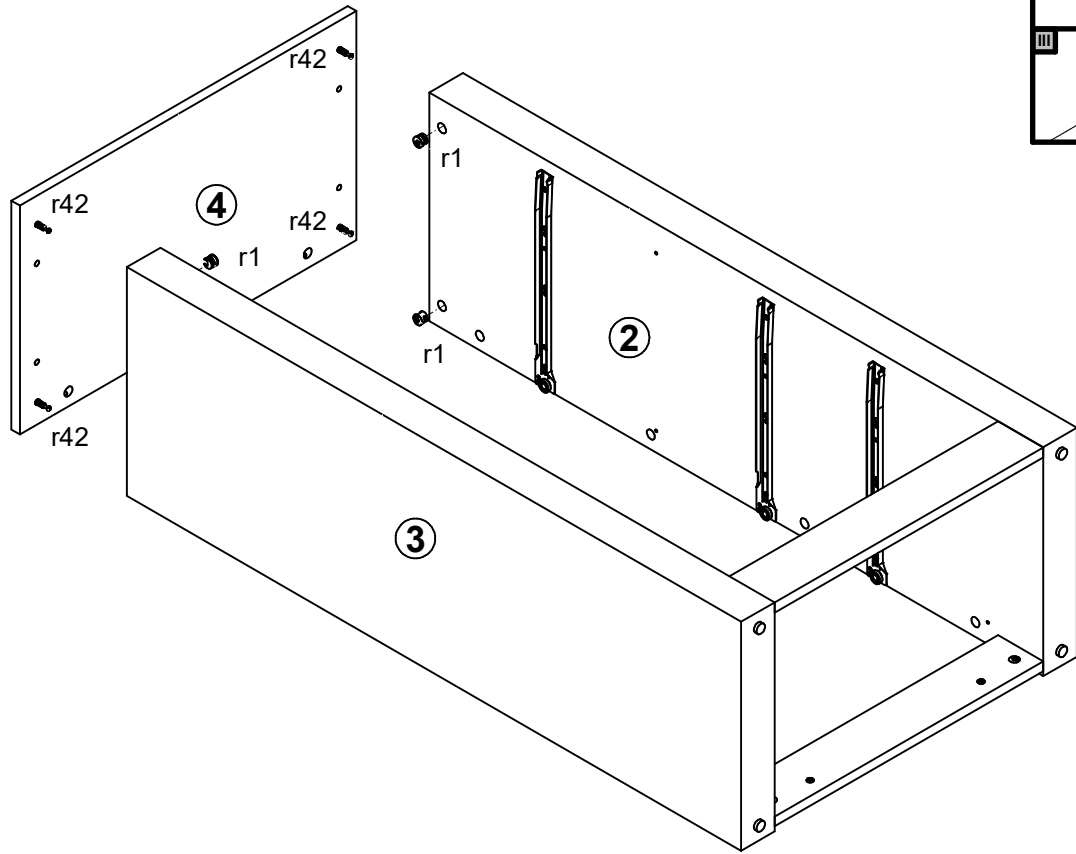
# 1



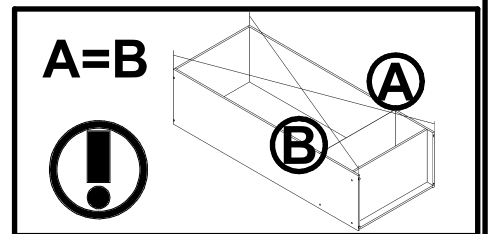
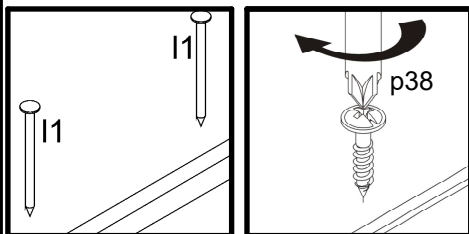
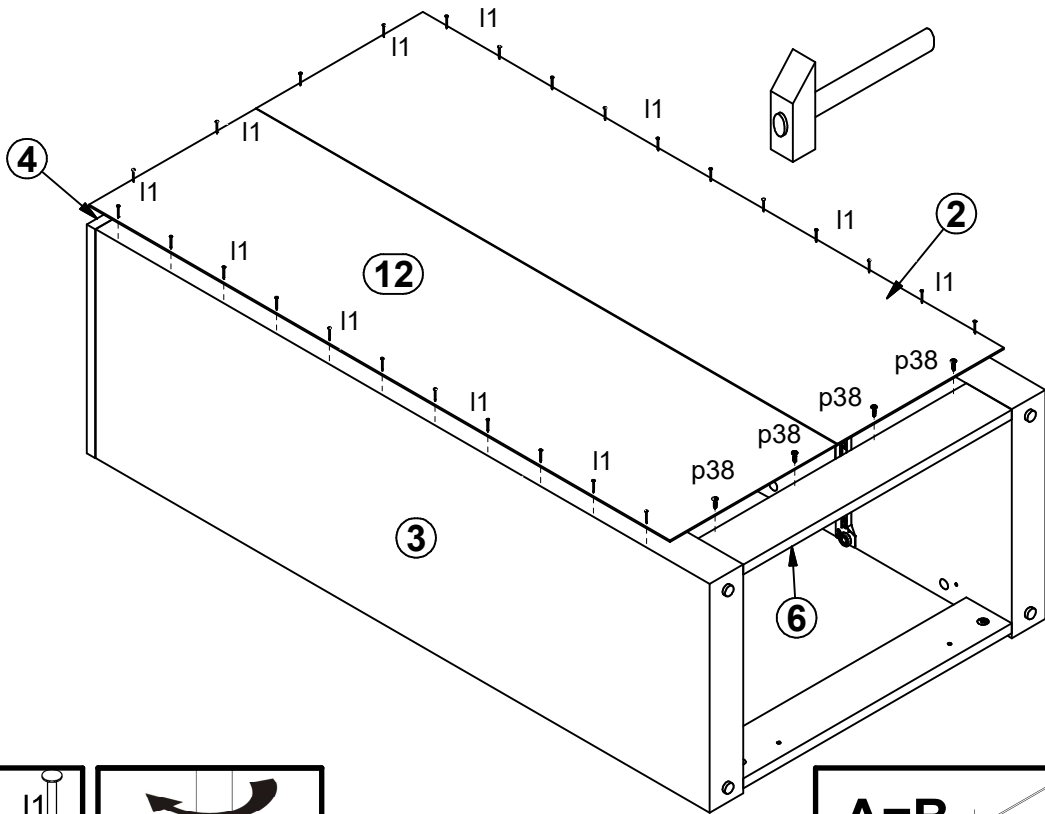
# 2



# 3

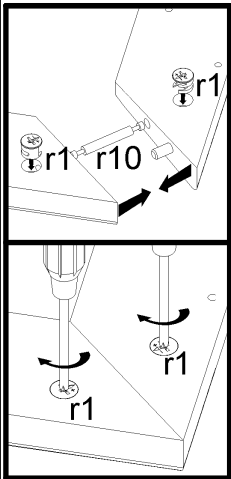
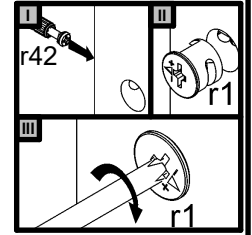
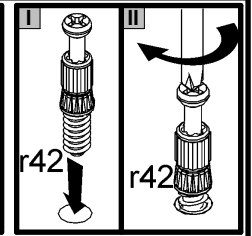
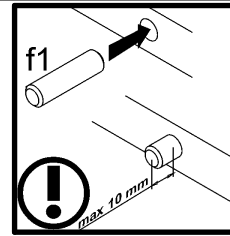
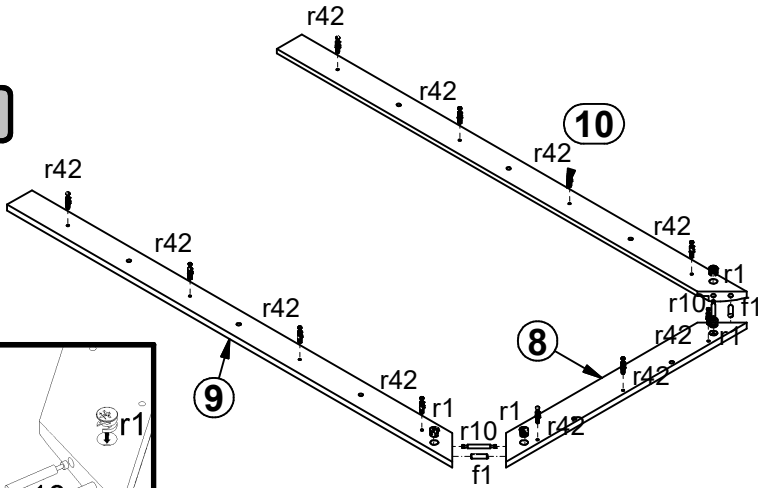


# 4

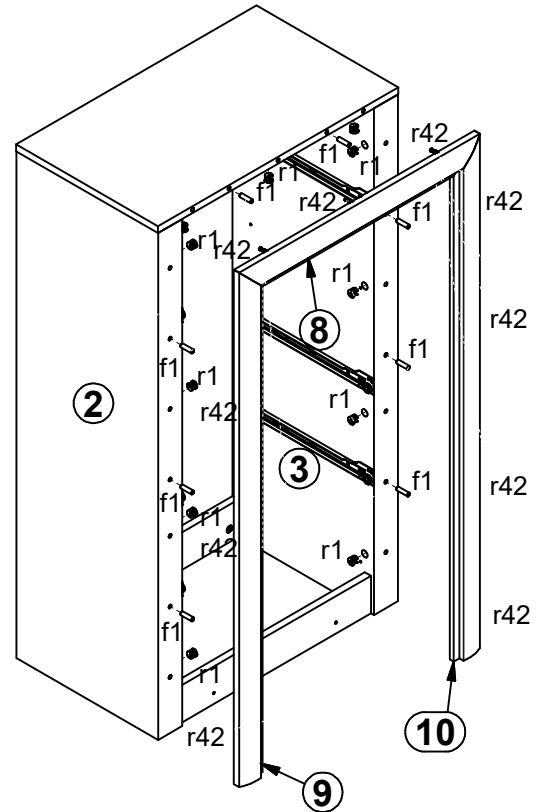


# 5

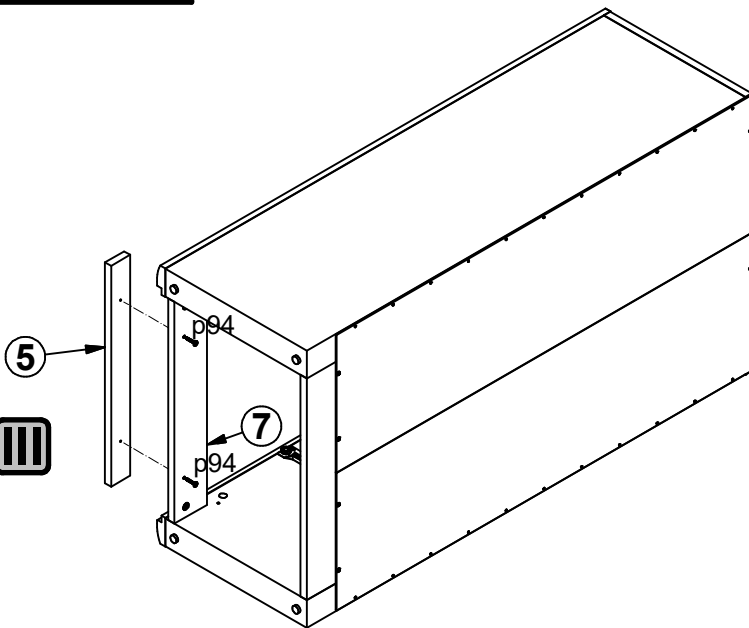
**I**



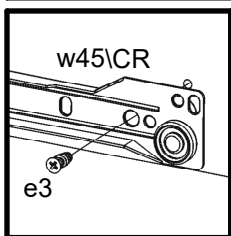
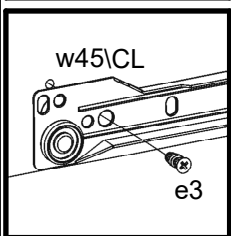
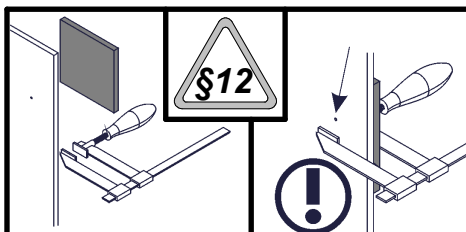
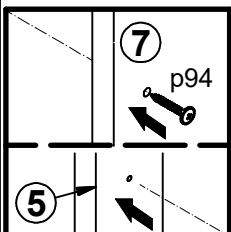
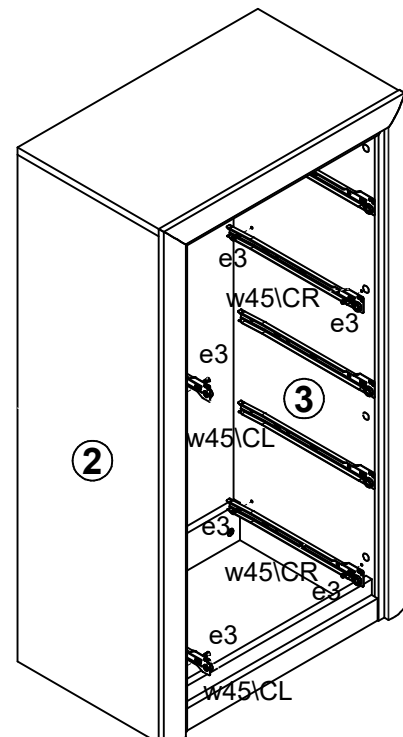
**II**



**III**



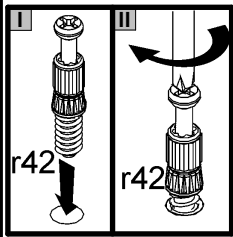
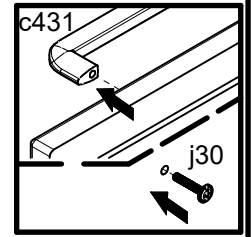
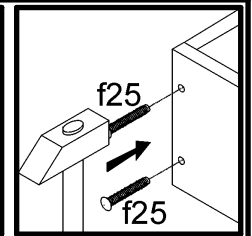
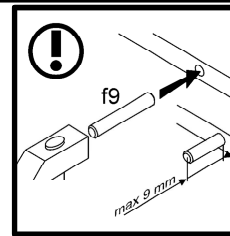
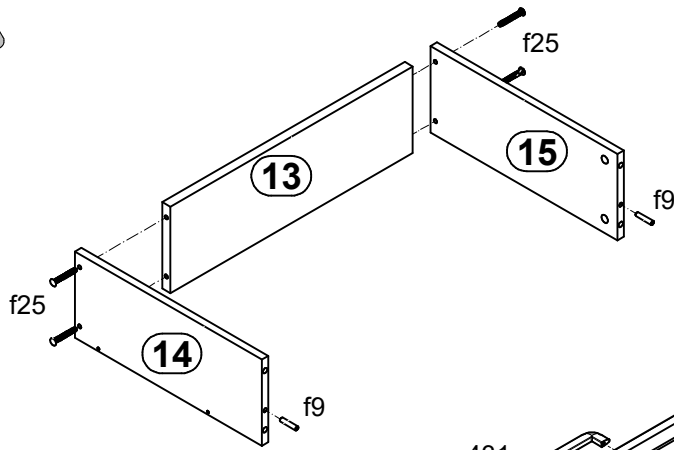
**IV**



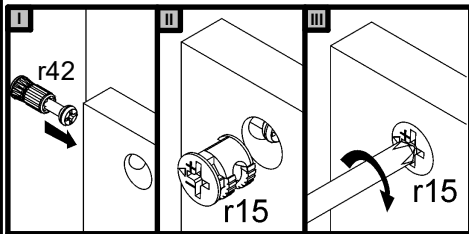
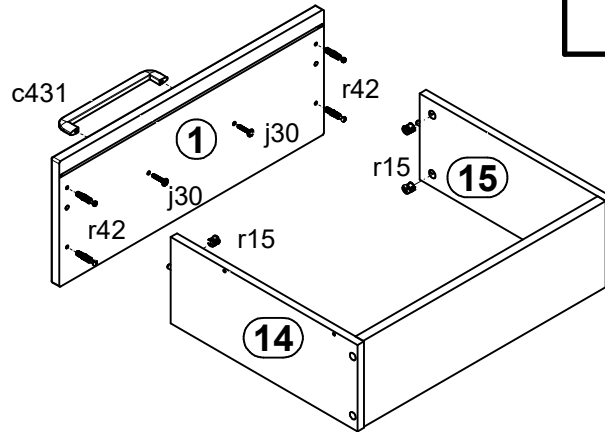
# 6



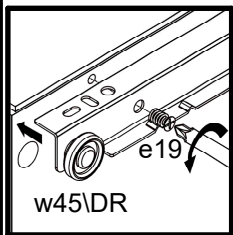
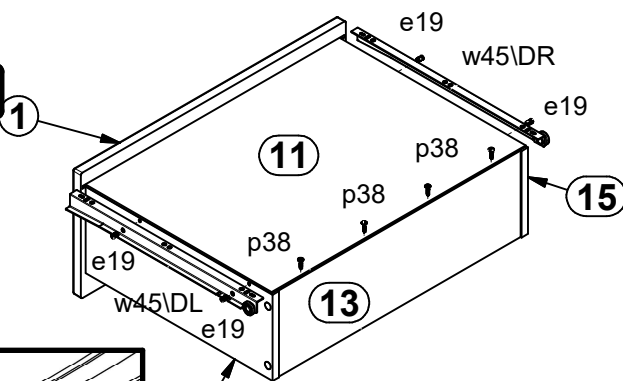
## I



## II



## III



## IV

