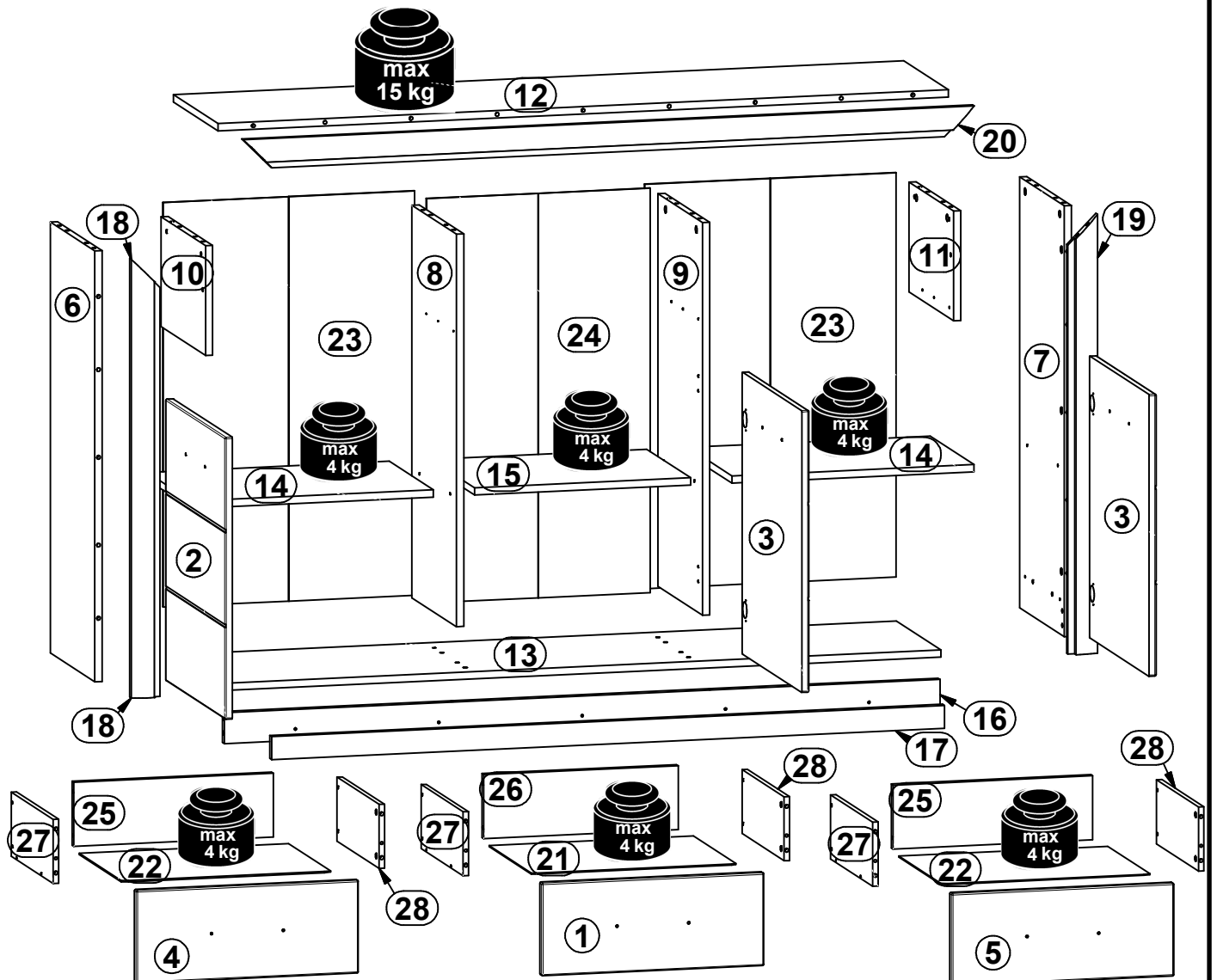
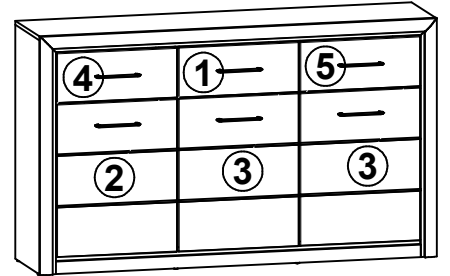
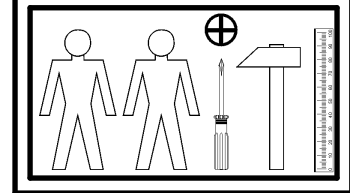


# A

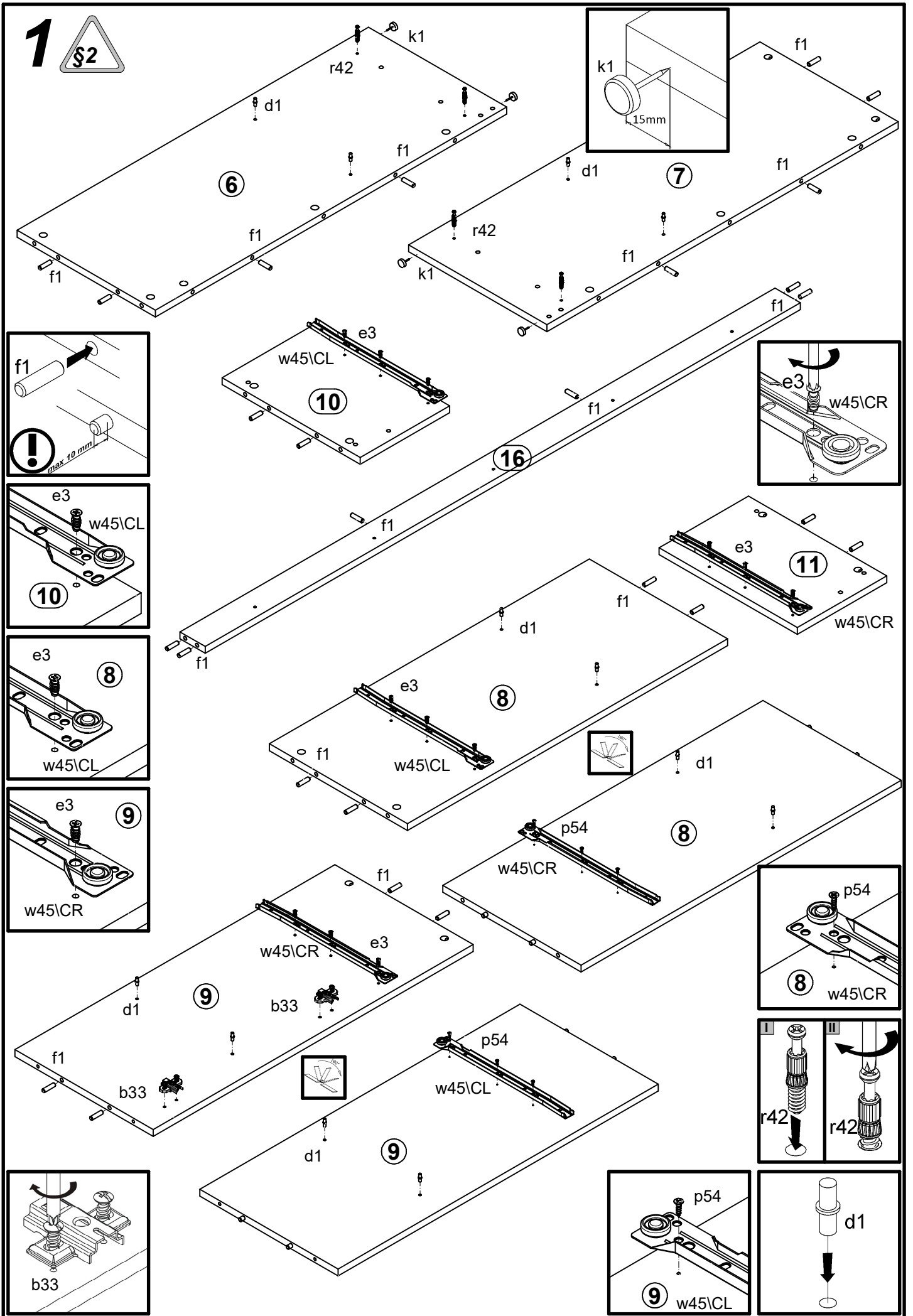
# KOEN 2

# S337-KOM3D3S

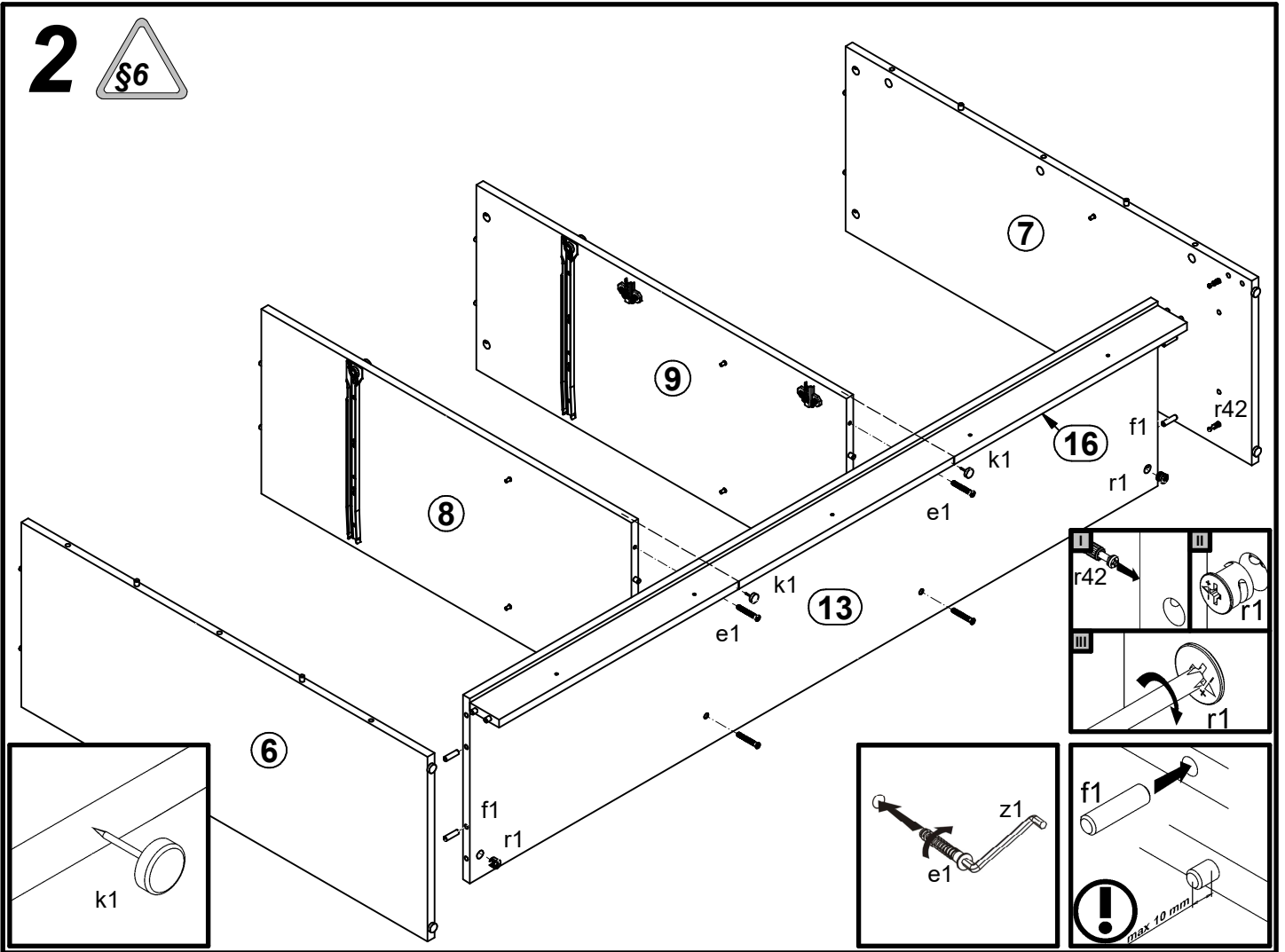
A	B	C	D	A	B	C	D		
1	S337-0003	496	203	4/4	15	S337-3005	482	366	1/4
2	S337-0004	496	617	4/4	16	S337-4007	1597	68	2/4
3	S337-0005	496	617	4/4	17	S337-4009	1501	50	2/4
4	S337-0006	496	203	4/4	18	S337-5007	960	65	3/4
5	S337-0007	496	203	4/4	19	S337-5008	960	65	3/4
6	S337-1006	943	371	1/4	20	S337-5009	1631	65	3/4
7	S337-1007	943	371	1/4	21	S337-9004	456	355	1/4
8	S337-1008	859	371	1/4	22	S337-9005	467	355	1/4
9	S337-1009	859	371	1/4	23	S337-9302	885	561	1/4
10	S337-1010	240	371	1/4	24	S337-9303	885	499	1/4
11	S337-1011	240	371	1/4	25	ZS3-5673	445	140	1/4
12	S337-2003	1630	371	2/4	26	ZS3-5674	434	140	1/4
13	S337-3003	1597	371	2/4	27	ZS4-531	350	140	1/4
14	S337-3004	540	366	1/4	28	ZS4-532	350	140	1/4



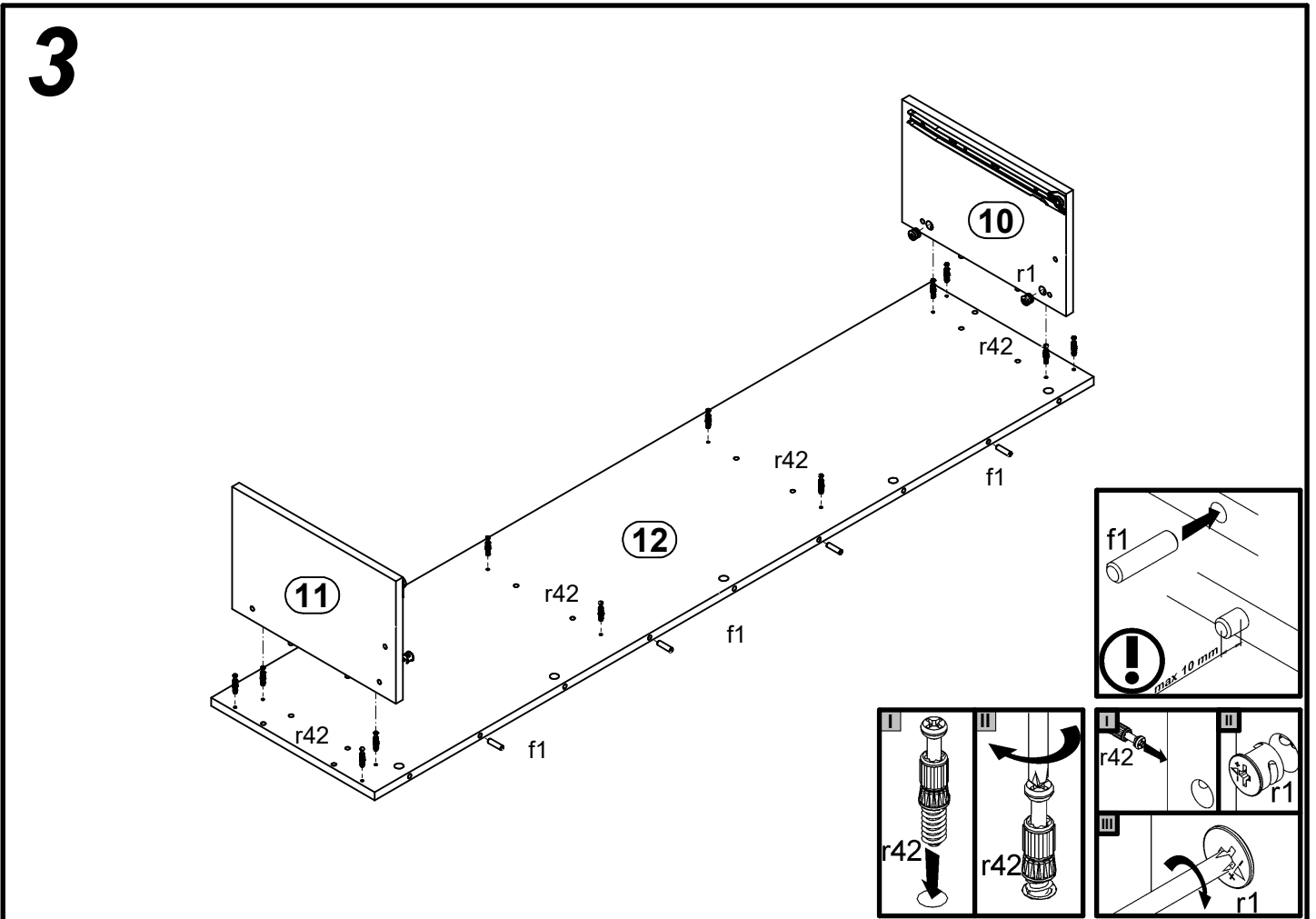
2x  a68	4x  a99	2x  b33	4x  b43	6x  c431 160 mm	12x  d1 Ø5x17 mm	4x  e1 Ø7x50 mm	8x  e2 Ø6,3x13 mm	12x  e3 Ø6x13 mm
12x  e19 Ø5x9 mm	36x  f1 Ø8x30 mm	6x  f9 Ø6x30 mm	12x  f25 Ø6,5x40 mm	12x  j30 M4x22 mm	6x  k1	95x  l1	9x  p38 Ø3,5x16 mm	12x  p51 Ø3,5x15 mm
6x  p54 Ø3x12 mm	5x  p94 Ø4x28 mm	31x  r1 Ø15x12 mm #16	2x  r10	12x  r15 Ø12x10,5 mm #12	39x  r42	3x  w45\CL 350 mm	3x  w45\CR 350 mm	3x  w45\DL 350 mm
3x  w45\DR 350 mm	4x  s2 Ø16	1x  z1				1x  n26\1		1x  p38 Ø3,5x16 mm



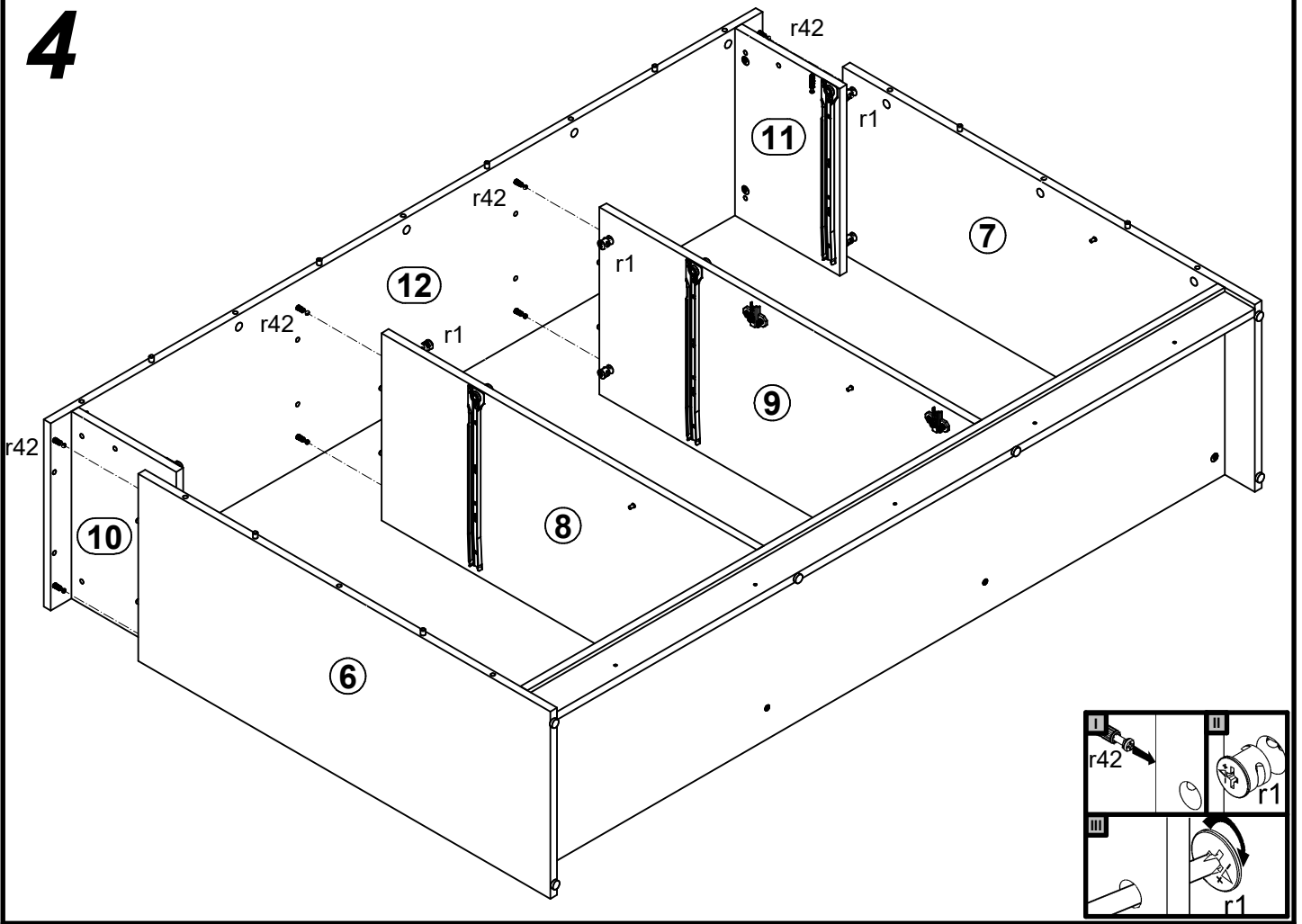
# 2



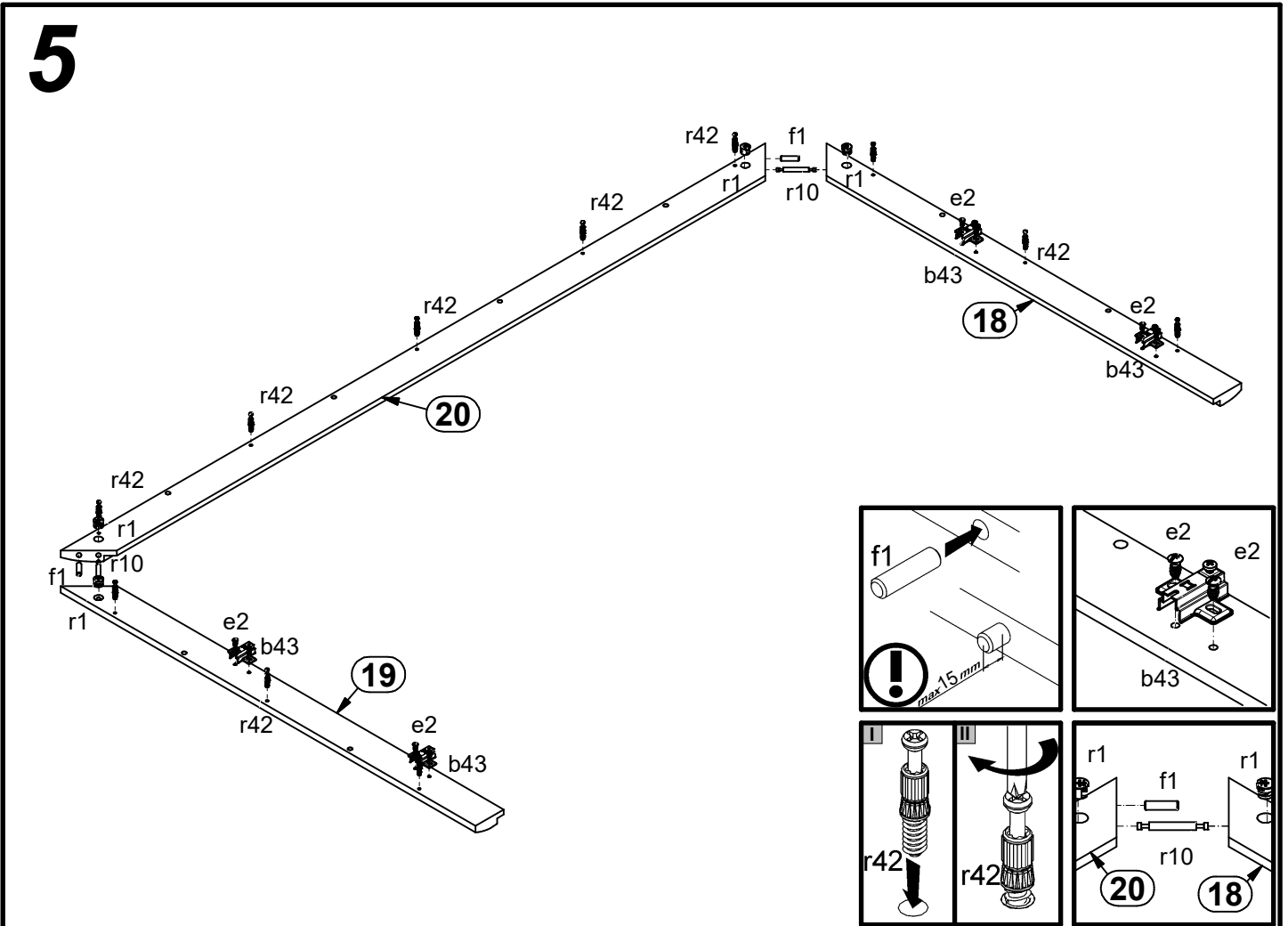
# 3



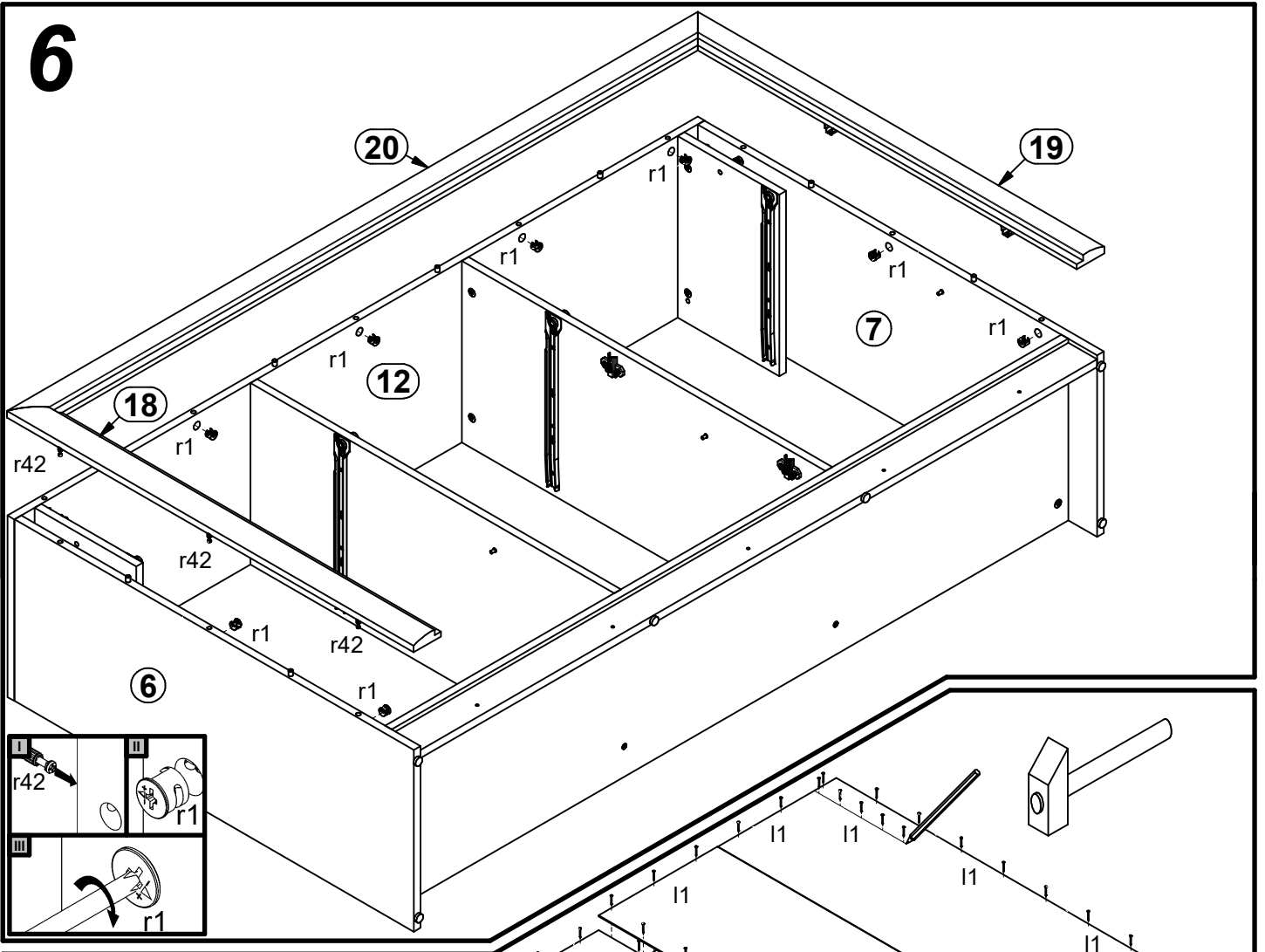
# 4



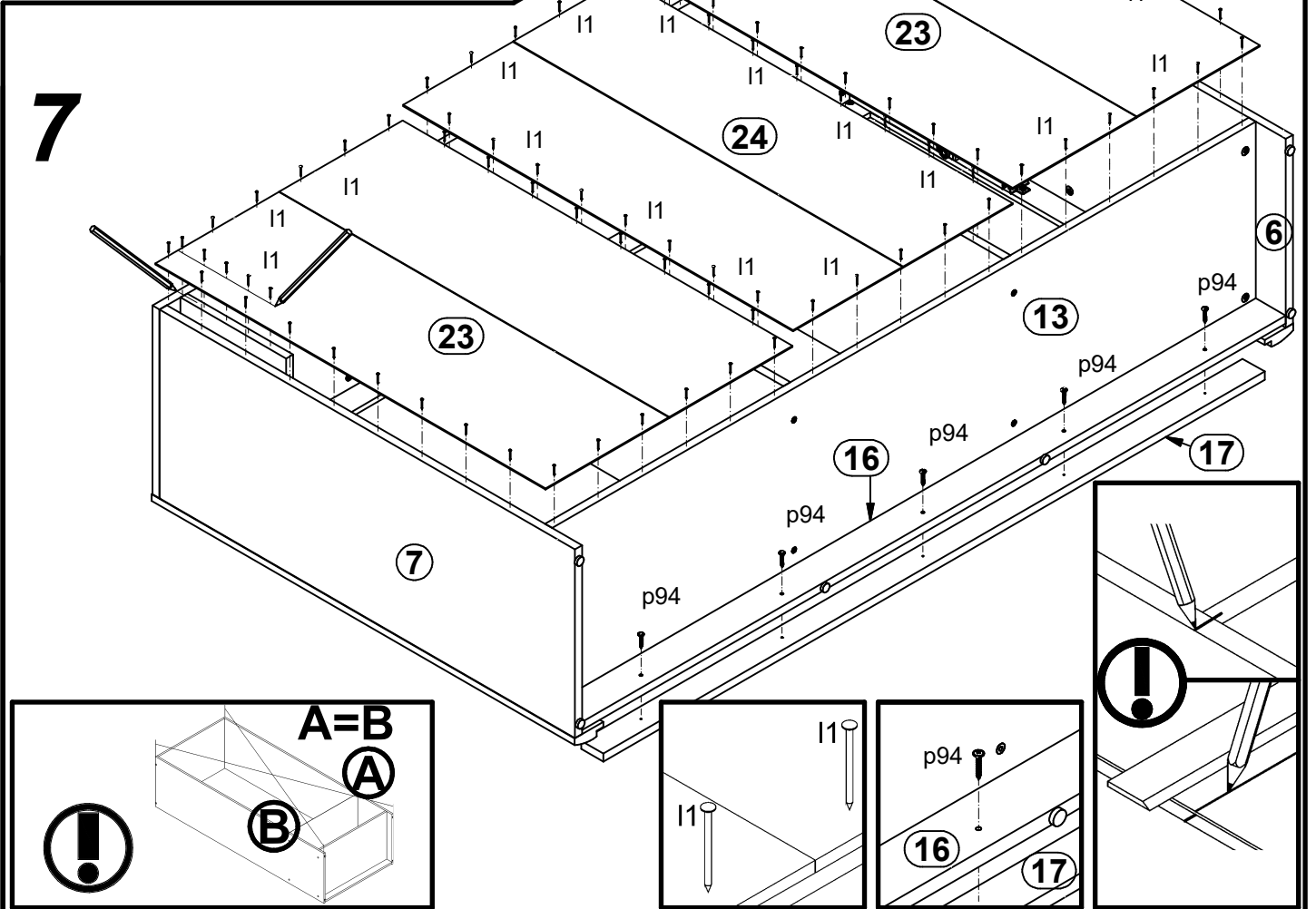
# 5



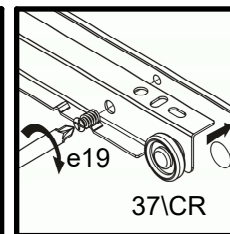
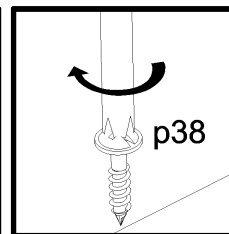
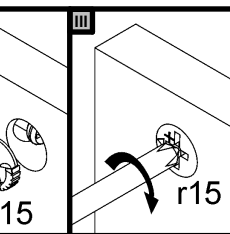
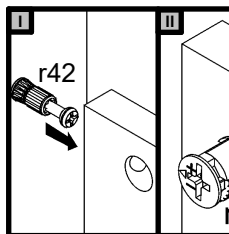
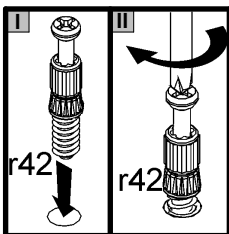
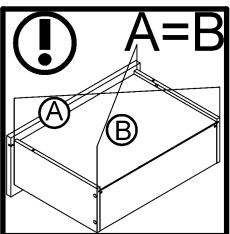
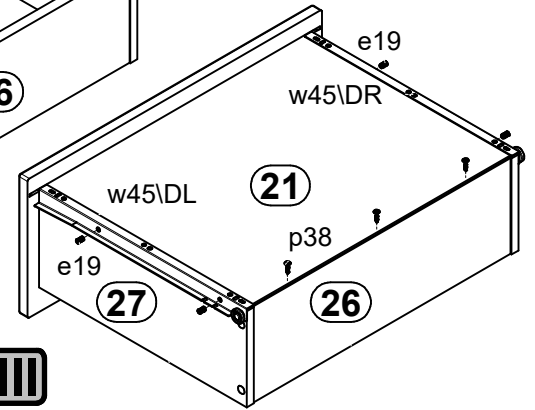
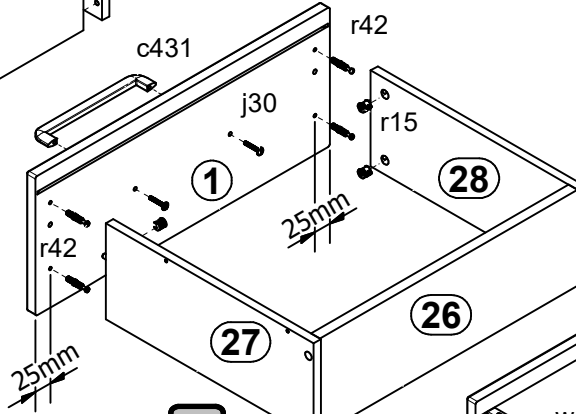
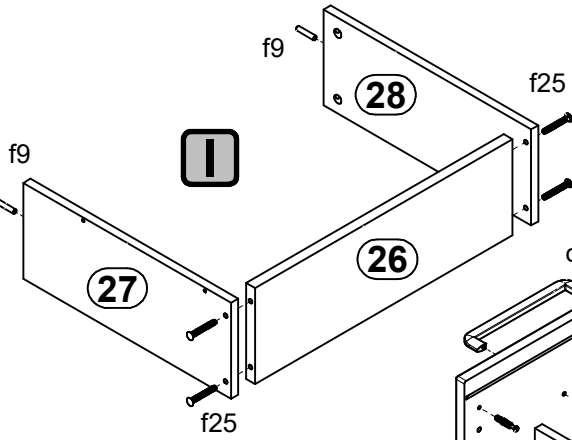
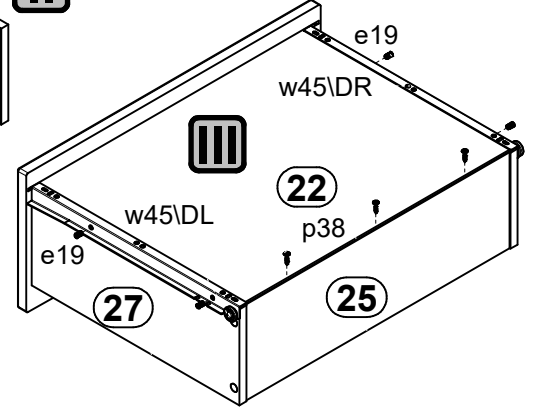
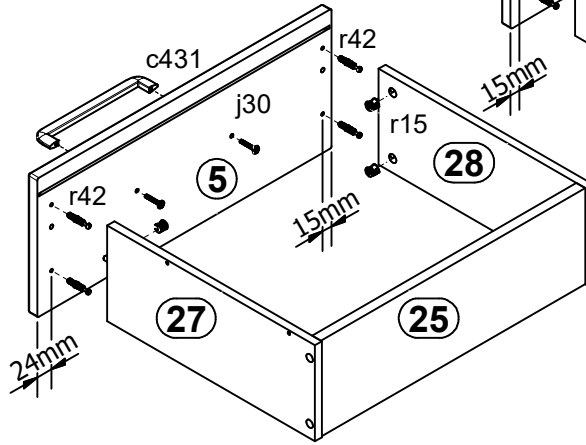
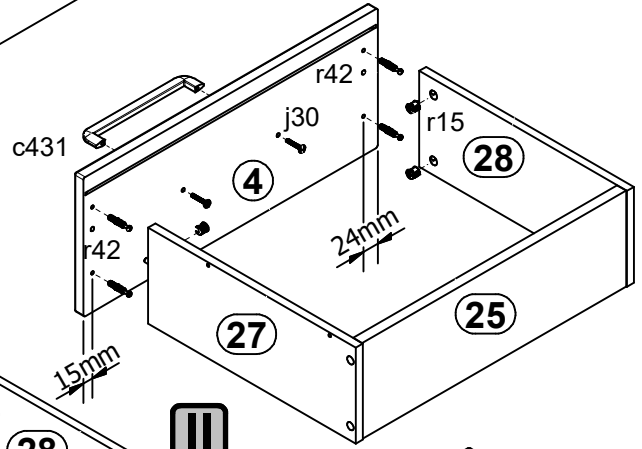
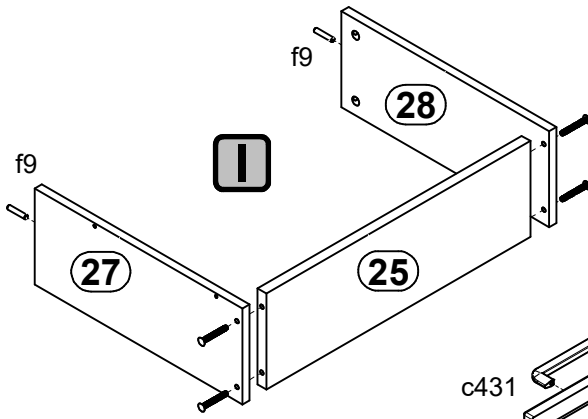
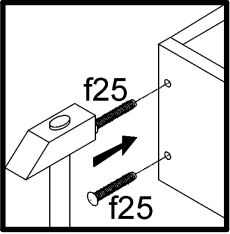
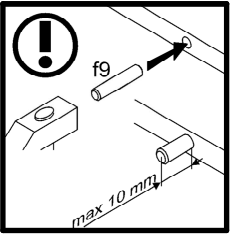
# 6



# 7



# 8



# 9

