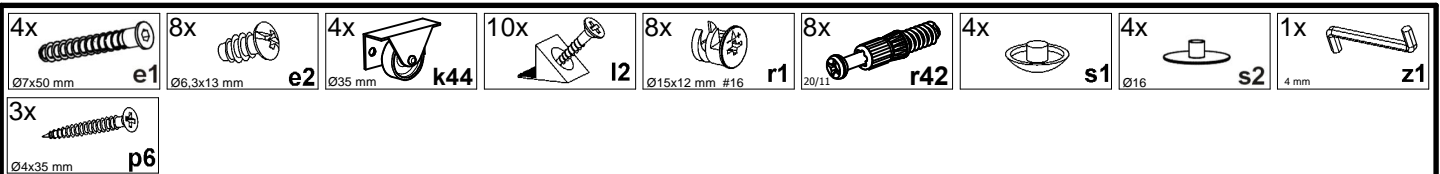
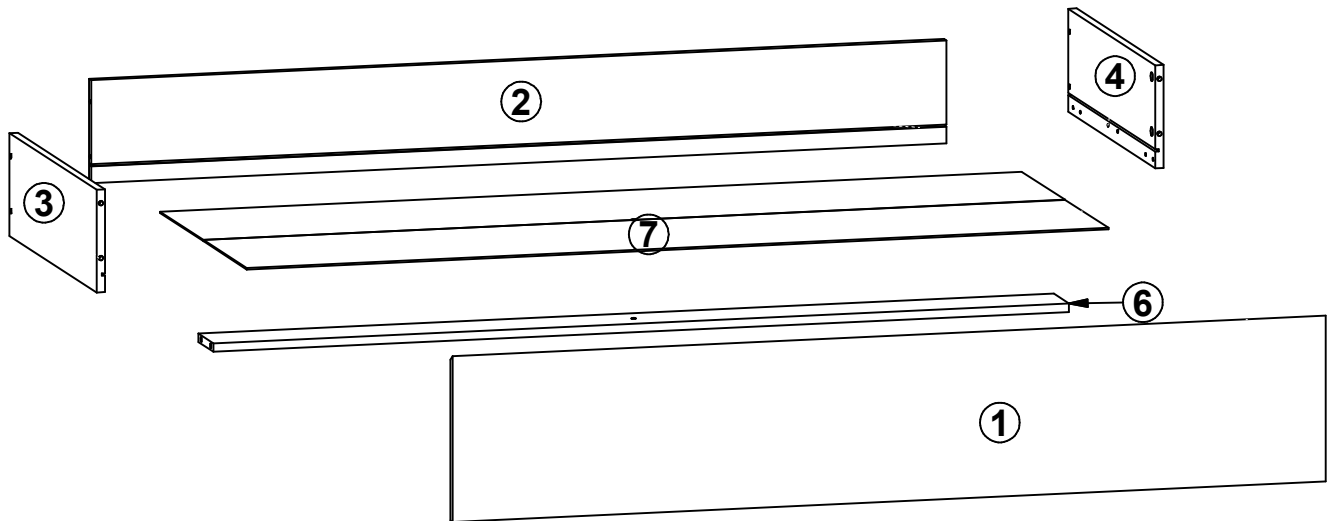
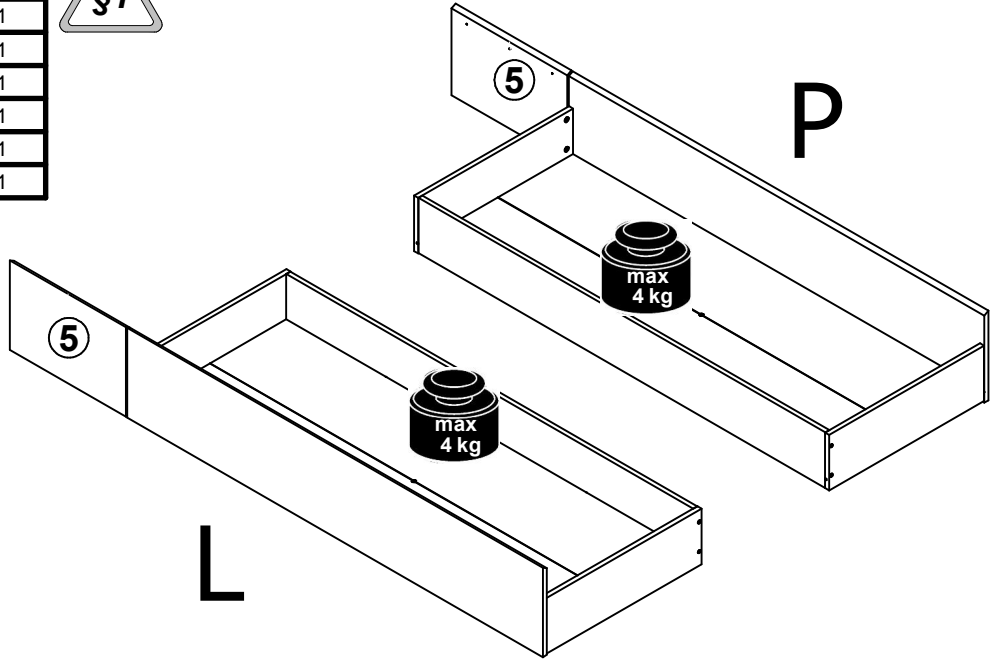
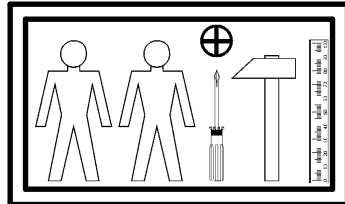
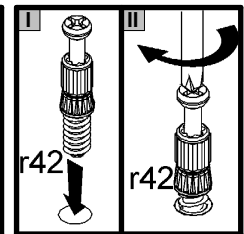
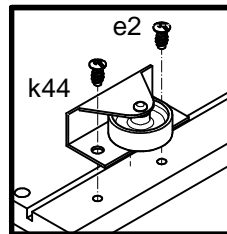
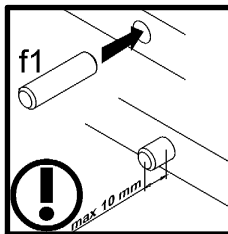
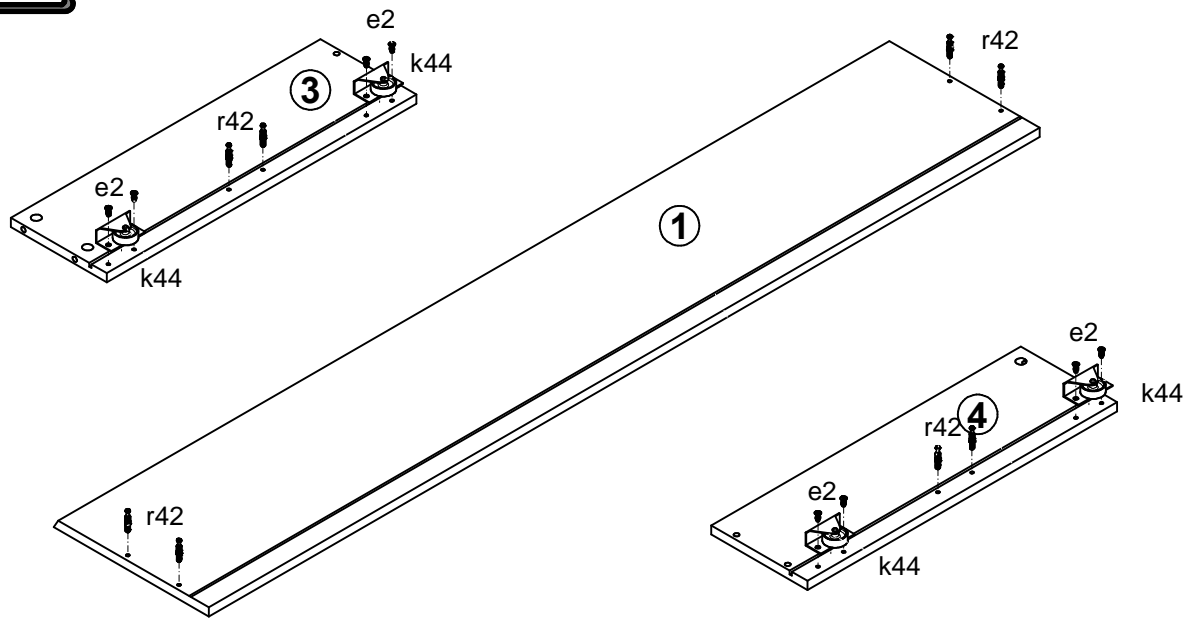


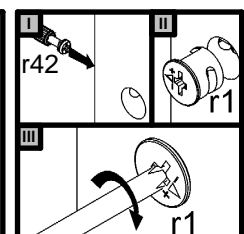
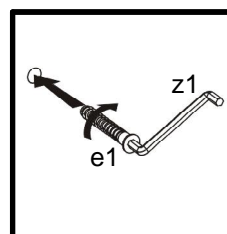
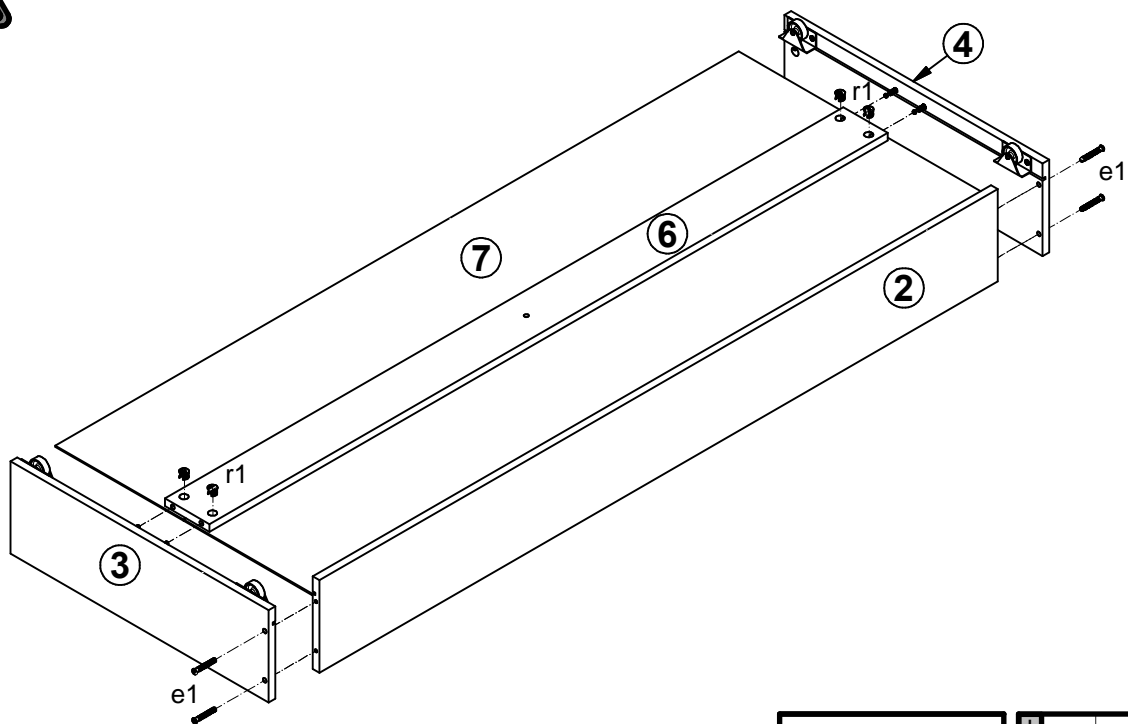
A	B	C	D
1	S508-0019	1556	290
2	S508-5353	1524	180
3	S508-5354	580	180
4	S508-5355	580	180
5	S508-7501	434	290
6	ZZ1-4010	1524	100
7	ZZ1-9309	1535	577



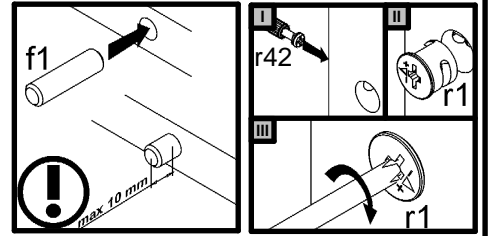
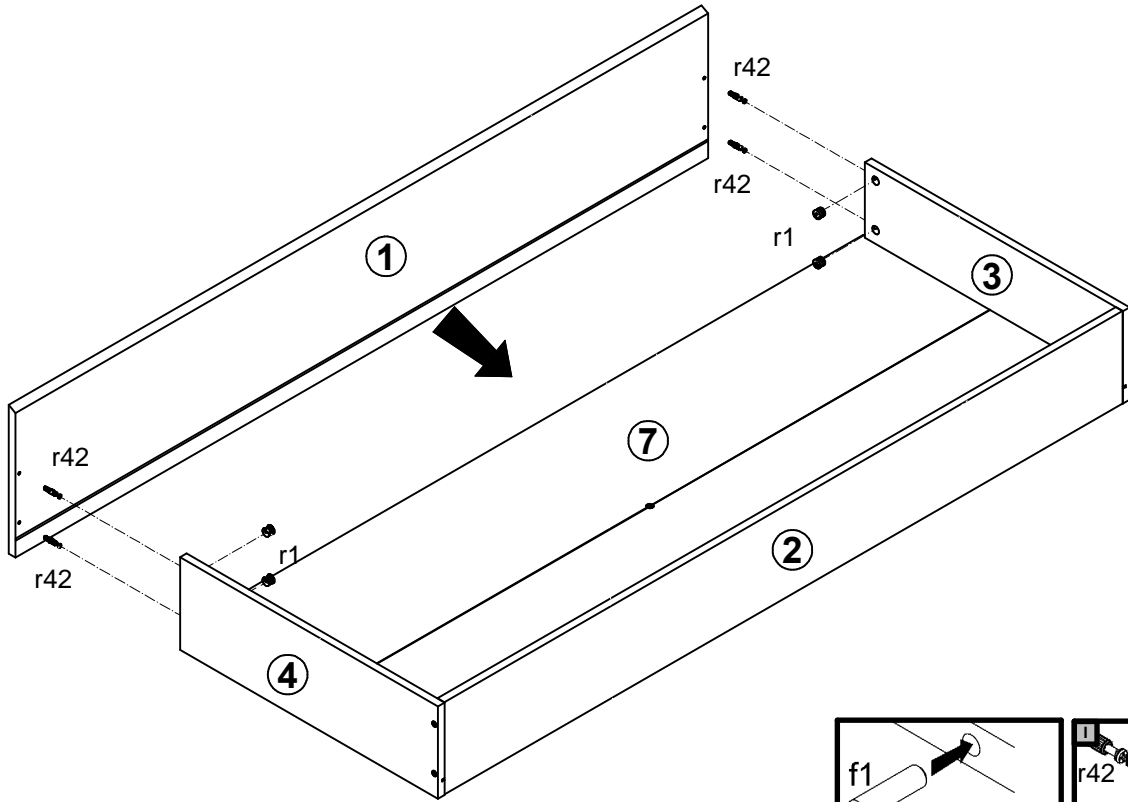
1



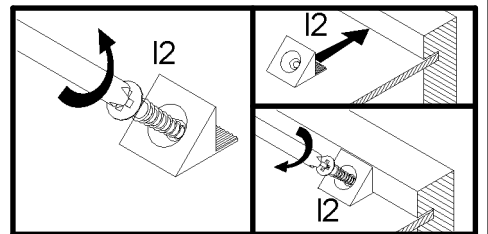
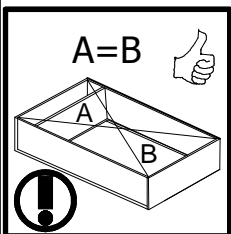
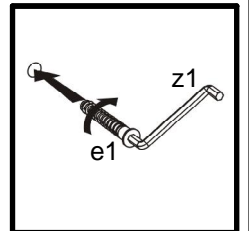
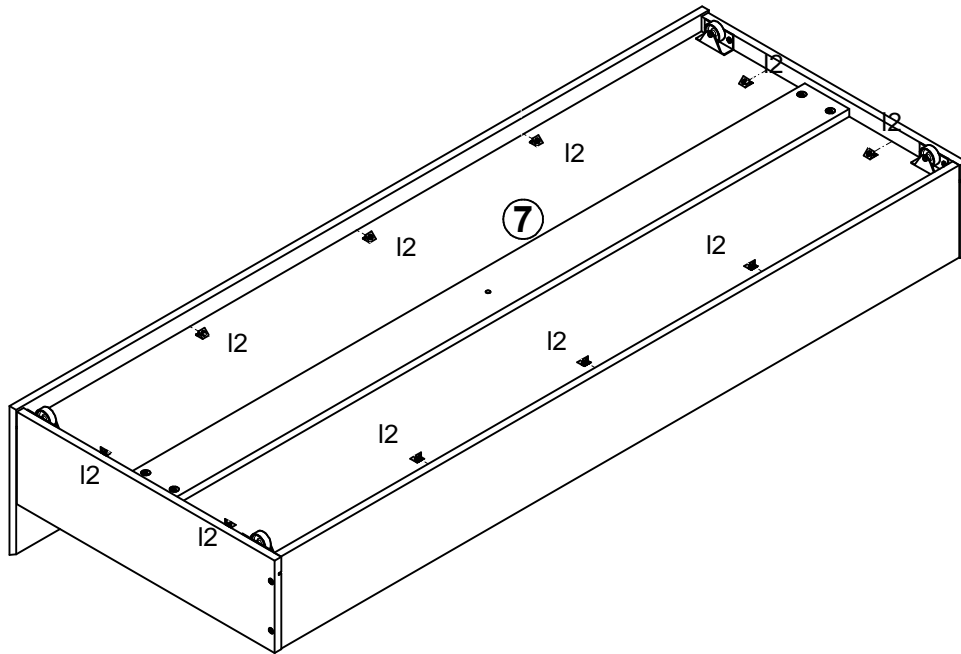
2



3



4



5

