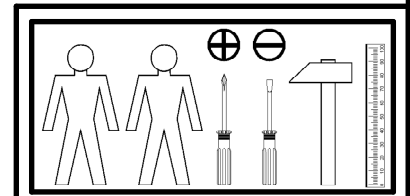
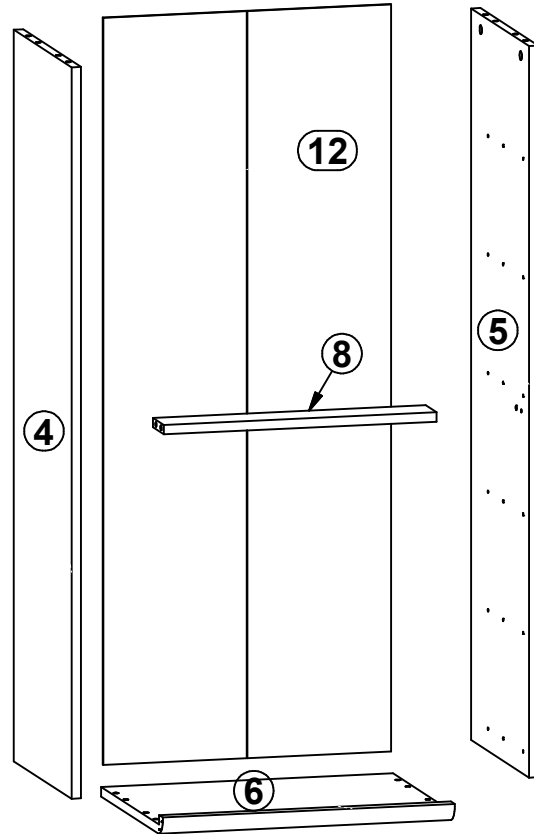
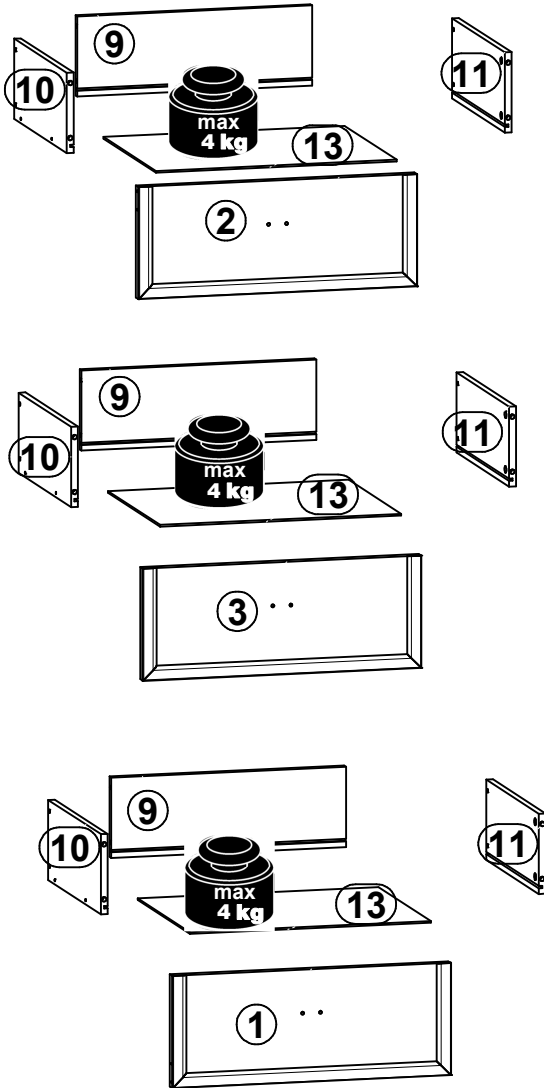
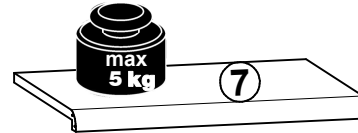
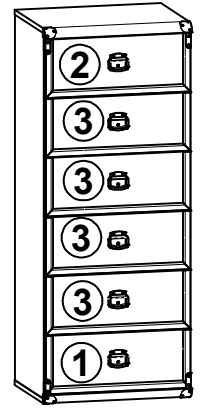
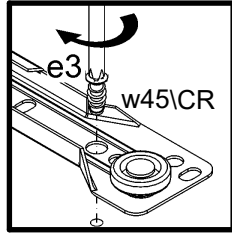
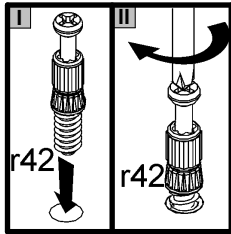
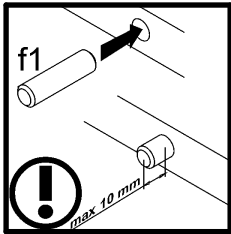
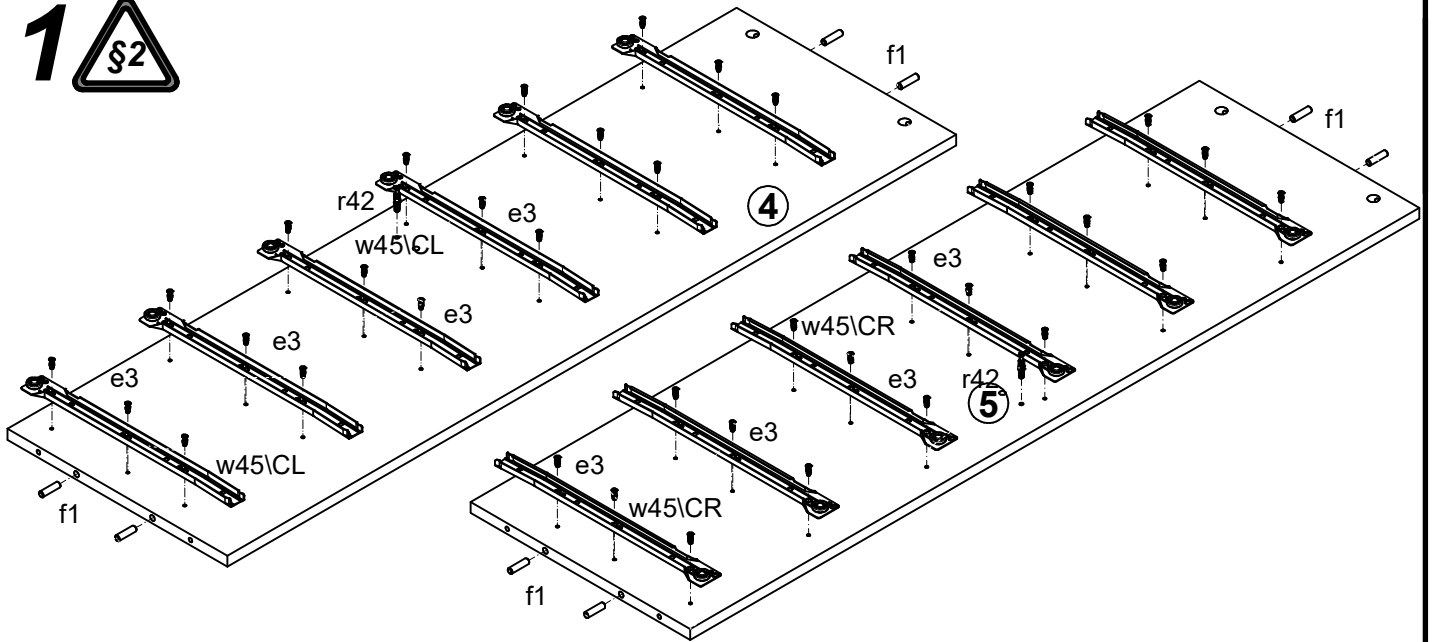


A	B	C	D	
1	S31-011	496	196	3/3
2	S31-007	496	196	3/3
3	S31-012	496	196	3/3
4	S31-148 A	1228	370	1/3
5	S31-149 A	1228	370	1/3
6	S31-204	500	395	2/3
7	S31-203	500	395	2/3
8	S31-430	467	70	1/3
9	S31-506	418	140	1/3
10	S31-504	350	140	1/3
11	S31-505	350	140	1//3
12	S31-906	1254	493	1/3
13	S31-903	429	348	1/3

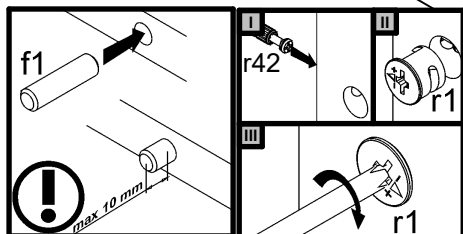
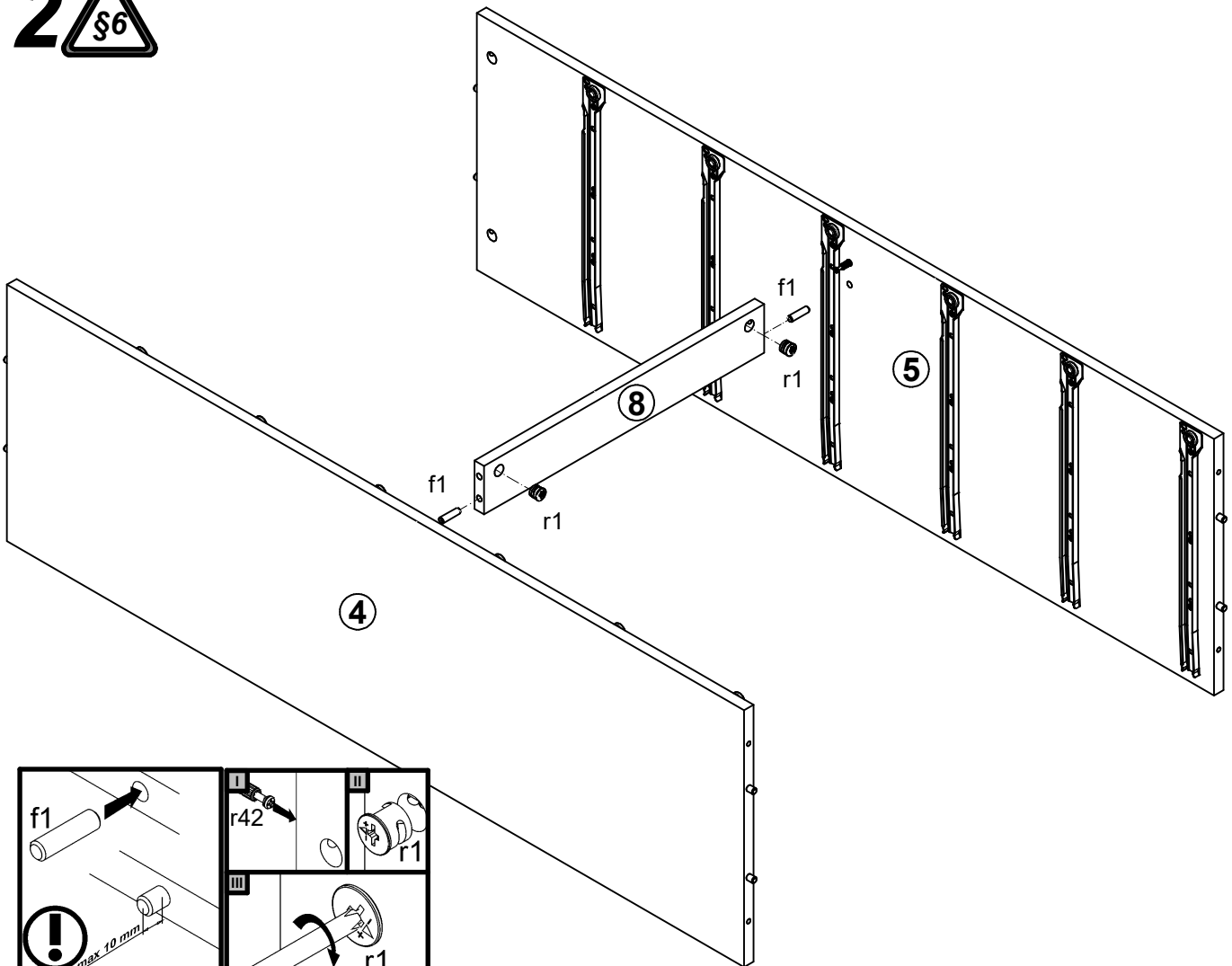


6x c158	4x Ø7x50 mm e1	24x Ø5x9 mm e19	36x Ø6x13 mm e3	10x Ø8x30 mm f1	24x Ø6.5x40 mm f25	12x M4x22 mm j30	4x Ø15 k22	40x l1
4x i27	2x i28/L	2x i28/P	16x Ø3x12 mm p83	6x Ø15x12 mm #16 r1	24x Ø12x10.5 mm #12 r15	30x 20*11 r42	2x Ø16 s2	6x 350 mm w45/CL
6x 350 mm w45/CR	6x 350 mm w45/DL	6x 350 mm w45/DR	1x 4 mm z1	1x n26/l1	1x Ø3.5x16 mm p38			

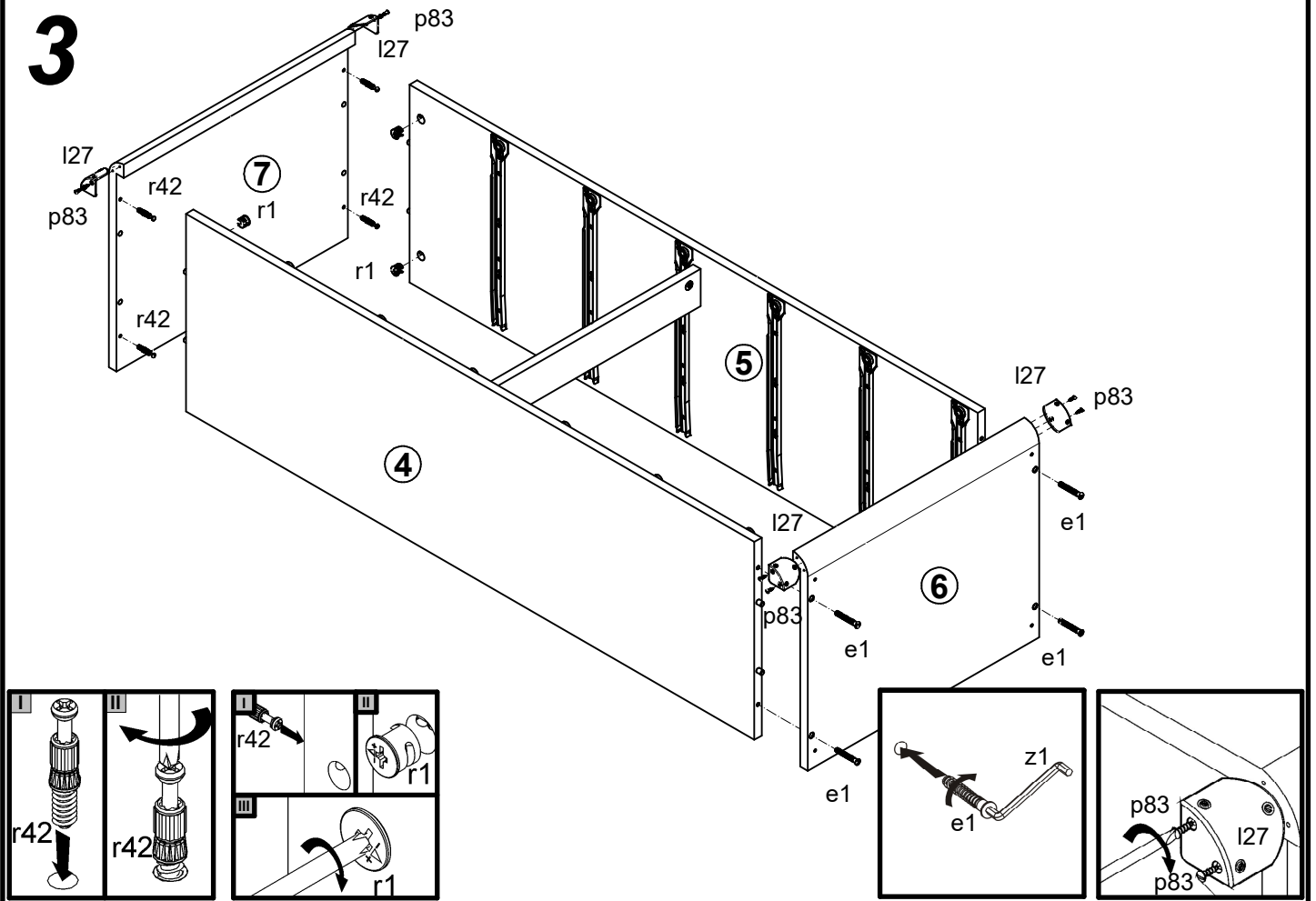
1



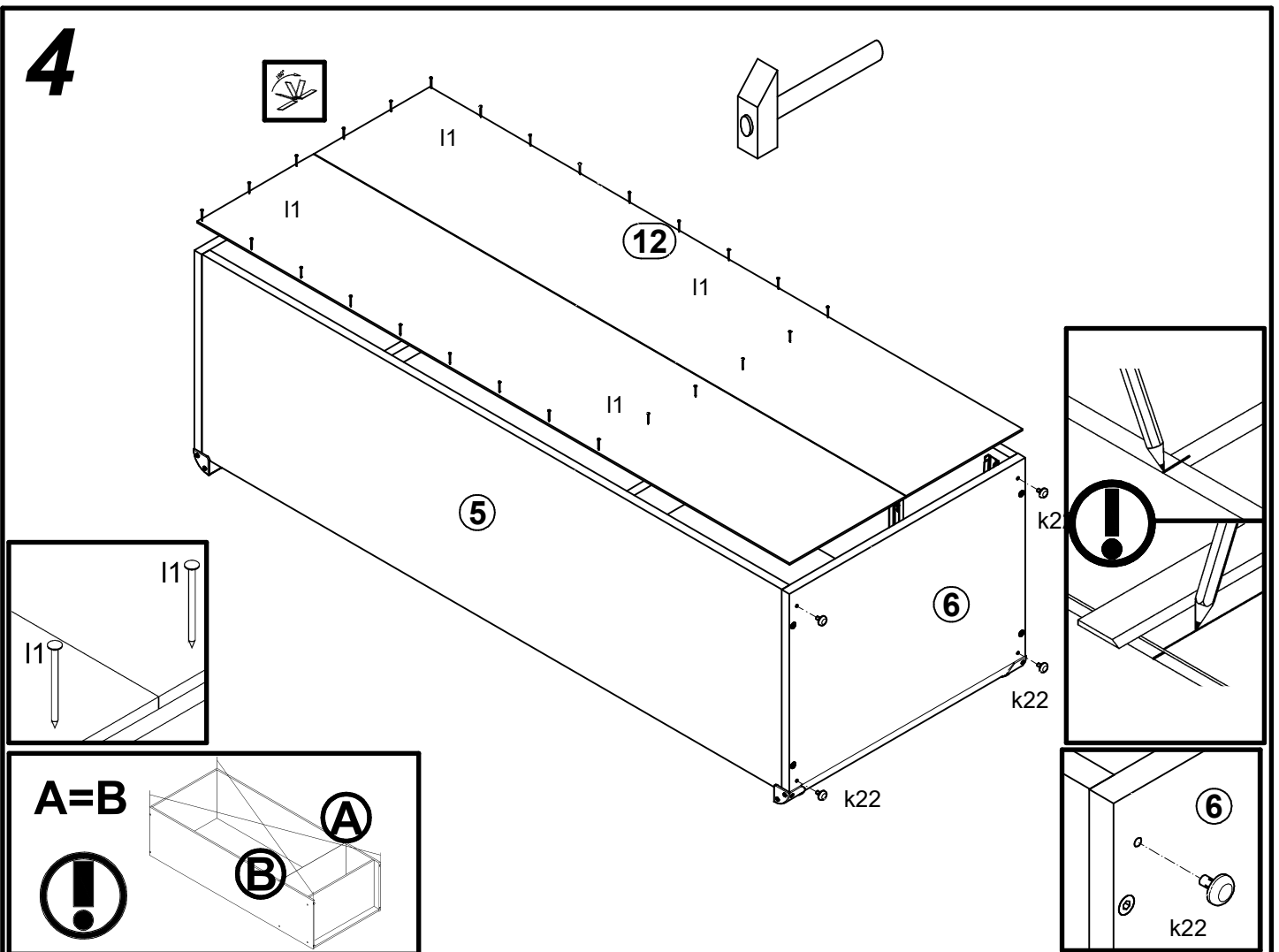
2



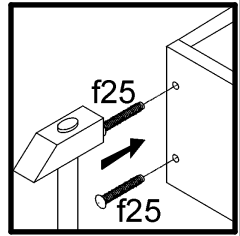
3



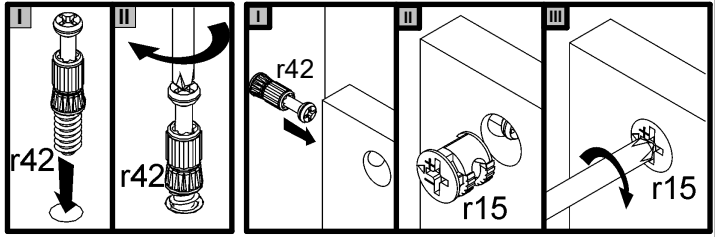
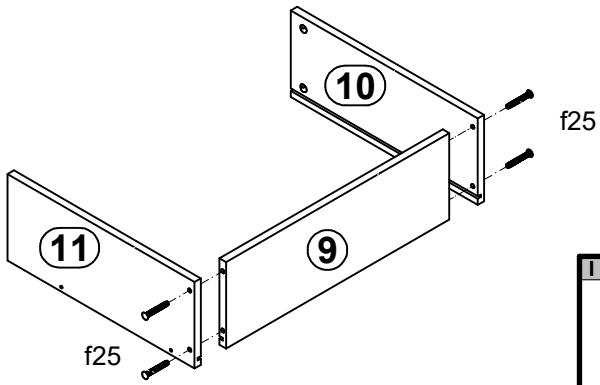
4



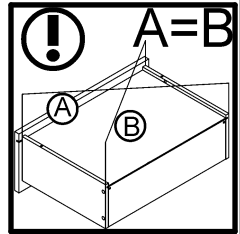
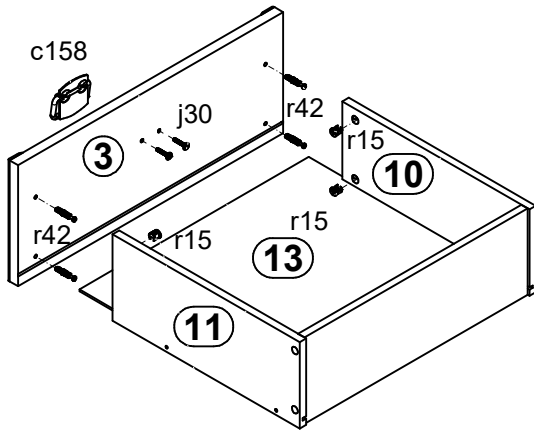
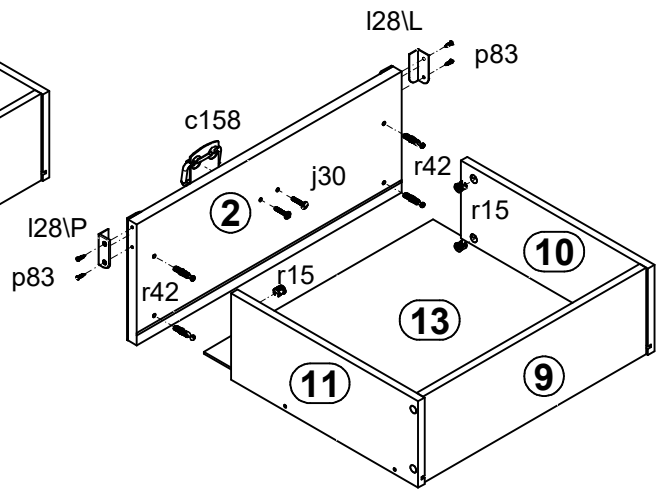
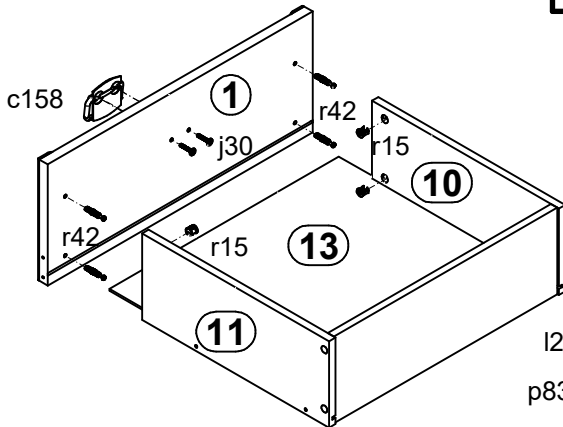
5



I



II



III

