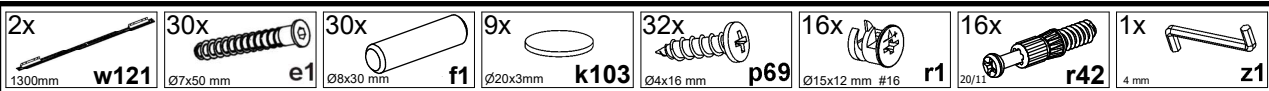
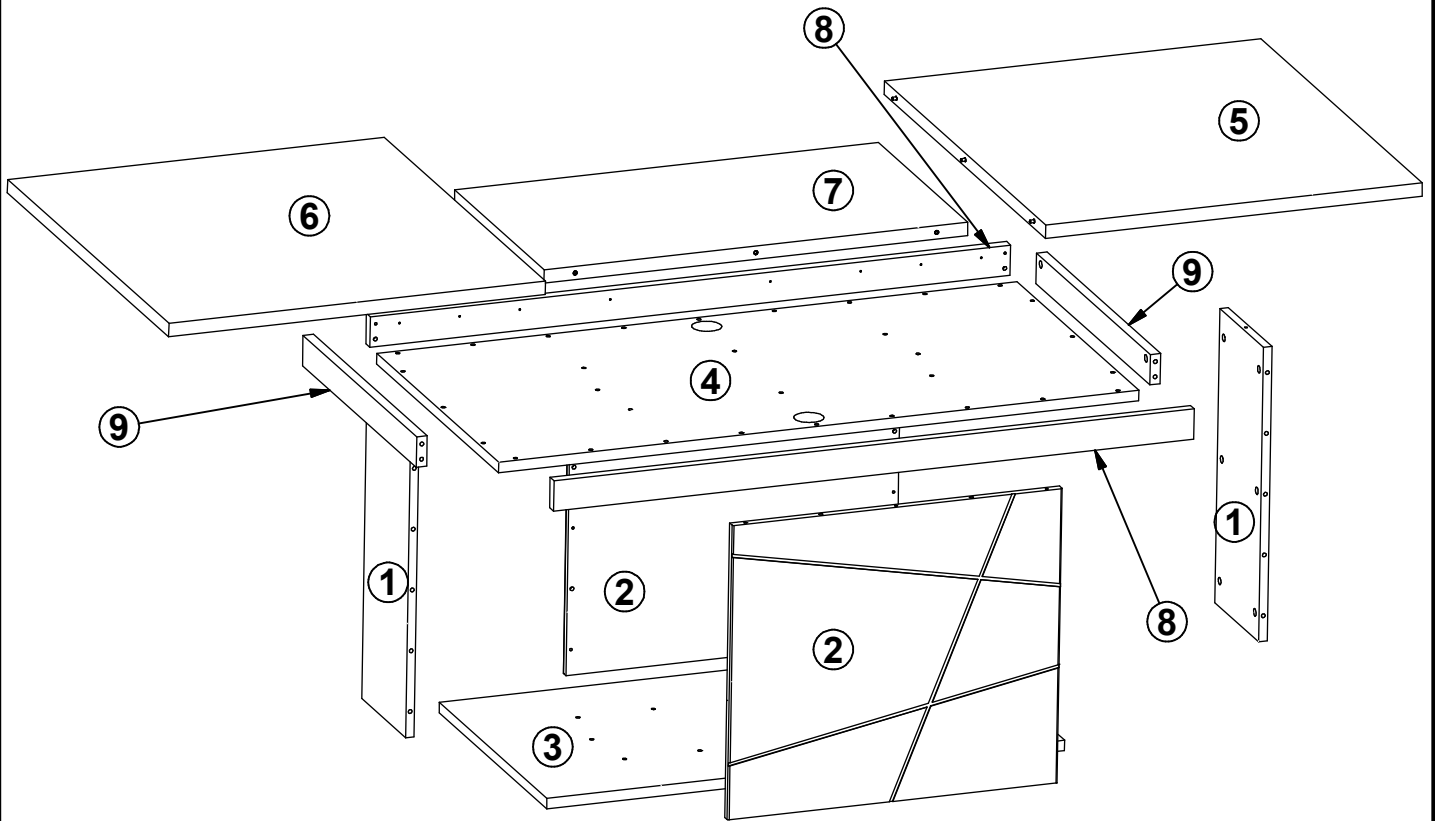
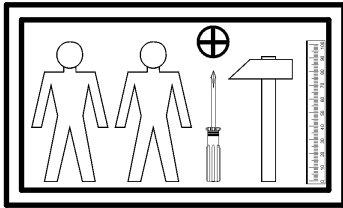
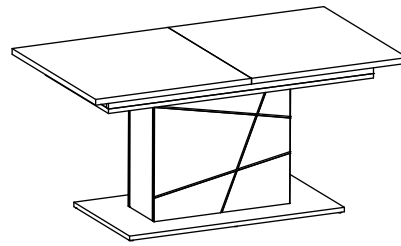
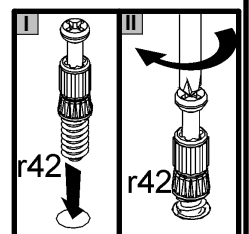
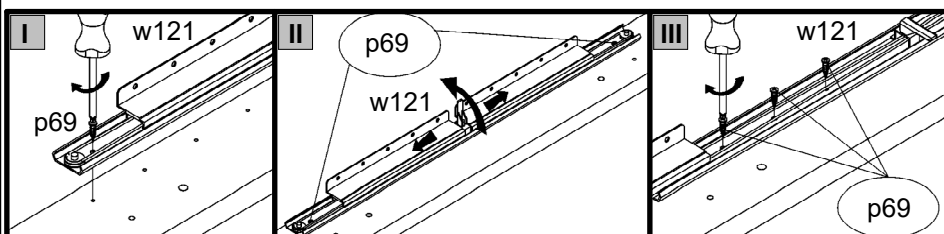
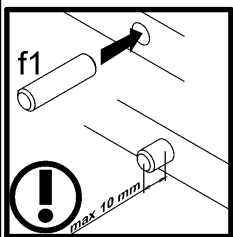
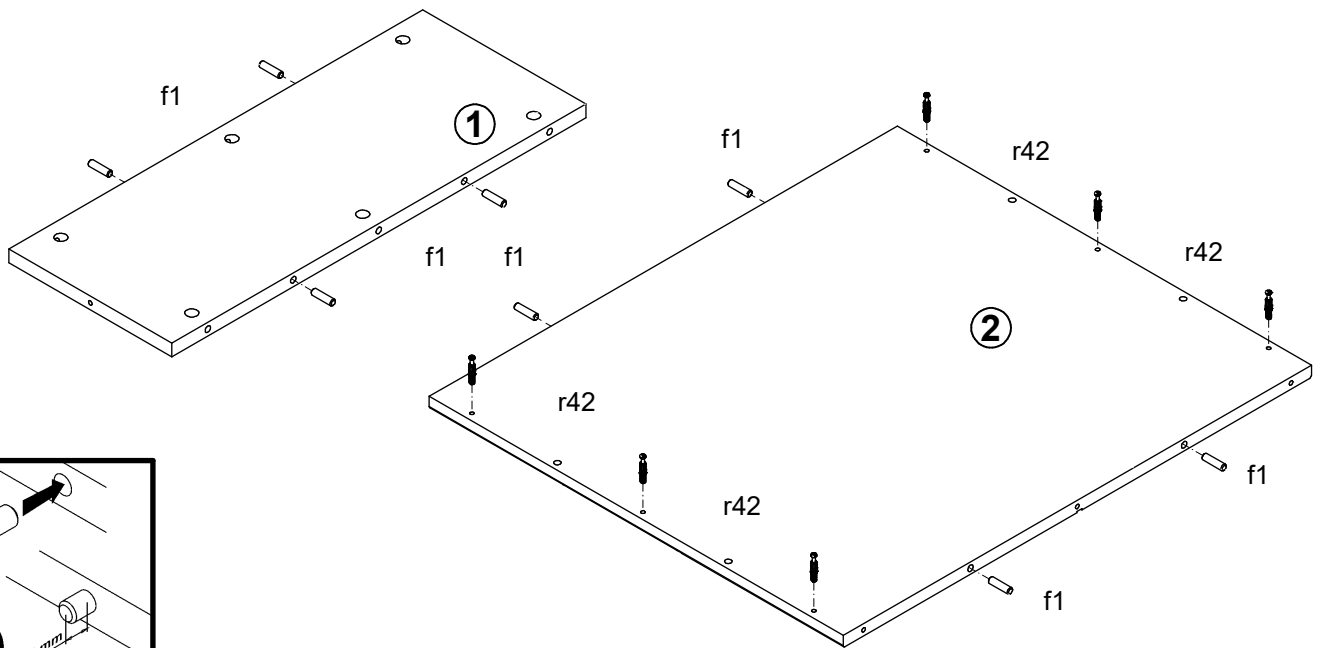
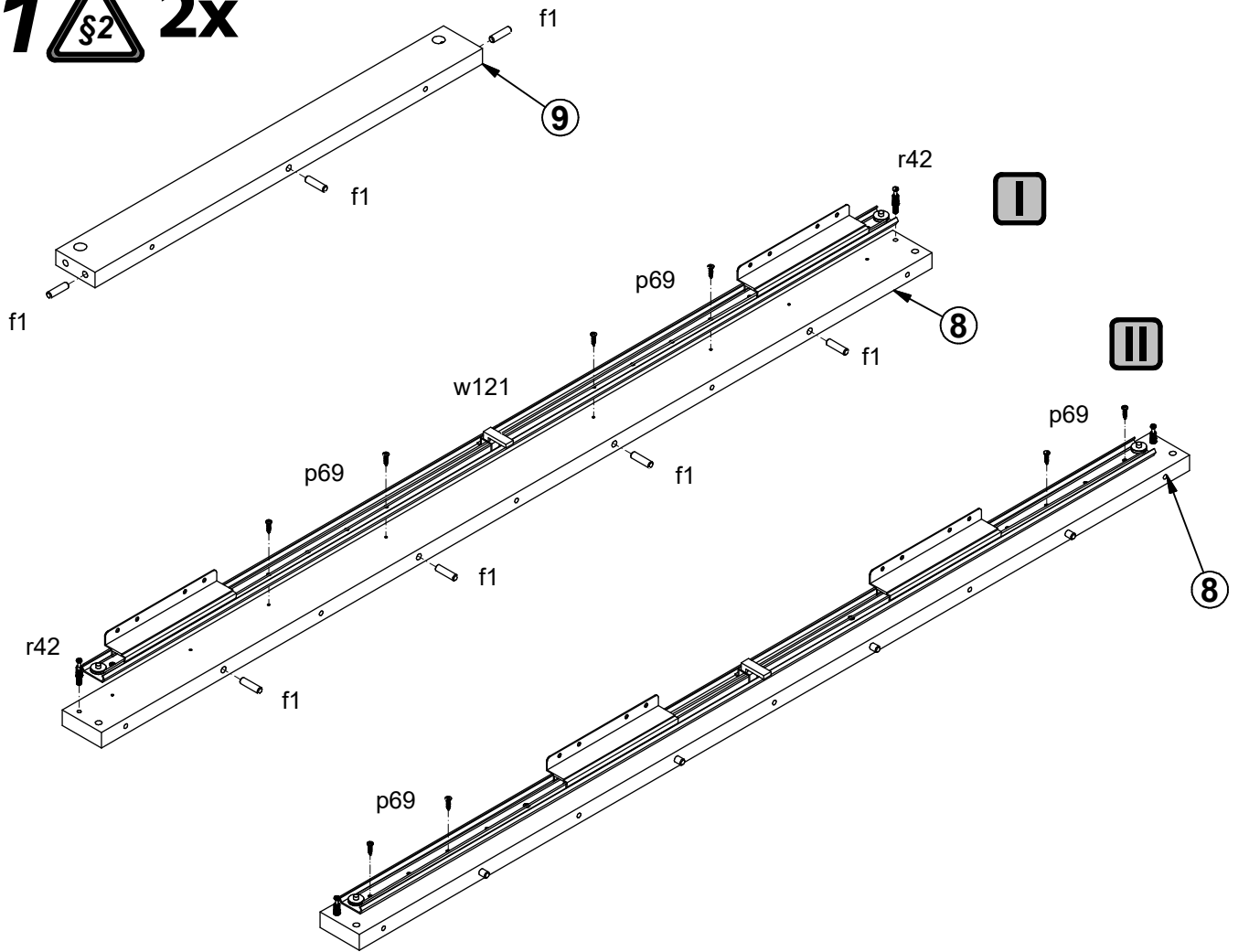


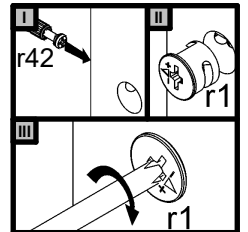
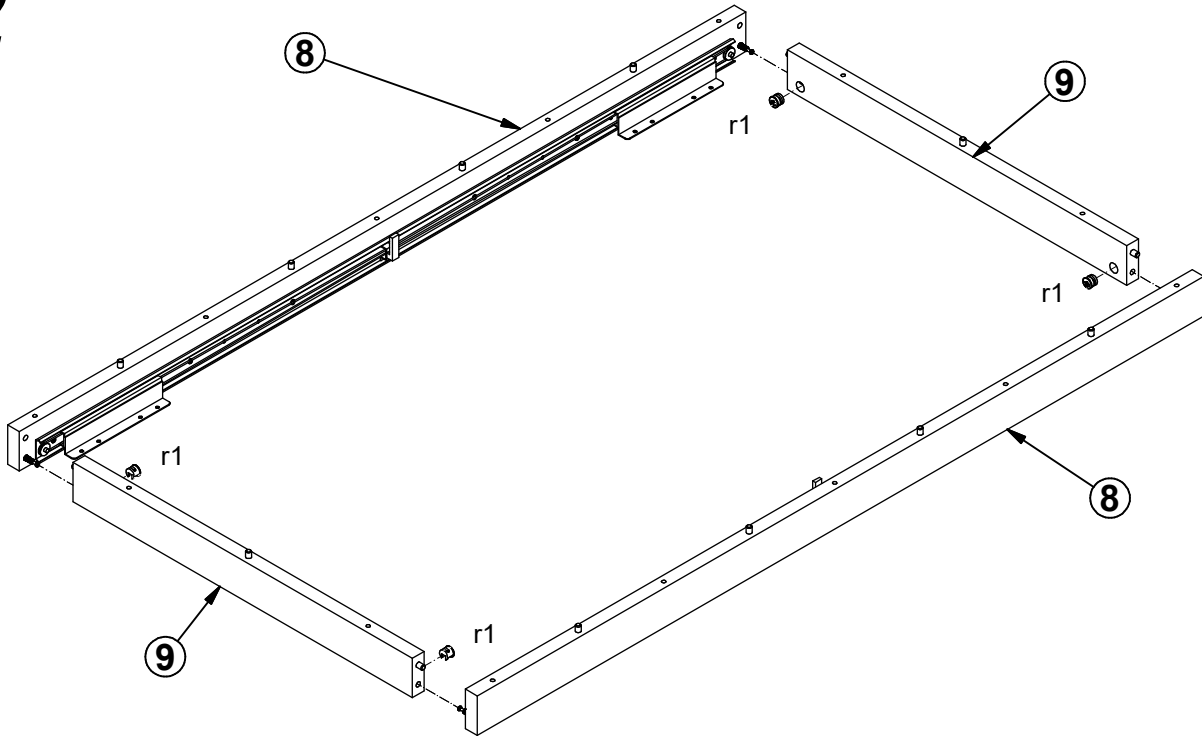
A	B	C	D
1	S471-1030	620	244 2/3
2	S471-1031	620	701 3/3
3	S471-2024	600	1100 3/3
4	S471-2025	1360	680 2/3
5	S471-2026	900	800 1/3
6	S471-2027	900	800 1/3
7	S471-2028	900	500 1/3
8	S471-4029	1360	64 2/3
9	S471-4030	635	64 2/3



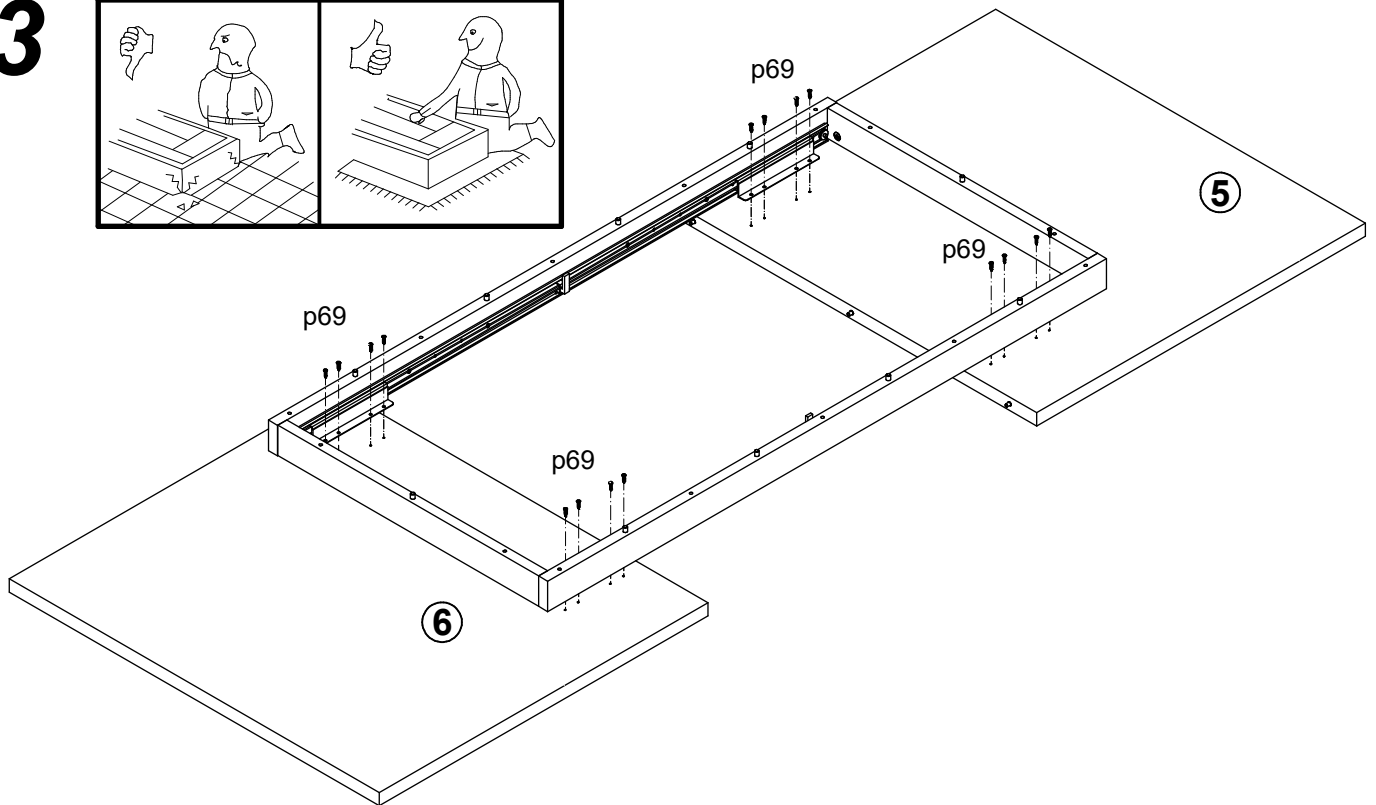
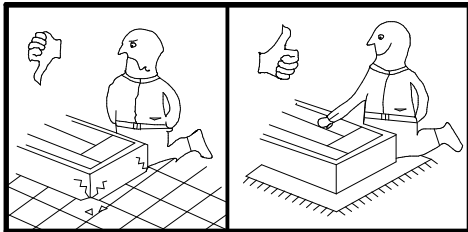
1  2x



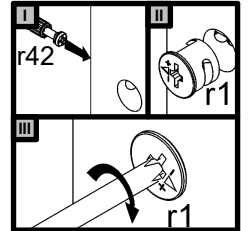
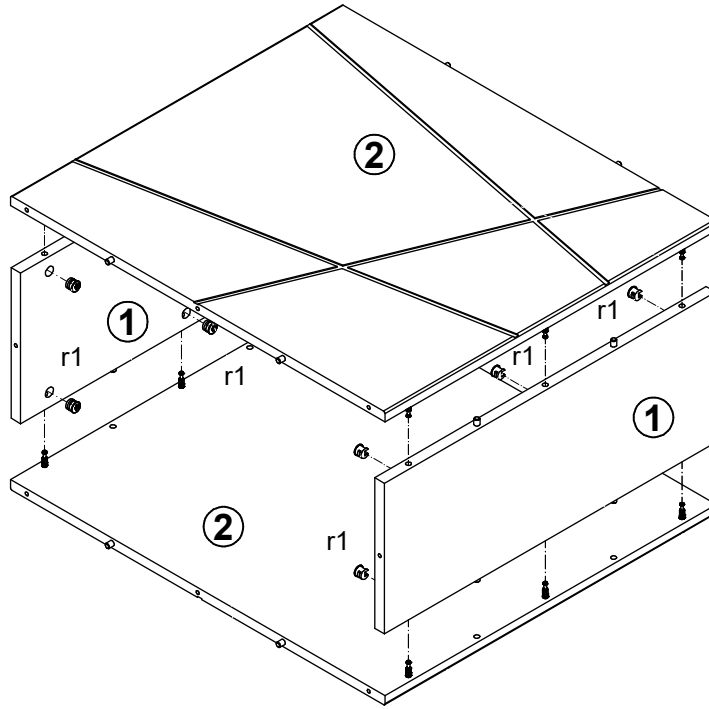
# 2



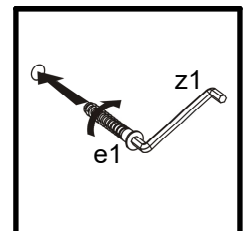
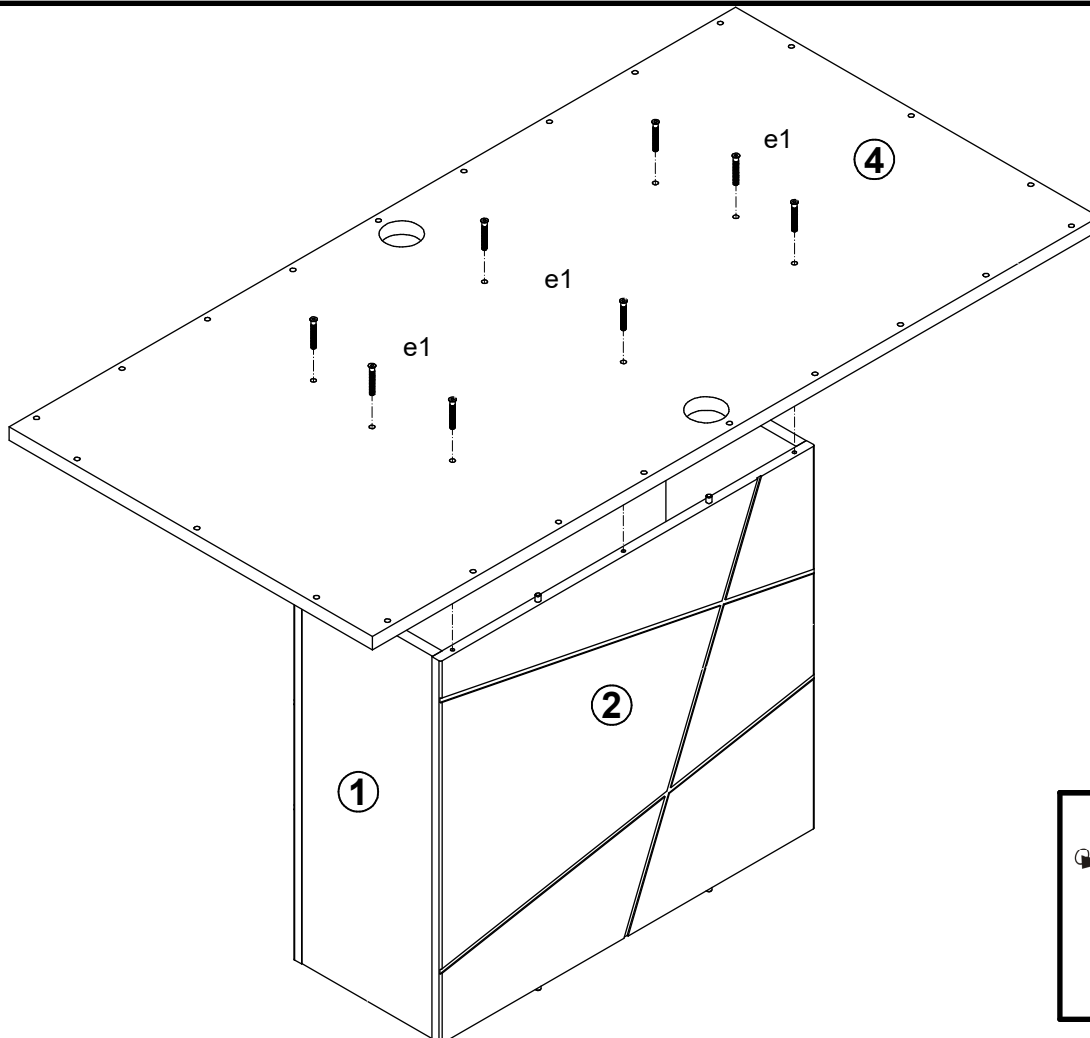
# 3



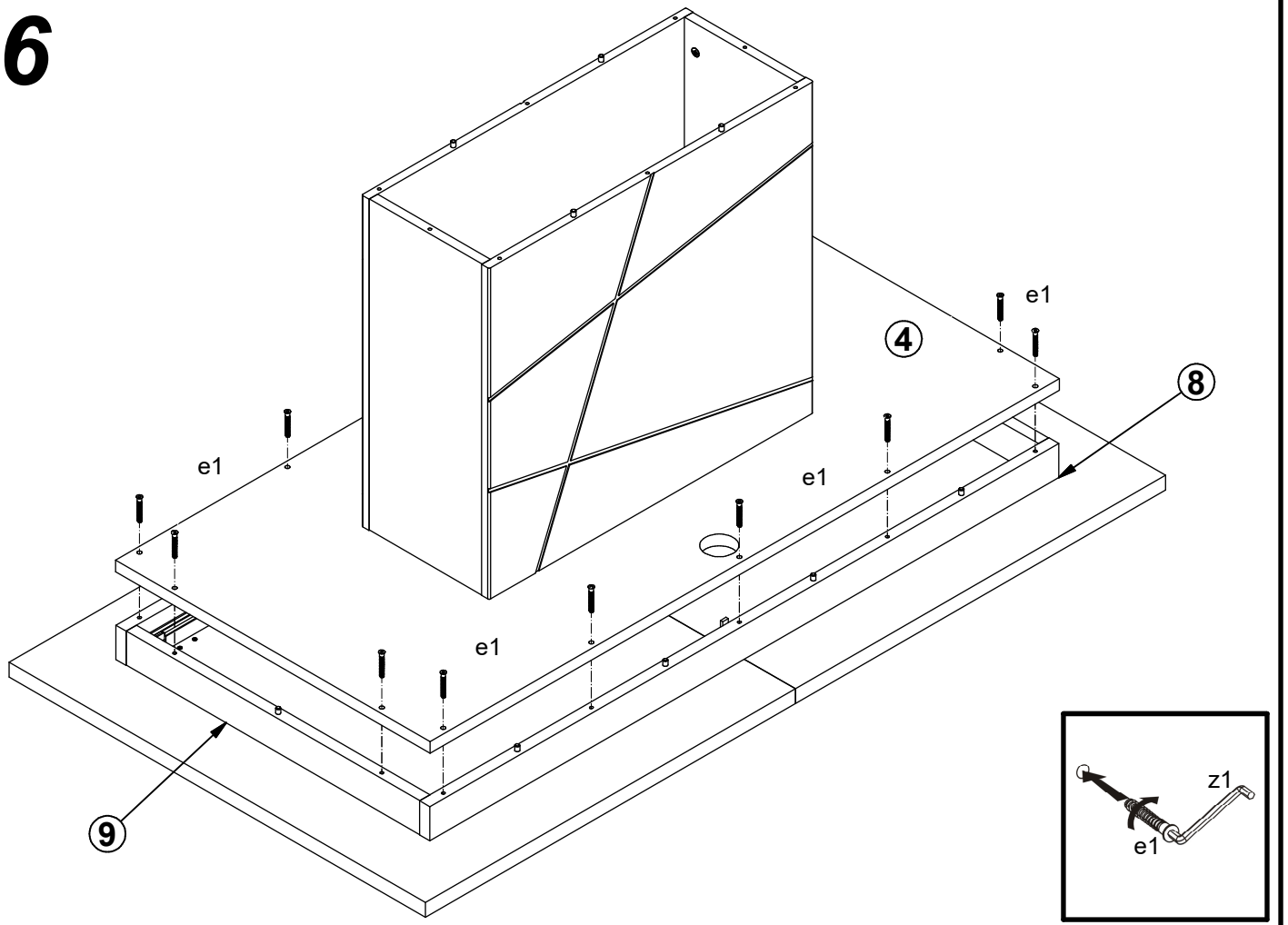
# 4



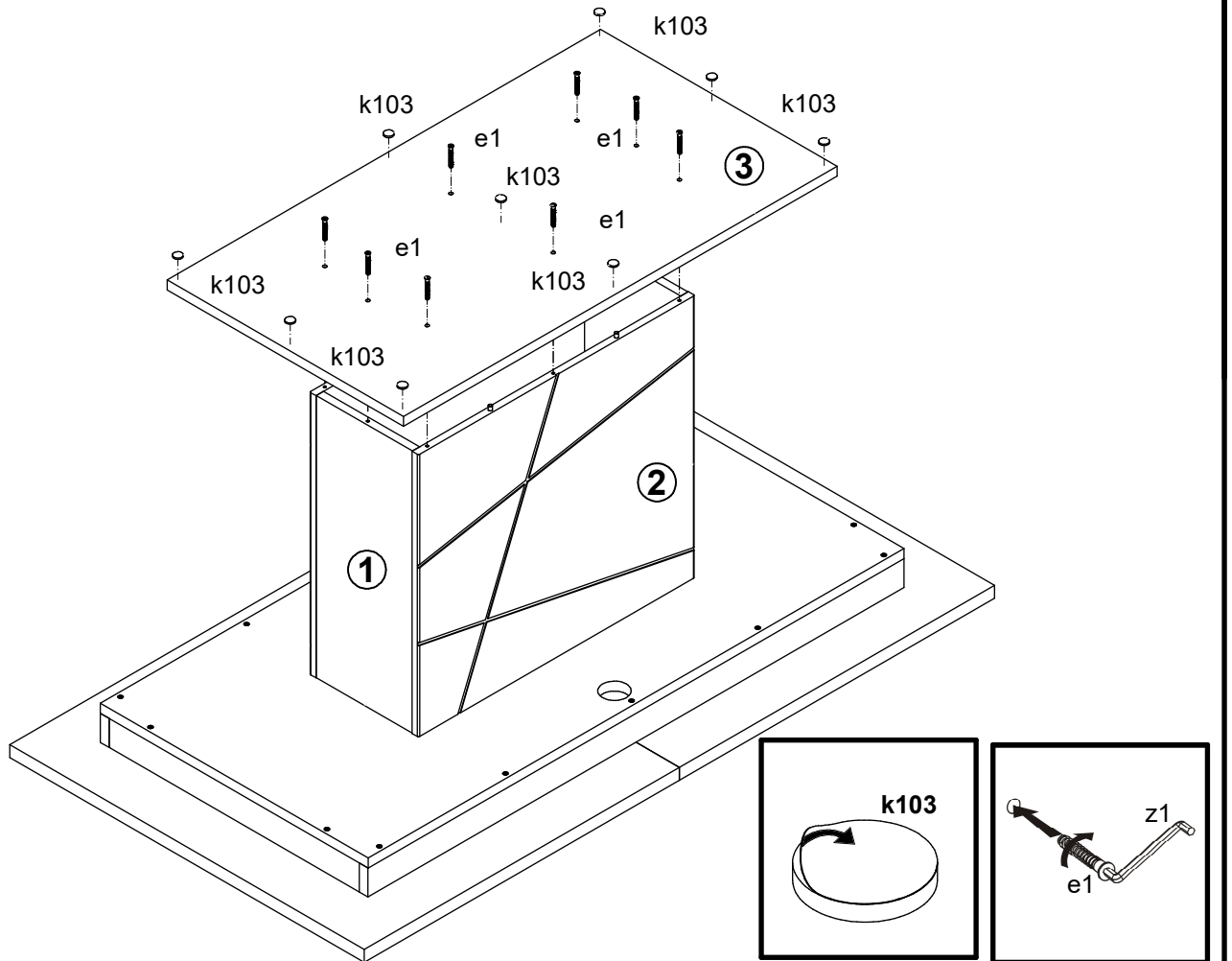
# 5



# 6



# 7



8

