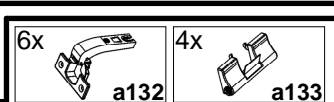
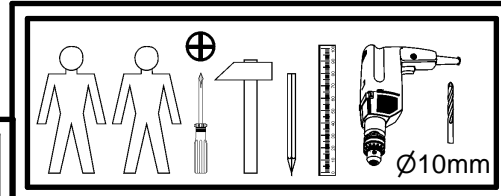
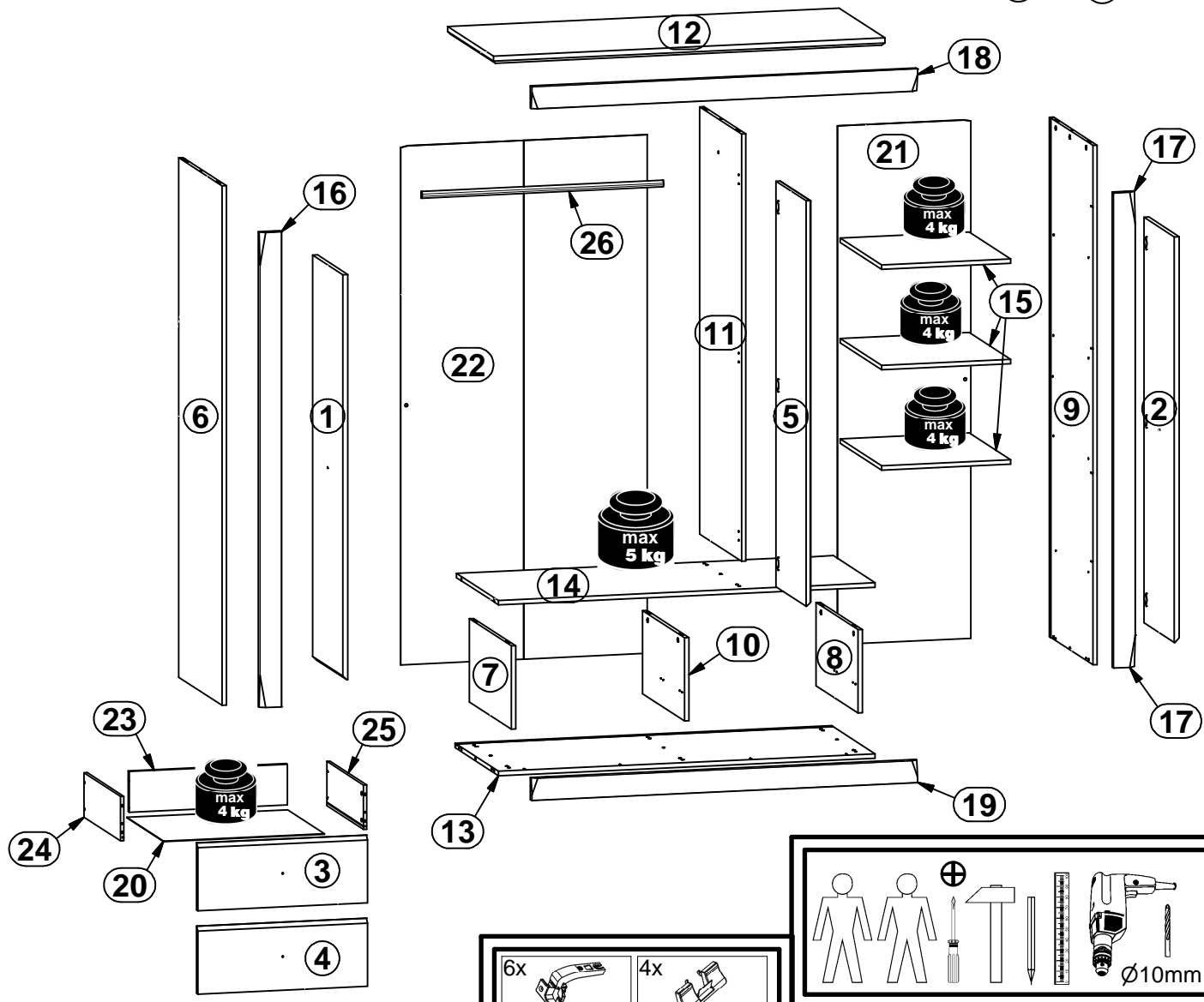
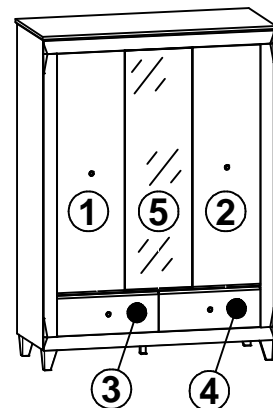
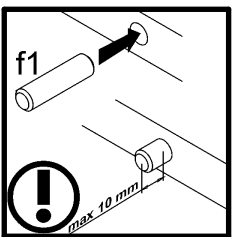
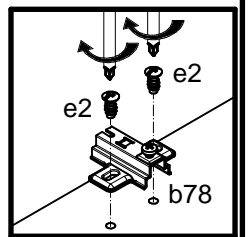
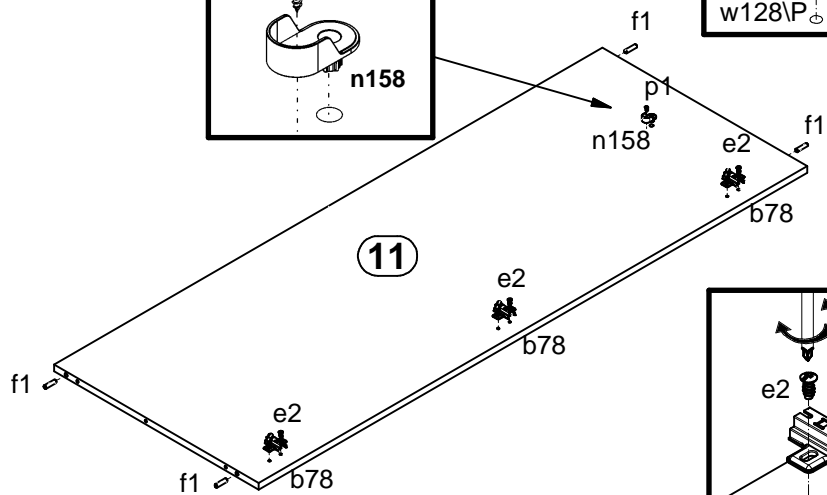
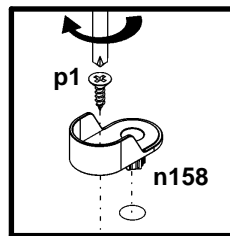
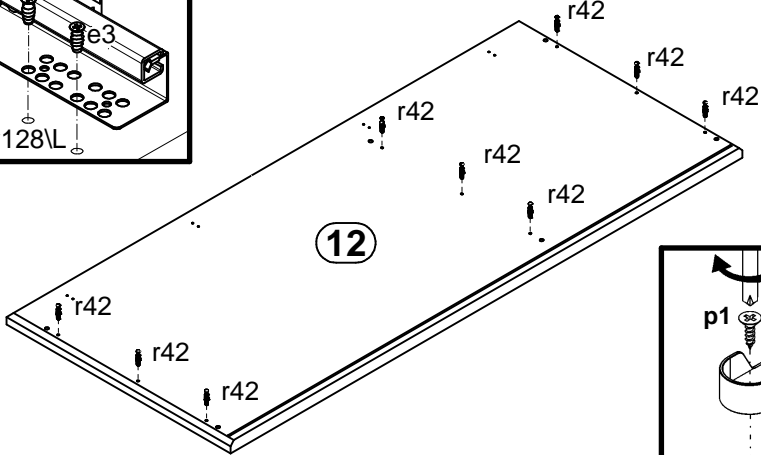
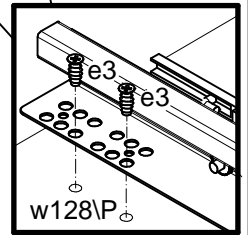
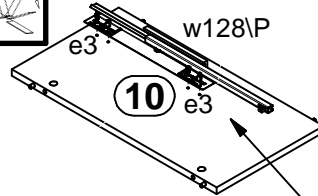
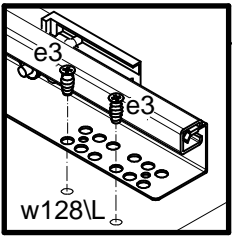
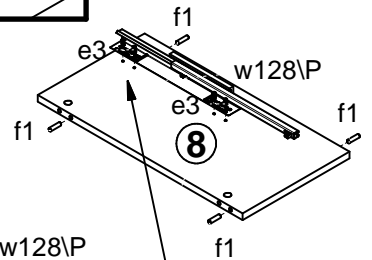
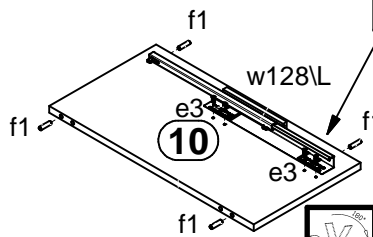
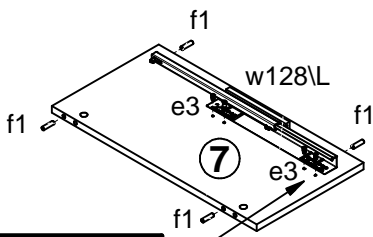
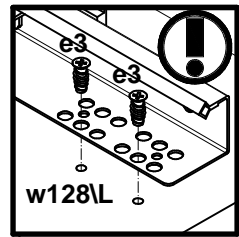
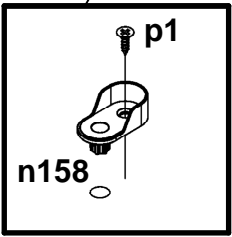
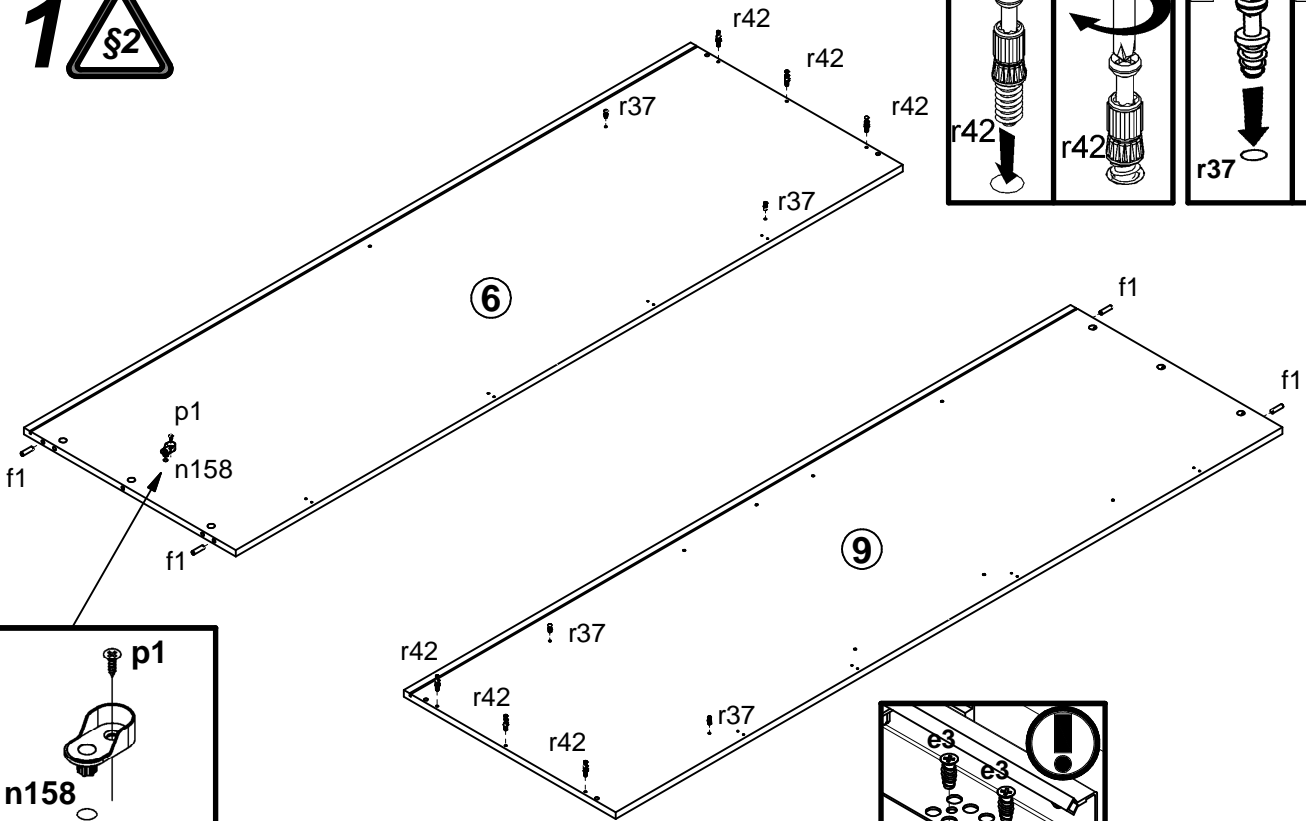
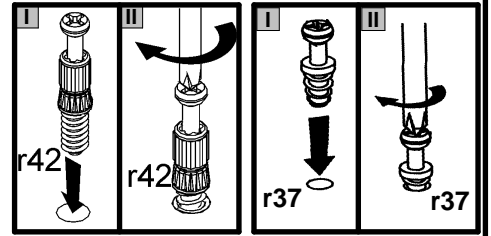


A	B	C	D	A	B	C	D		
1	S359-0027	1461	415	5/6	14	S359-3019	1384	575	2/6
2	S359-0028	1461	415	5/6	15	S359-3020	474	569	3/6
3	S359-0029	624	242	5/6	16	S359-5028	1712	80	4/6
4	S359-0030	624	242	5/6	17	S359-5029	1712	80	4/6
5	S359-0031	1461	415	5/6	18	S359-5030	1417	80	4/6
6	S359-1034	1872	595	1/6	19	S359-5031	1417	80	4/6
7	S359-1036	300	575	3/6	20	S359-9011	591	505	2/6
8	S359-1037	300	575	3/6	21	S359-9012	1869	489	1/6
9	S359-1038	1872	595	1/6	22	S359-9308	1869	905	1/6
10	S359-1039	300	575	1/6	23	ZQ2-1517	581	147	3/6
11	S359-1040	1540	575	1/6	24	ZQ3-521	500	160	3/6
12	S359-2014	1438	628	2/6	25	ZQ3-522	500	160	3/6
13	S359-3018	1384	595	2/6	26	dr-887	887	22	2/6

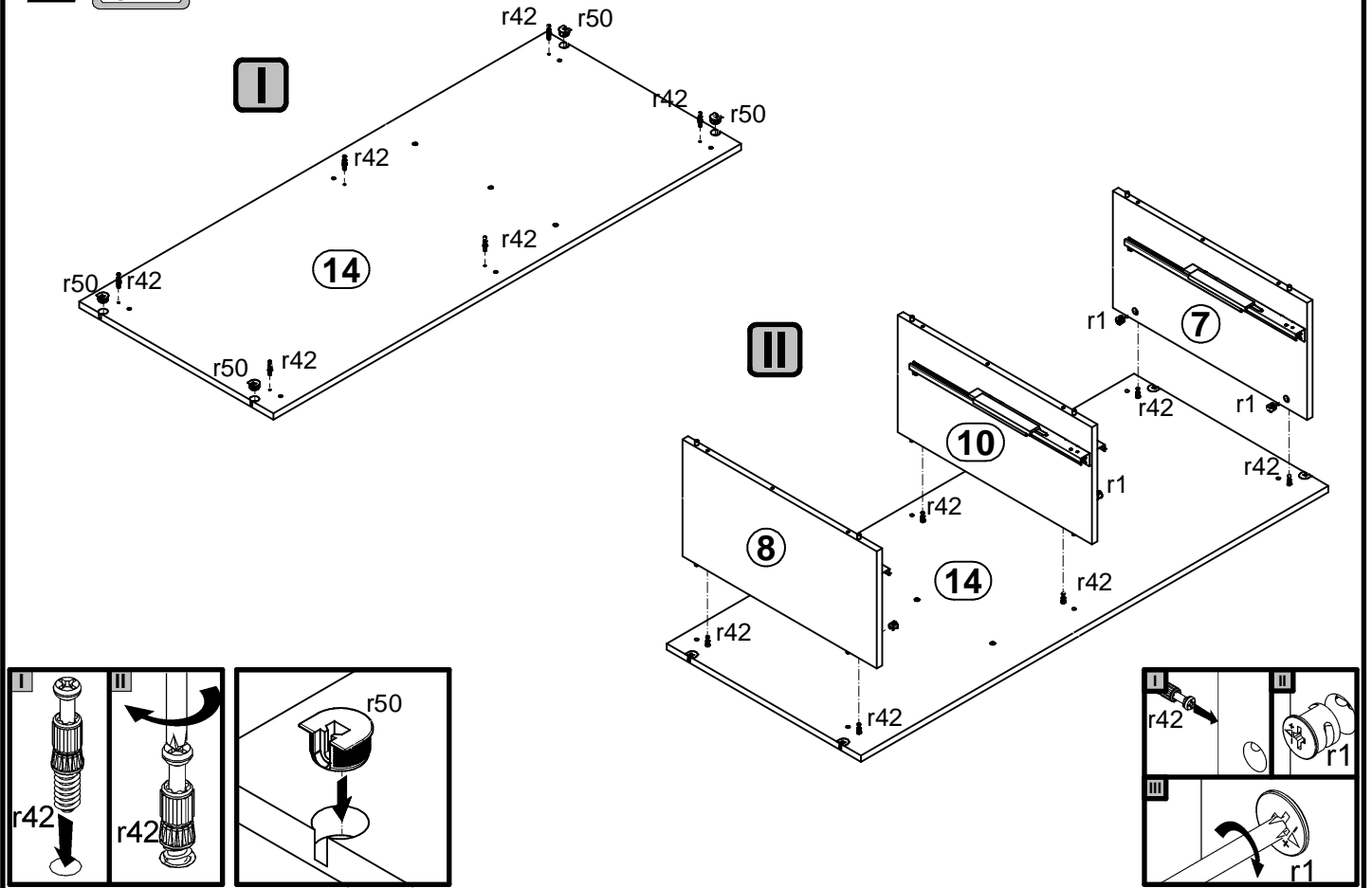


3x a159	6x b43	3x b78	4x c415	12x d1	2x d20	16x d37	12x e1	19x e2
16x e3	2x e50	12x e58	32x f1	4x f9	8x f25	4x j30	4x k125	1x k38/3
1x k38/7	16x l2	5x n108	2x n158	2x p1	79x p38	18x p51	5x p55	21x r1
8x r15	4x r37	29x r42	4x r50	2x w128/L	2x w128/P	1x z1	1x n26/1	10x s68

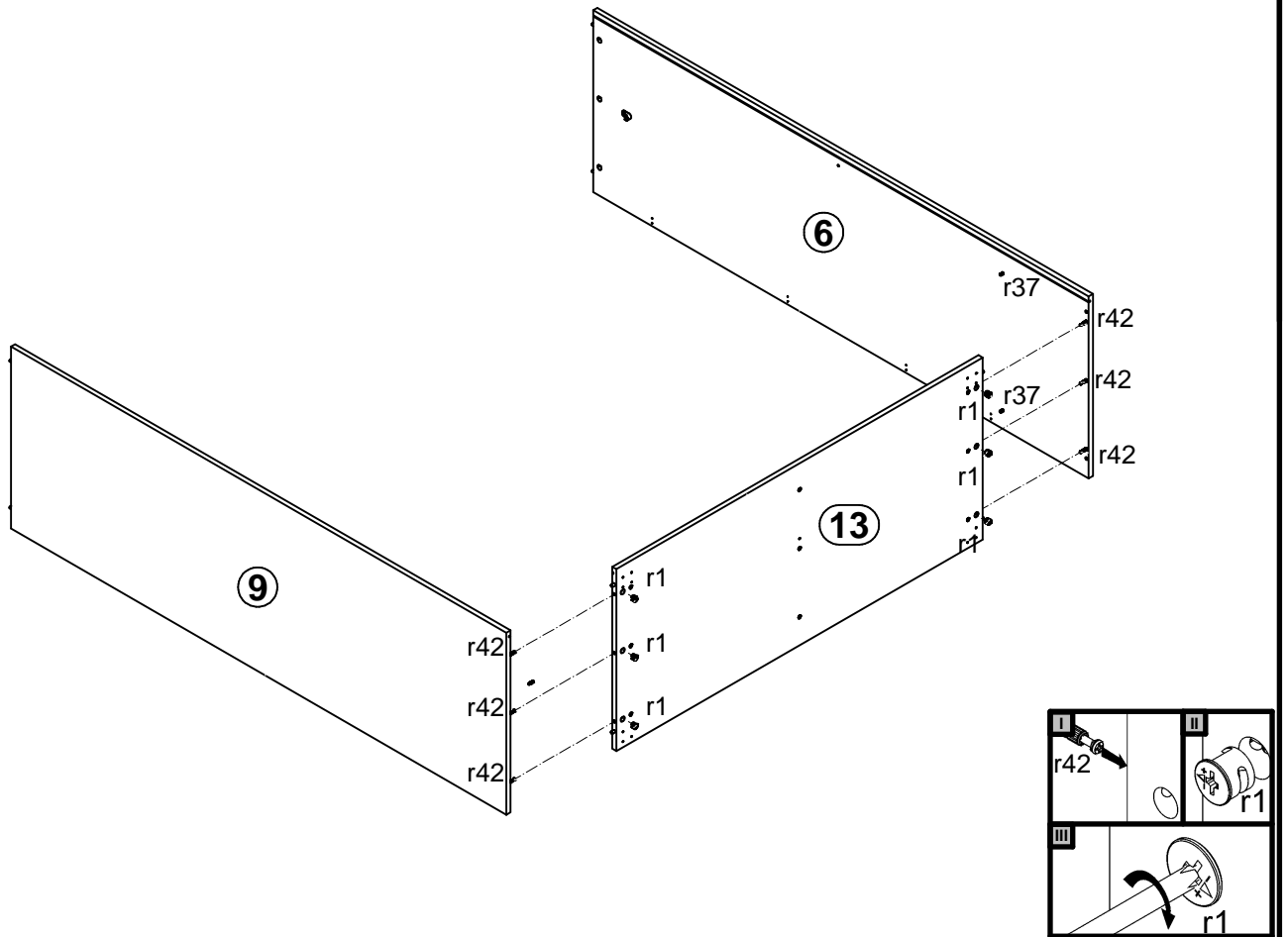
1 

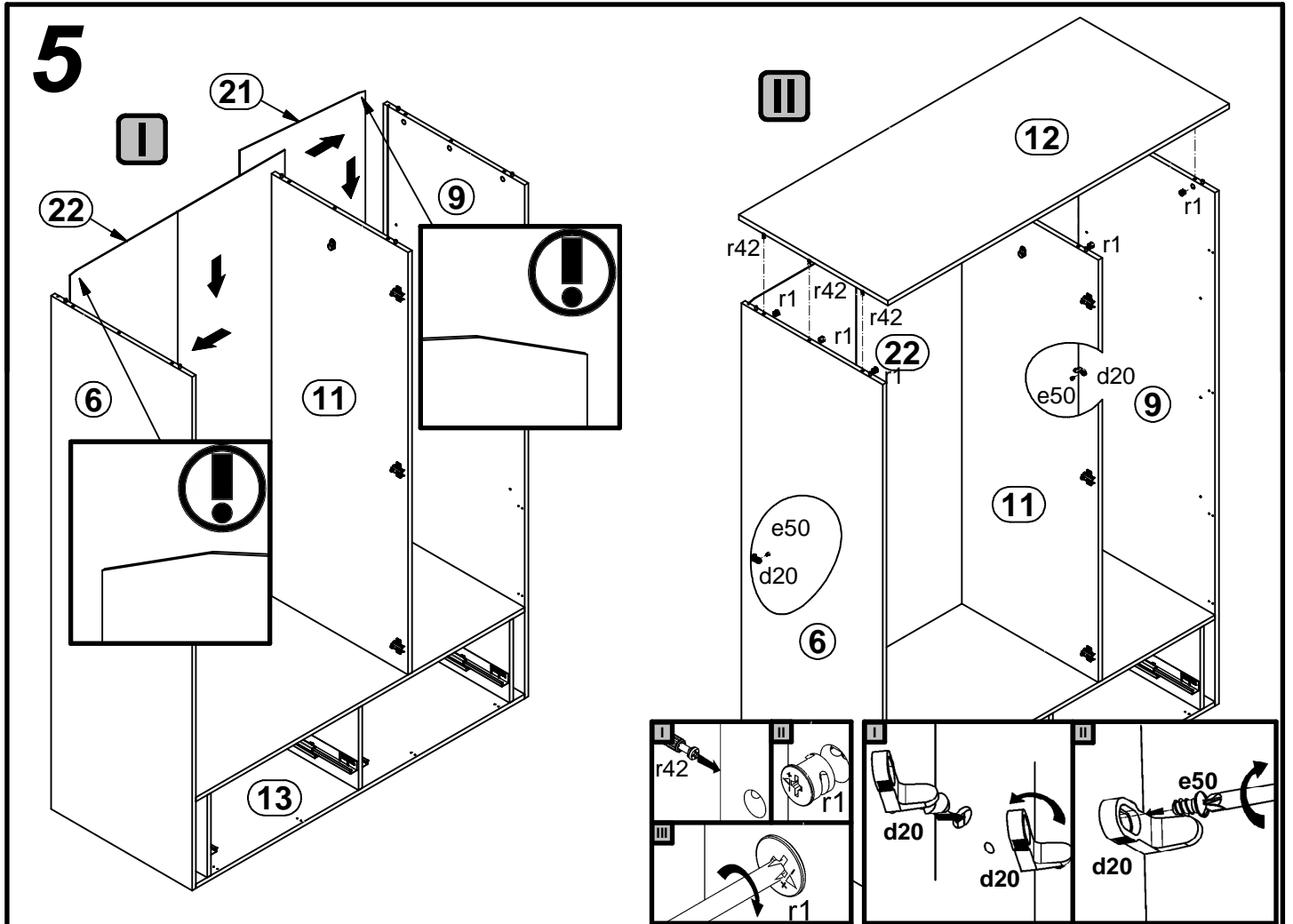
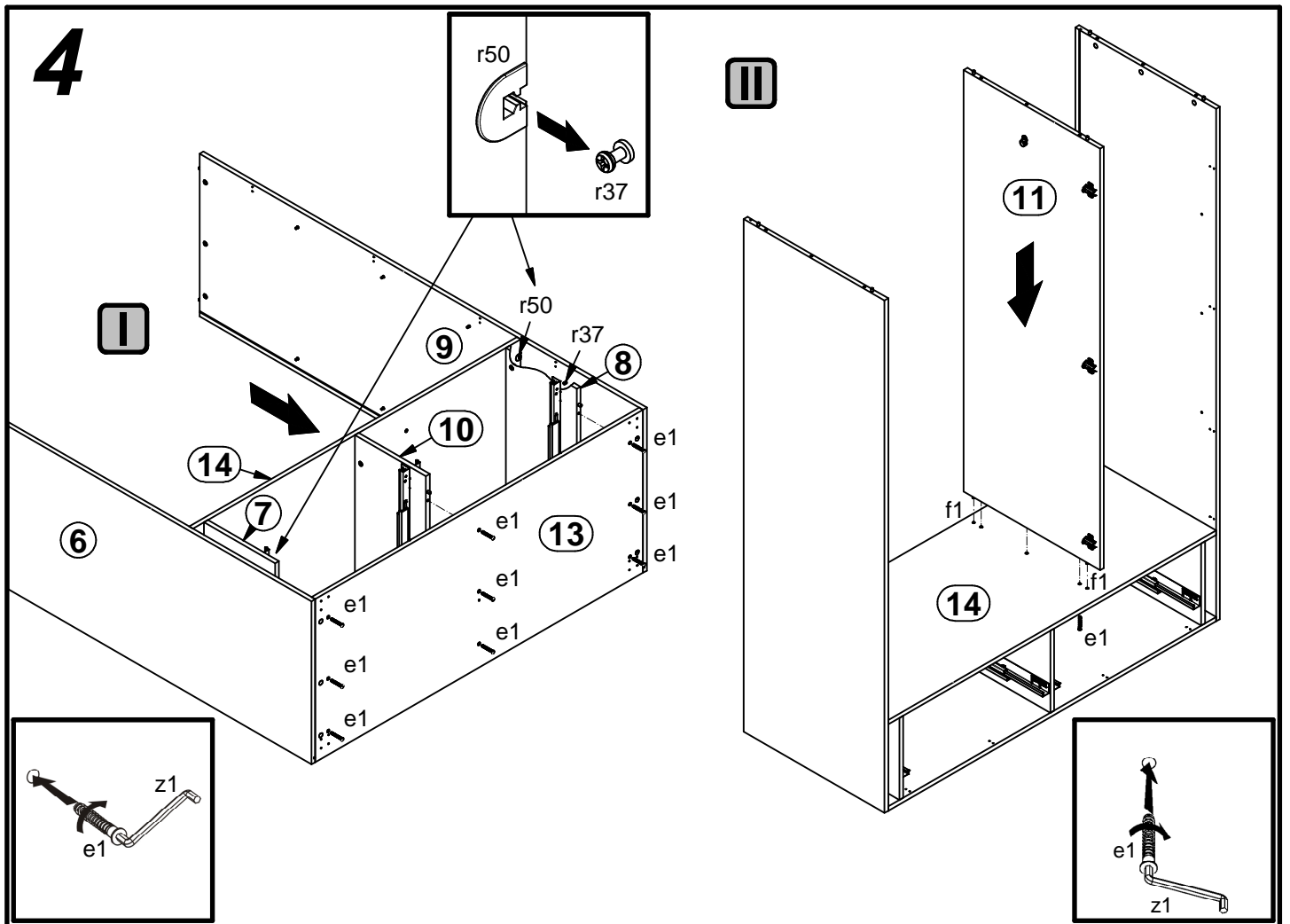


2

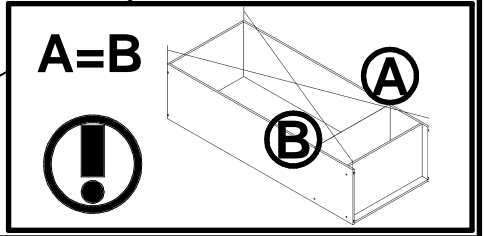
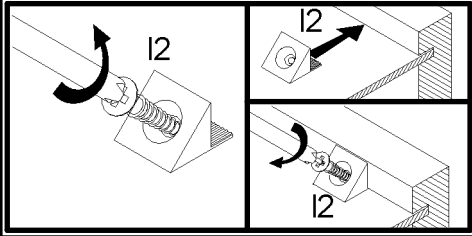
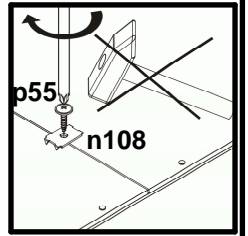
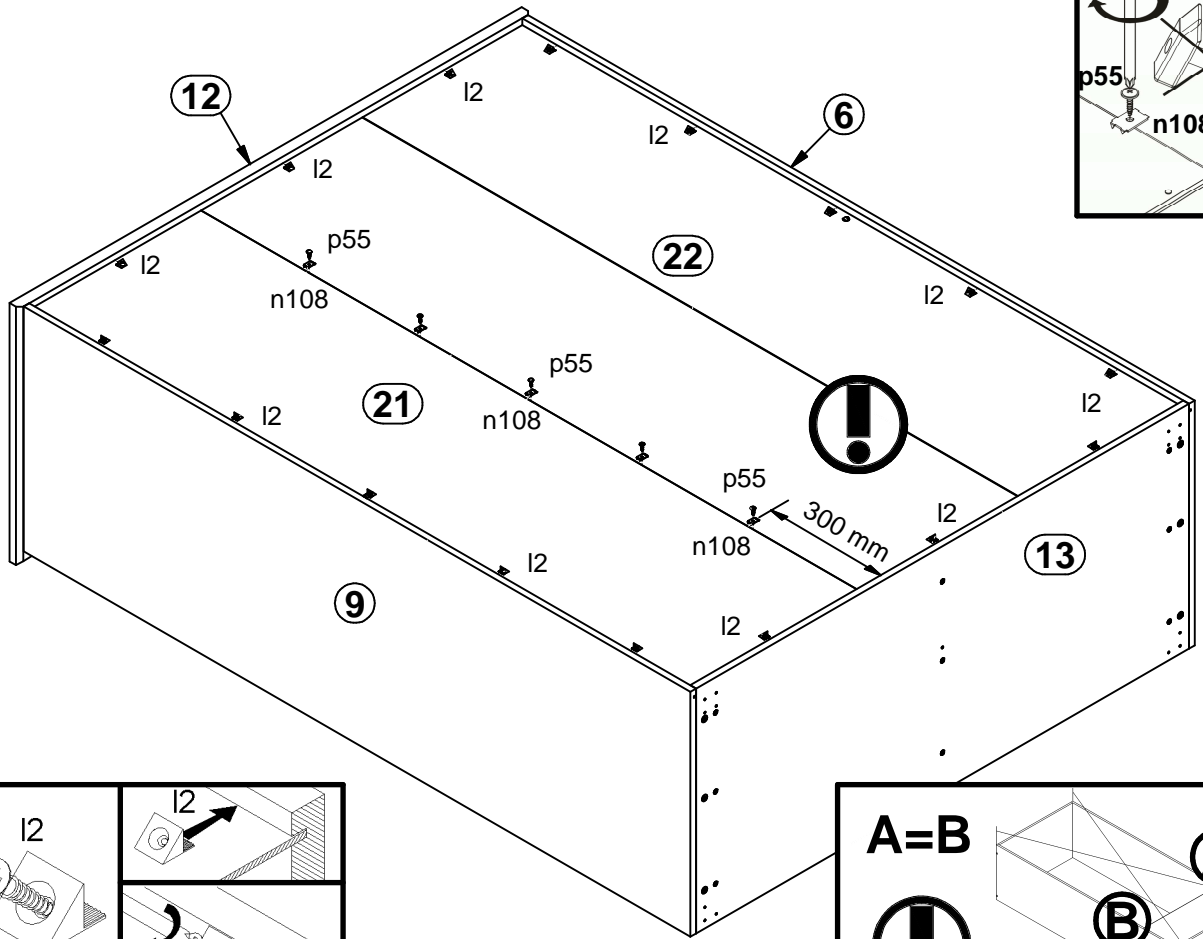


3

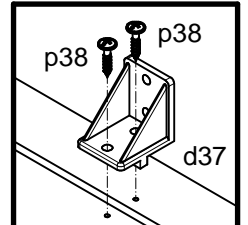
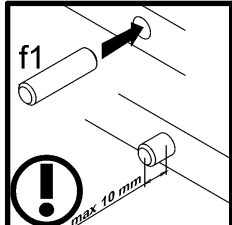
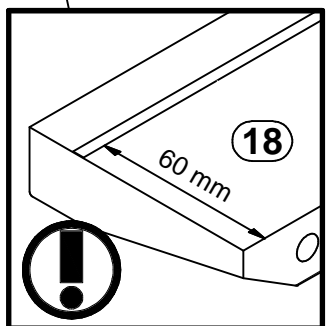
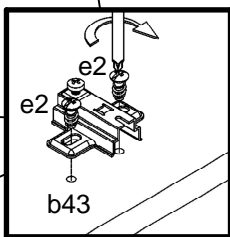
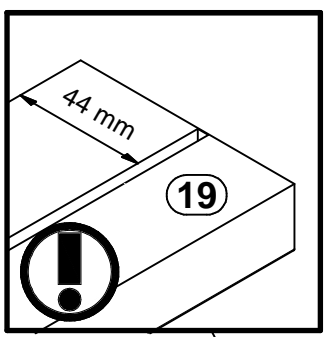
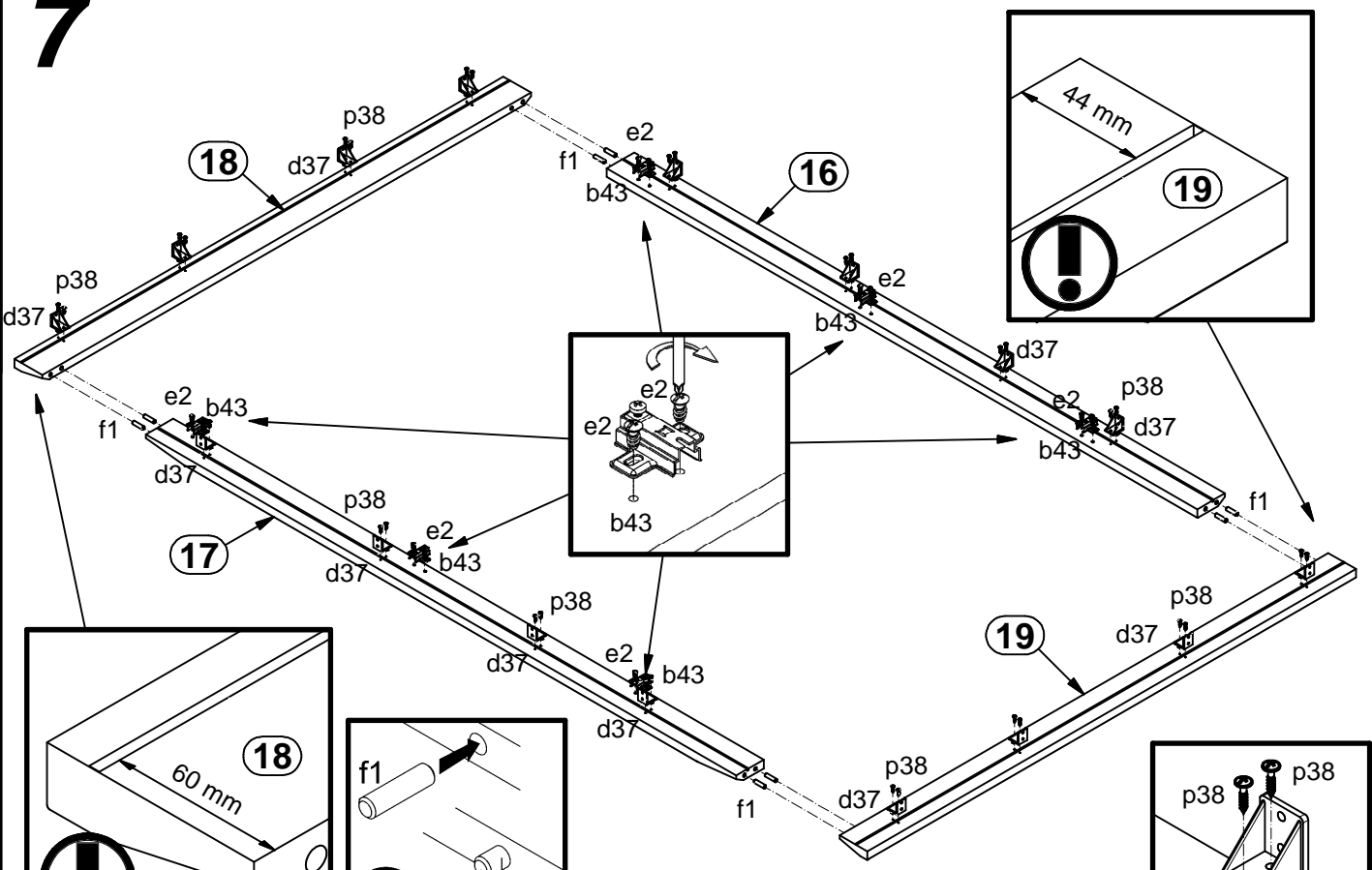




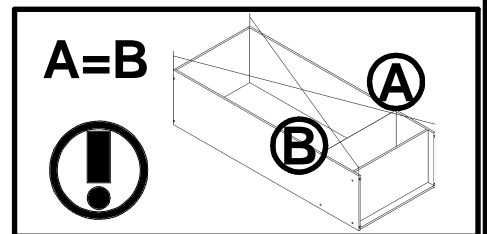
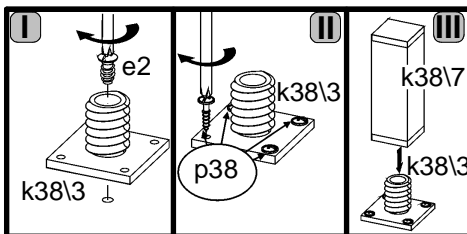
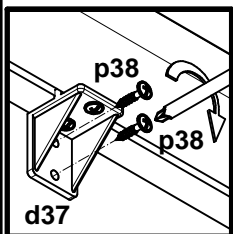
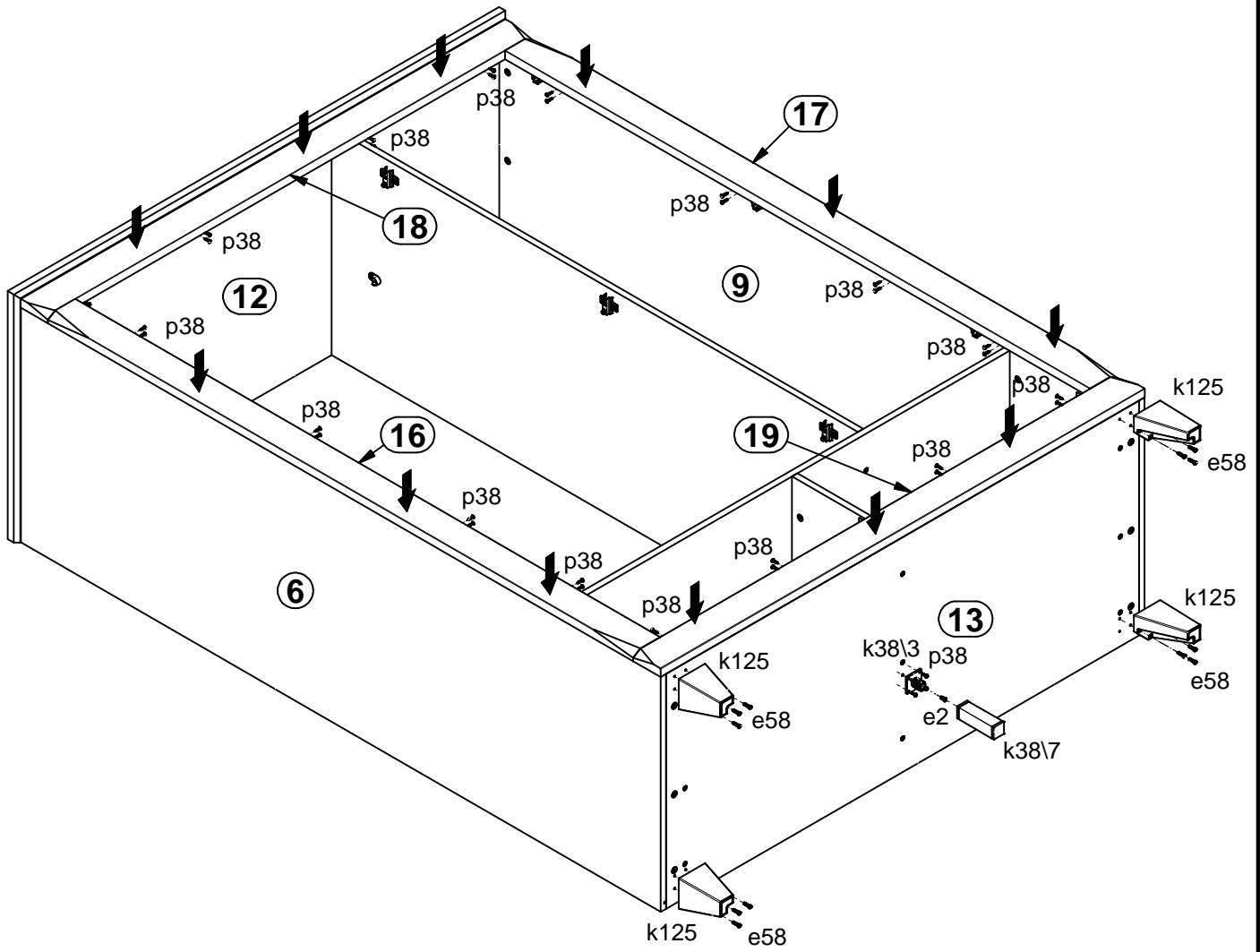
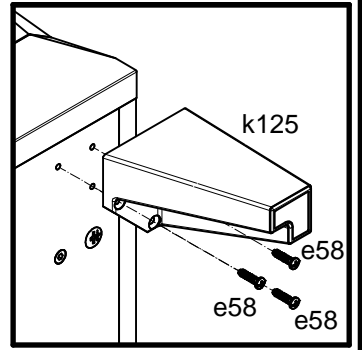
6



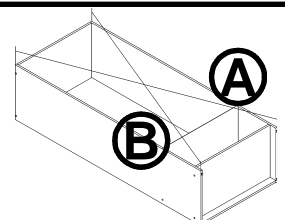
7



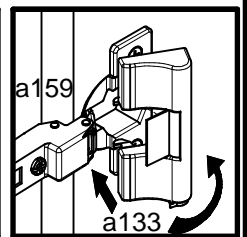
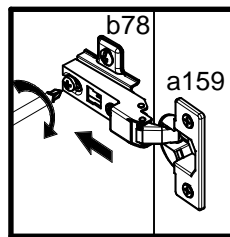
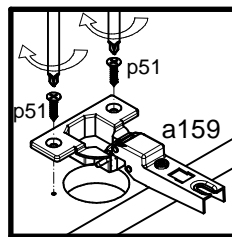
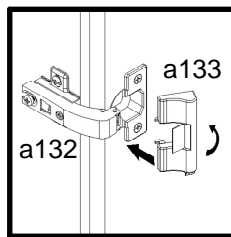
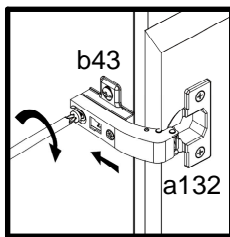
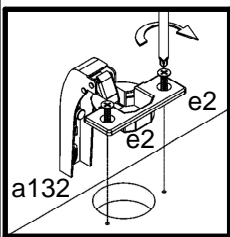
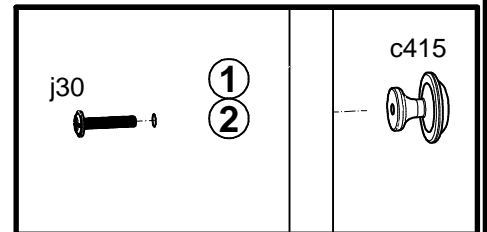
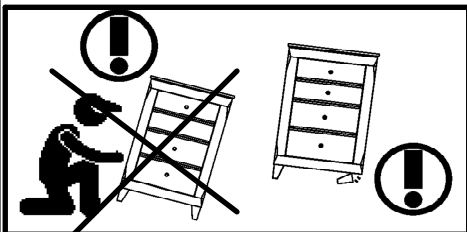
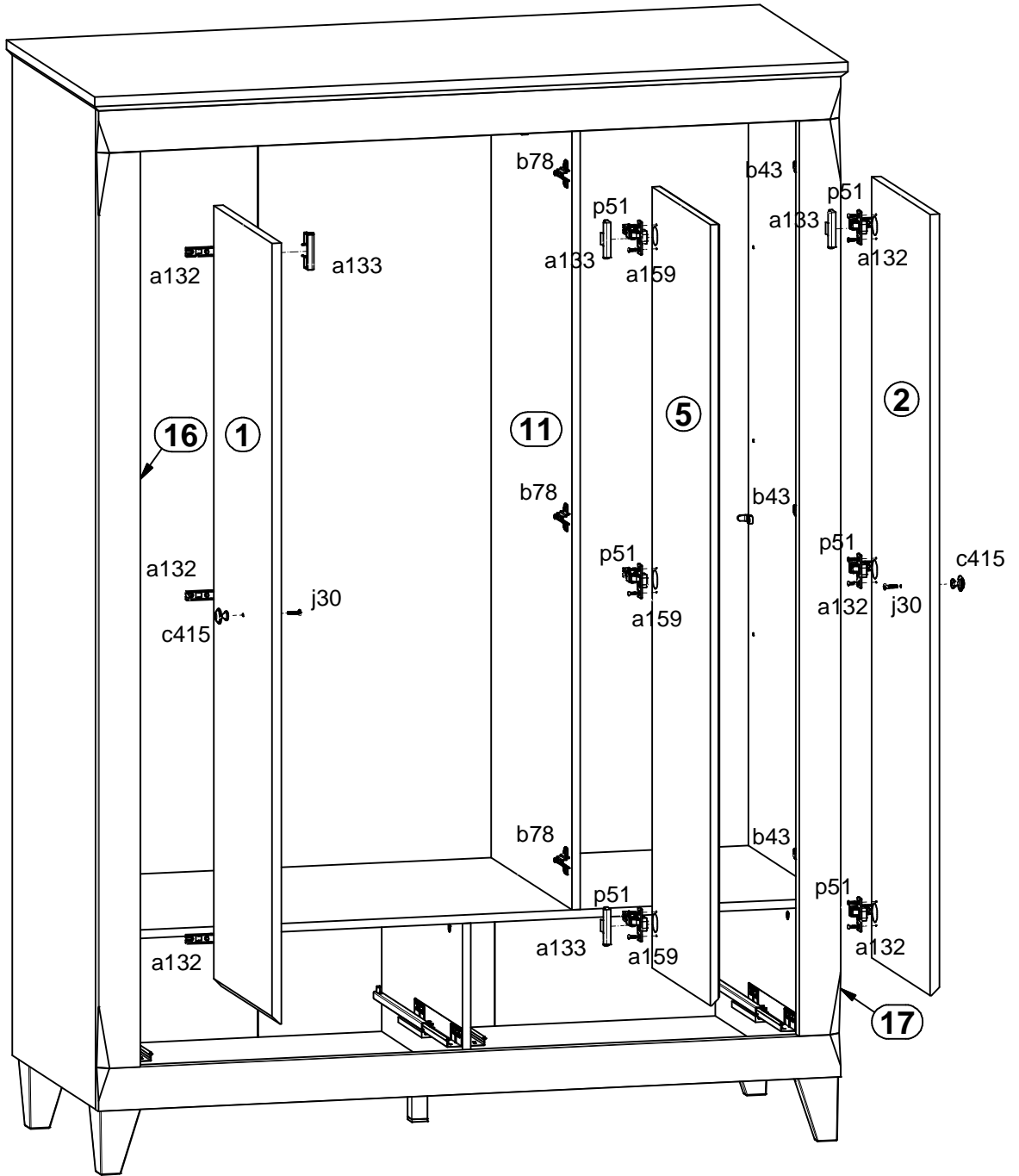
8



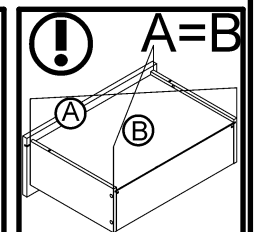
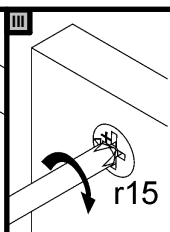
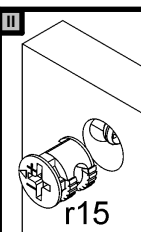
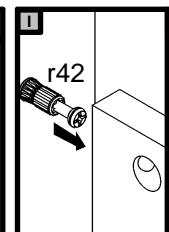
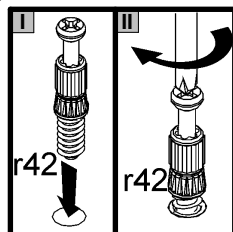
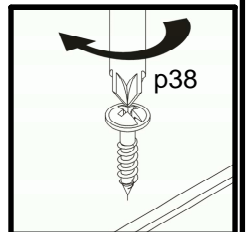
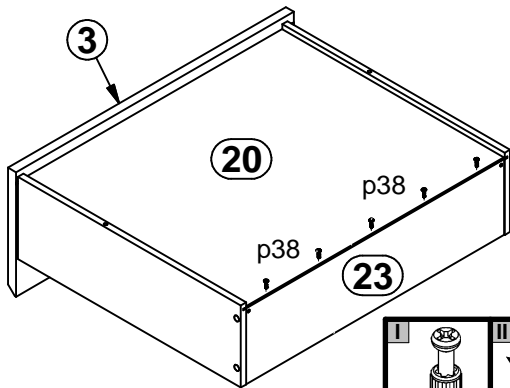
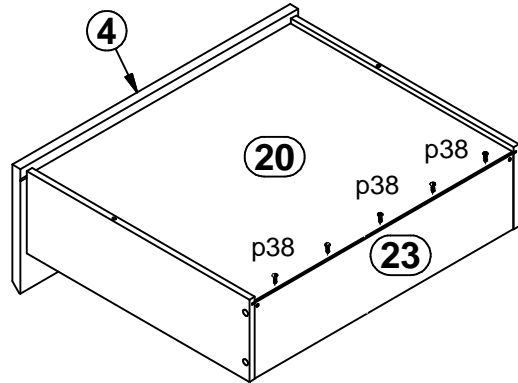
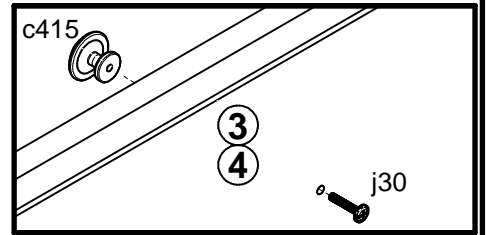
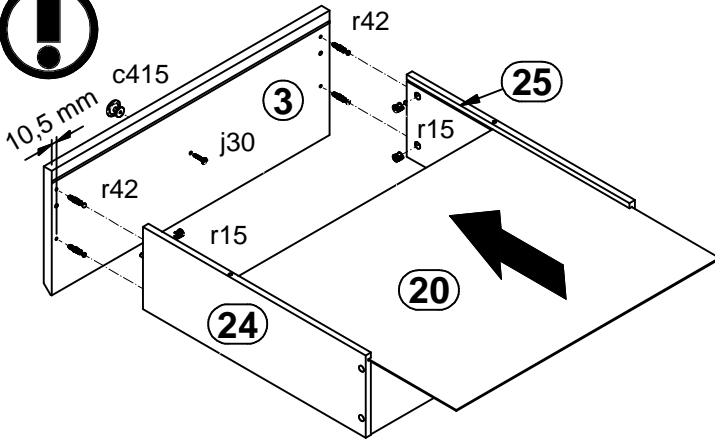
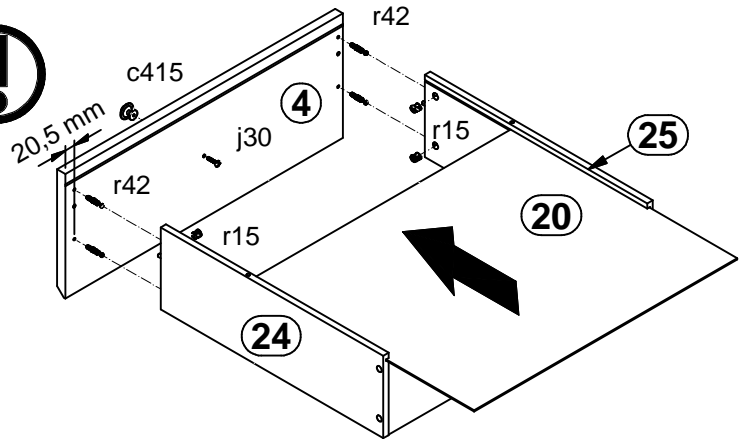
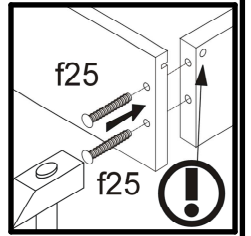
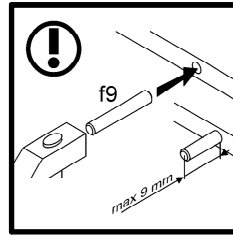
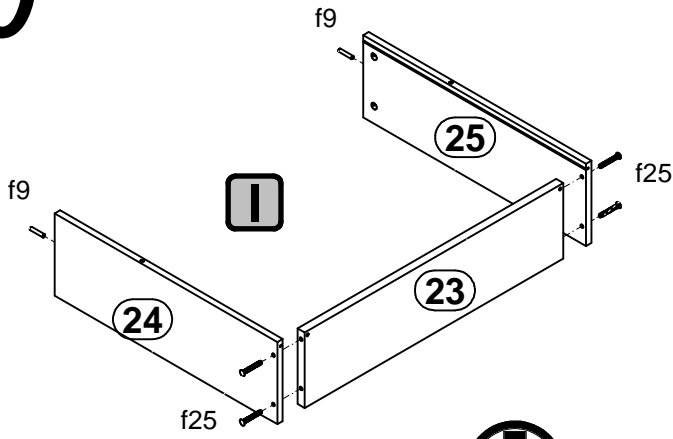
A=B



9



10



11

