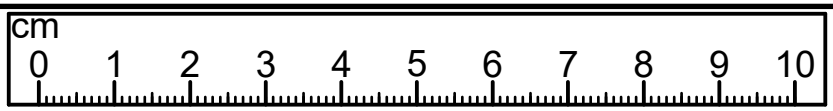
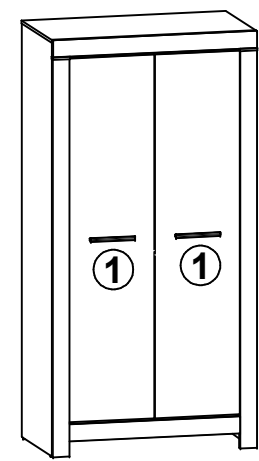
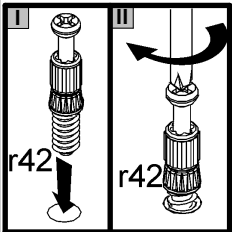
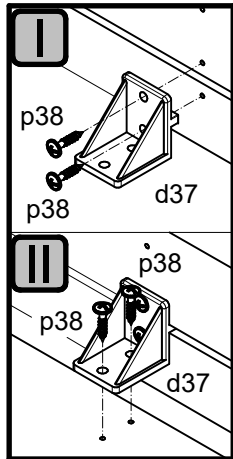
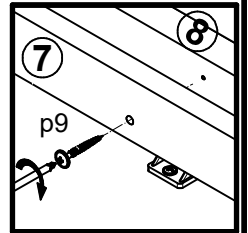
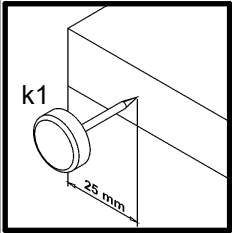
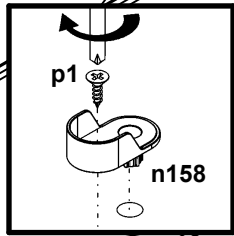
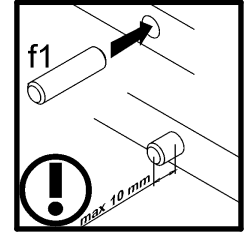
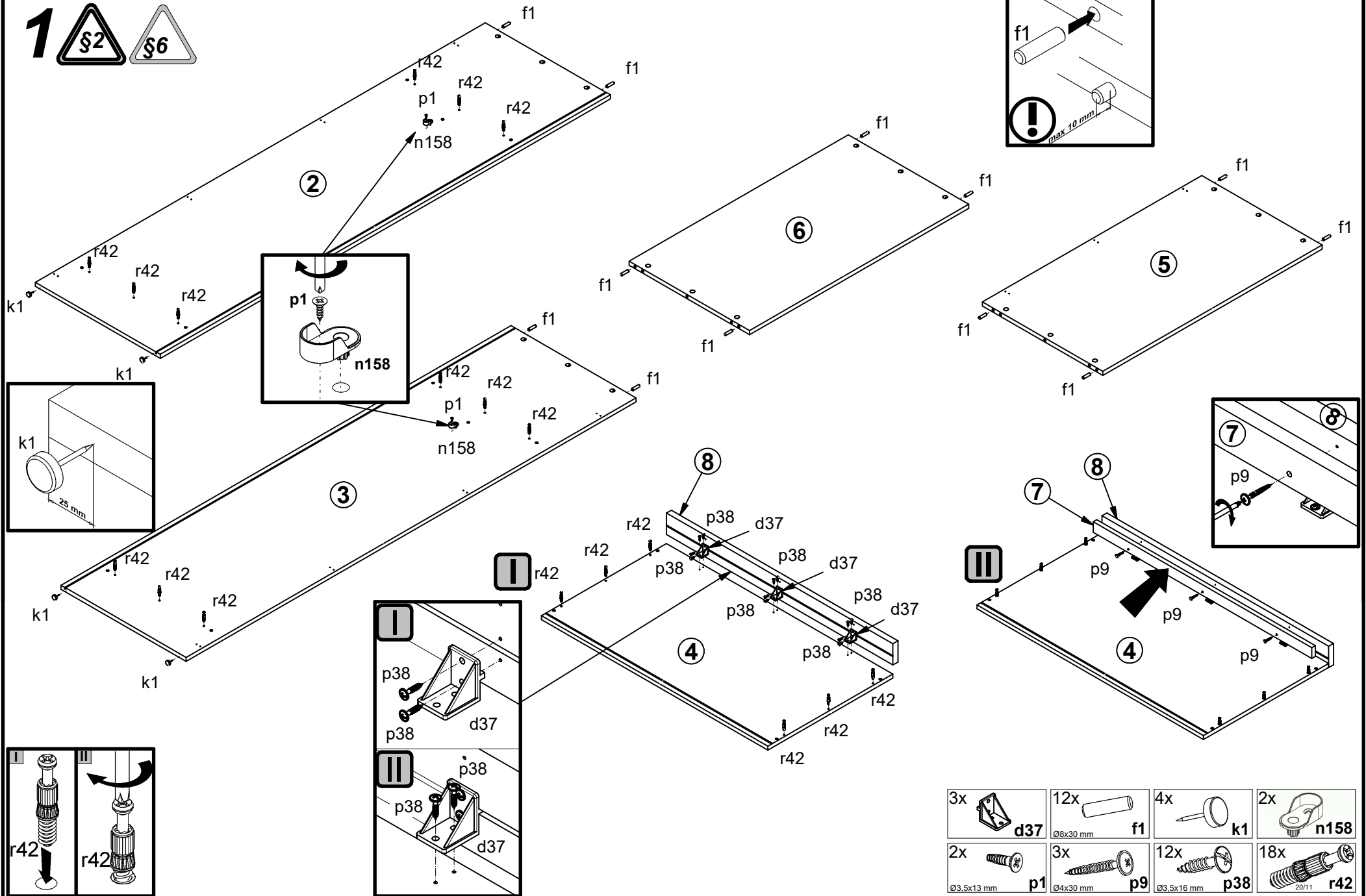


A	B	C (mm)			D
1	S365-0018	1710	406	15	3/3
2	S365-1024	1944	540	15	2/3
3	S365-1025	1944	540	15	2/3
4	S365-2006	978	540	15	1/3
5	S365-3015	947	520	15	1/3
6	S365-3016	947	520	15	1/3
7	S365-4007	944	40	15	1/3
8	S365-5033	978	80	22	2/3
9	S365-5034	818	80	19	2/3
10	S365-9307	1800	955	2,5	2/3
11	S392-5017	1870	80	22	2/3
12	S392-5018	1870	80	22	2/3
13	dr-943	943	30	15	1/3

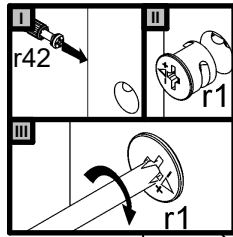


8x  a132	2x  a133	8x  b43	2x  c329\2	14x  d37	16x  e2 Ø6,3x13 mm	12x  f1 Ø8x30 mm	1x  f35 Ø10x50 mm	4x  k1	2x  k123	20x  l1	14x  l2	1x  n142 86x21x151,5
2x  n158	2x  p1 Ø3,5x13 mm	4x  p8 Ø4x25 mm	3x  p9 Ø4x30 mm	4x  p14 Ø3x20 mm	1x  p17 Ø5x60 mm	58x  p38 Ø3,5x16 mm	16x  p51 Ø3,5x15 mm	18x  r1 Ø15x12 mm #16	18x  r42 20/11	12x  s2 Ø16		

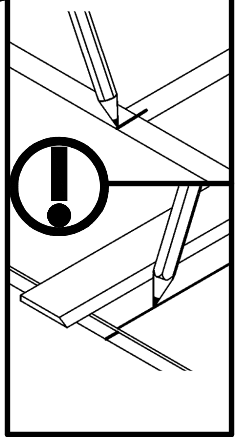


3x  d37	12x  Ø8x30 mm f1	4x  k1	2x  n158
2x  Ø3,5x13 mm p1	3x  Ø4x30 mm p9	12x  Ø3,5x16 mm p38	18x  20/11 r42

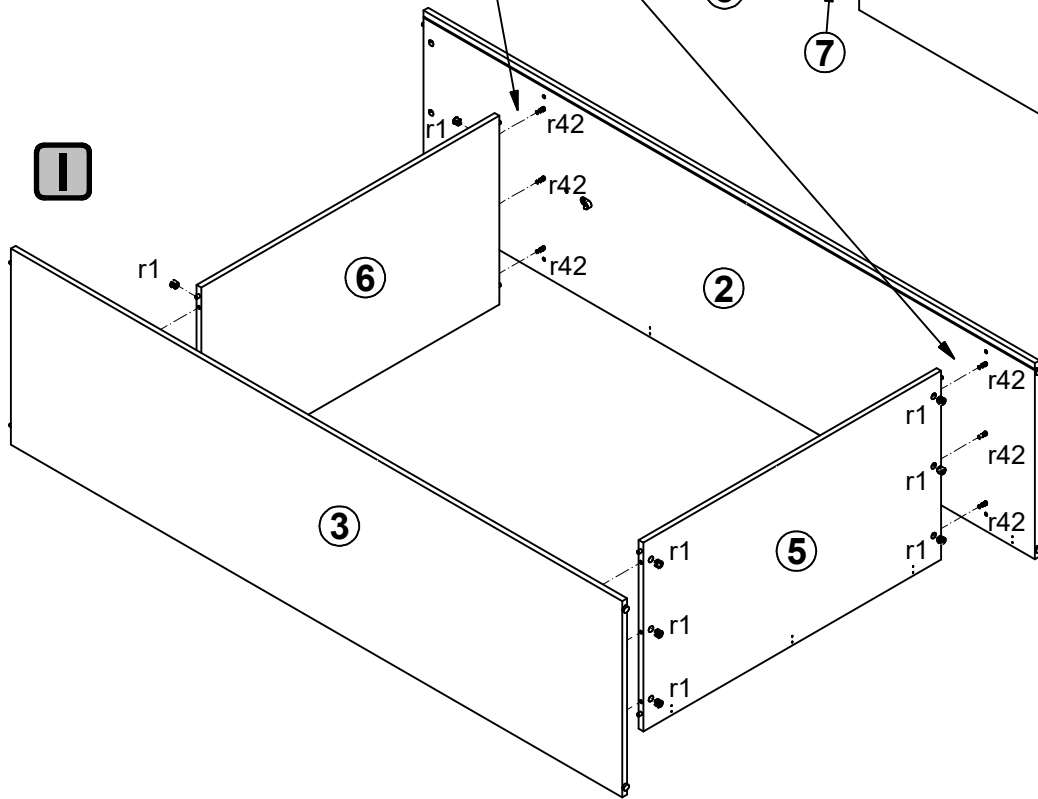
**2** 




**II**

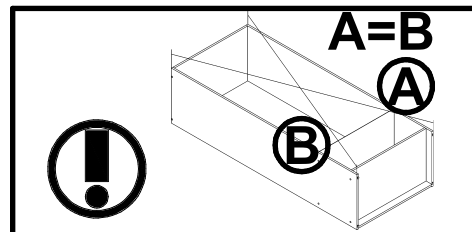
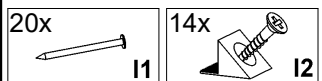
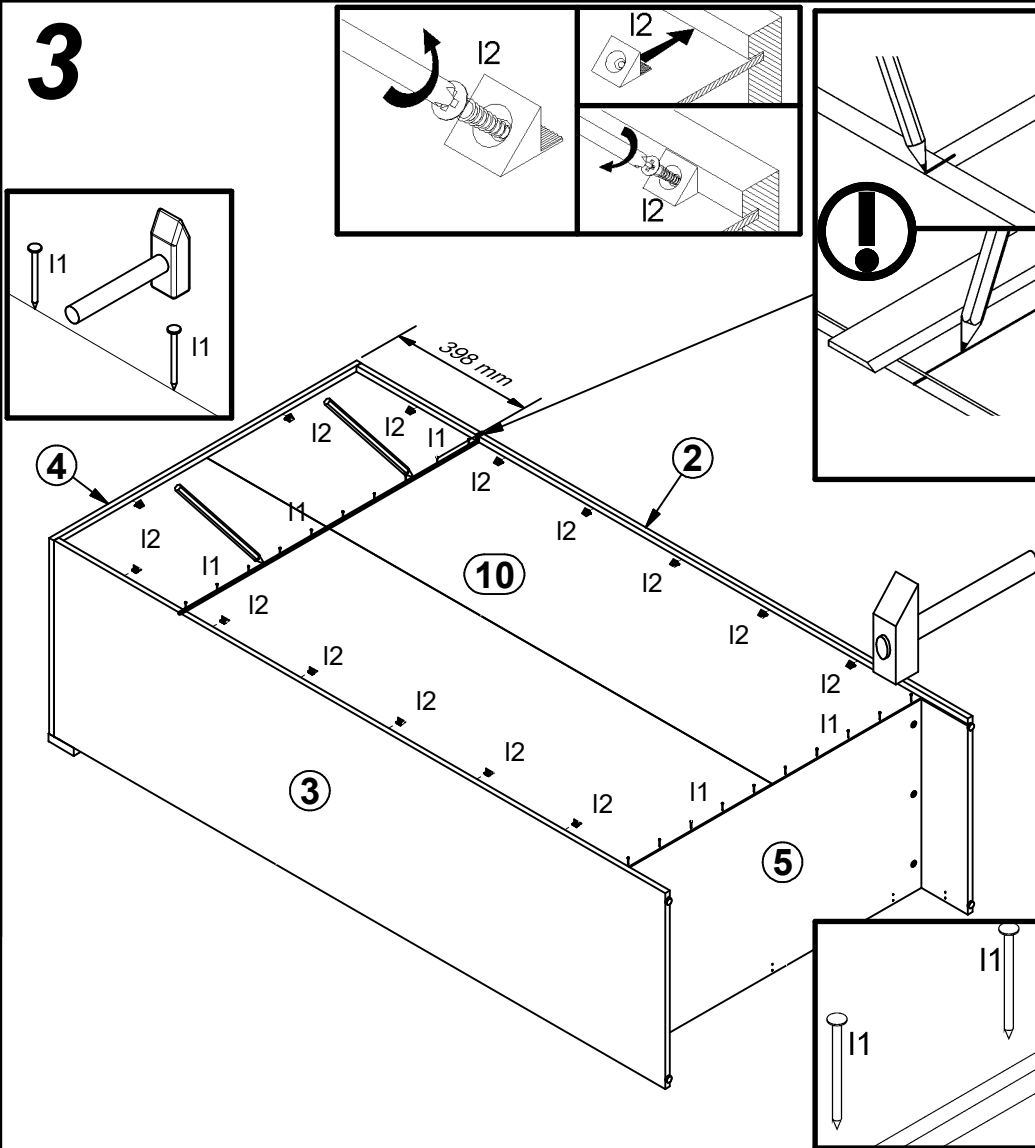


**I**

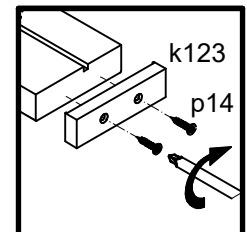
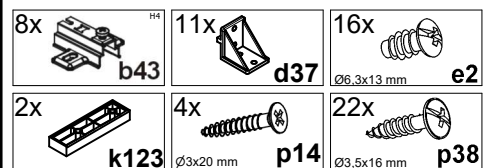
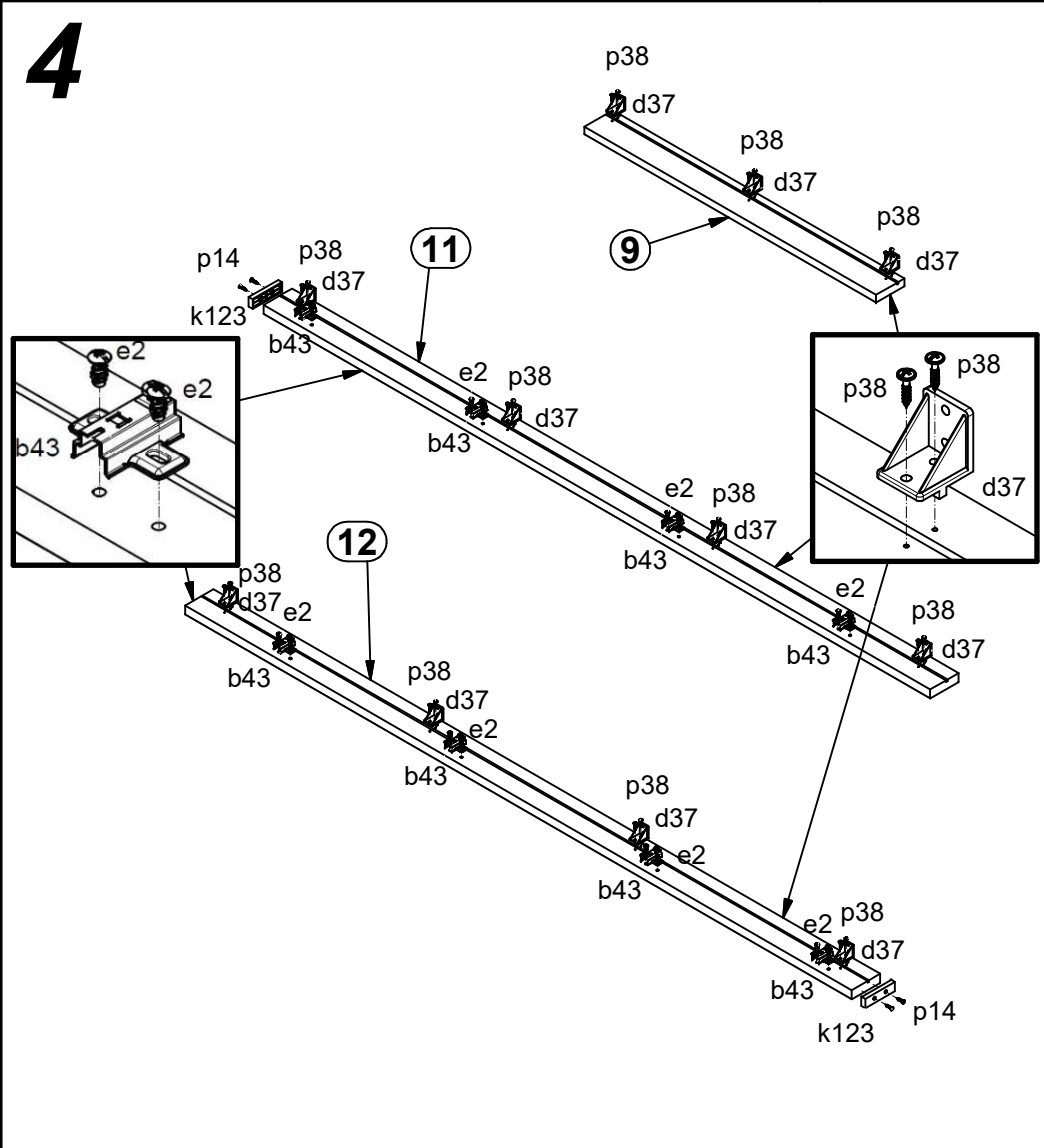


18x  r1  
Ø15x12 mm #16

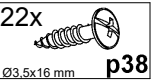
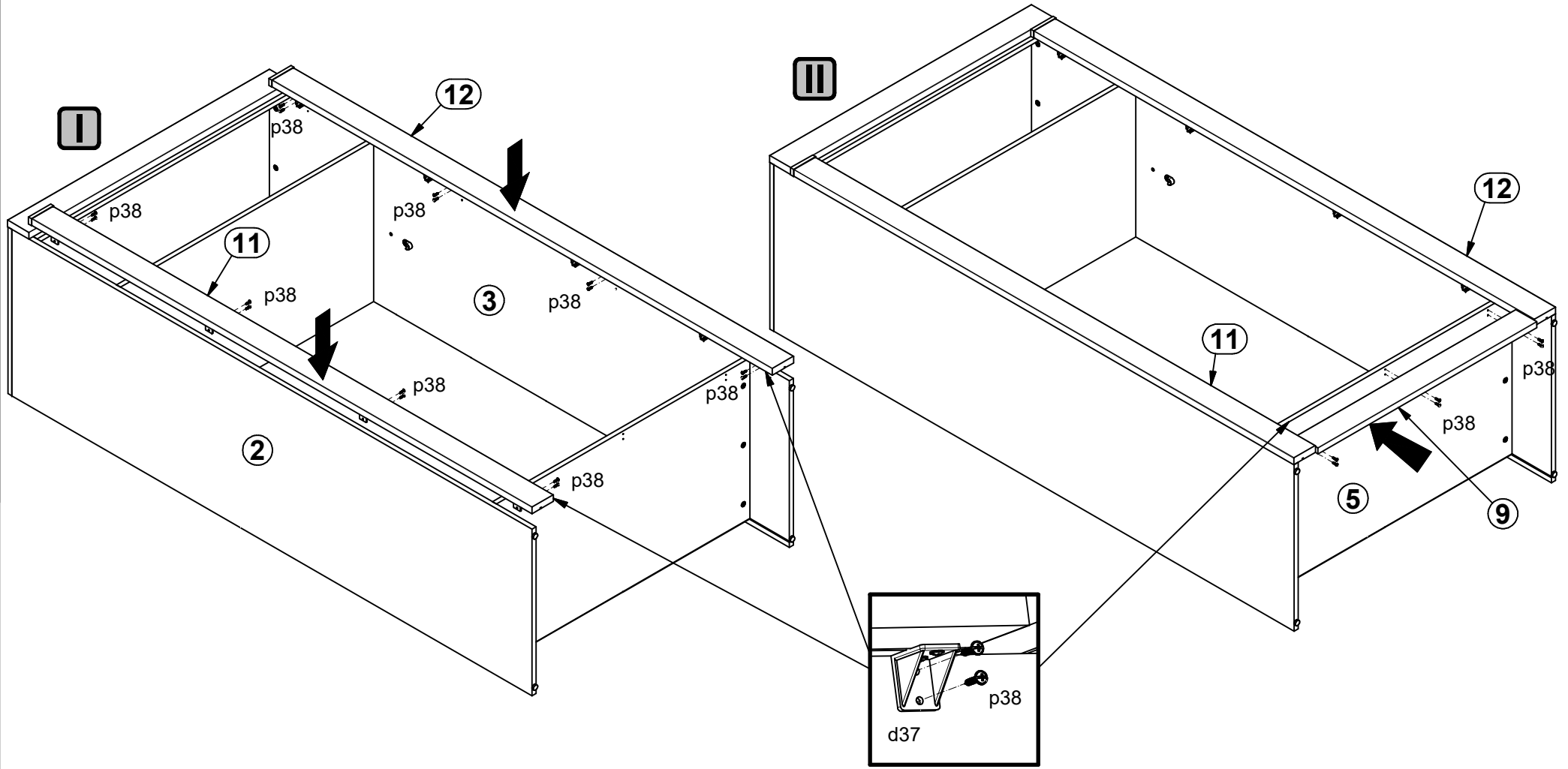
3



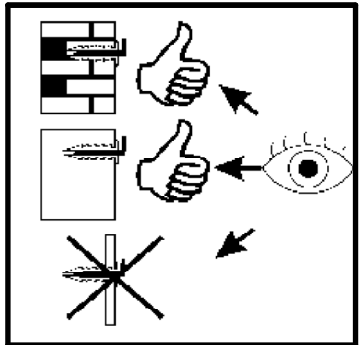
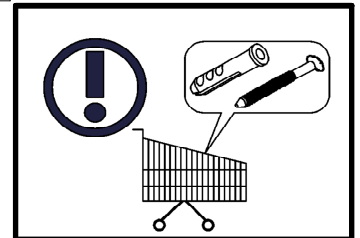
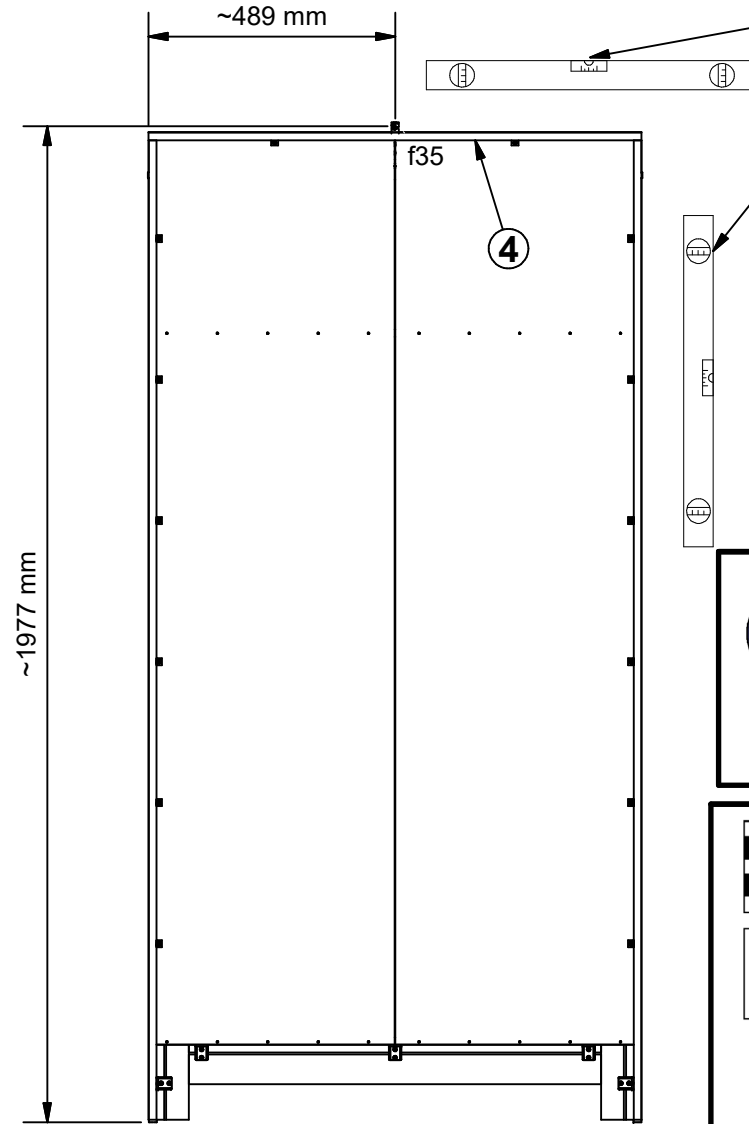
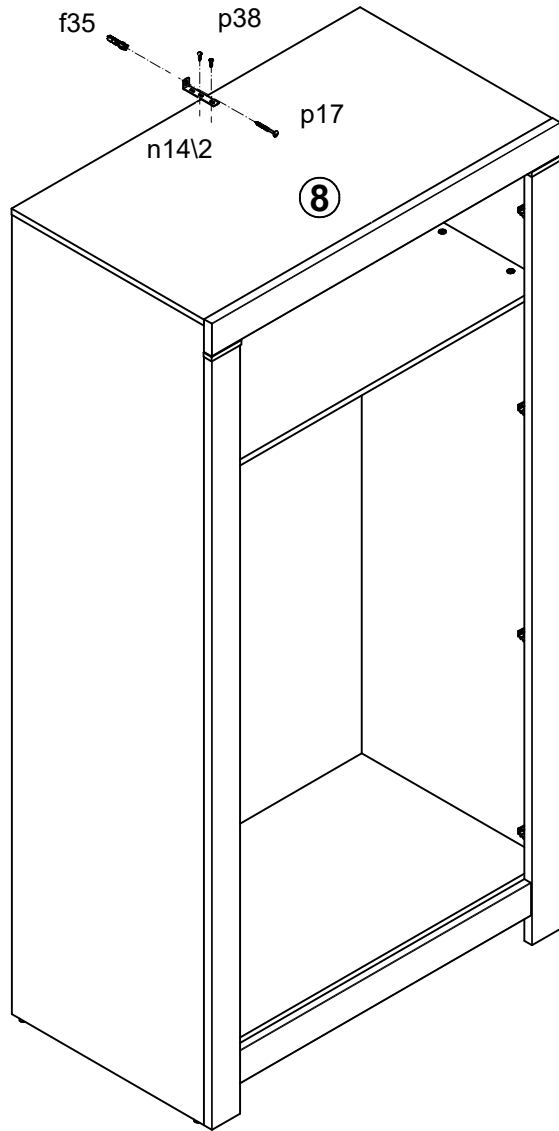
4



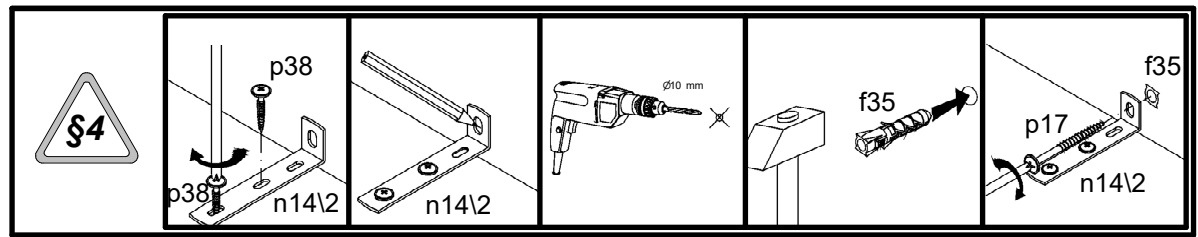
# 5



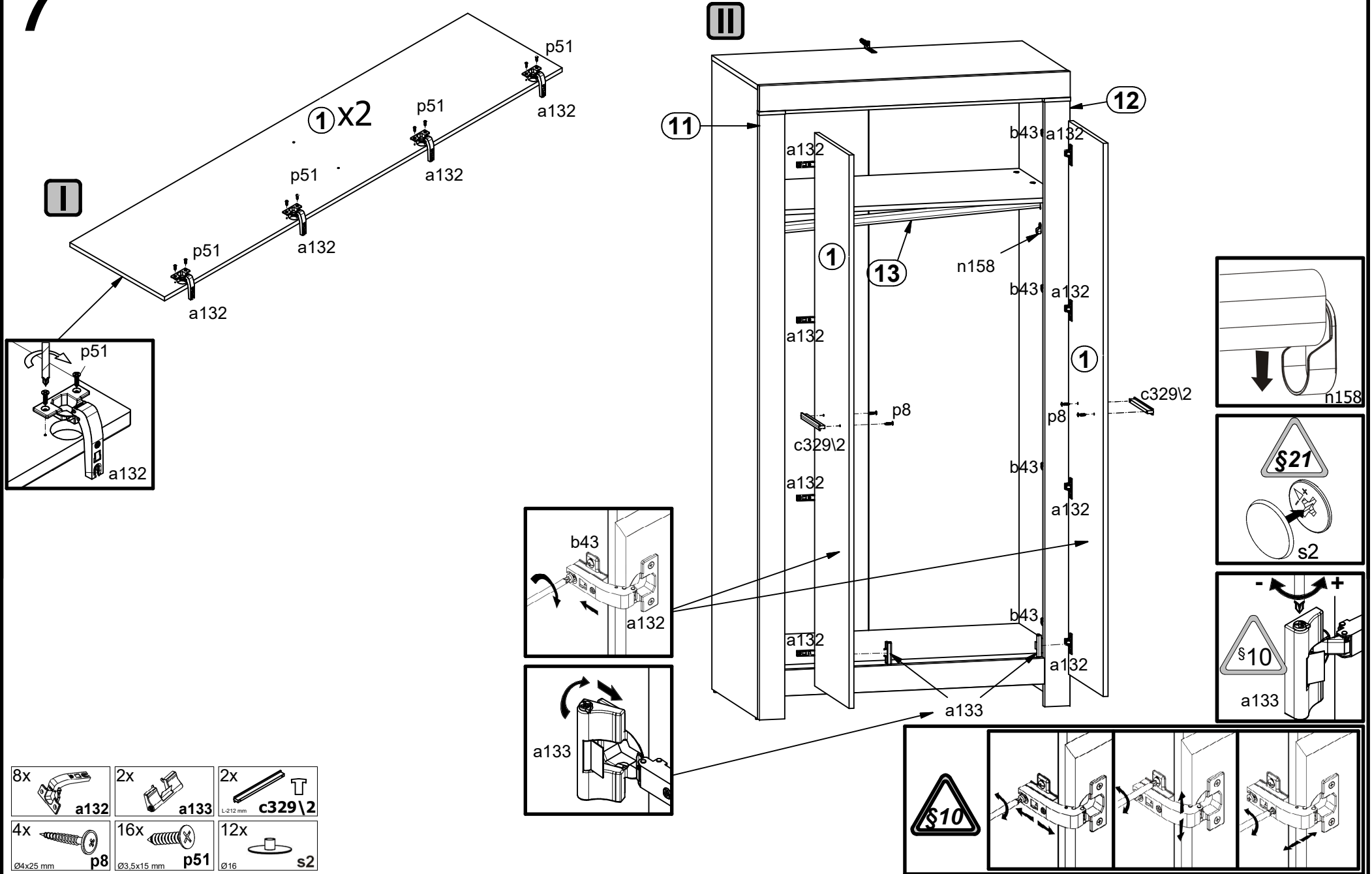
# 6




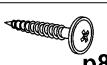




- 1x f35
- 1x n14/2
- 1x p17
- 2x p38



7



- |  |  |  |
|--|--|--|
| 8x<br><br>a132        | 2x<br><br>a133            | 2x<br><br>L-212 mm c329\2 |
| 4x<br><br>Ø4x25 mm p8 | 16x<br><br>Ø3,5x15 mm p51 | 12x<br><br>Ø16 s2         |