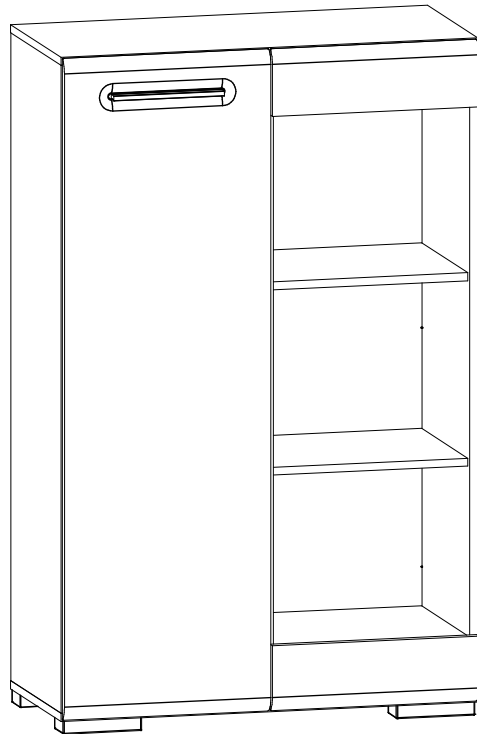
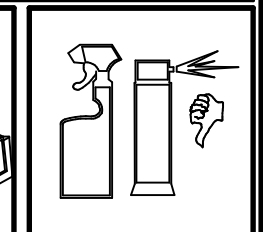
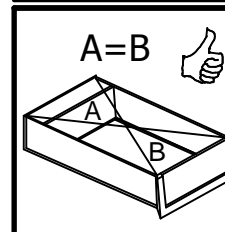
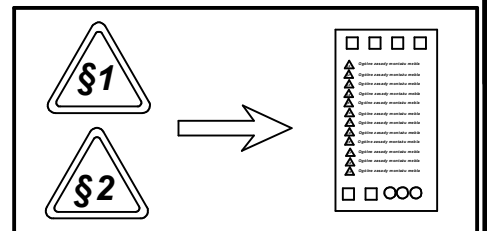
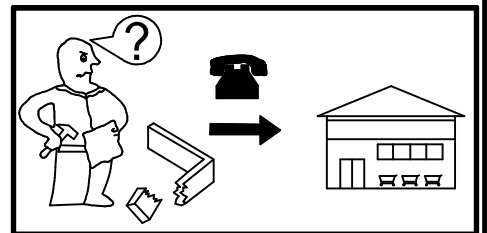
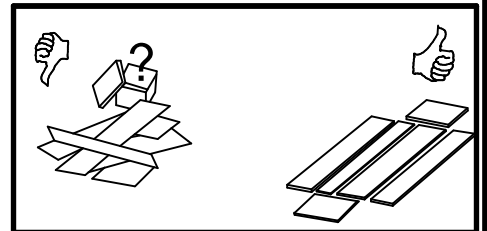
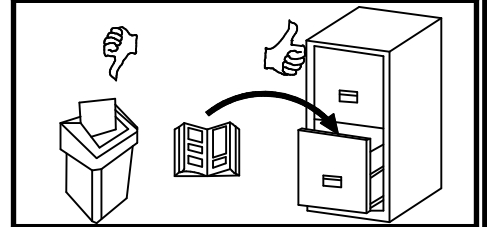
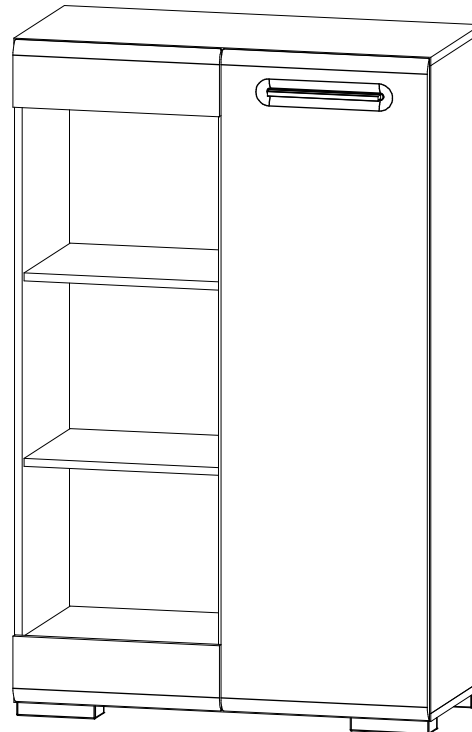


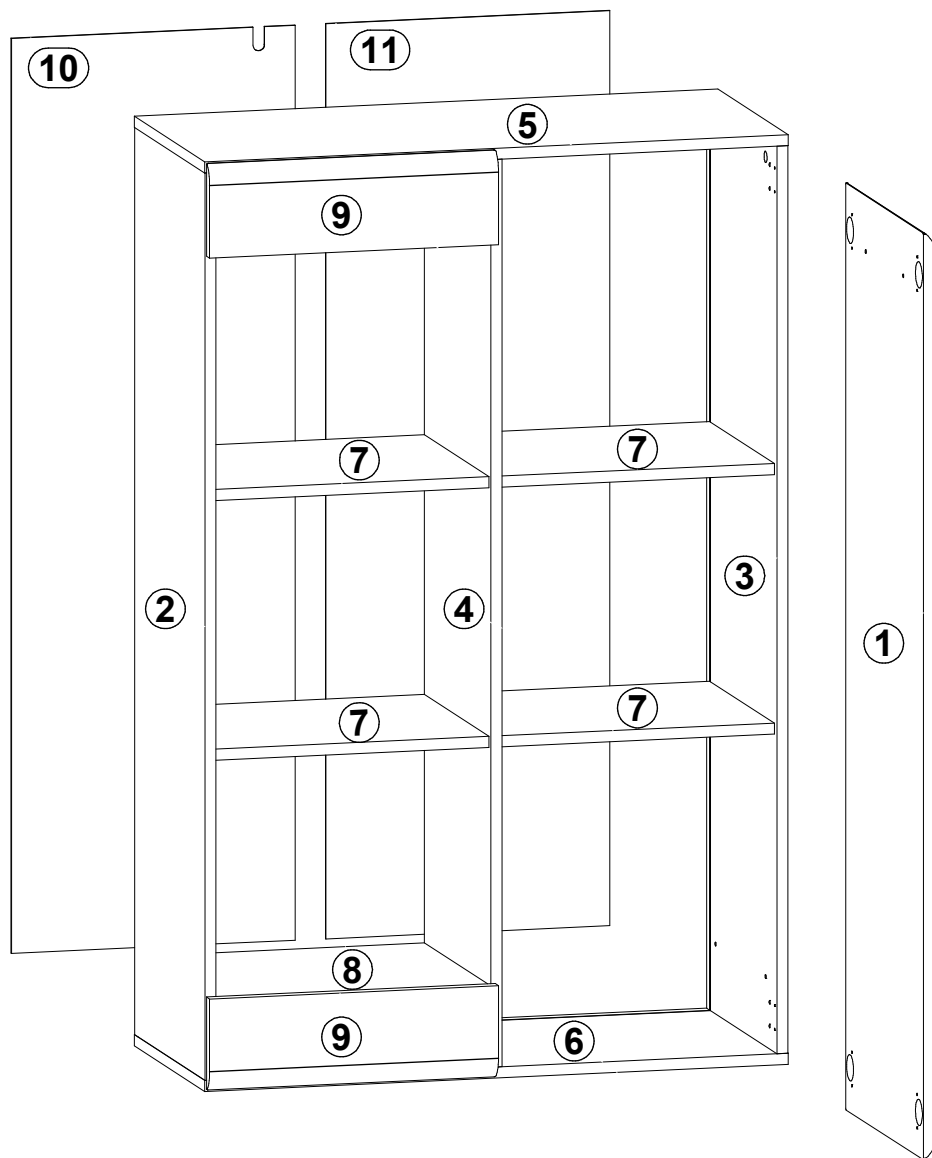
A



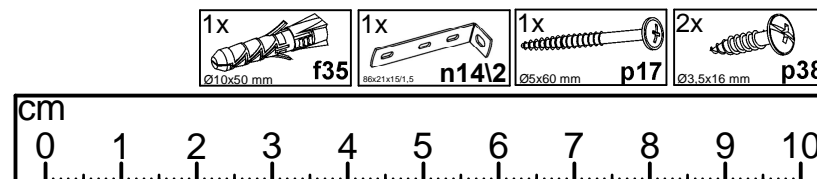
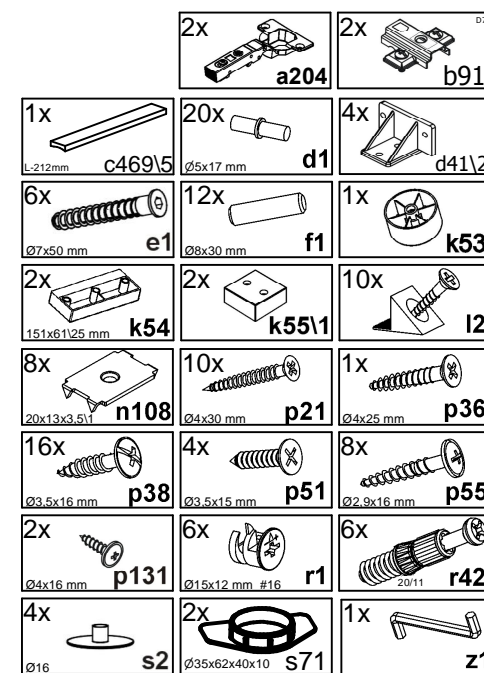
B



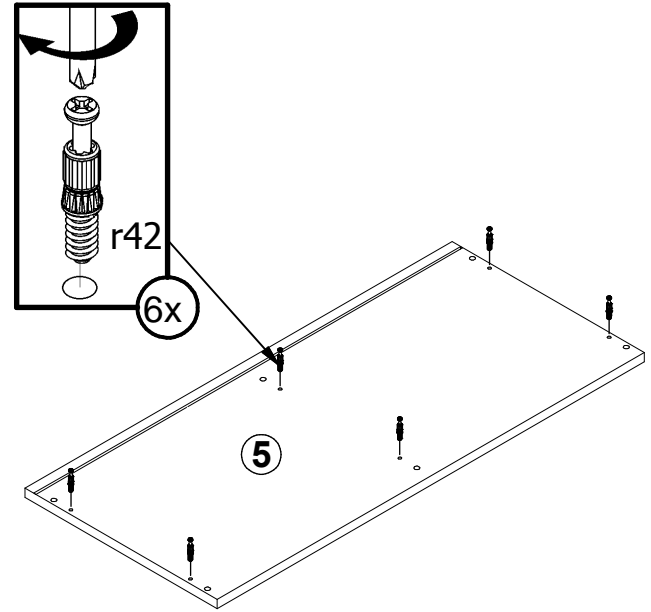
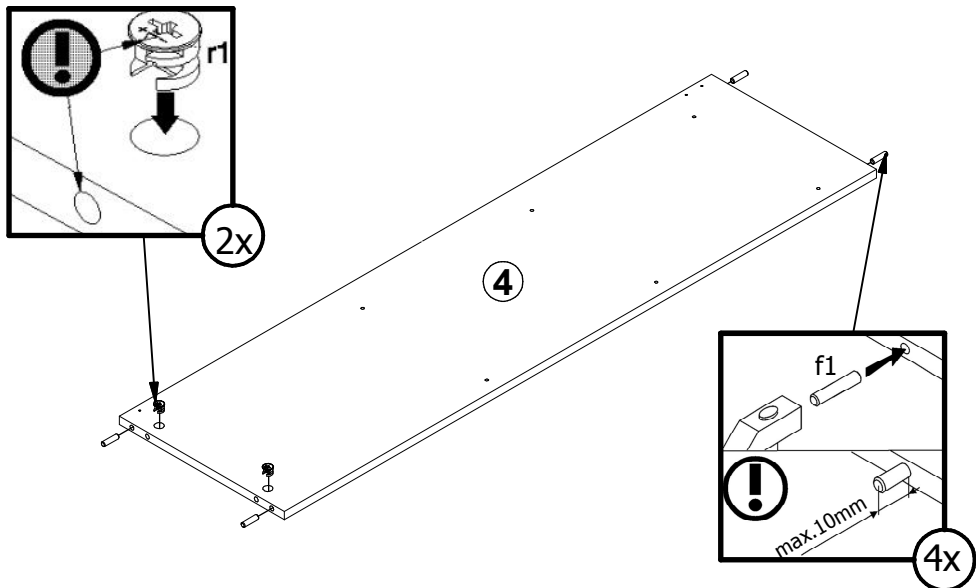
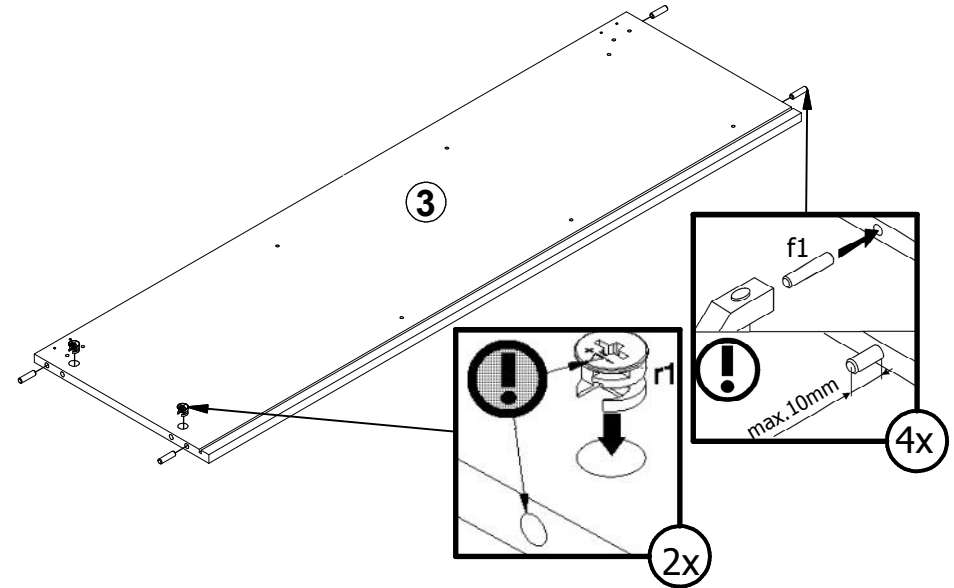
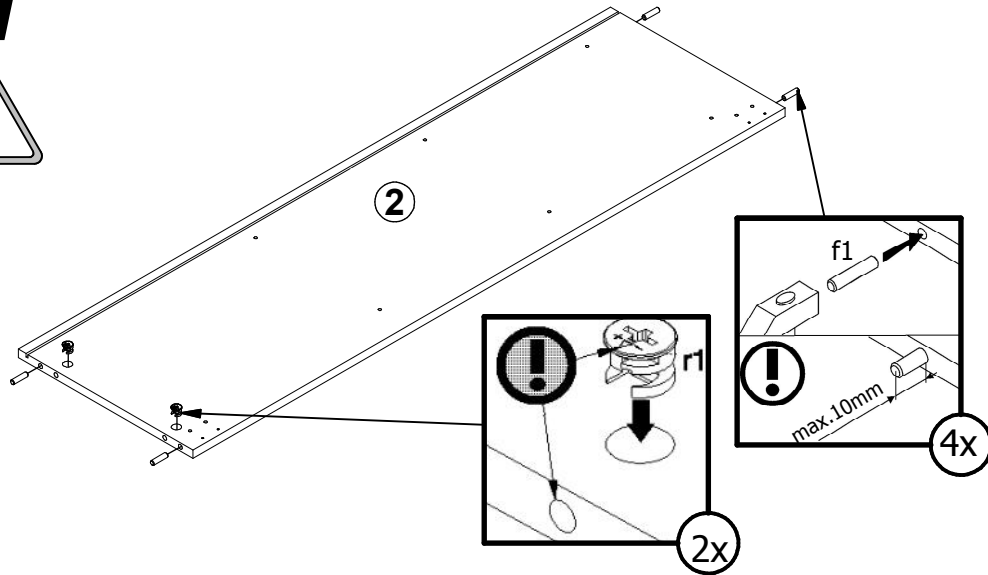
40min

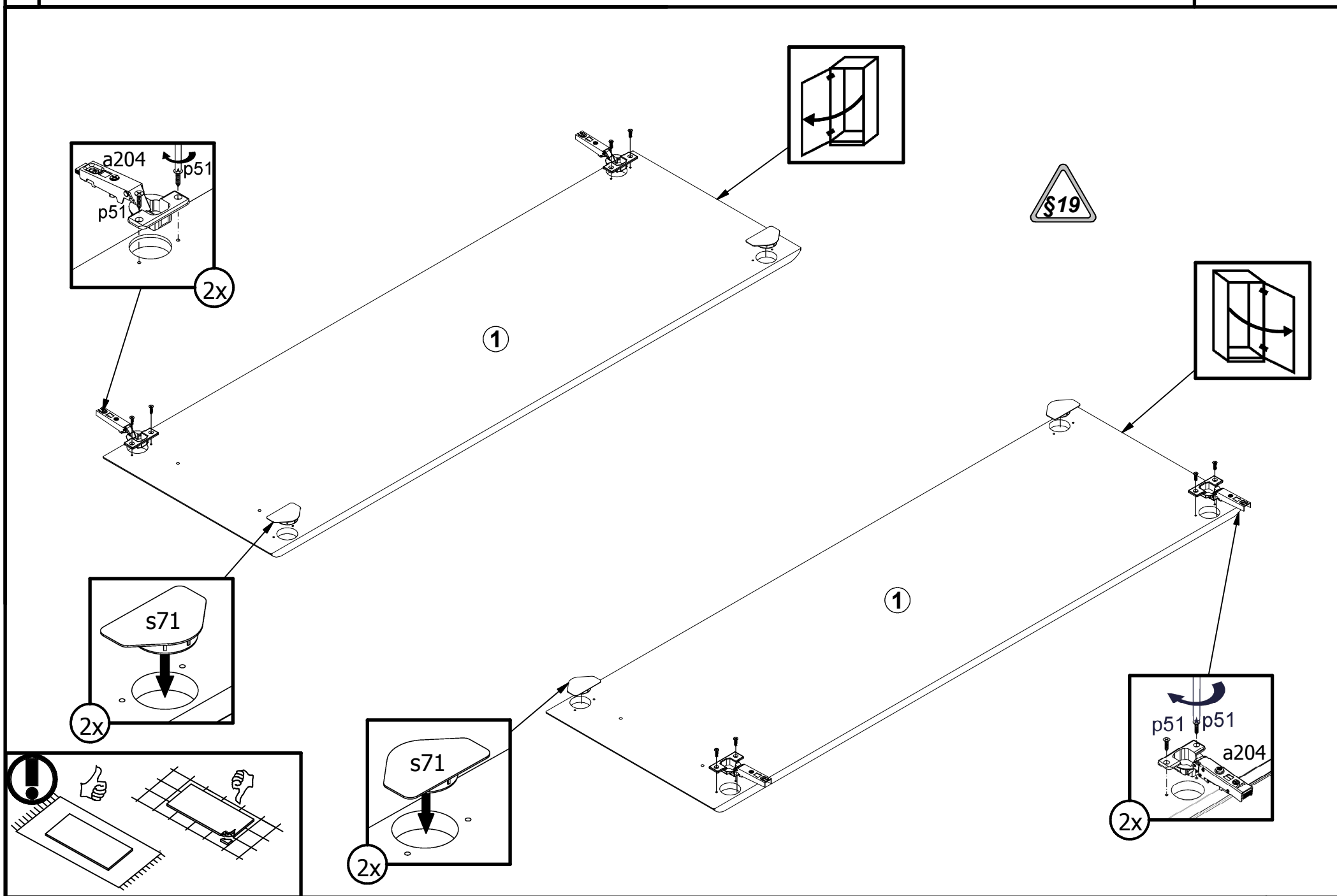


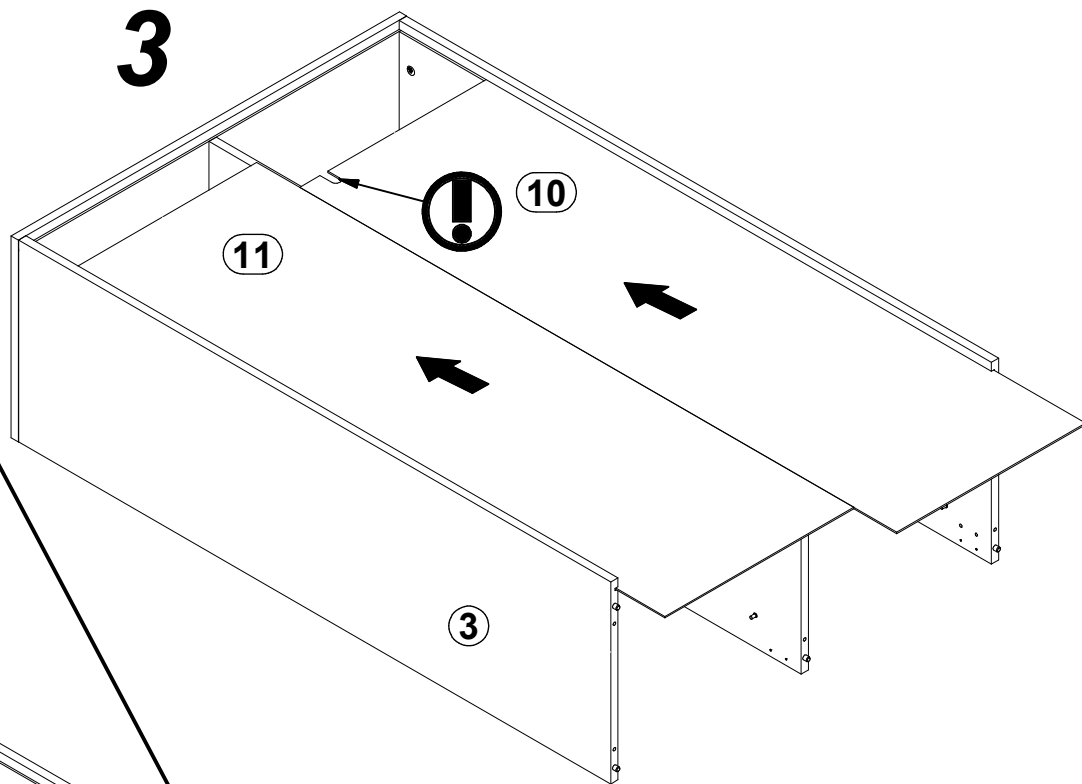
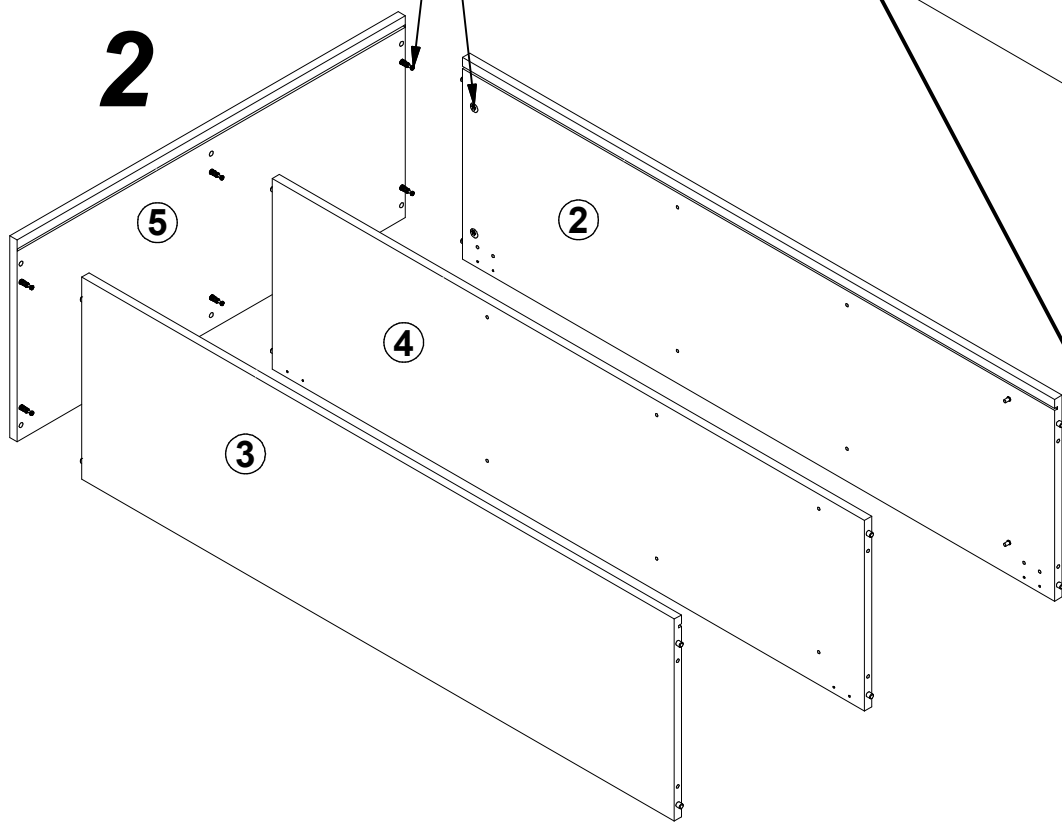
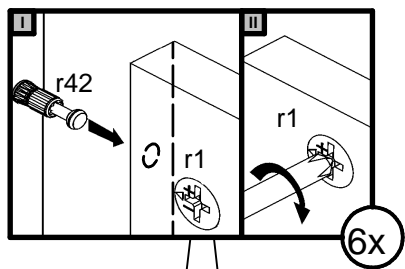
A	B	C1	C2	C3	D
1	S513-0003	1246	396	16	2/2
2	S513-1009	1220	360	15	2/2
3	S513-1010	1220	360	15	2/2
4	S513-1011	1220	340	15	2/2
5	S513-2006	800	360	15	1/2
6	S513-2007	800	360	15	1/2
7	S513-3009	376	330	15	1/2
8	S513-3010	376	340	15	2/2
9	S513-7004	125	396	16	2/2
10	S513-9003	1230	389,	2,5	2/2
11	S513-9004	1230	389,	2,5	2/2

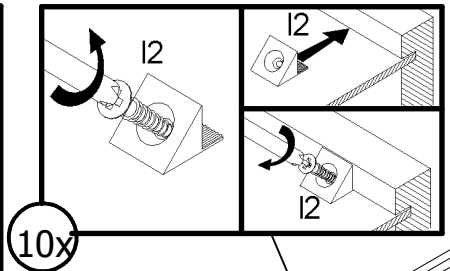
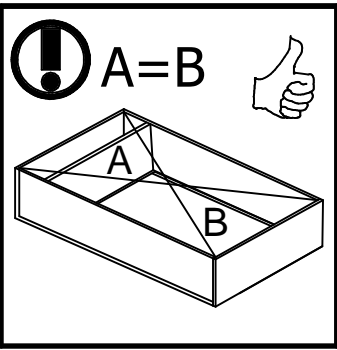


1

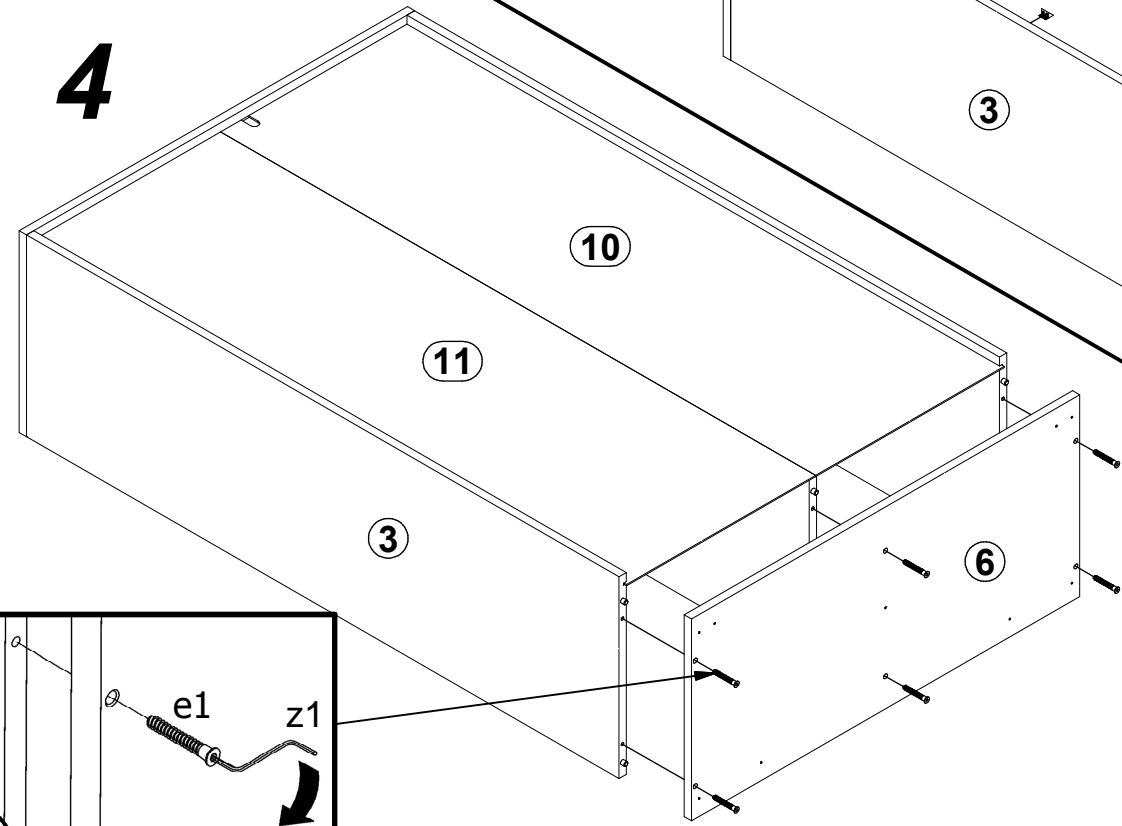
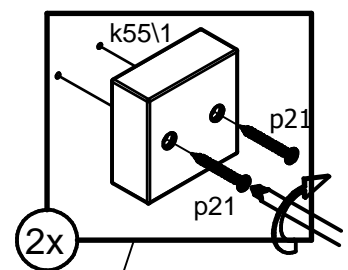
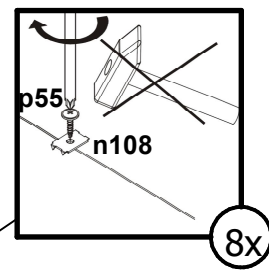




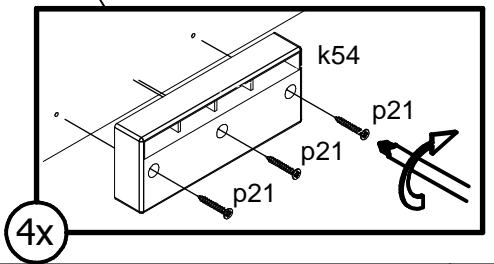
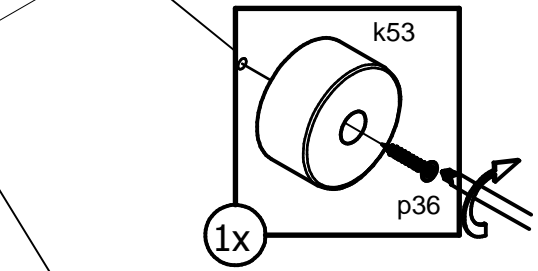
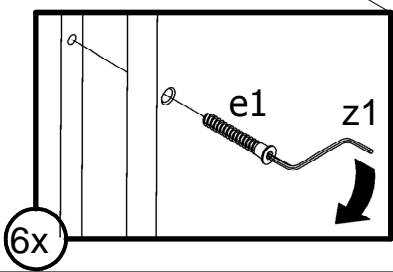


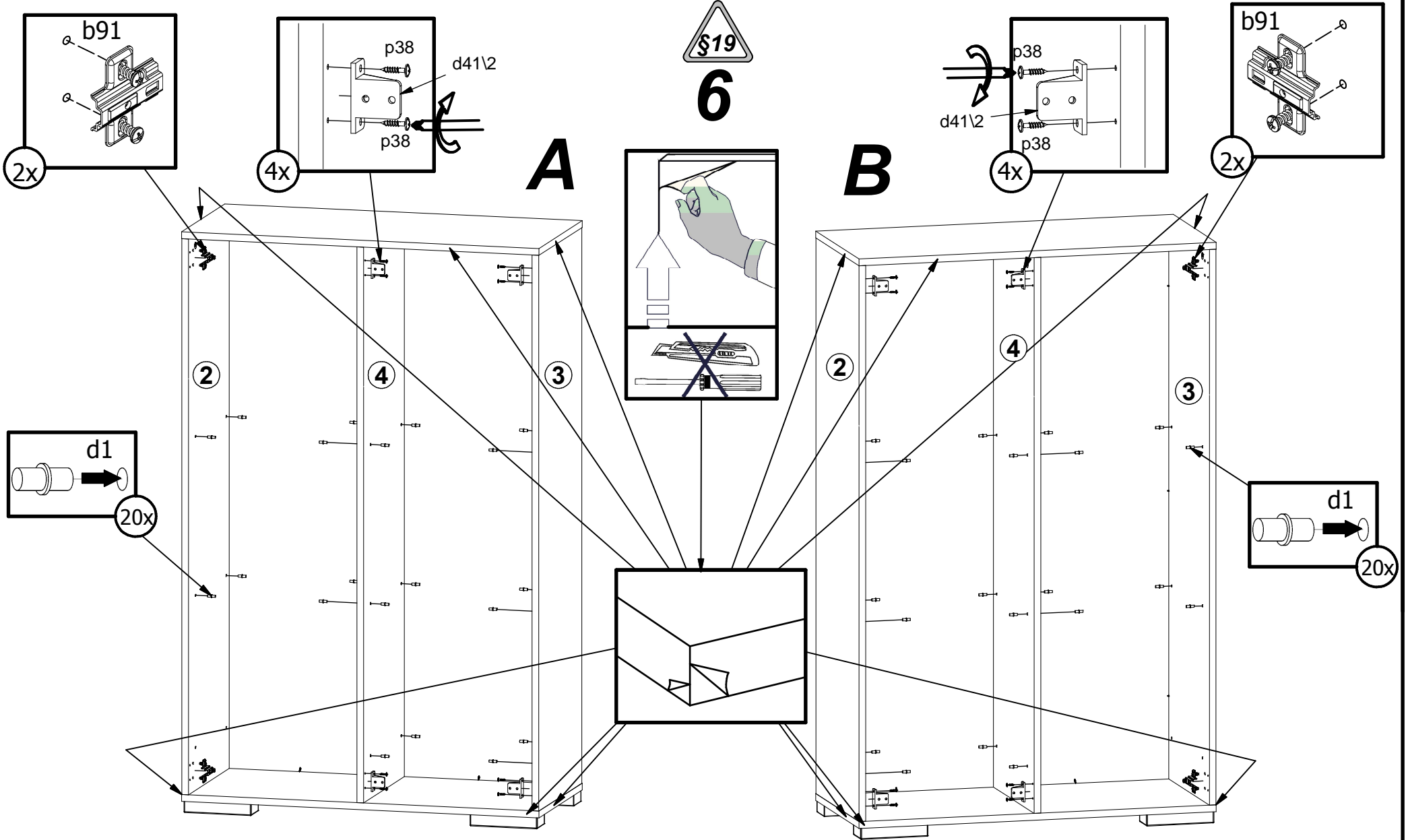


5

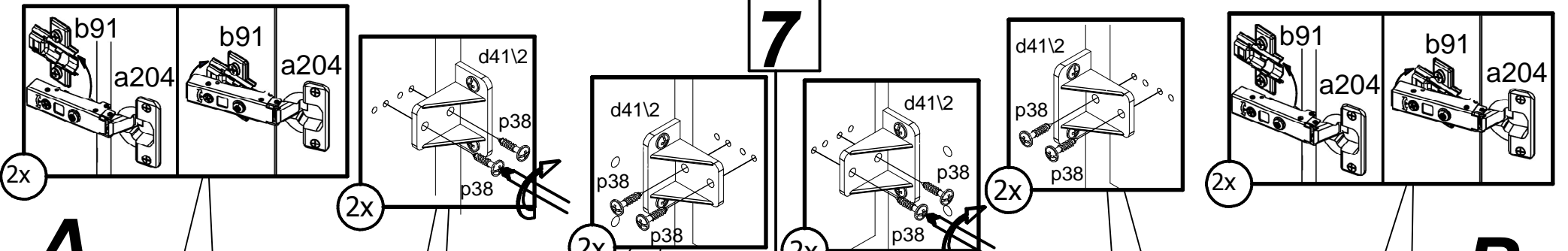


4



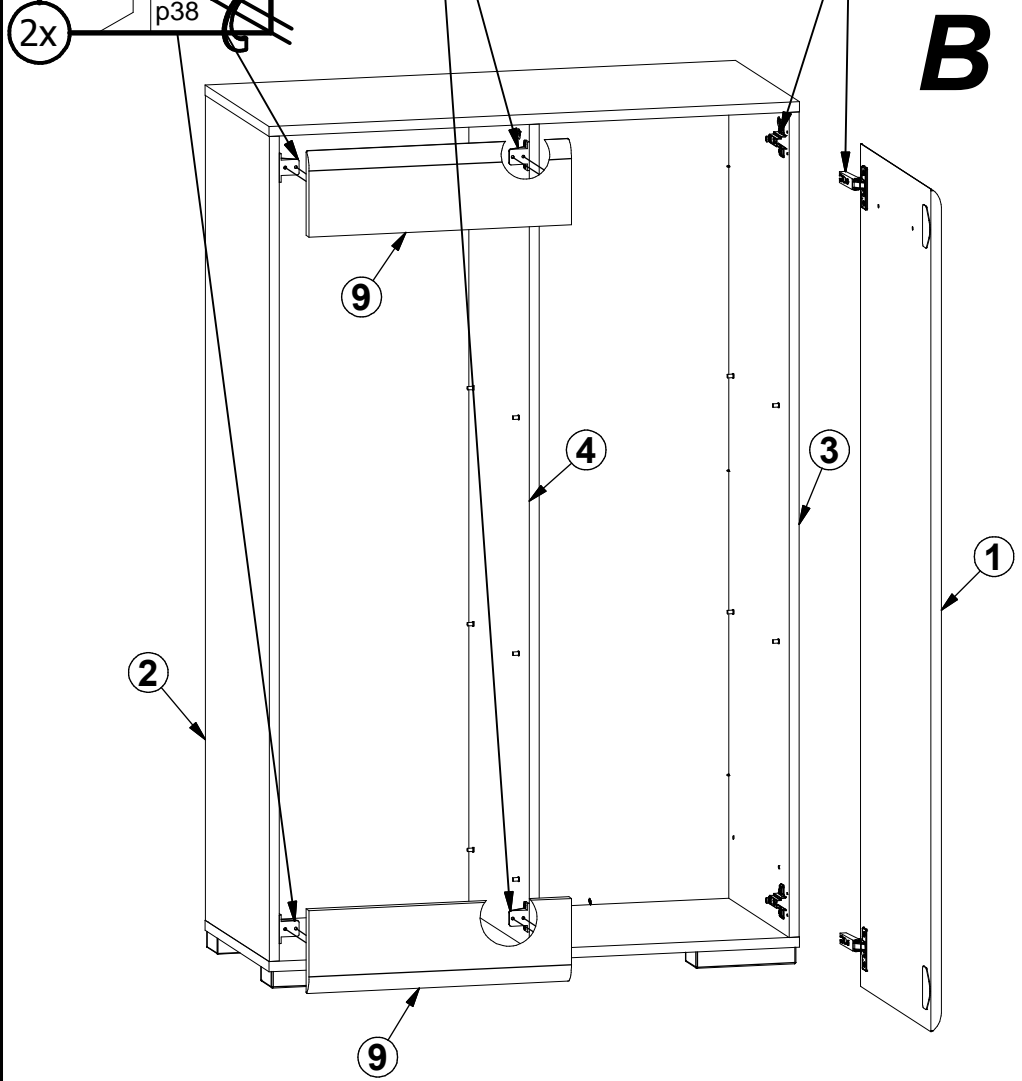
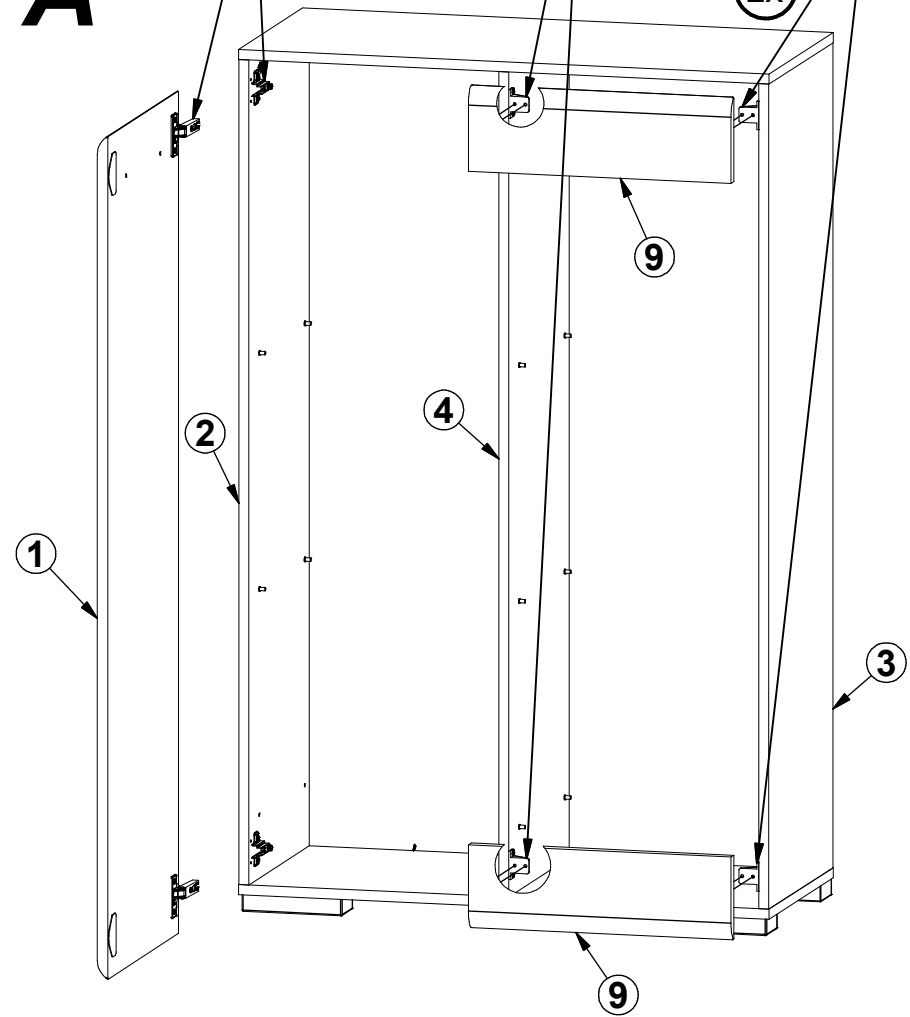


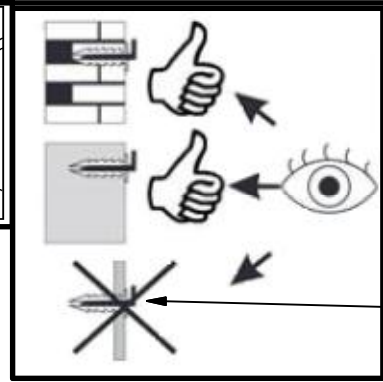
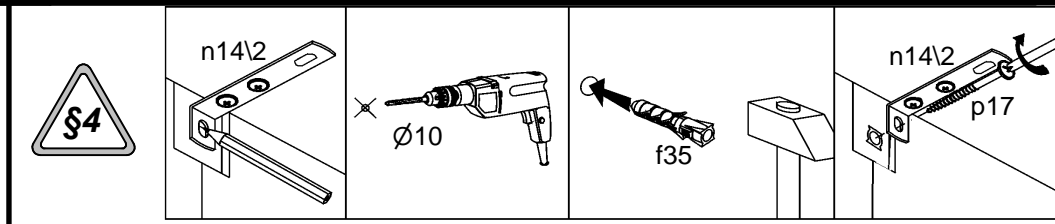
7



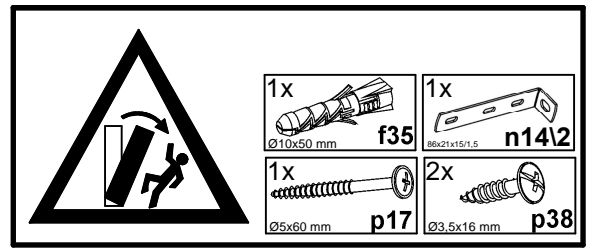
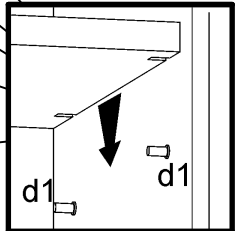
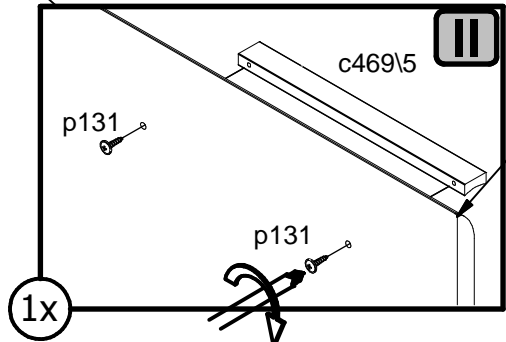
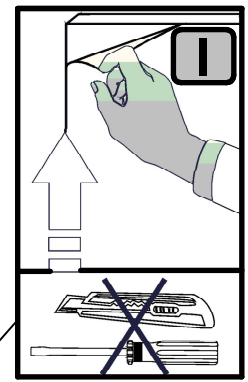
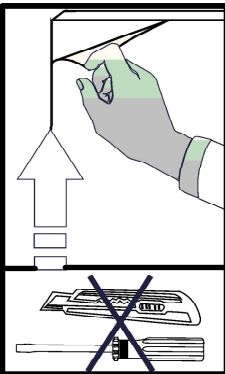
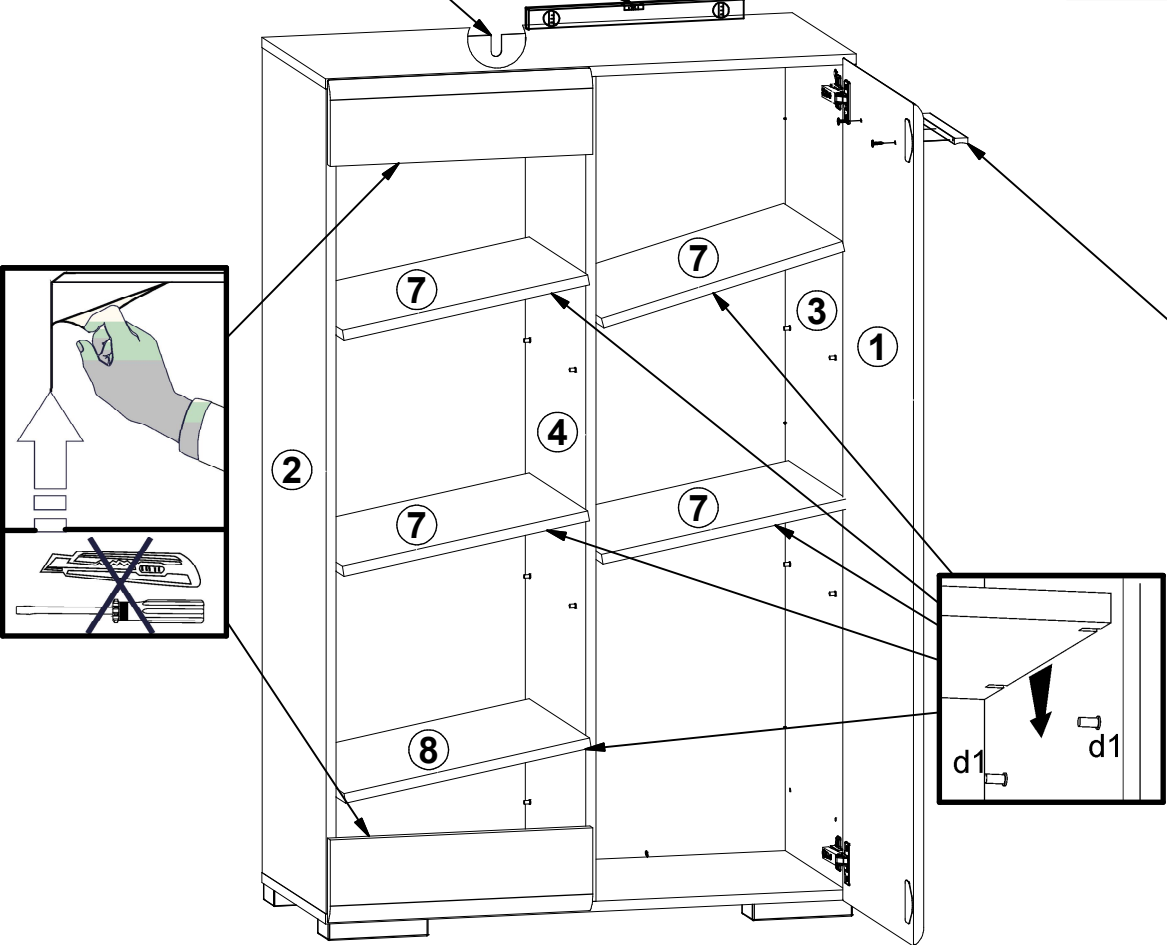
A

B





8



9

