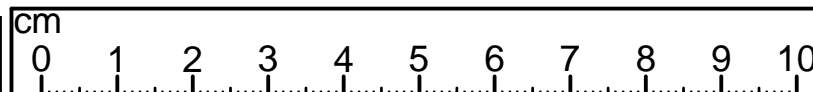


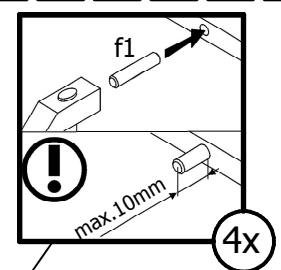
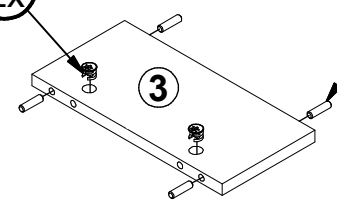
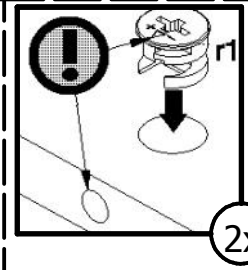
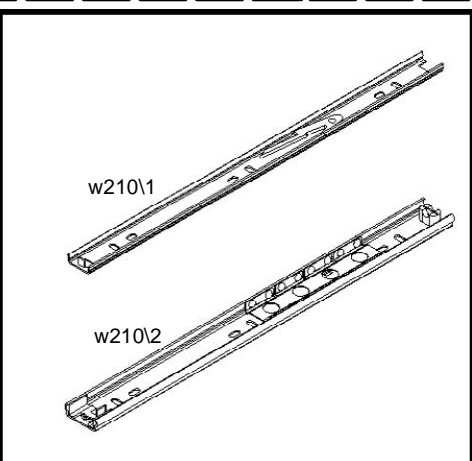
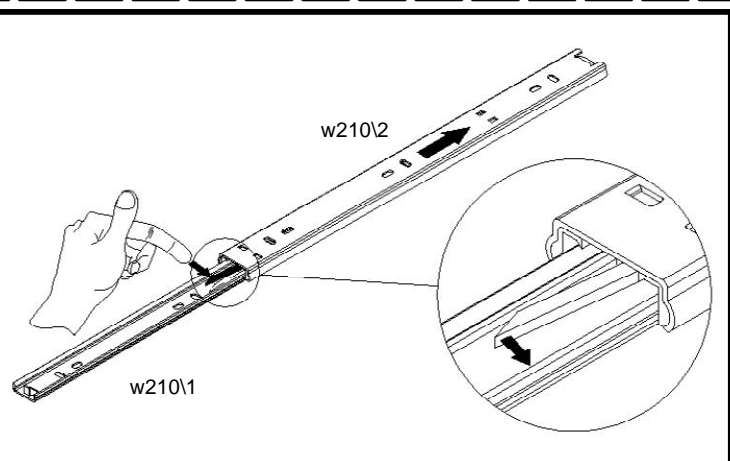
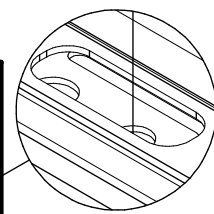
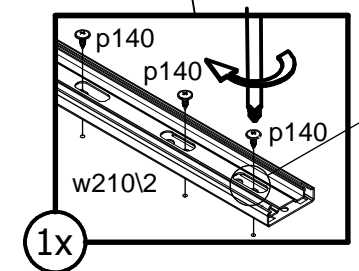
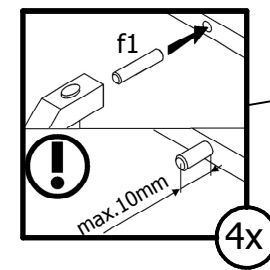
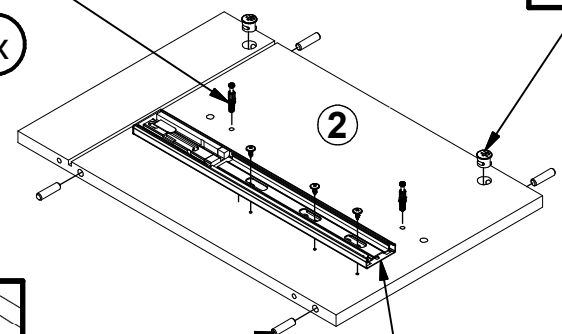
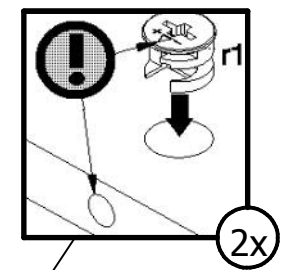
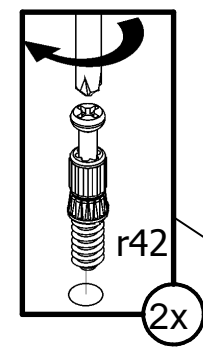
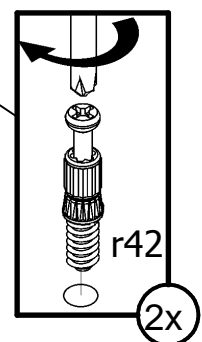
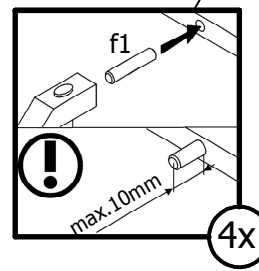
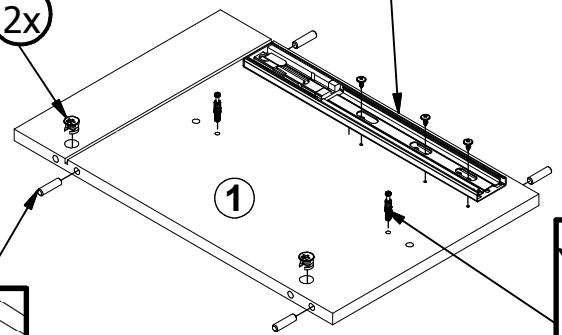
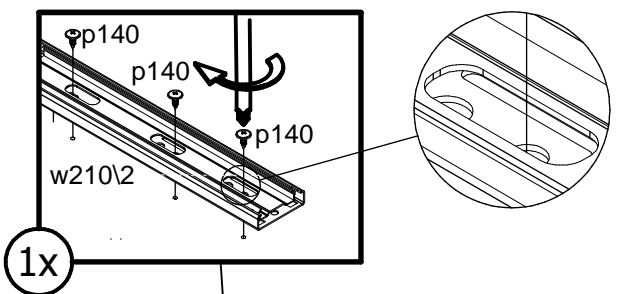
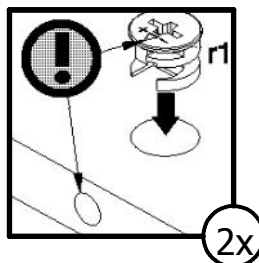
A	B	C1	C2	C3	D
1	S513-1006	309	477	15	1/1
2	S513-1007	309	477	15	1/1
3	S513-1008	139	285	15	1/1
4	S513-2004	1000	500	22	1/1
5	S513-2005	1000	477	15	1/1
6	S513-3006	969	397	15	1/1
7	S513-0004	180	996	16	1/1
8	S513-9002	979	318	2,5	1/1
9	WSP-9196	928,	358	2,5	1/1
10	ZK3-5042	919	97	15	1/1
11	ZK4-523	350	110	12	1/1
12	ZK4-524	350	110	12	1/1

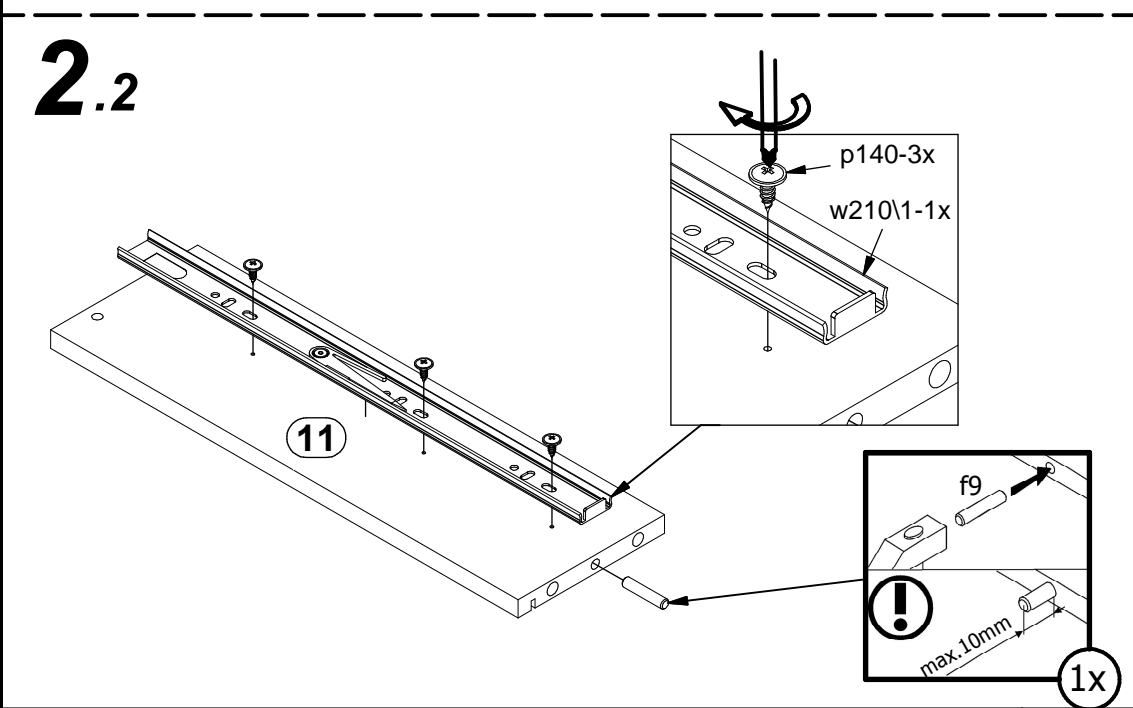
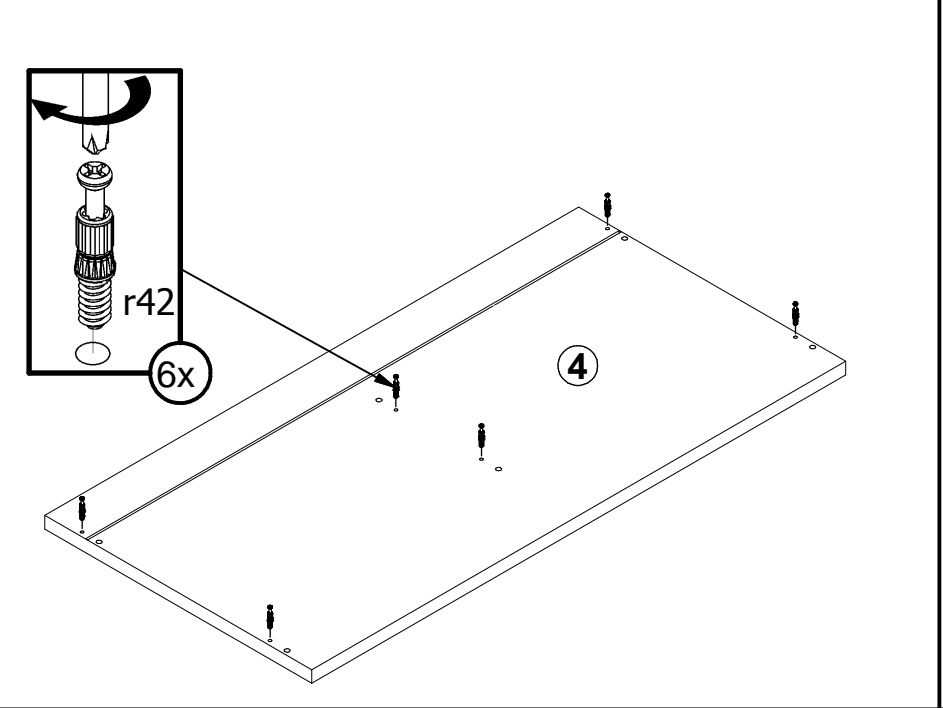
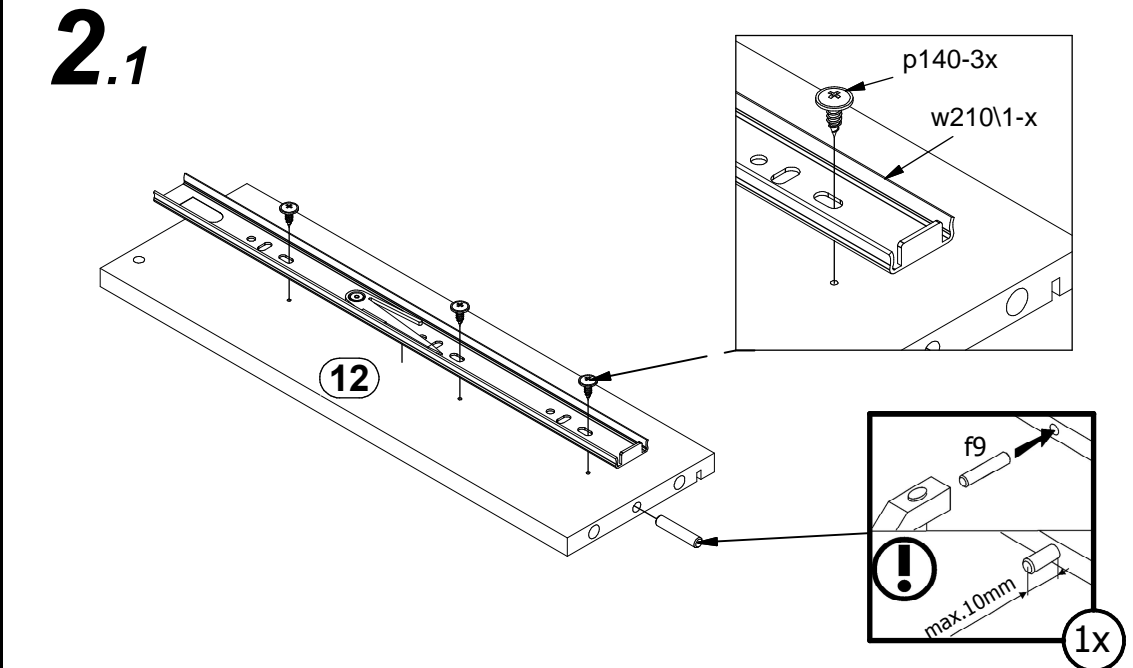
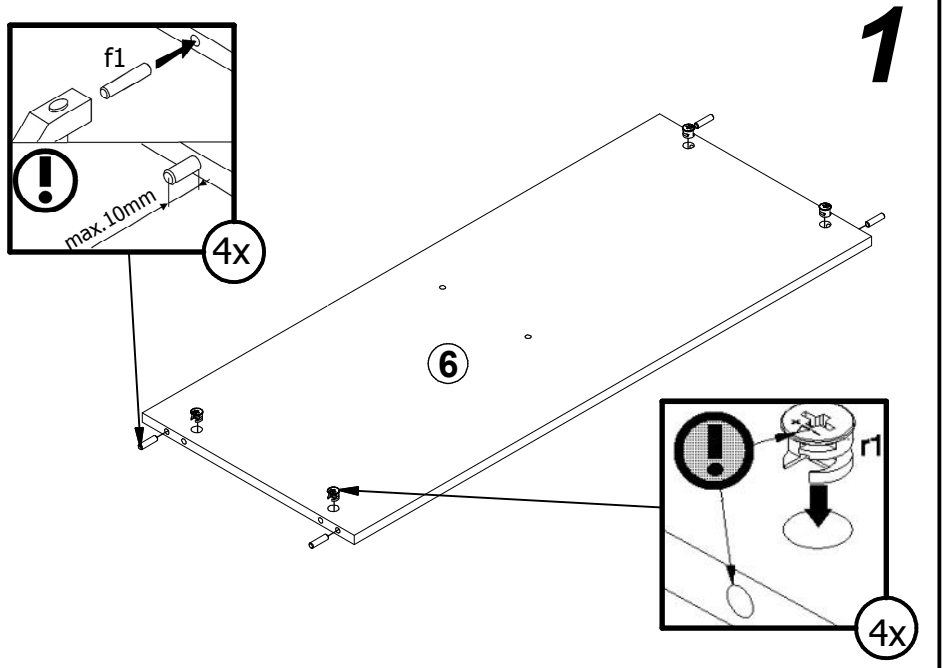
1x L-212mm c469/5	6x Ø7x50 mm e1	16x Ø8x30 mm f1
2x Ø6x30 mm f9	4x Ø6,5x40 mm f25	2x f151x61/25 mm k54
2x k55/1	8x I1	8x I2
10x Ø4x30 mm p21	1x Ø3,5x16 mm p25	1x Ø3,5x10 mm p35
8x Ø3,5x16 mm p38	2x Ø4x16 mm p131	12x Ø3,5x12 mm p140
10x Ø15x12 mm #16 r1	4x Ø12x10,5 mm #12 r15	14x 20/11 r42
6x Ø16 s2	1x 350 mm t35	2x w210/1
2x L-350 mm w210/2	1x z1	

1x Ø10x50 mm f35	1x Ø5x60 mm p17	2x Ø3,5x16 mm p38	1x 86x21x15/1,5 n14/2
------------------------	-----------------------	-------------------------	-----------------------------

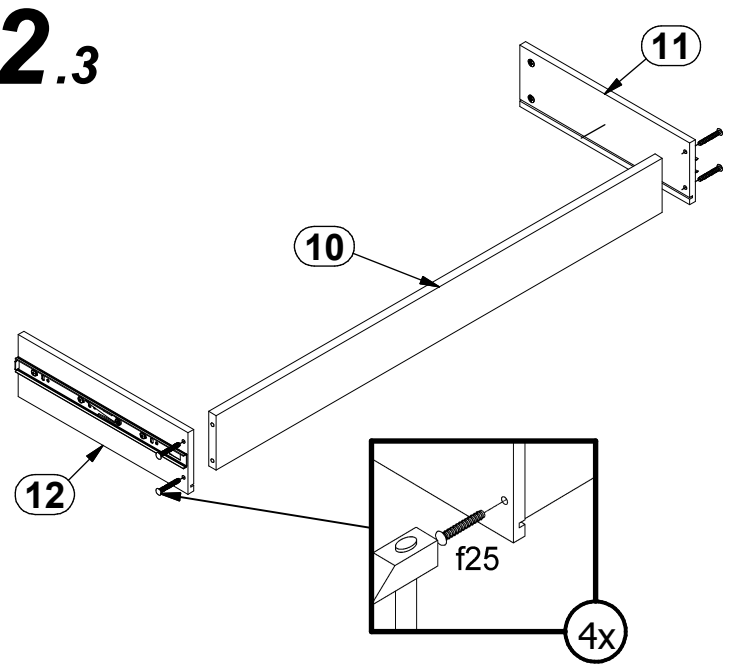


1

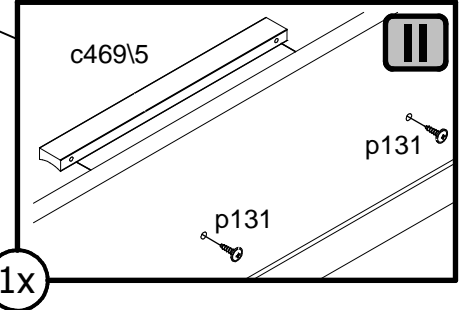
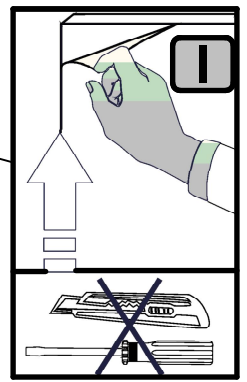
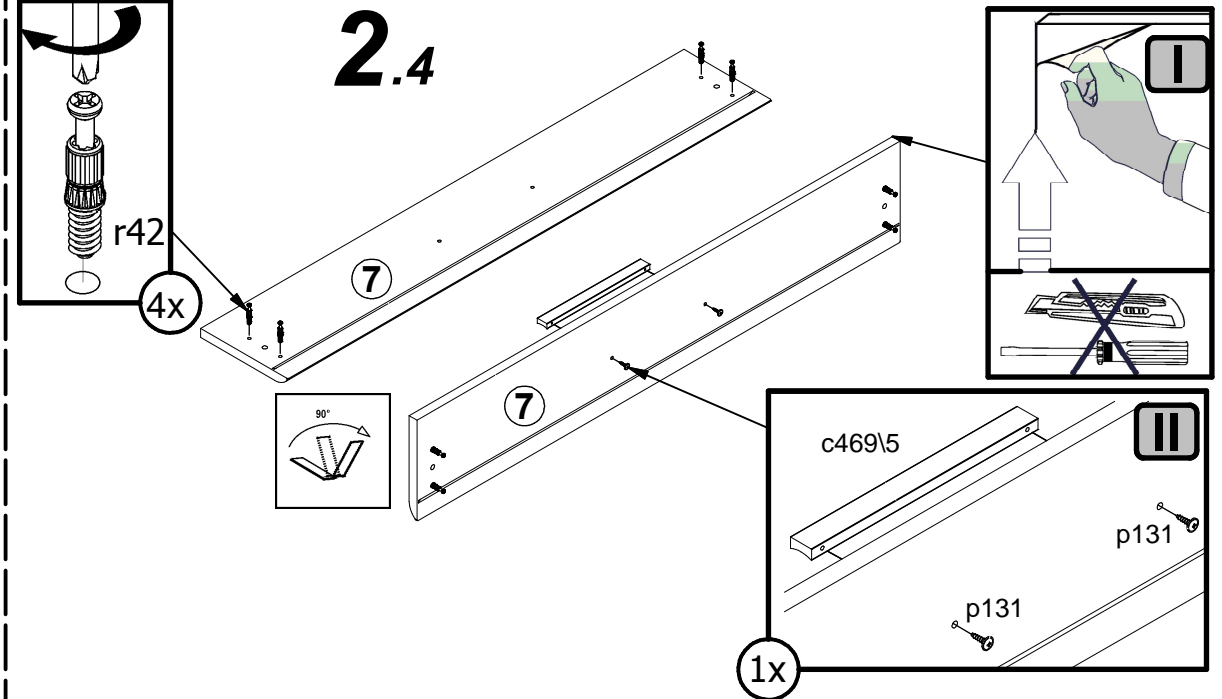




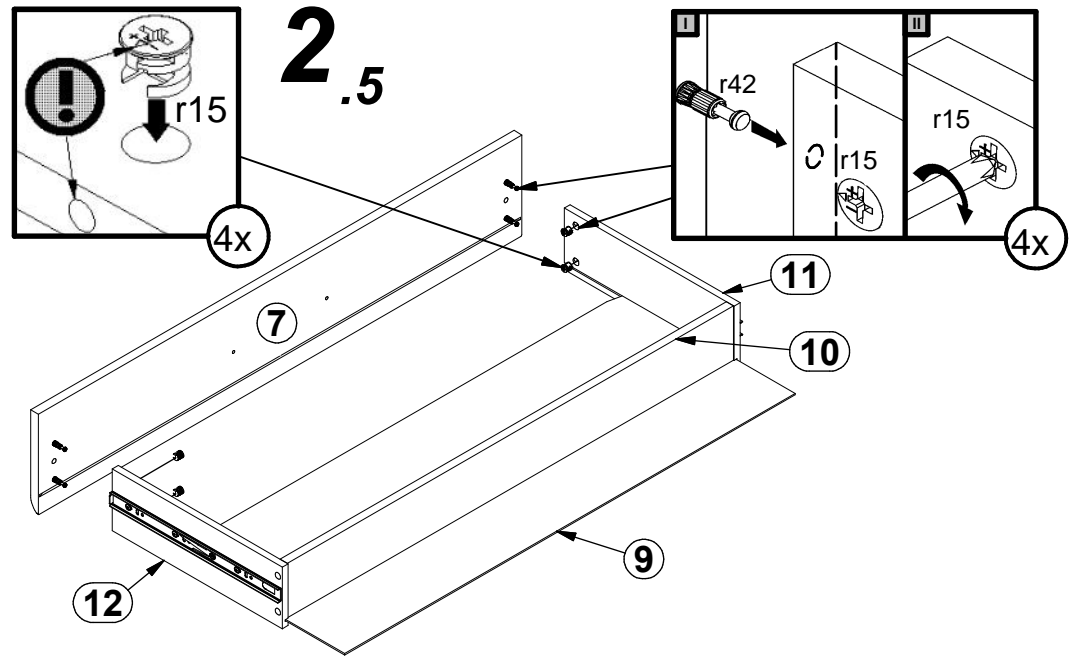
2.3



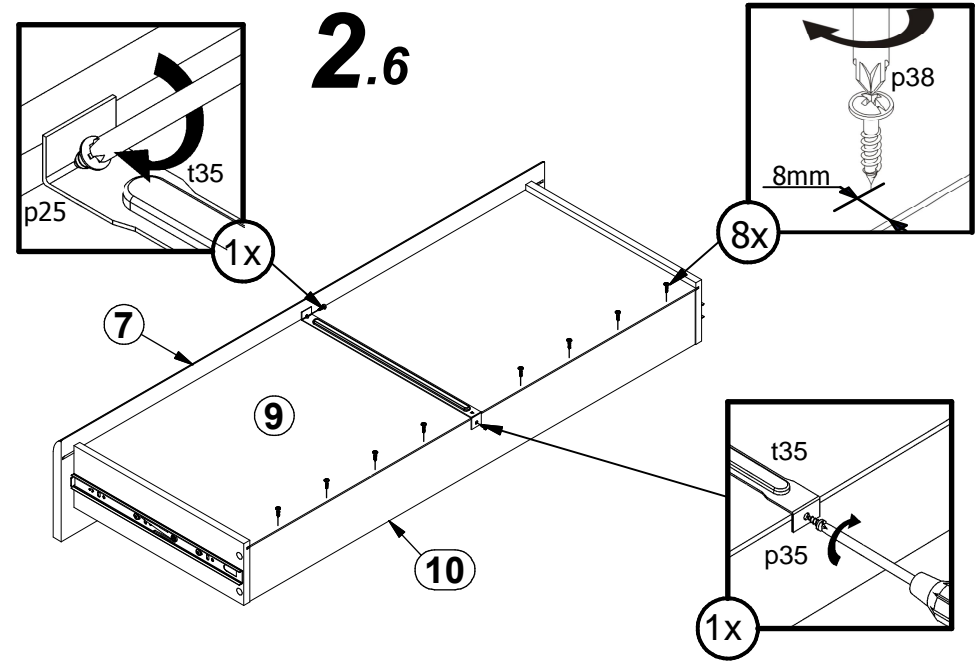
2.4



2.5

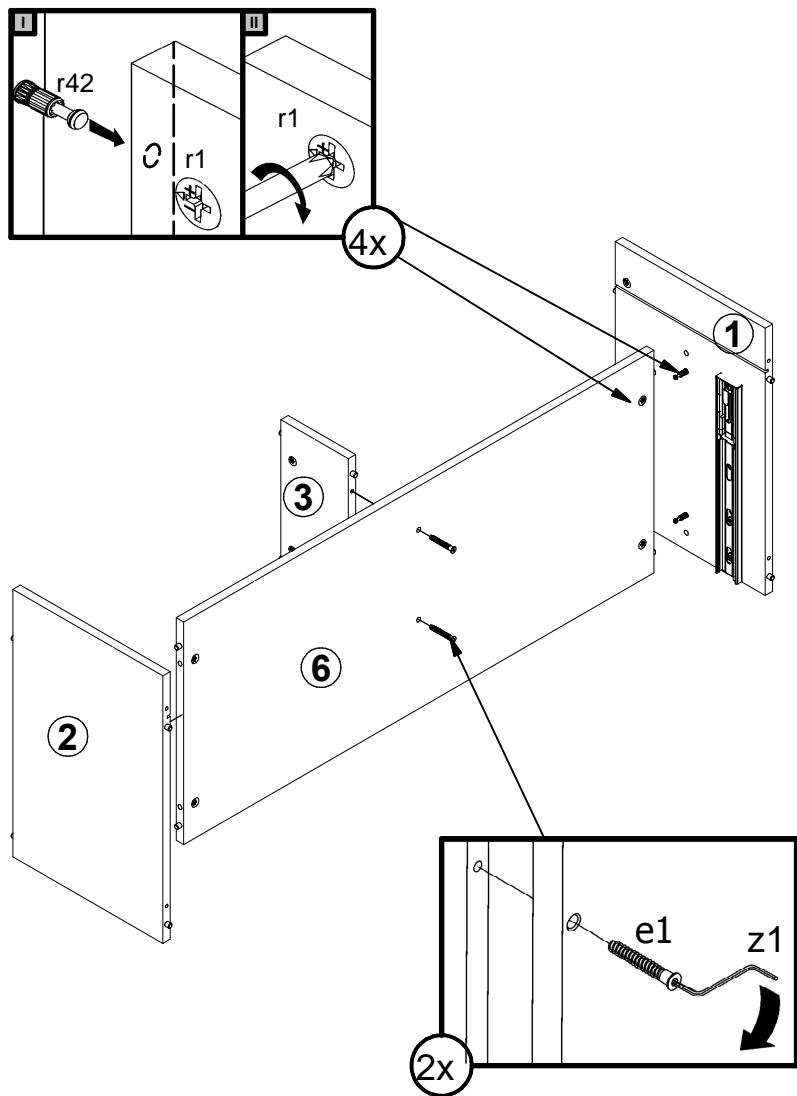


2.6

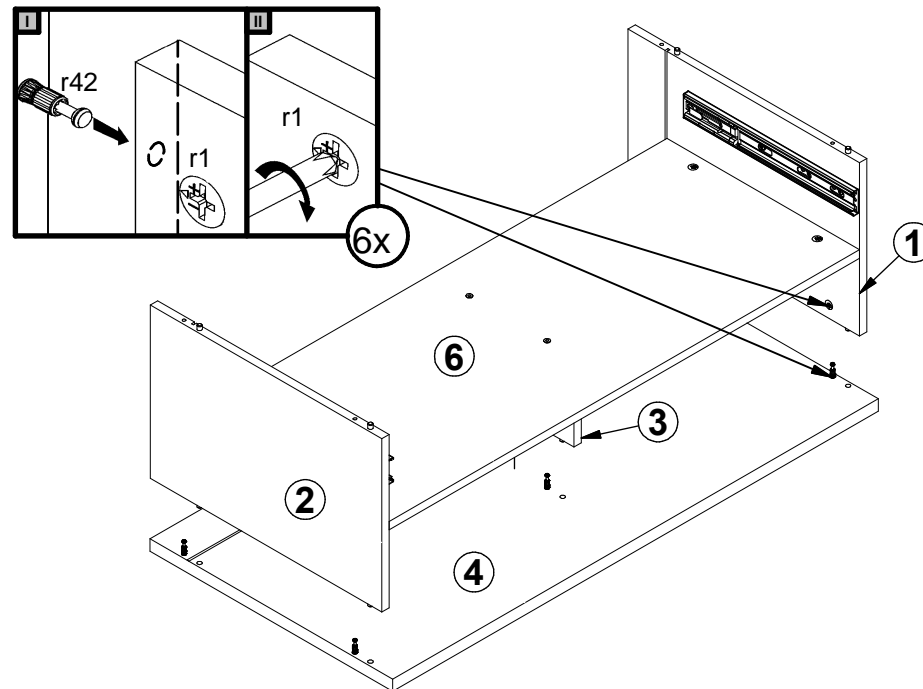




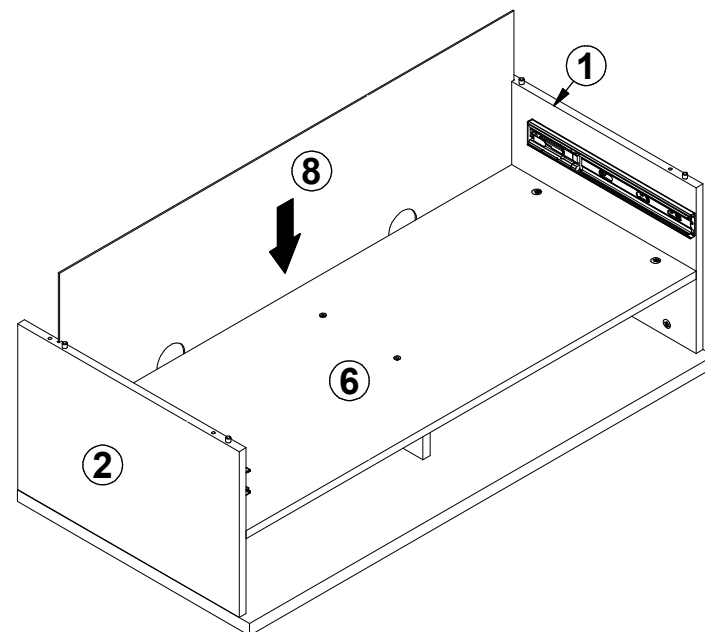
3

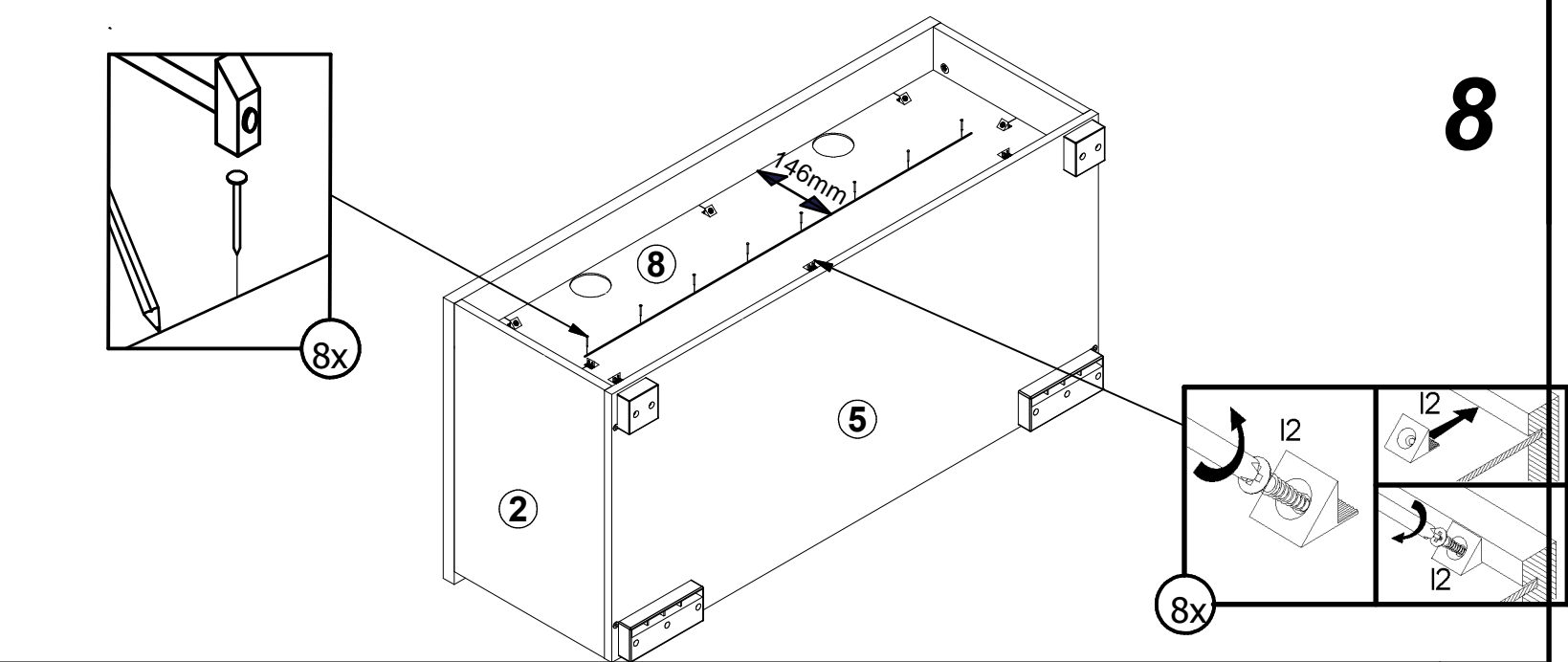
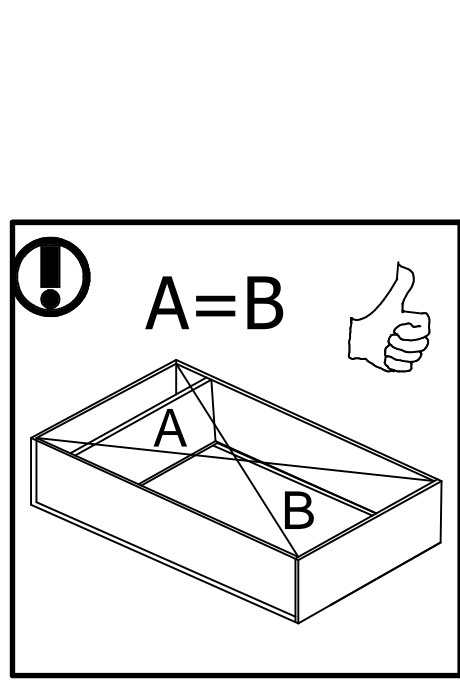
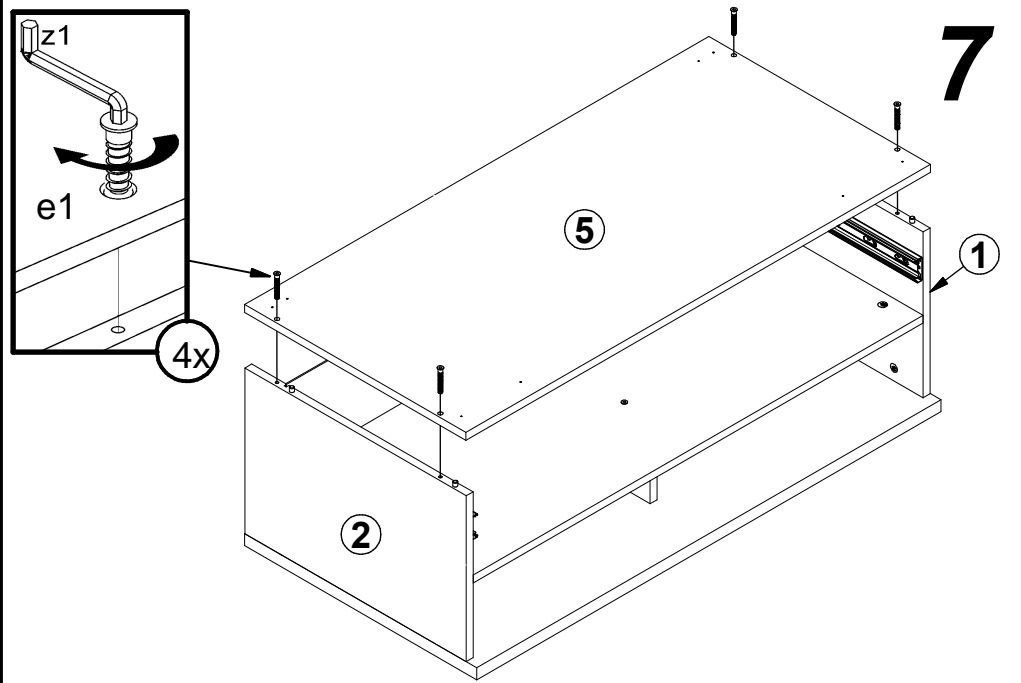
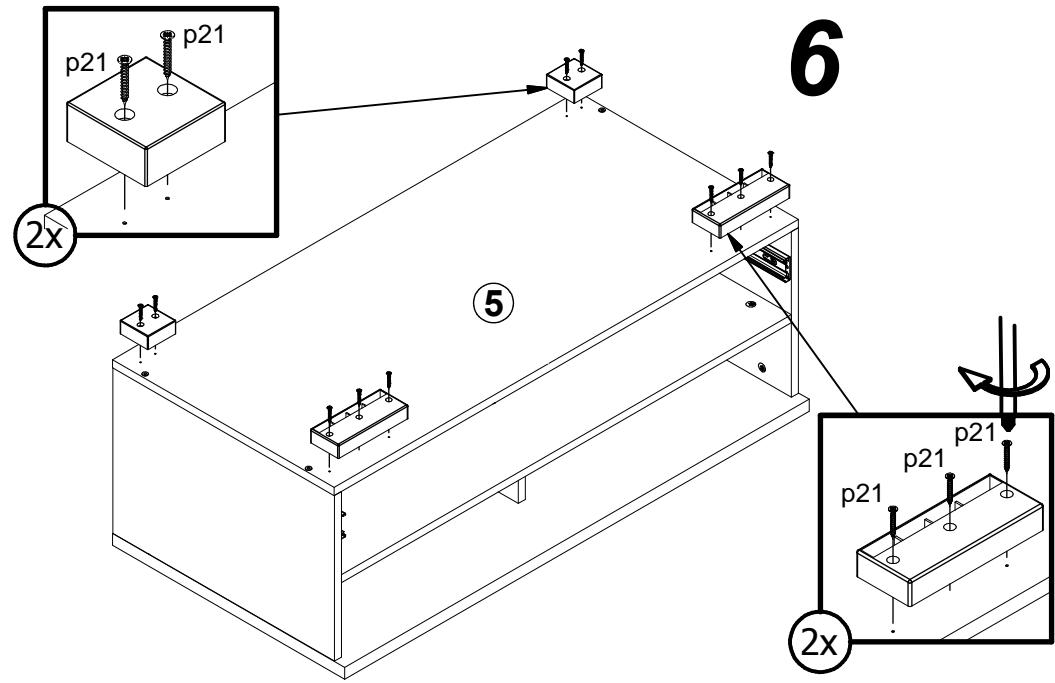


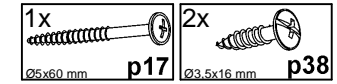
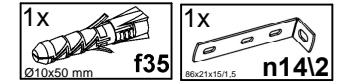
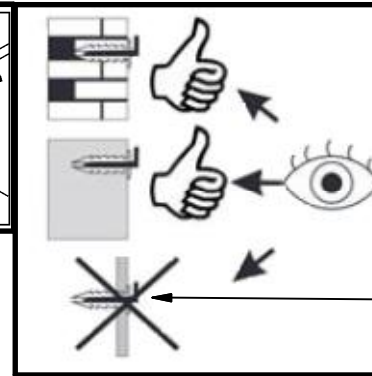
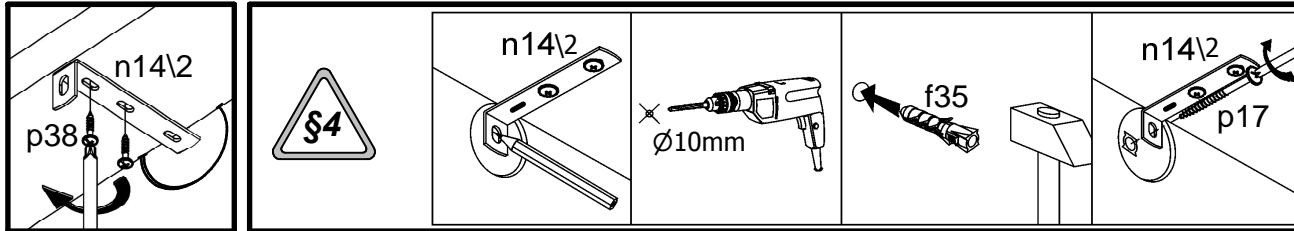
4



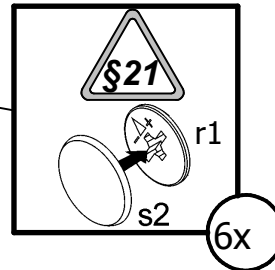
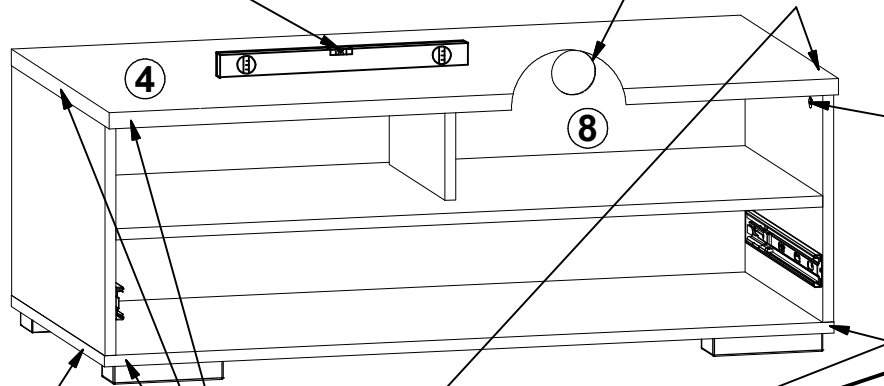
5







9



10

