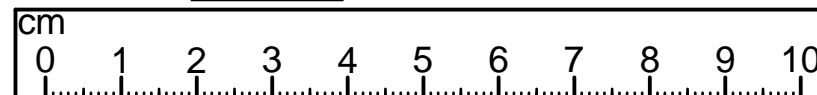


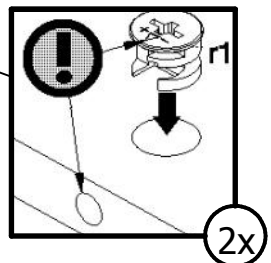
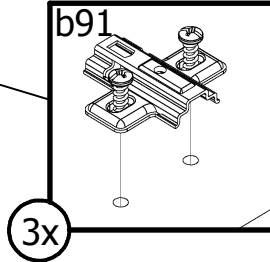
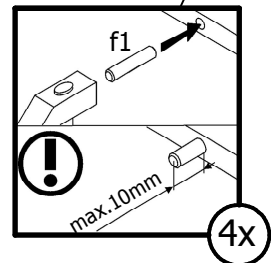
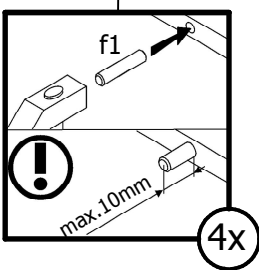
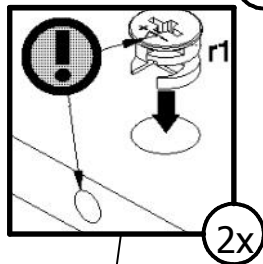
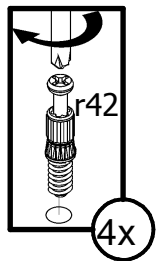
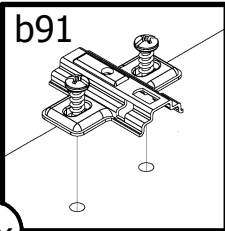
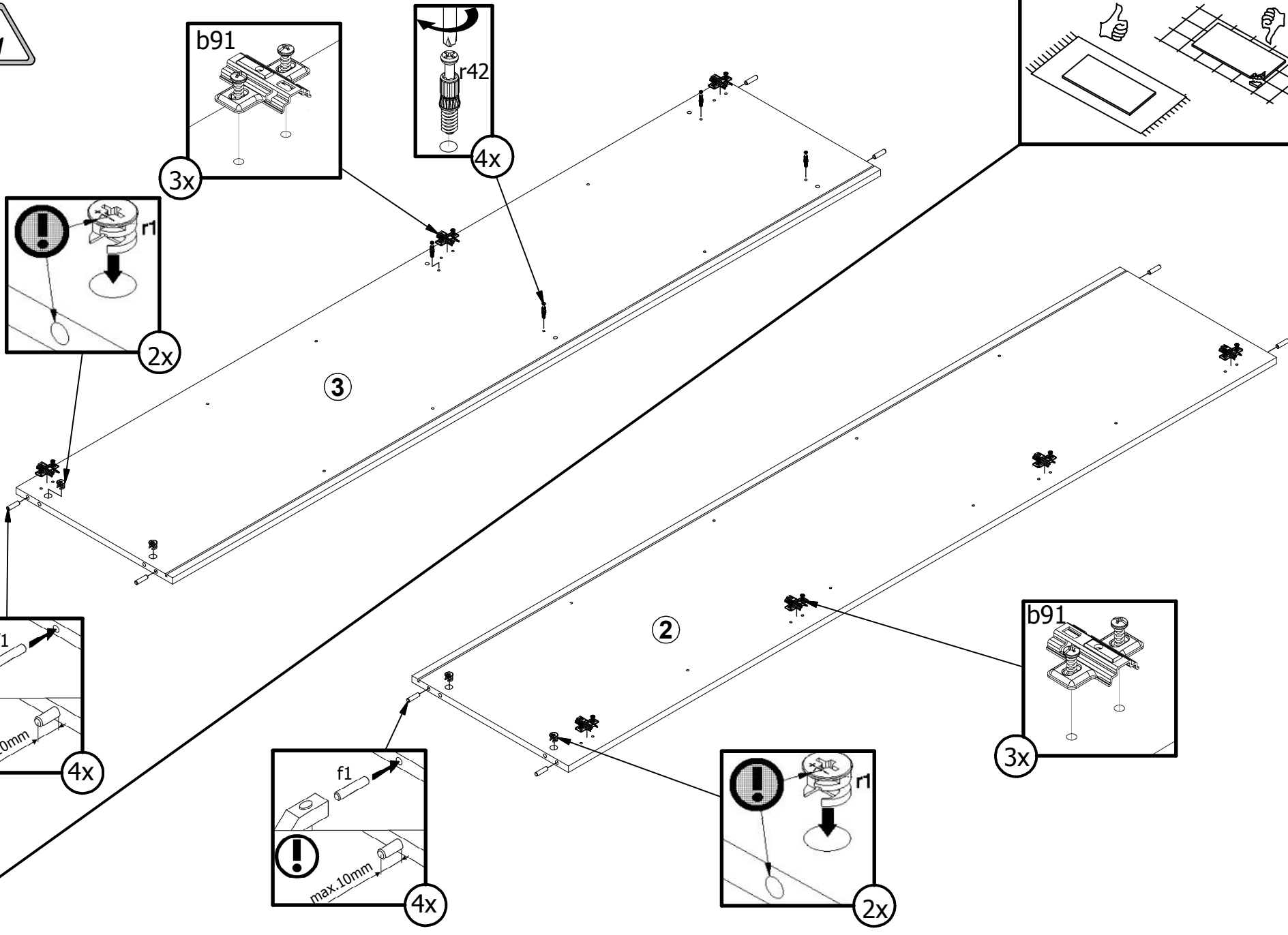
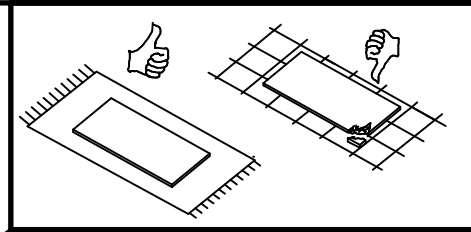
A	B	C1	C2	C3	D
1	S513-0012	1969	396	16	3/3
2	S513-1026	1945	430	15	2/3
3	S513-1027	1945	430	15	2/3
4	S513-1028	1945	410	15	2/3
5	S513-2015	900	430	15	1/3
6	S513-2016	900	430	15	1/3
7	S513-3022	477	410	15	1/3
8	S513-3023	376	400	15	1/3
9	S513-3024	470	400	5	1/3
10	S513-5553	949	496	4	3/3
11	S513-5554	600	496	4	3/3
12	S513-7013	496	180	16	3/3
13	S513-7014	496	180	16	3/3
14	S513-7015	496	180	16	3/3
15	S513-9009	1955	389,	2,5	3/3
16	S513-9010	1955	490	2,5	3/3

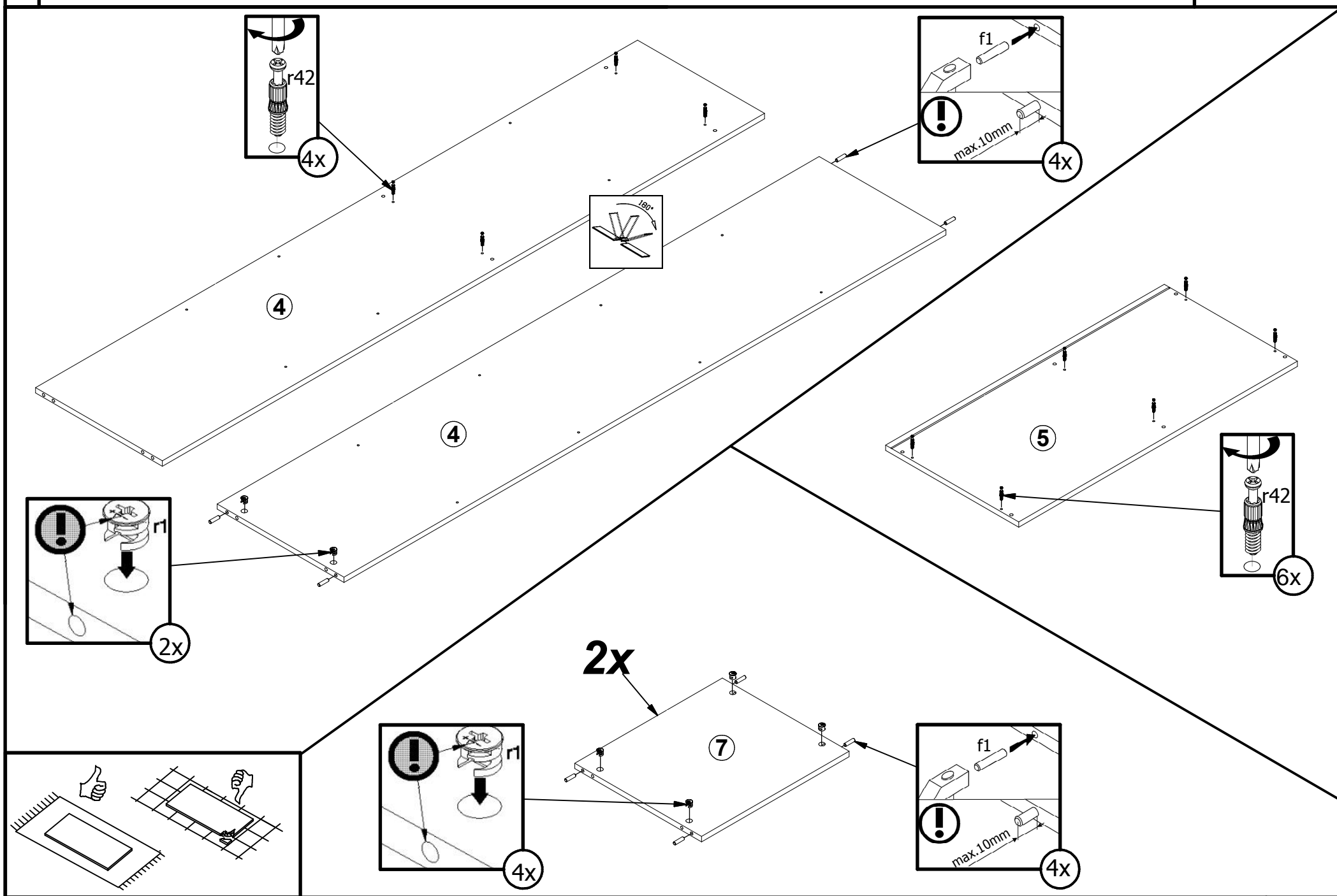
7x a204	7x b91	2x L-212mm c469/5	16x Ø5x17 mm d1
12x d33	6x Ø7x50 mm e1	12x Ø5x12 mm e41	20x Ø8x30 mm f1
1x k53	2x 151x61x25 mm k54	2x k55\1	4x l1
14x l2	13x 20x13x3,5\1 n108	12x Ø5,3xØ8,3x4,8 mm o54	10x Ø4x30 mm p21
1x Ø4x25 mm p36	14x Ø3,5x15 mm p51	13x Ø2,9x16 mm p55	4x Ø4x16 mm p131
14x Ø15x12 mm #16 r1	14x 20/11 r42	10x Ø16 s2	1x z1

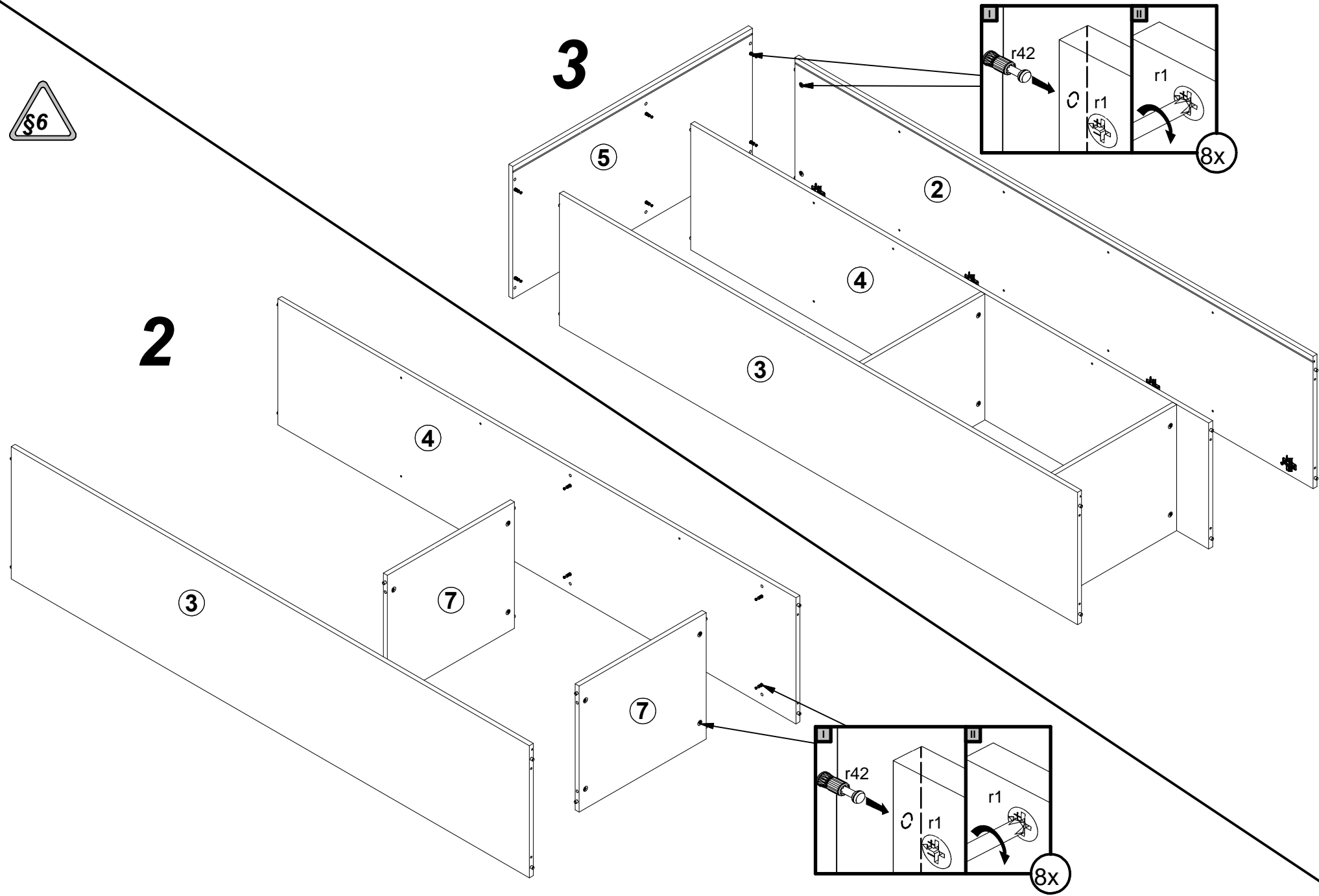
1x 88x21x151,5 n14\2	2x Ø3,5x16 mm p38	1x Ø10x50 mm f35	1x Ø5x60 mm p17
-----------------------------	--------------------------	-------------------------	------------------------



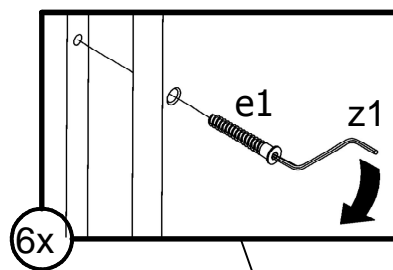
1 



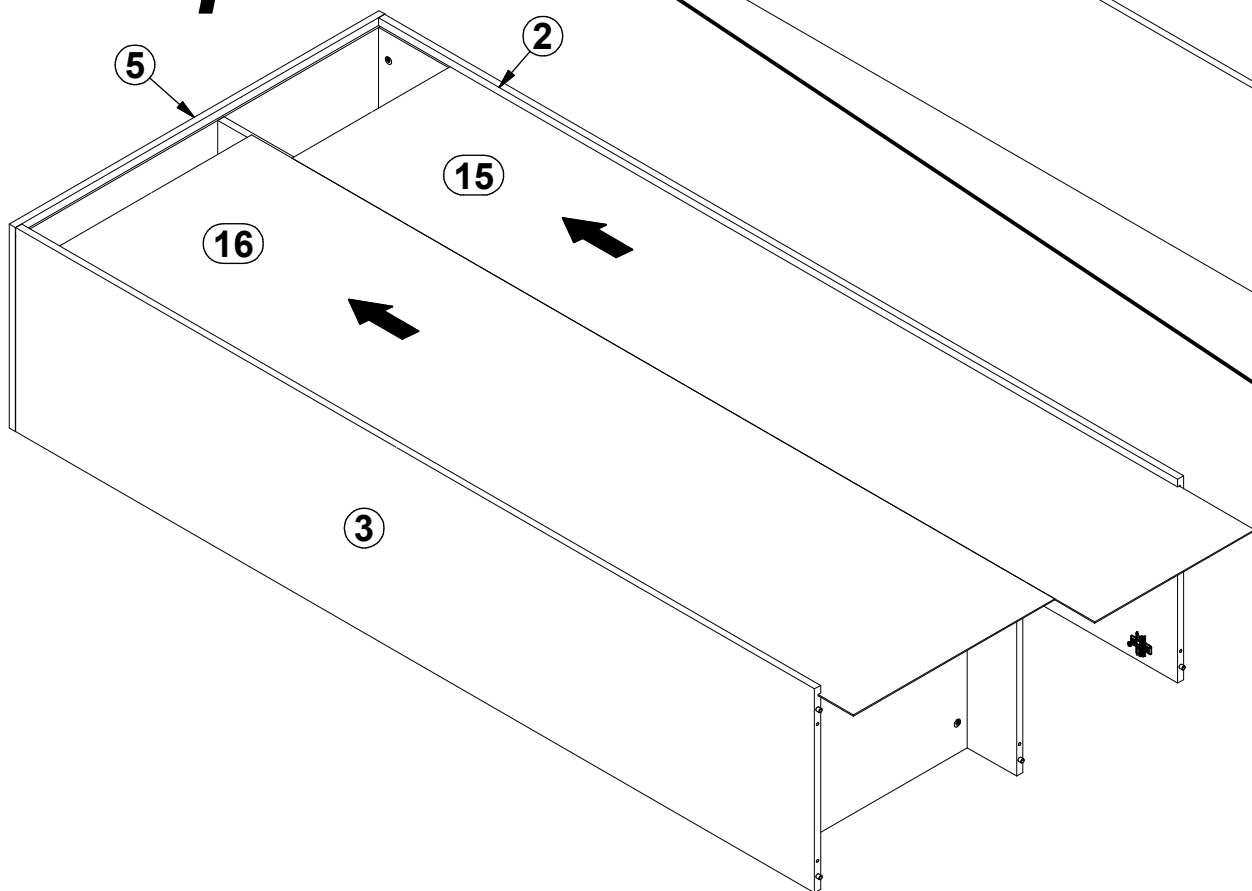




5



4

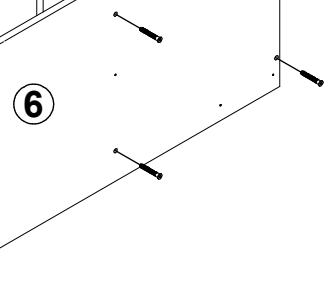


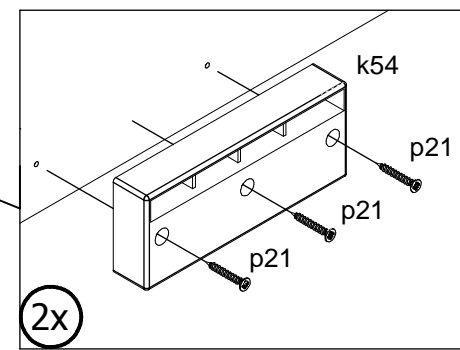
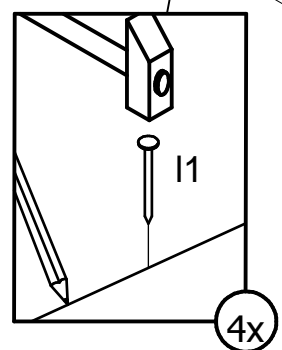
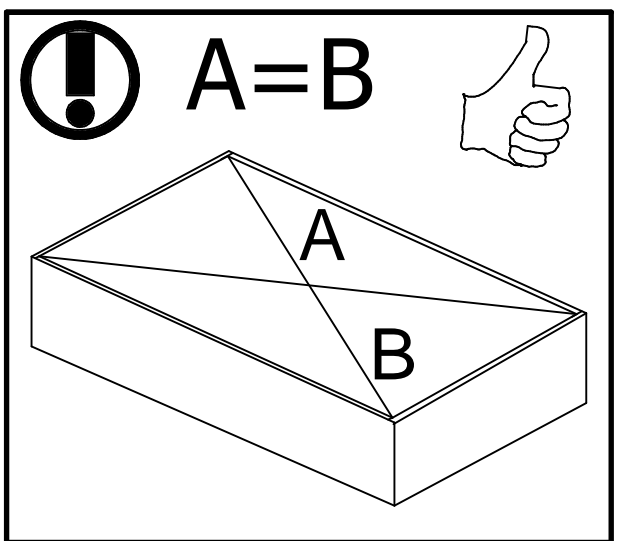
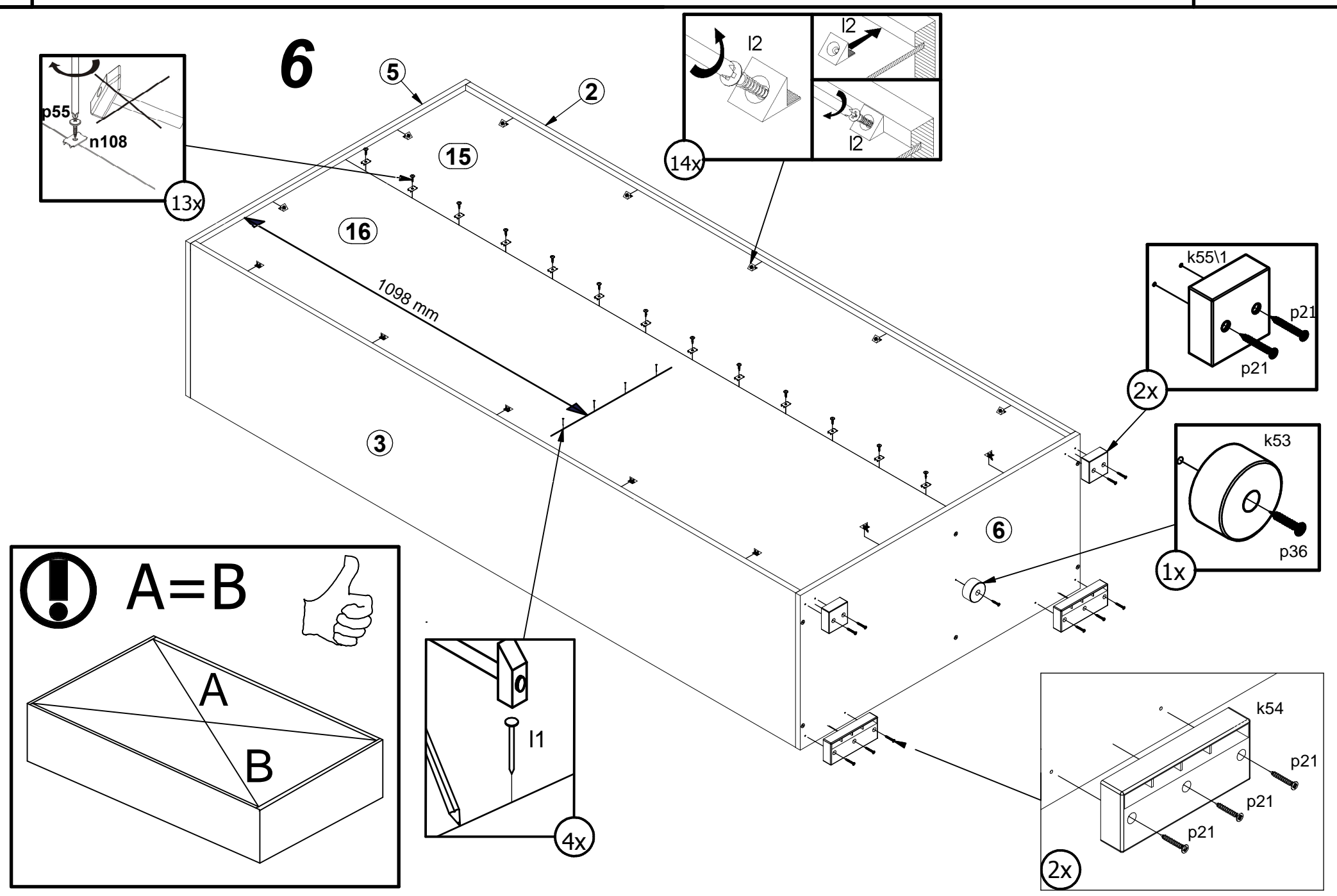
15

16

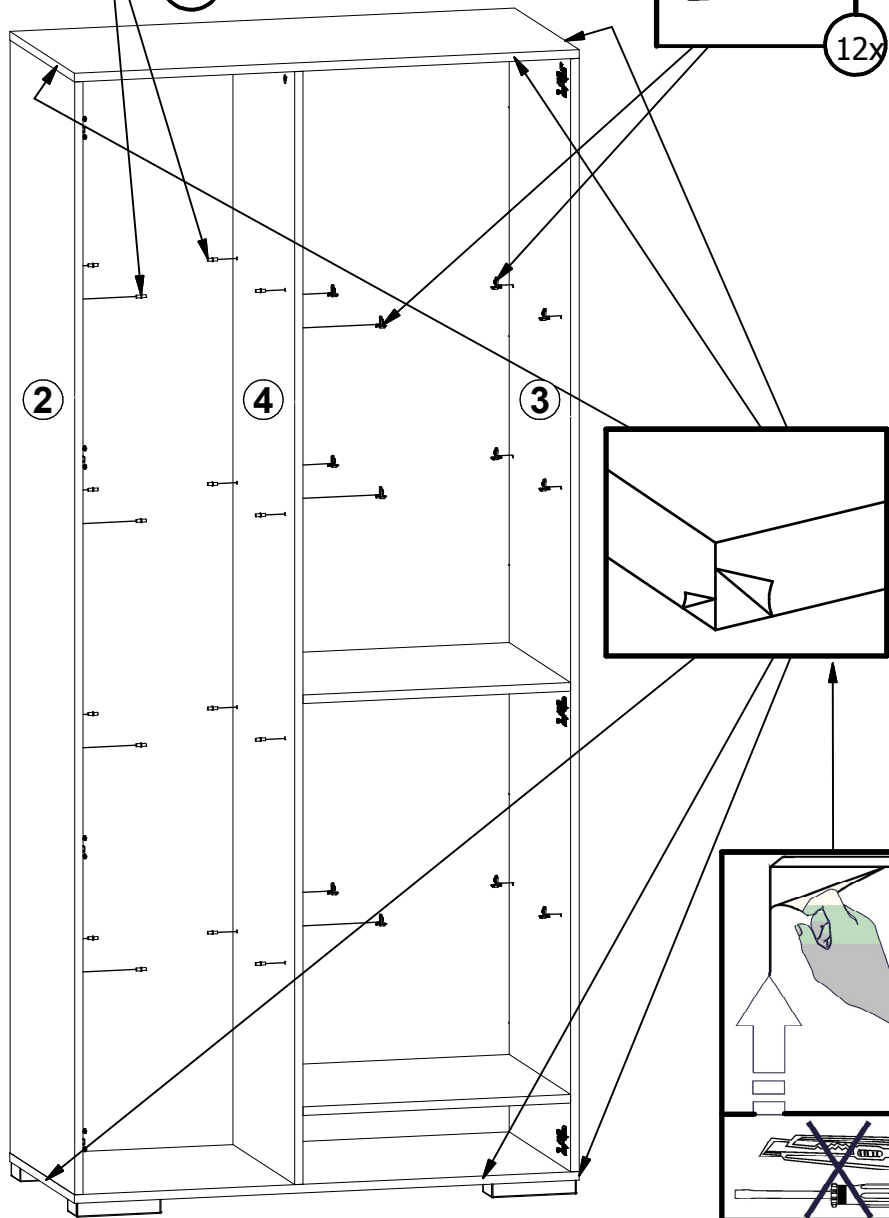
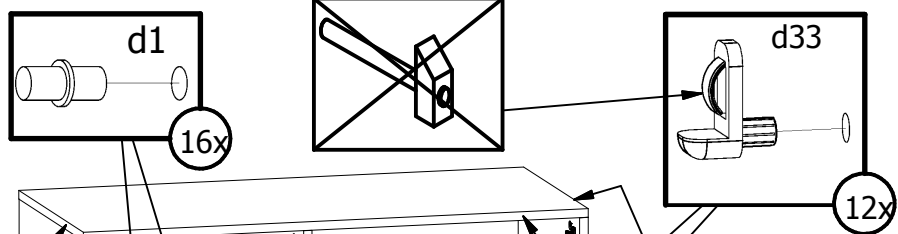
3

6

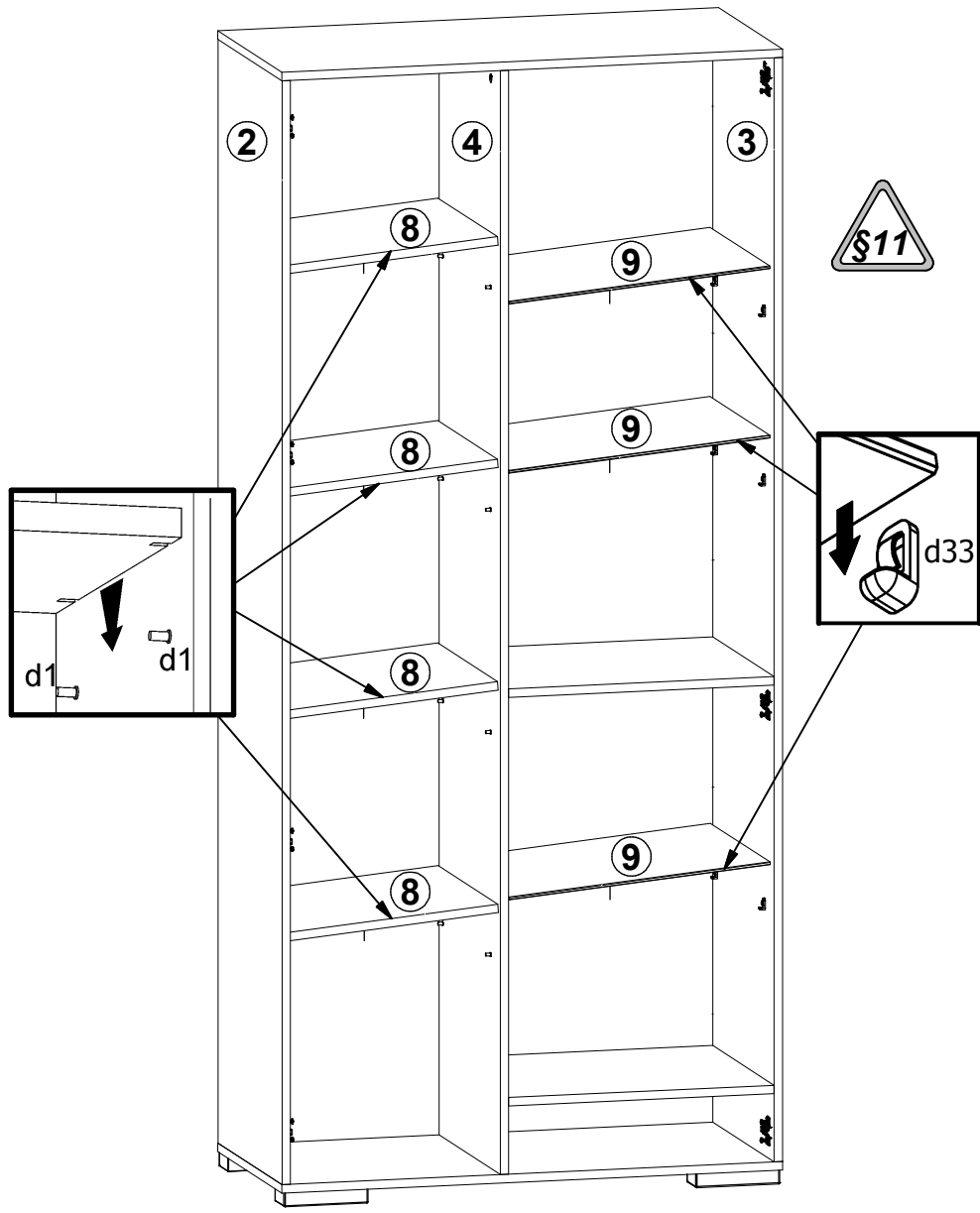




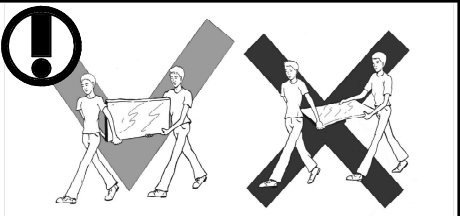
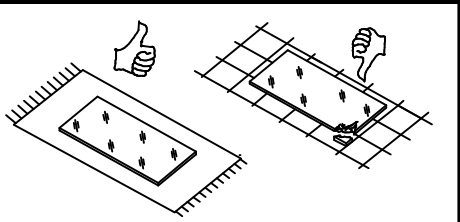
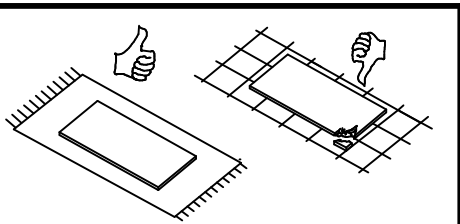
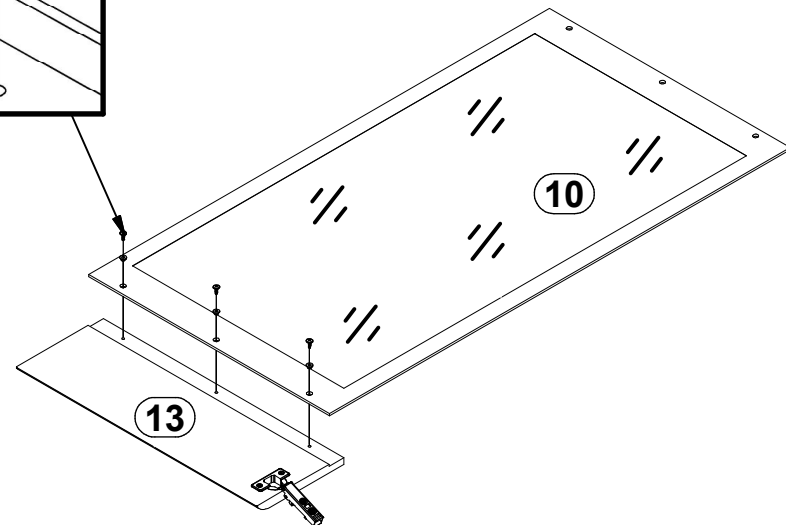
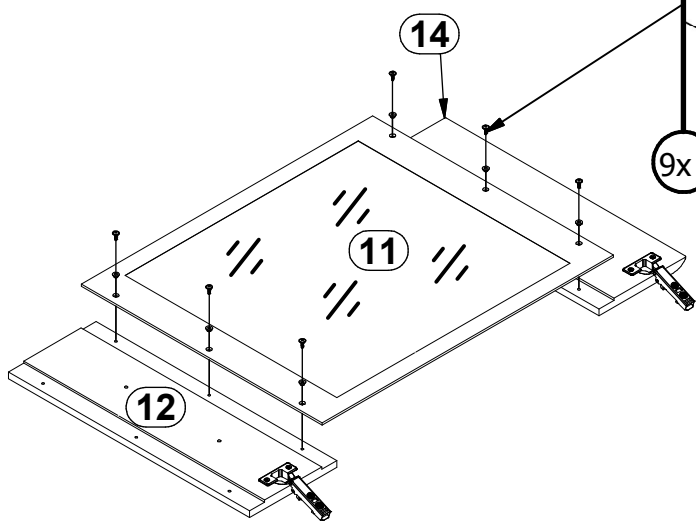
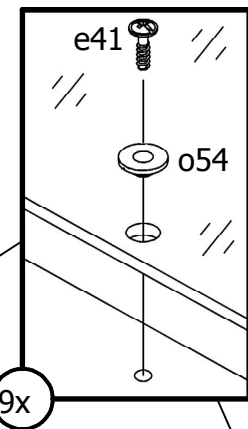
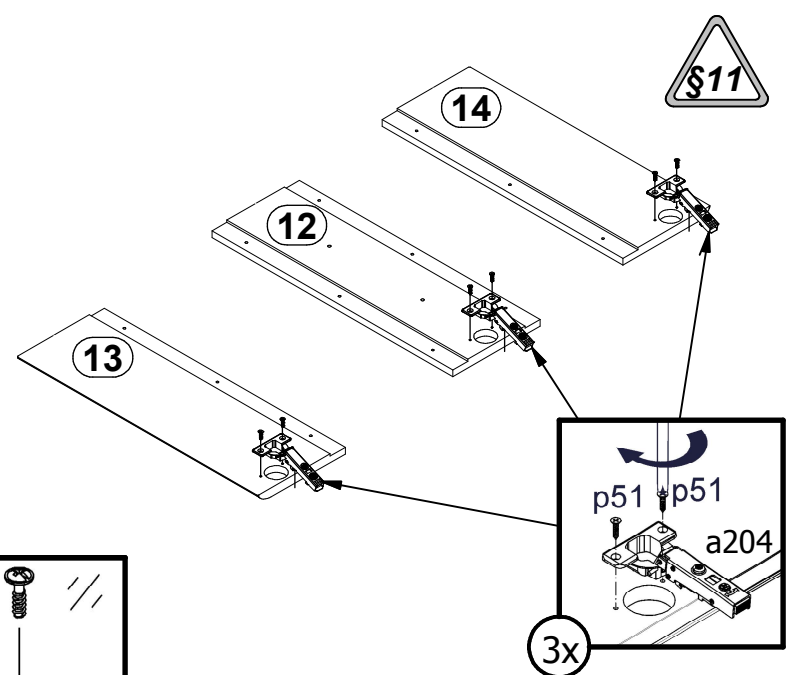
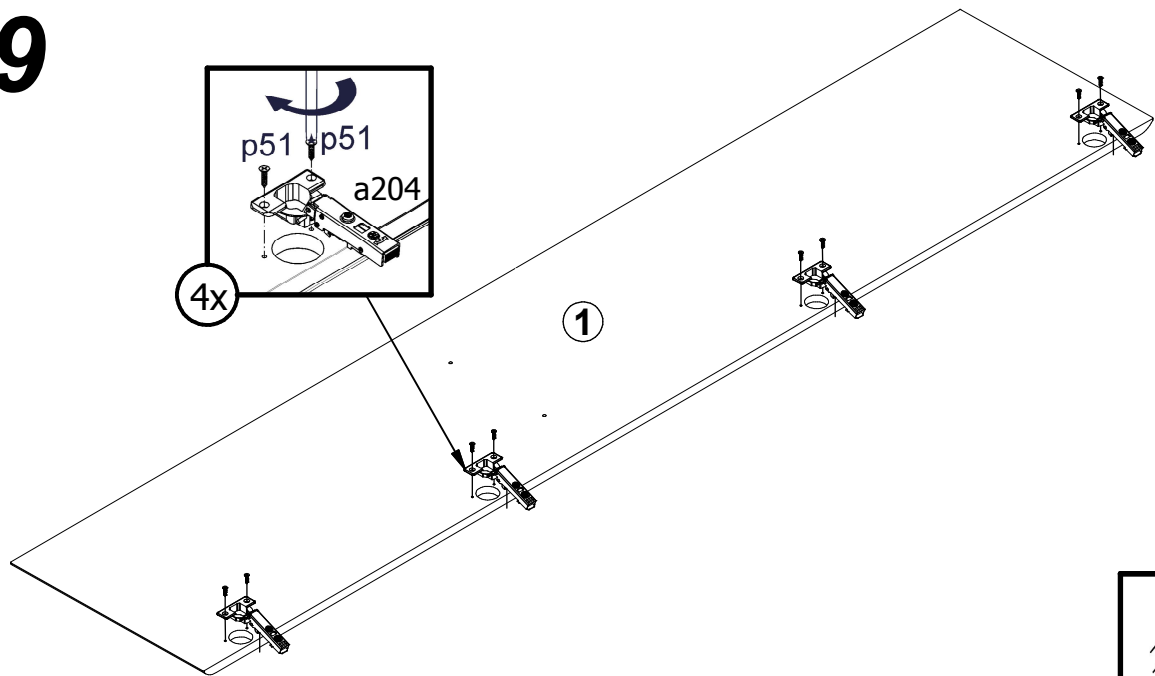
7

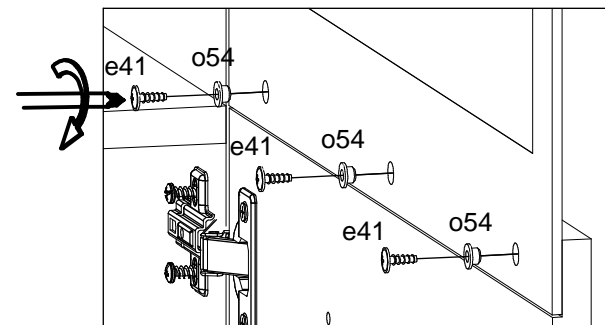
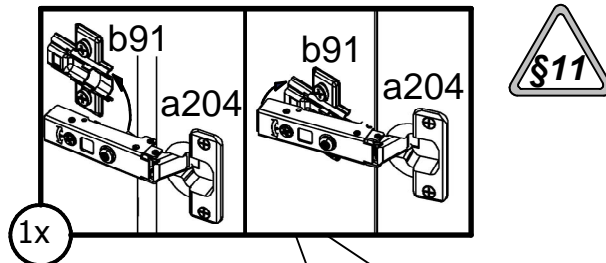
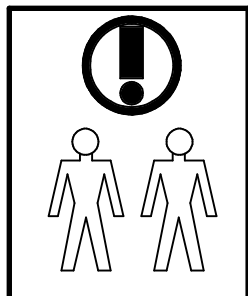
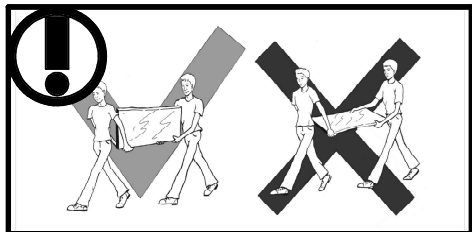


8

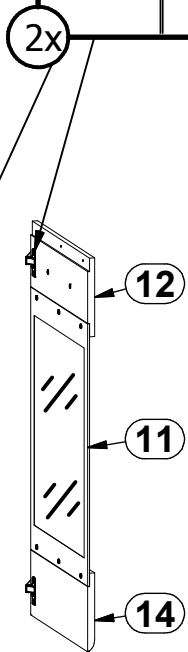
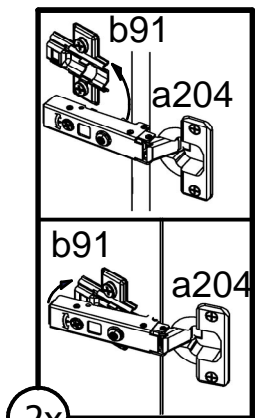
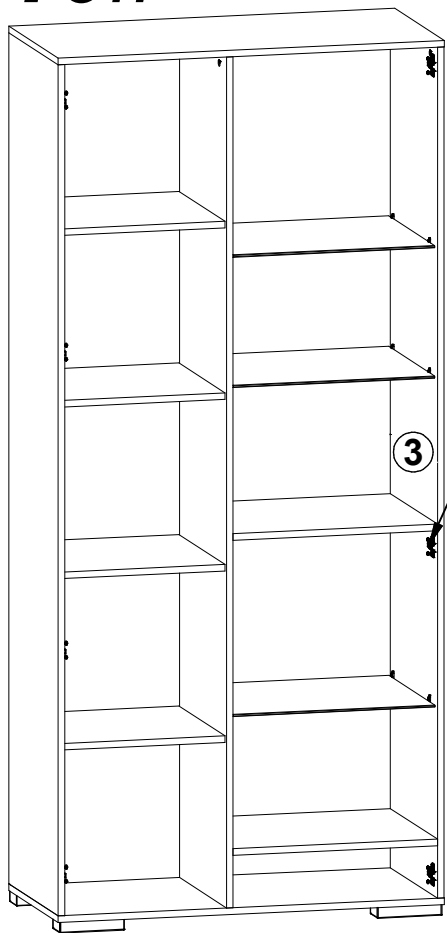


9

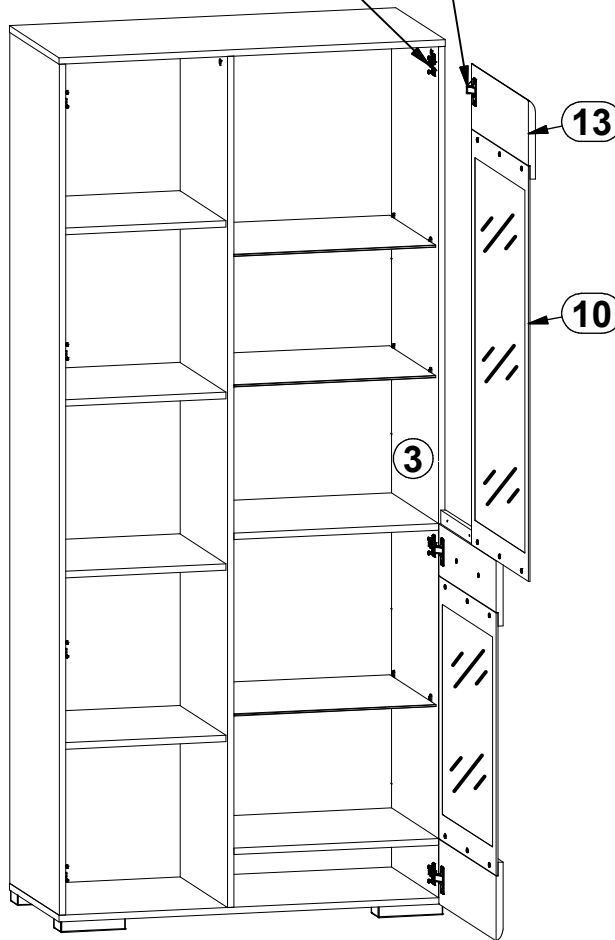




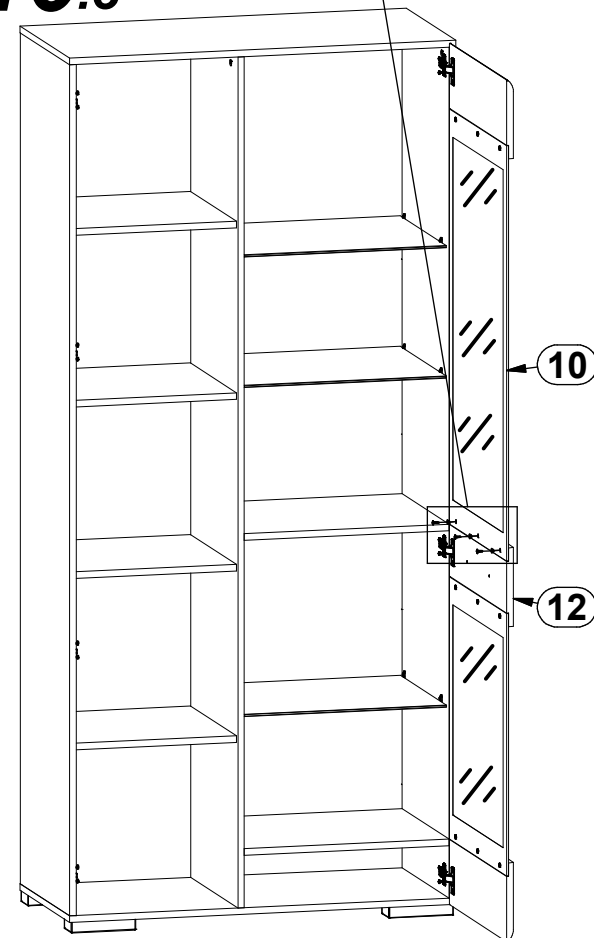
10.1

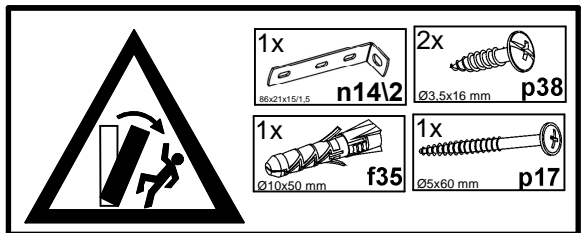


10.2

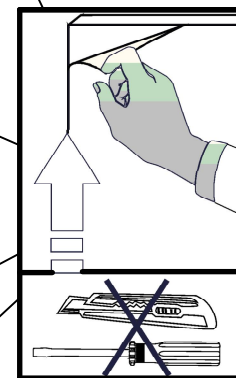
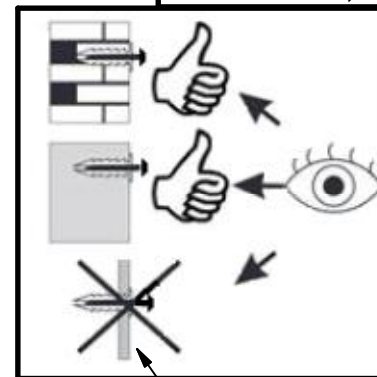
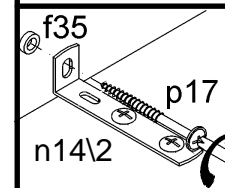
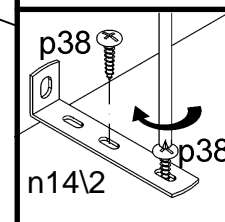
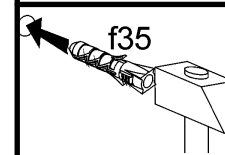
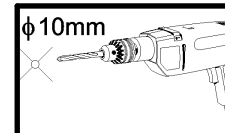
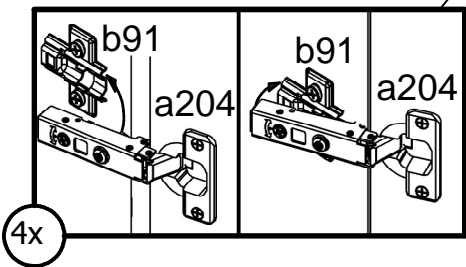
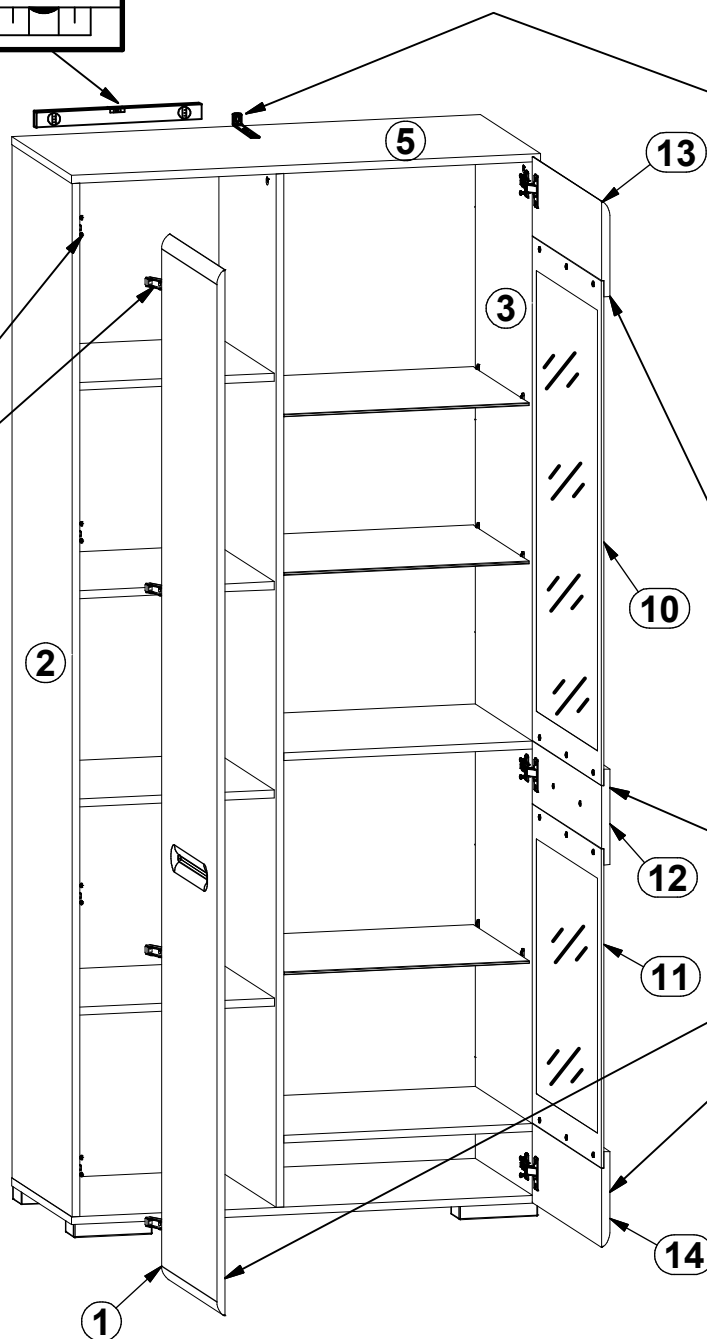


10.3





11



12

