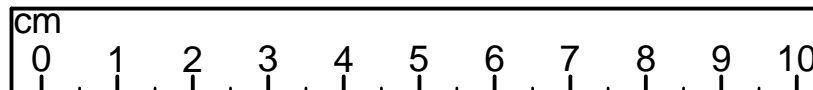
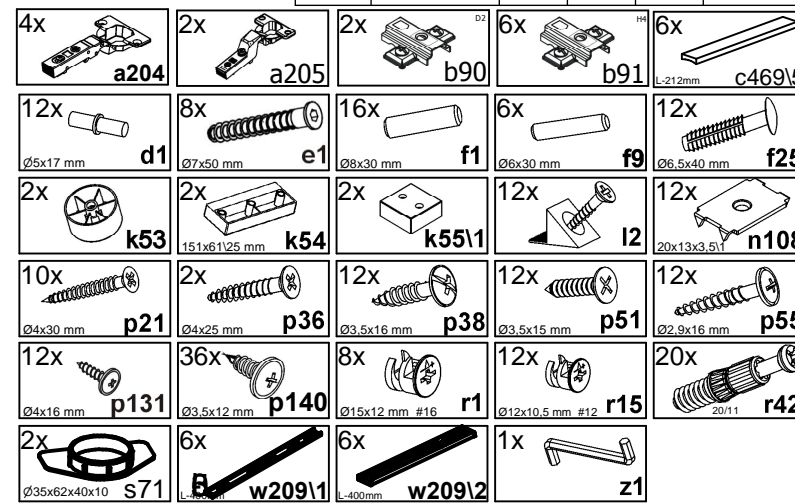
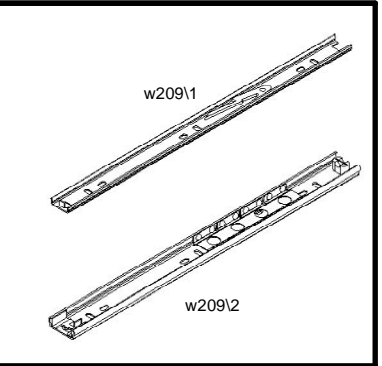
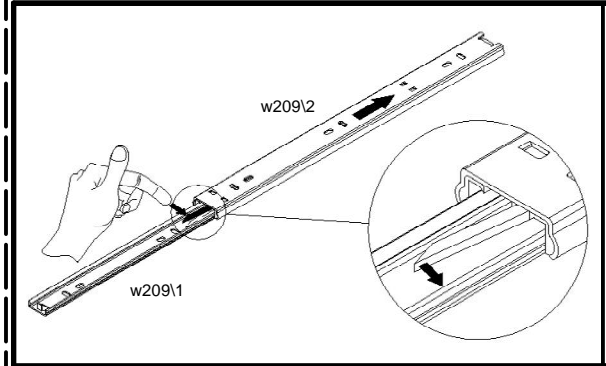
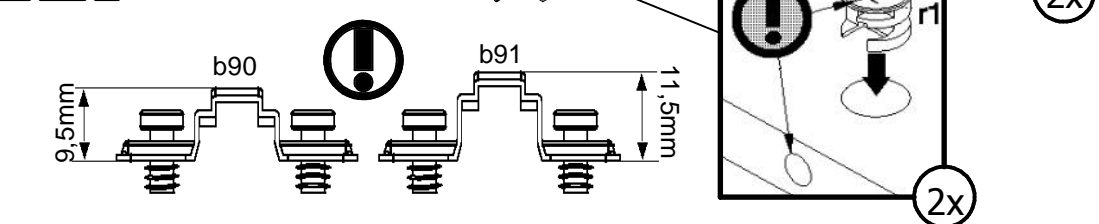
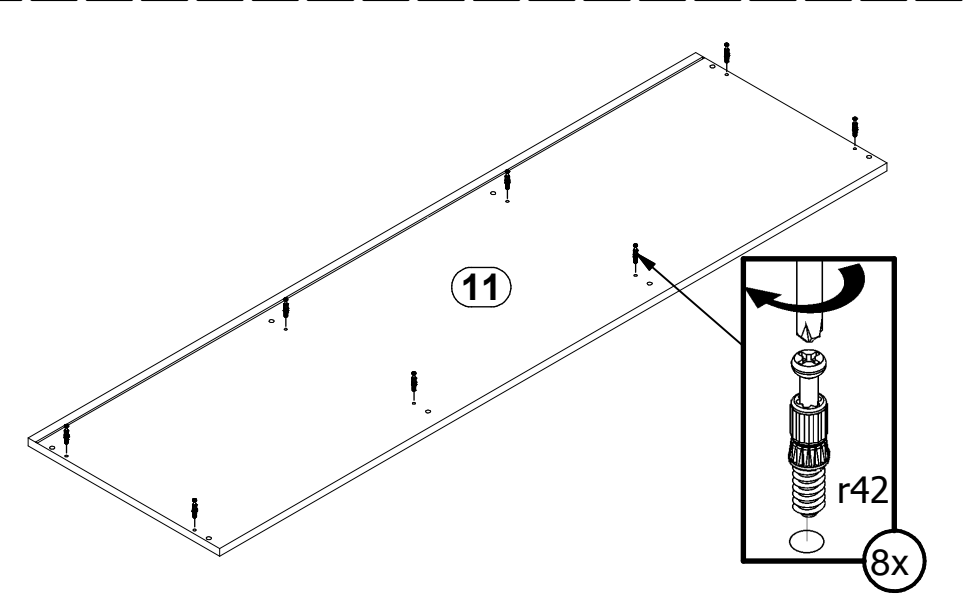
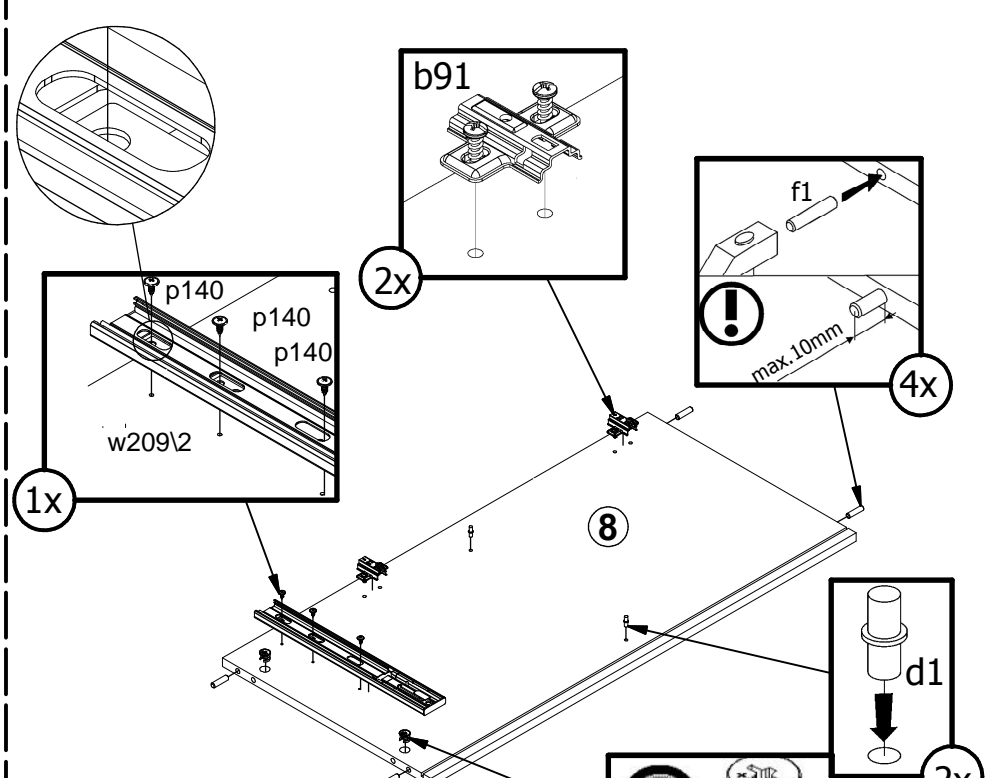
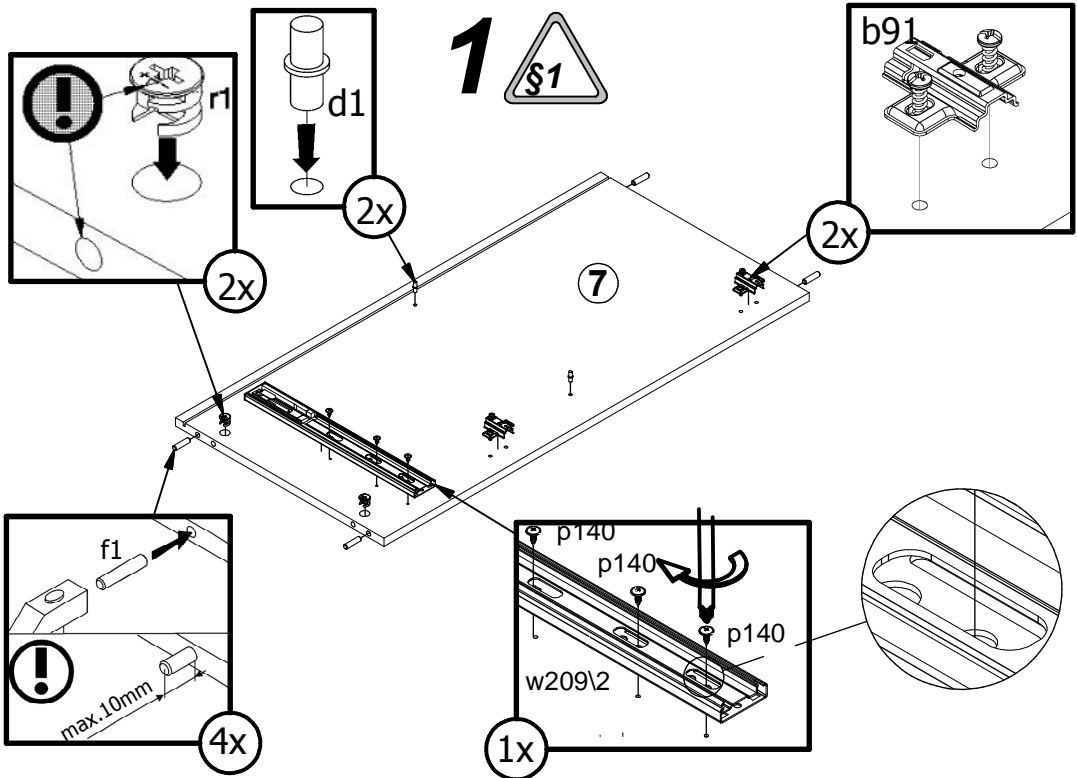
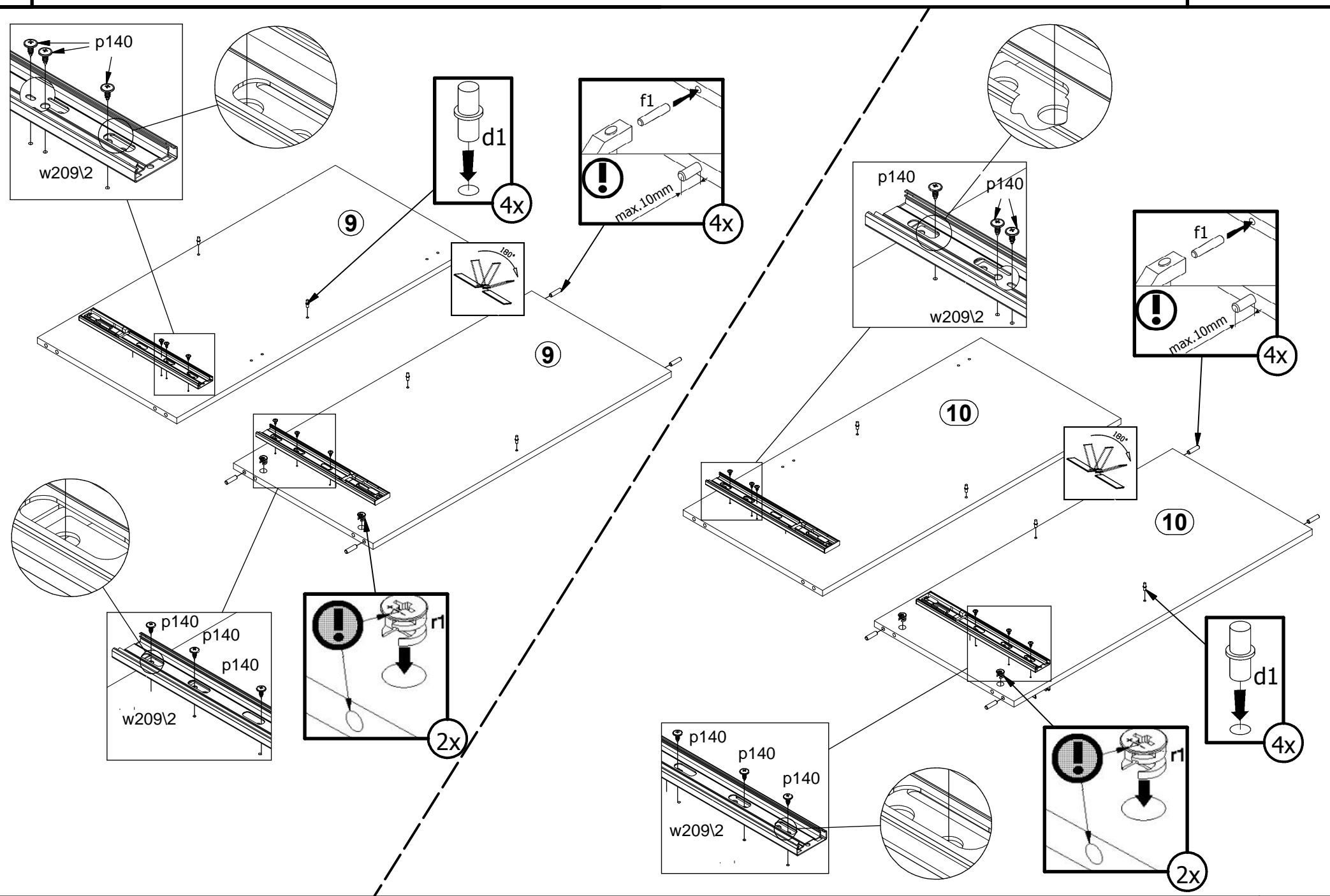
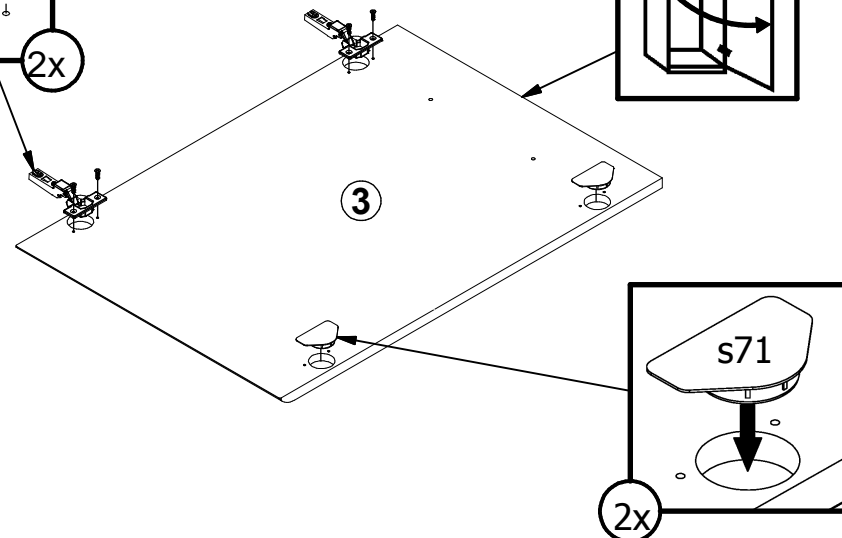
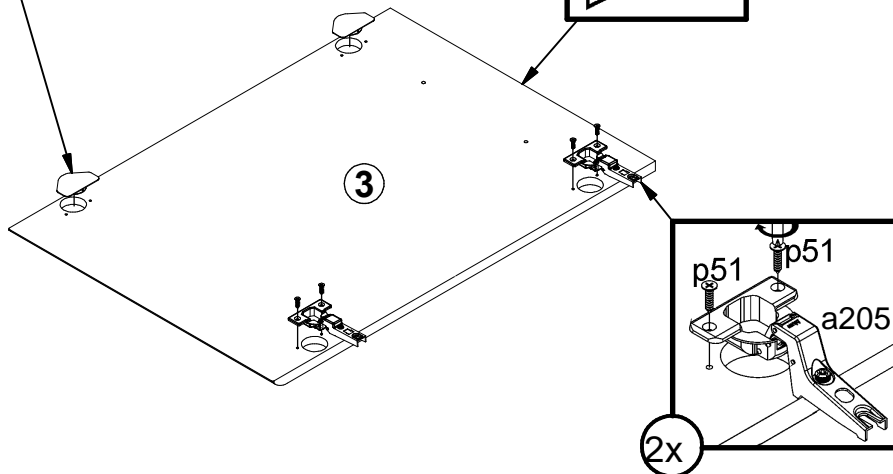
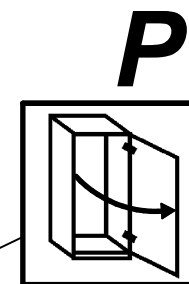
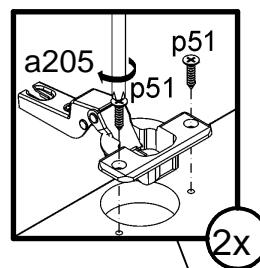
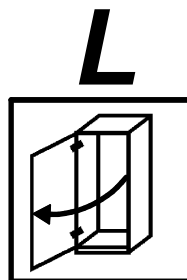
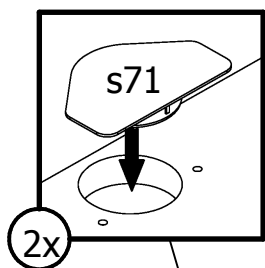
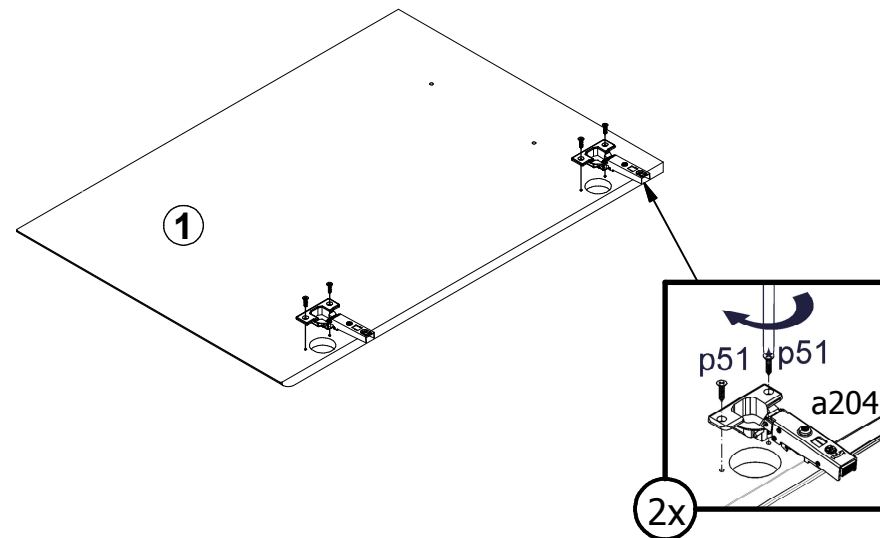
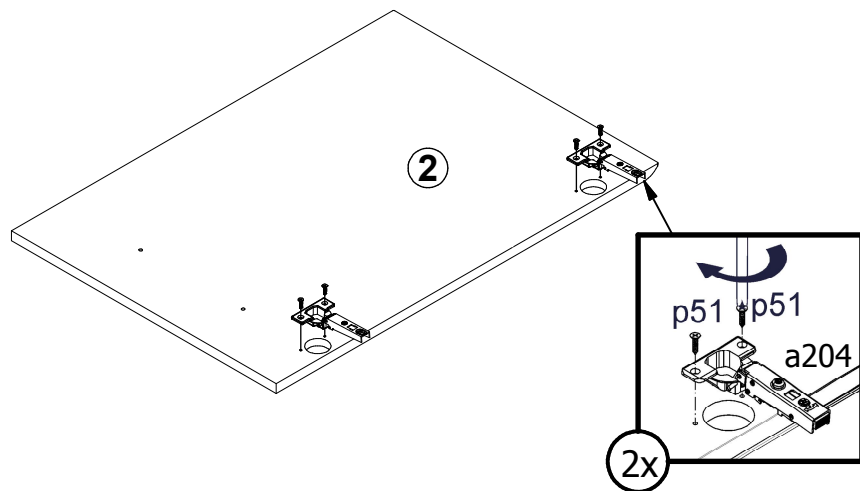


A	B	C1	C2	C3	D
1	S513-0006	716	496	16	3/3
2	S513-0007	716	496	16	3/3
3	S513-0008	716	496	16	3/3
4	S513-0009	180	496	16	3/3
5	S513-0010	180	496	16	3/3
6	S513-0011	180	496	16	3/3
7	S513-1015	876	430	15	1/3
8	S513-1016	876	430	15	1/3
9	S513-1017	876	410	15	1/3
10	S513-1018	876	410	15	1/3
11	S513-2010	1500	430	15	2/3
12	S513-2011	1500	430	15	2/3
13	S513-3014	477	400	15	2/3
14	S513-3015	482	400	15	2/3
15	S513-9005	886	491	2,5	3/3
16	S513-9006	886	497	2,5	3/3
17	S513-9007	886	491	2,5	3/3
18	WSP-9018	437	408	2,5	1/3
19	WSP-9321	443	408	2,5	1/3
20	ZK3-5013	428	97	15	1/3
21	ZK3-5043	433	97	15	1/3
22	ZK4-525	400	110	12	1/3
23	ZK4-526	400	110	12	1/3

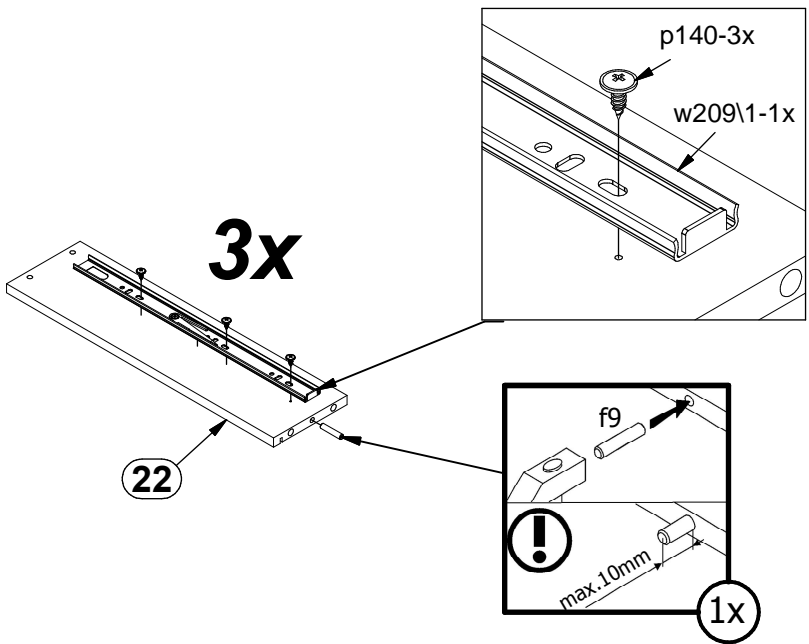
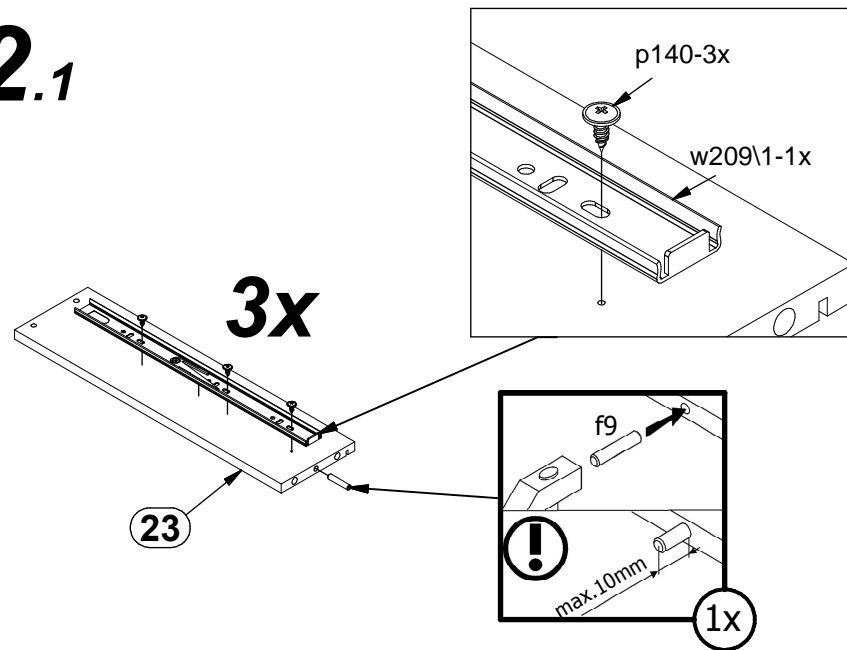




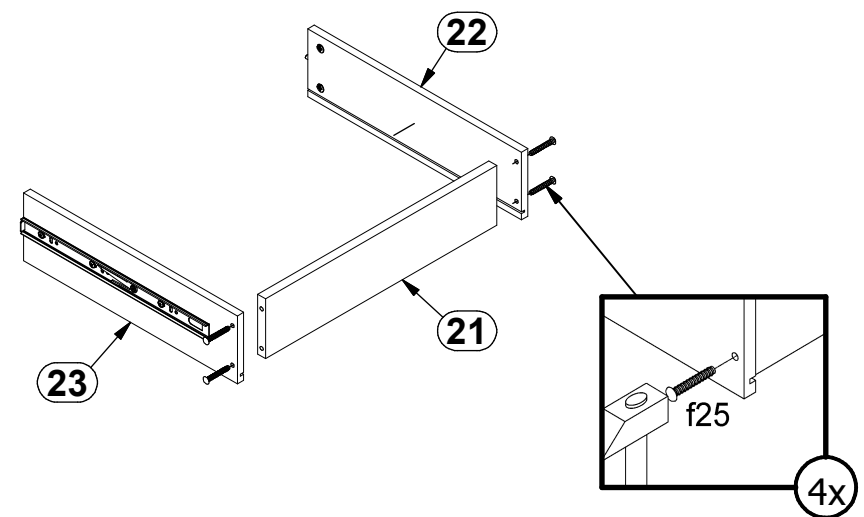
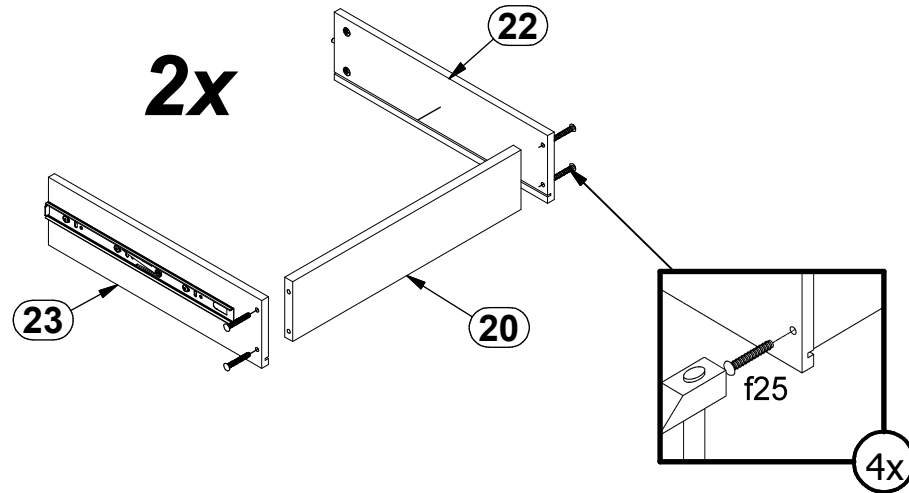




2.1

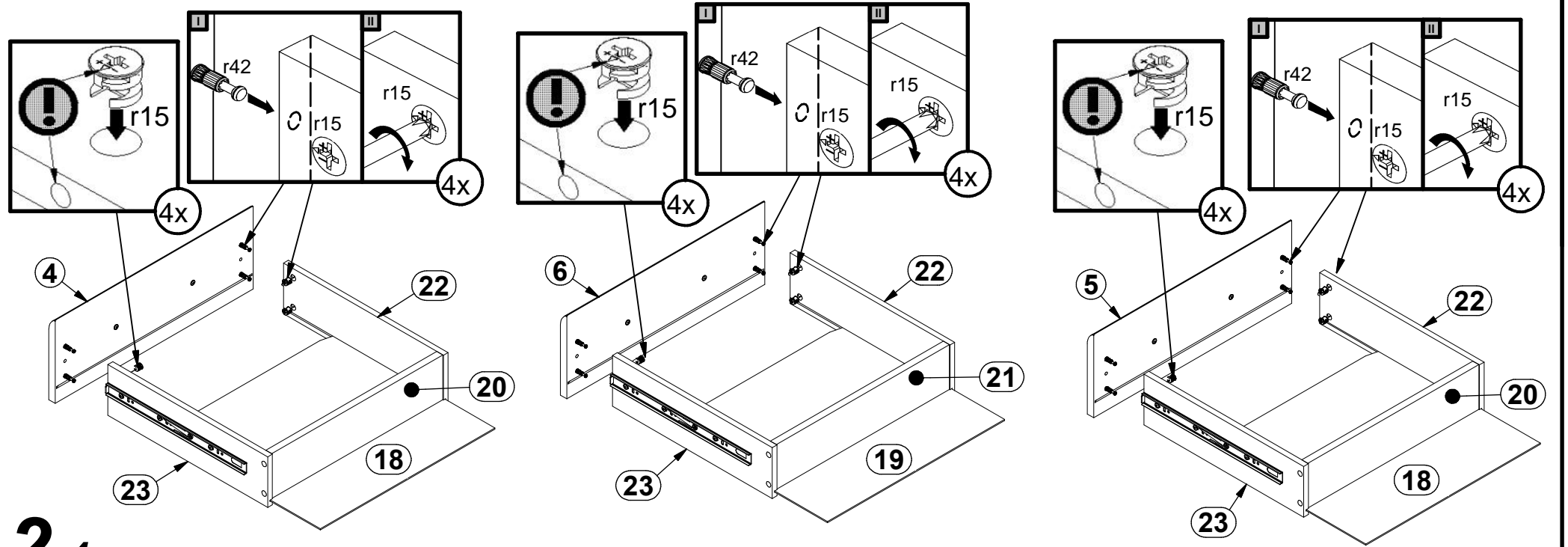
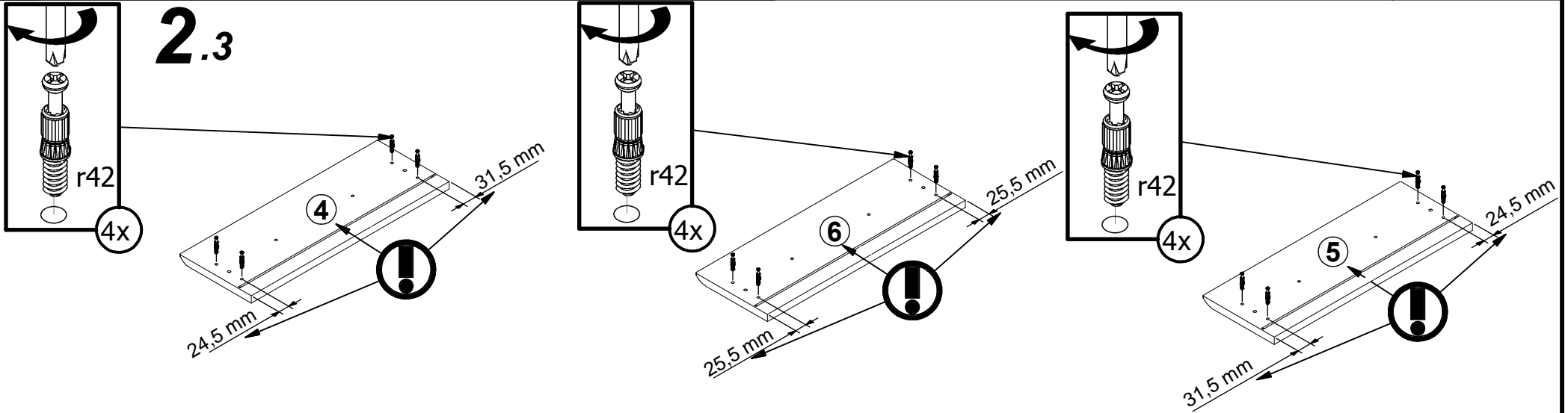


2.2

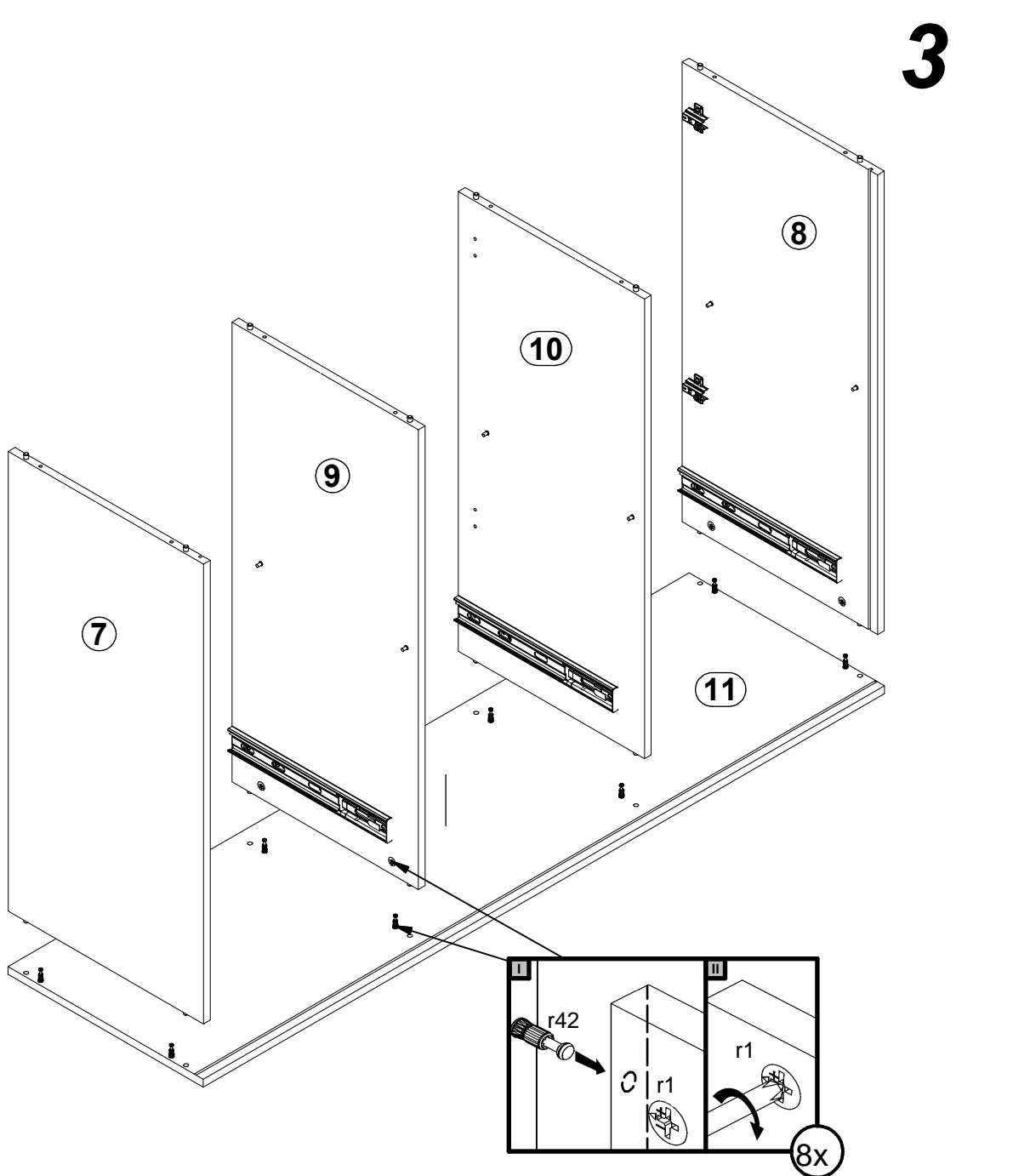
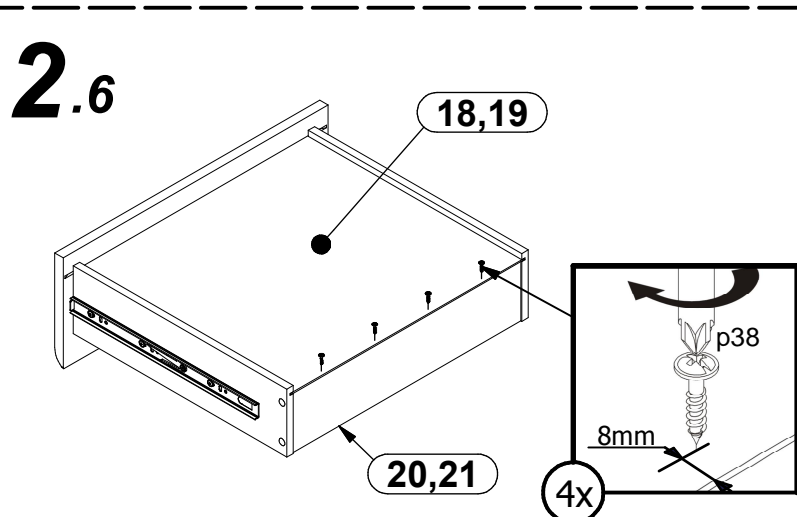
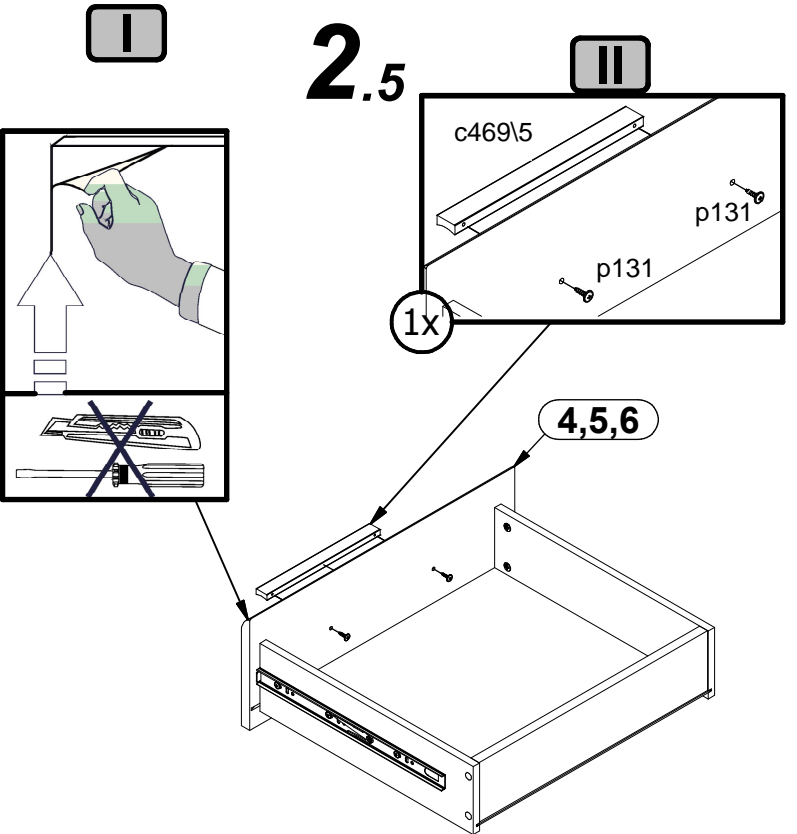


A S513-KOM3D3S/9/15

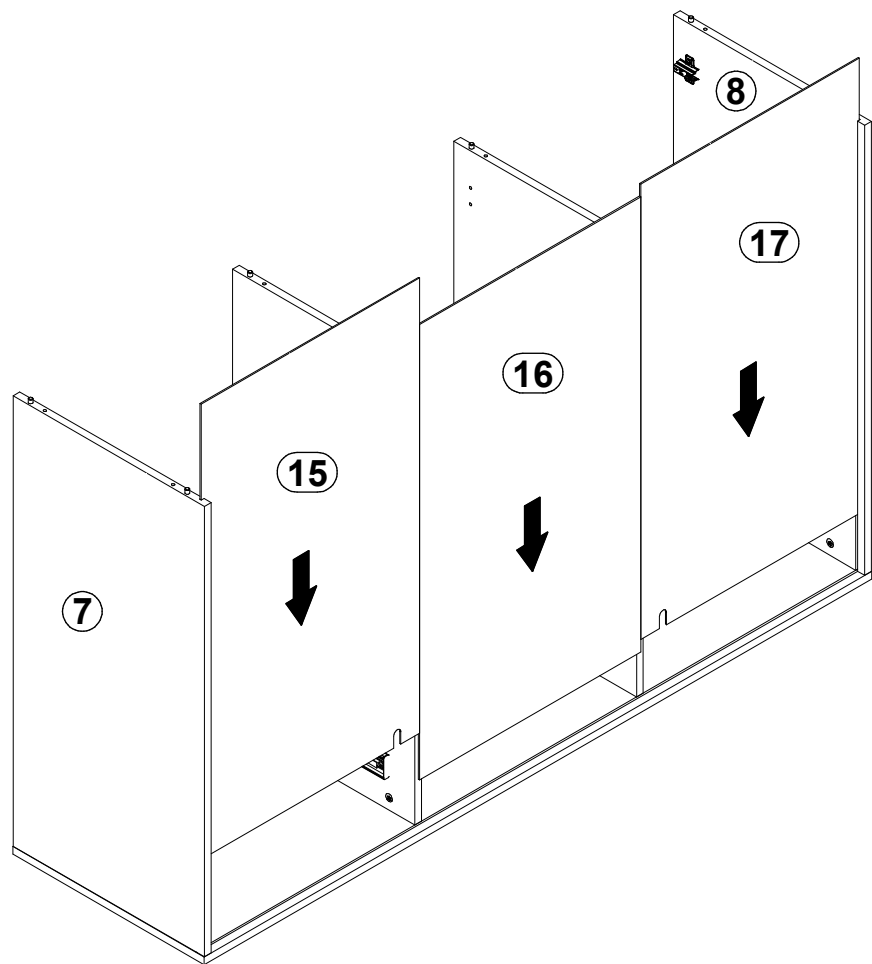
2.3



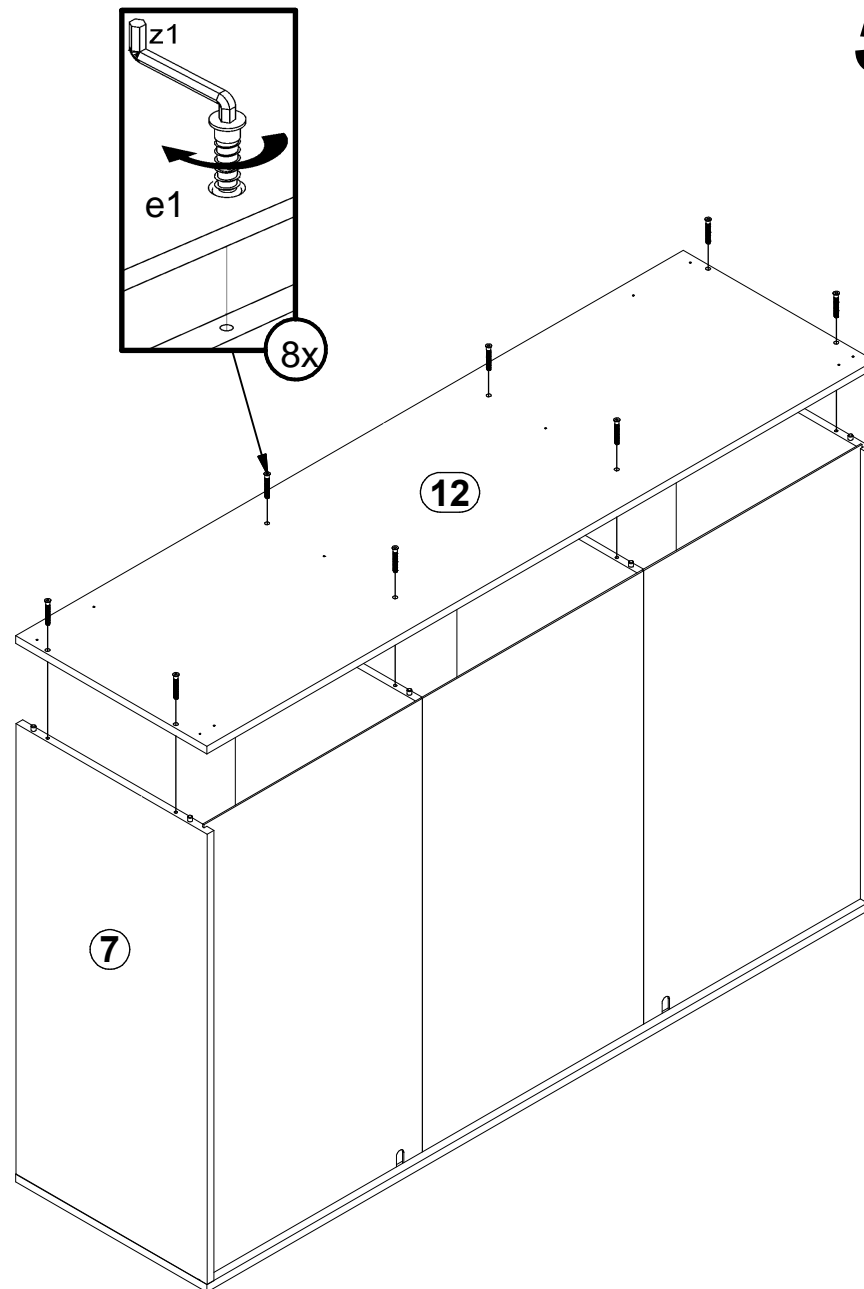
2.4



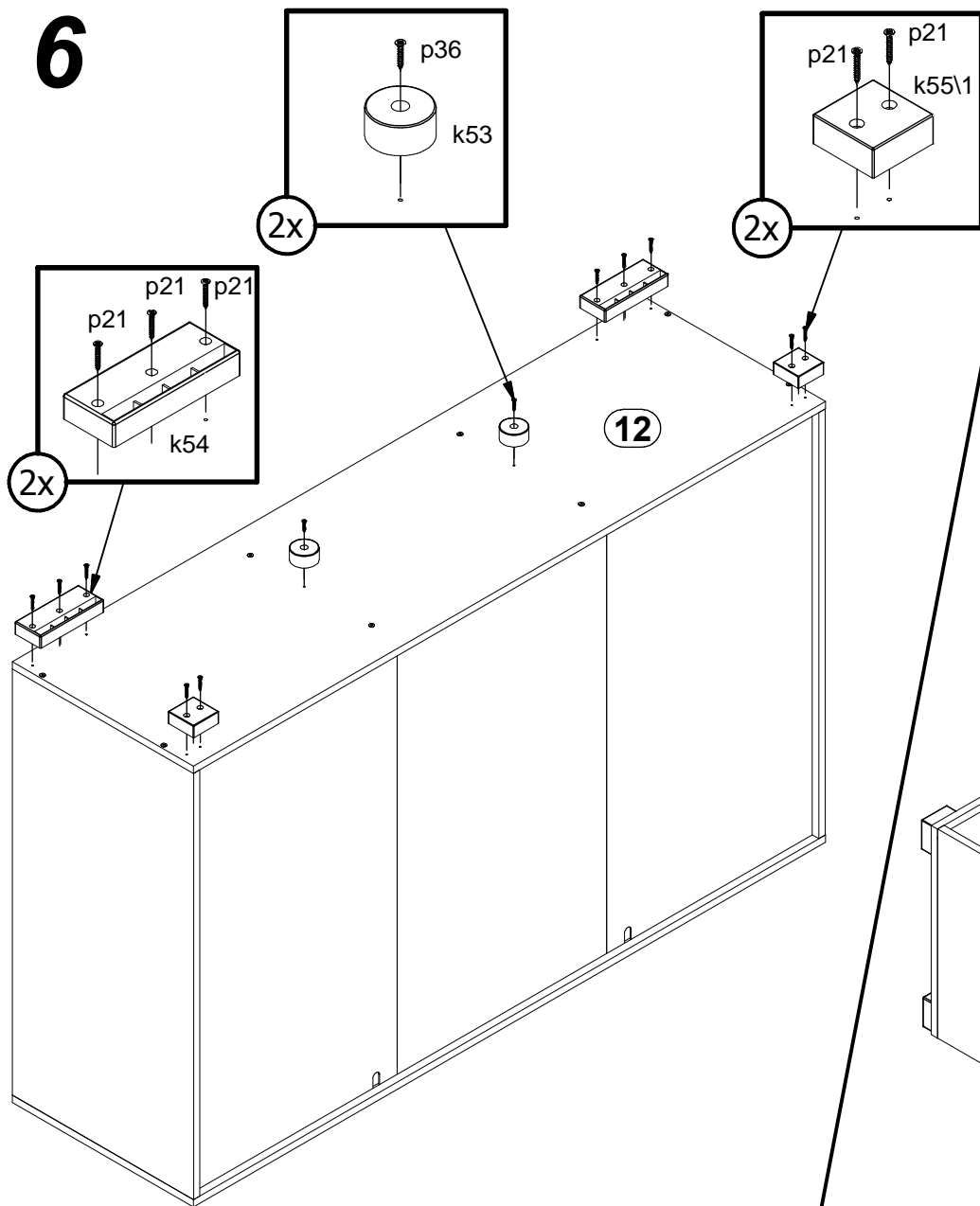
4



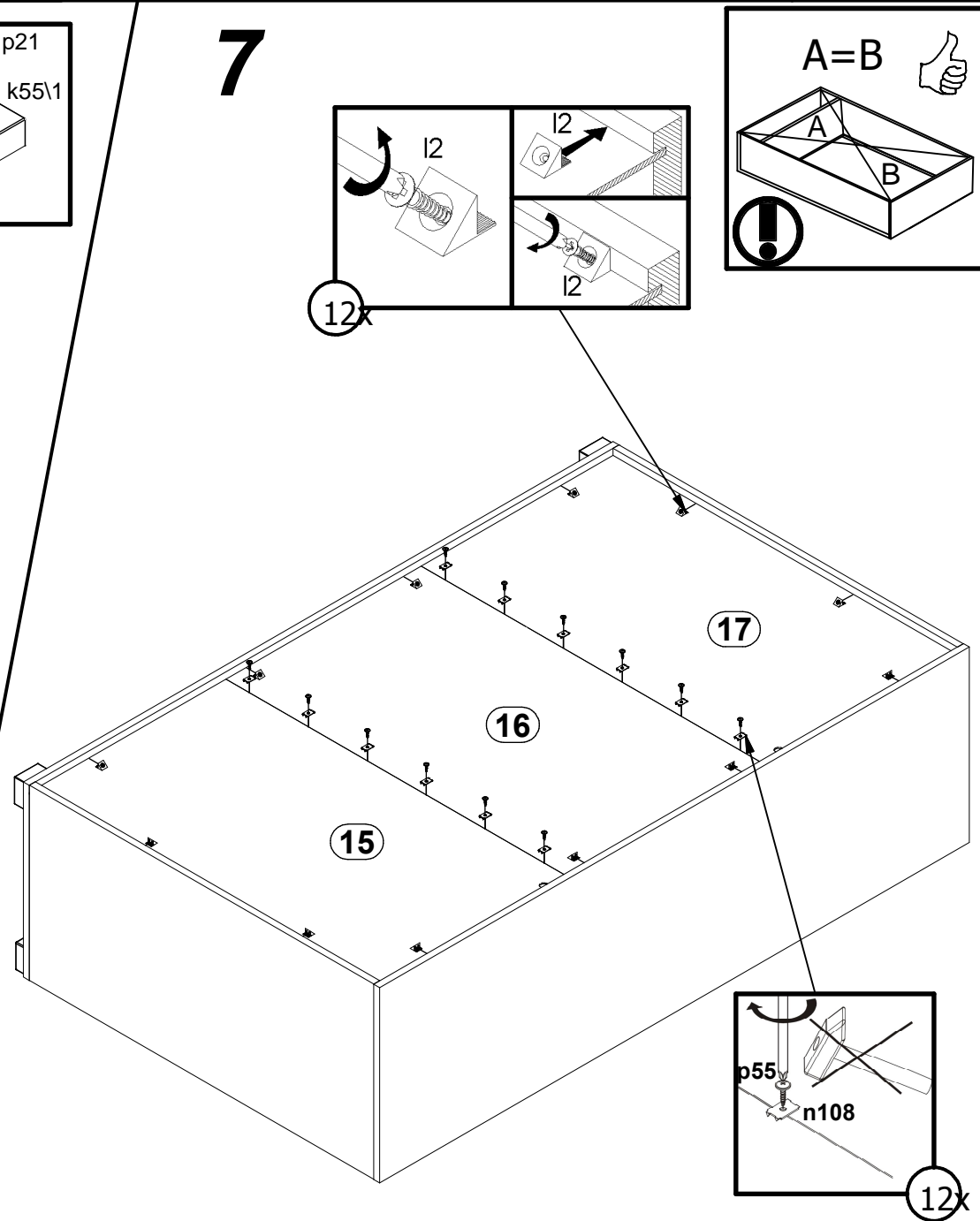
5

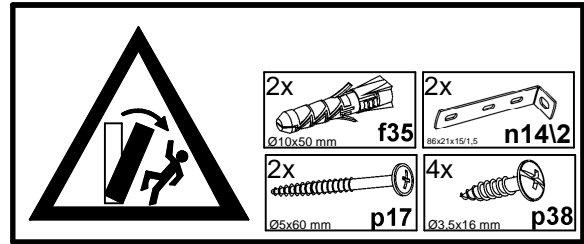
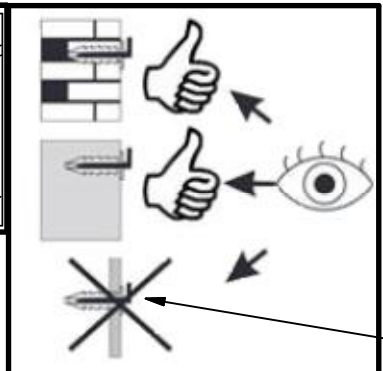
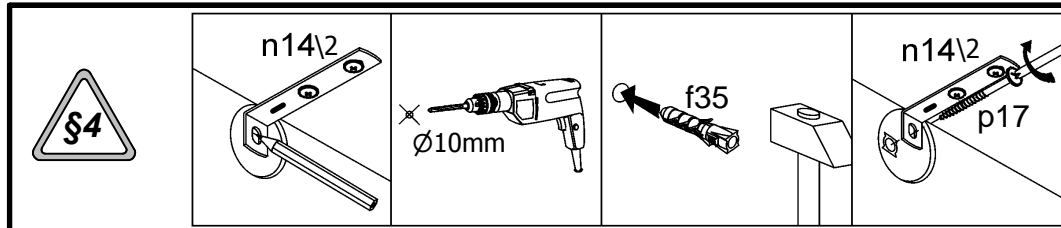


6

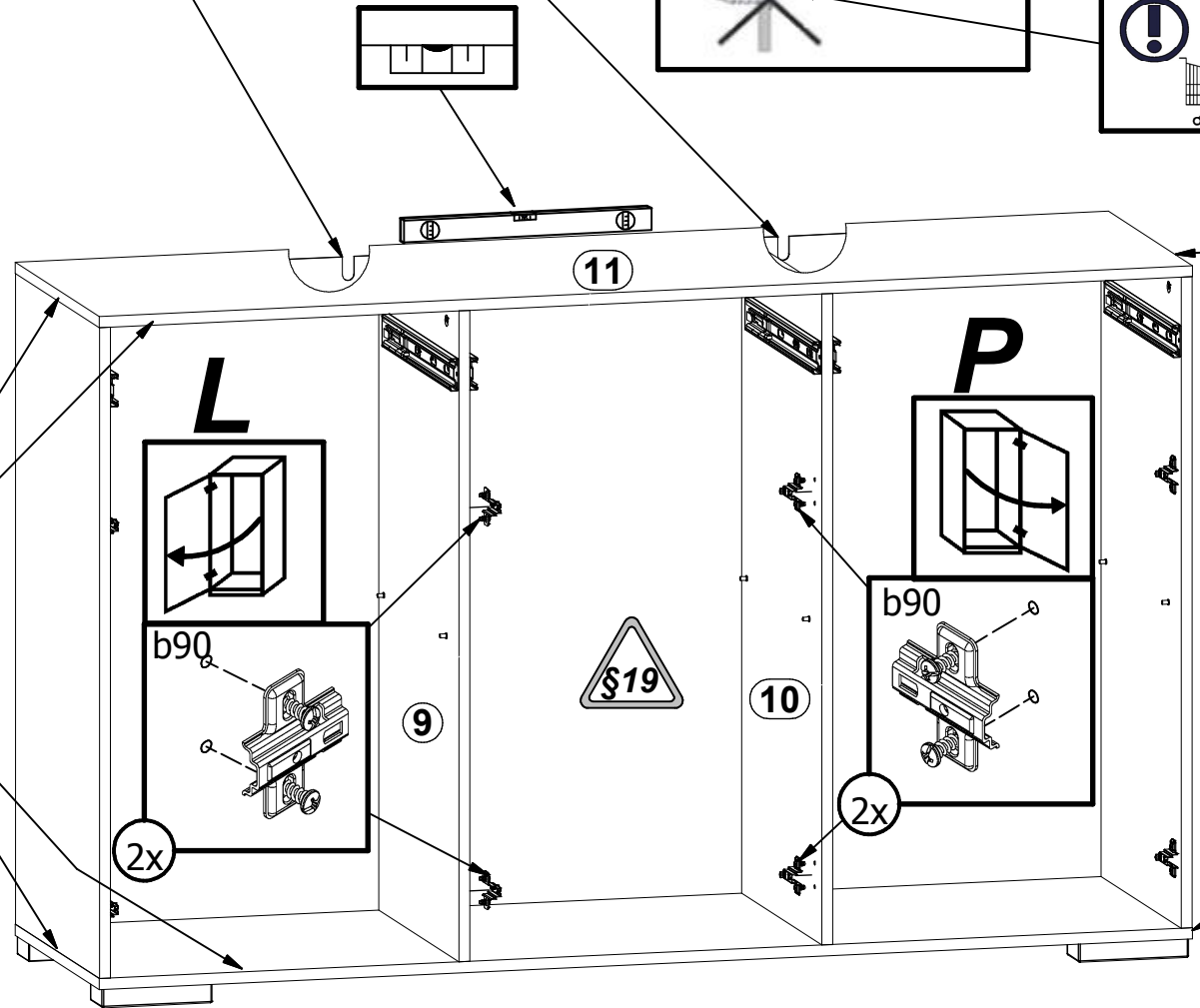
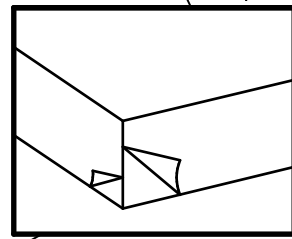
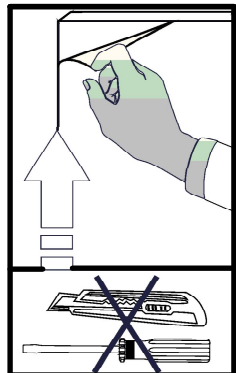
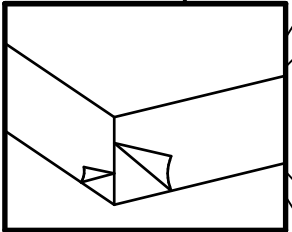
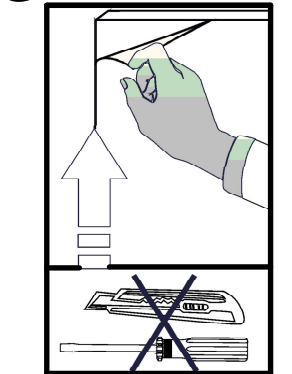


7

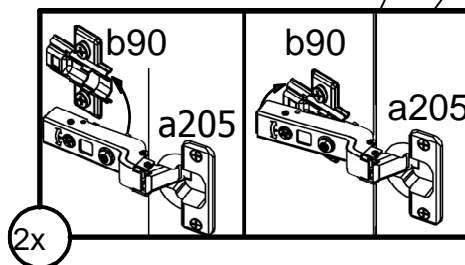
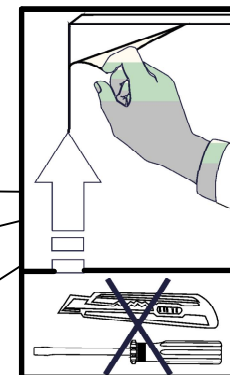
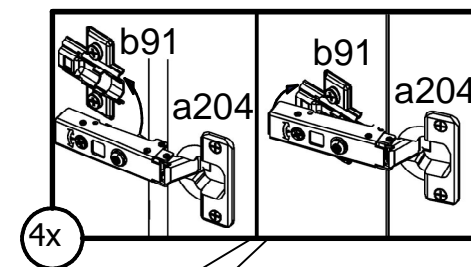
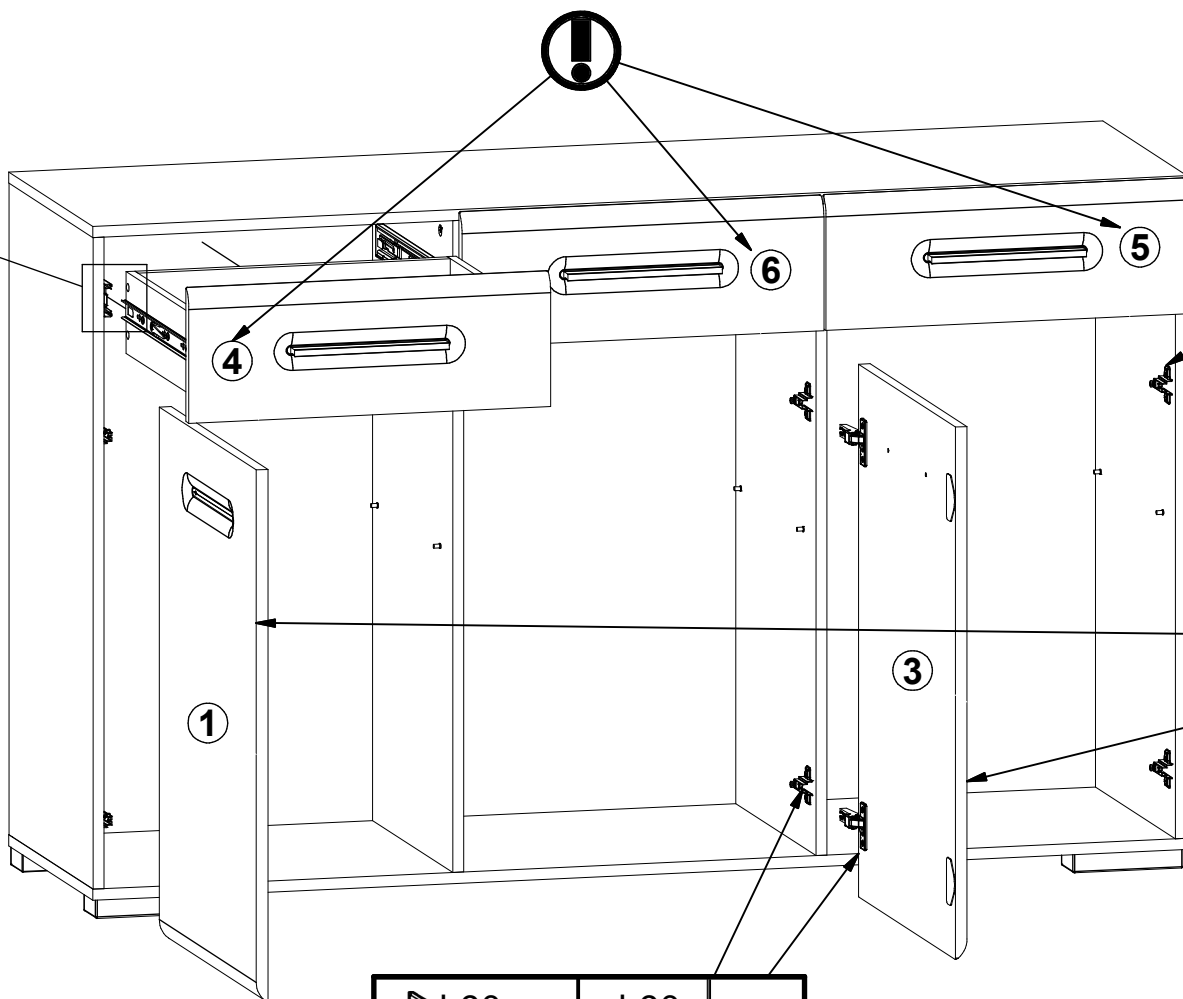
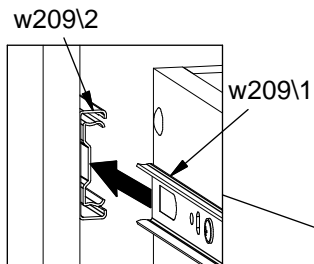


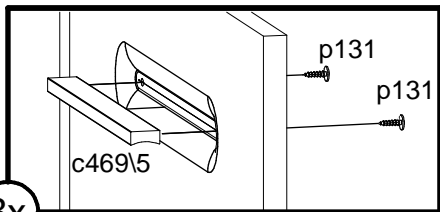


8

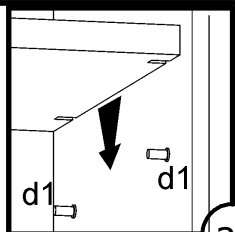


9





3x



3x

