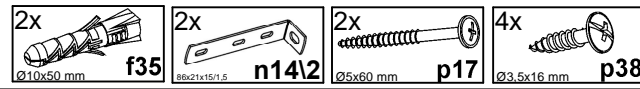
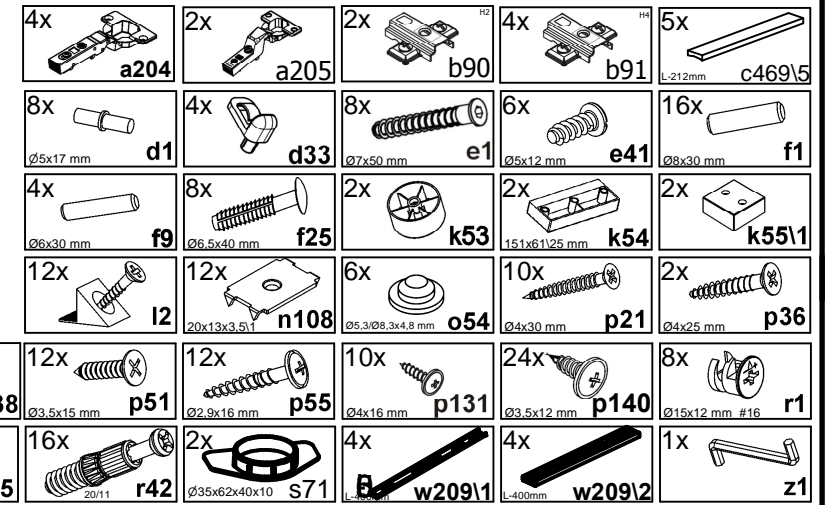
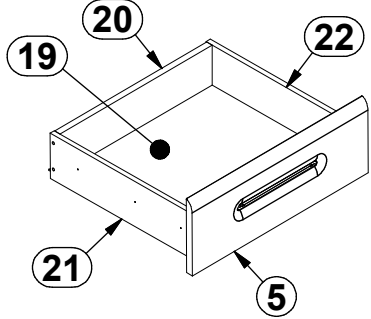
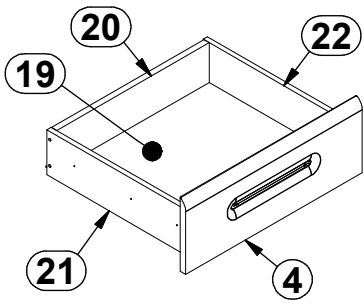
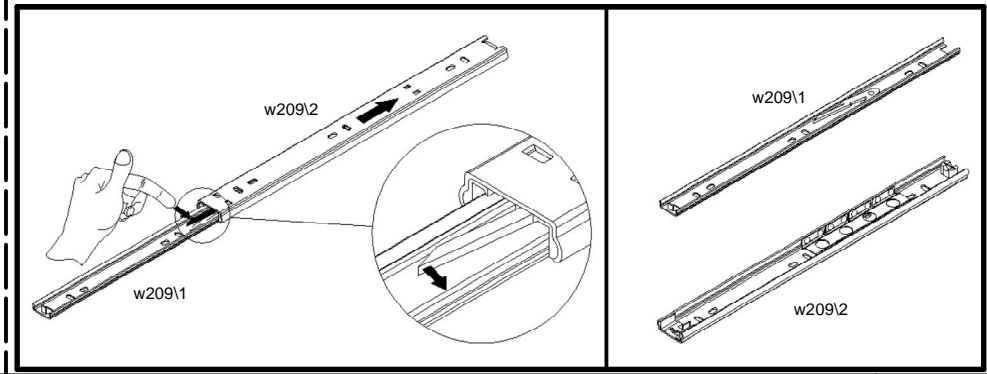
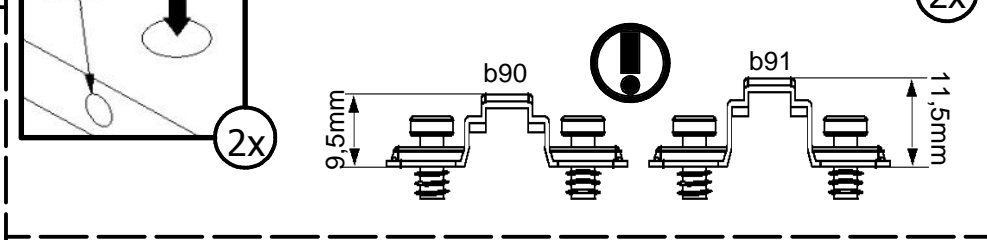
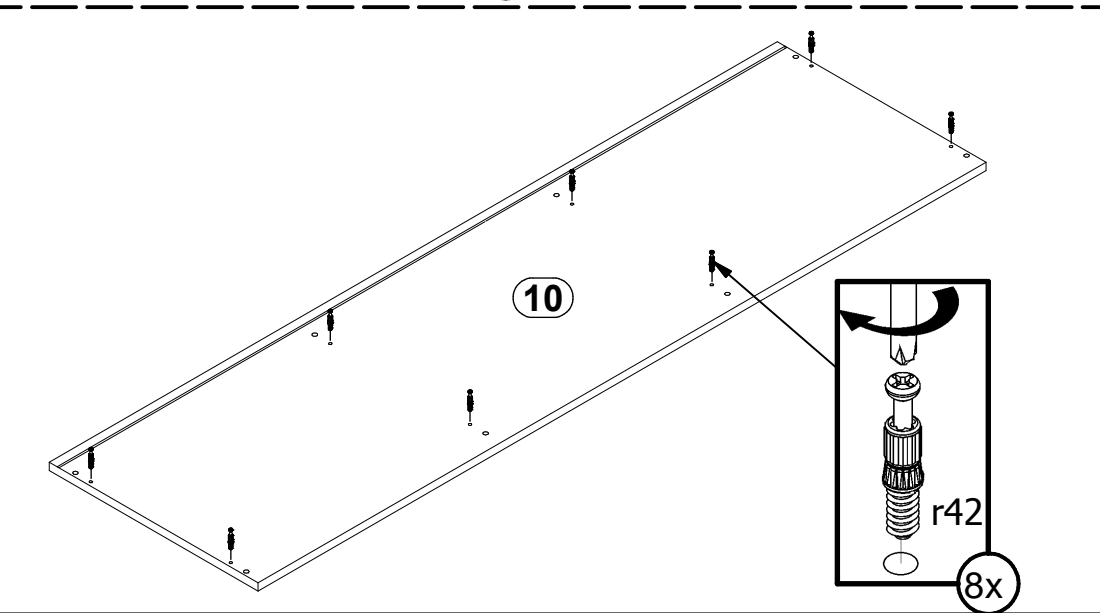
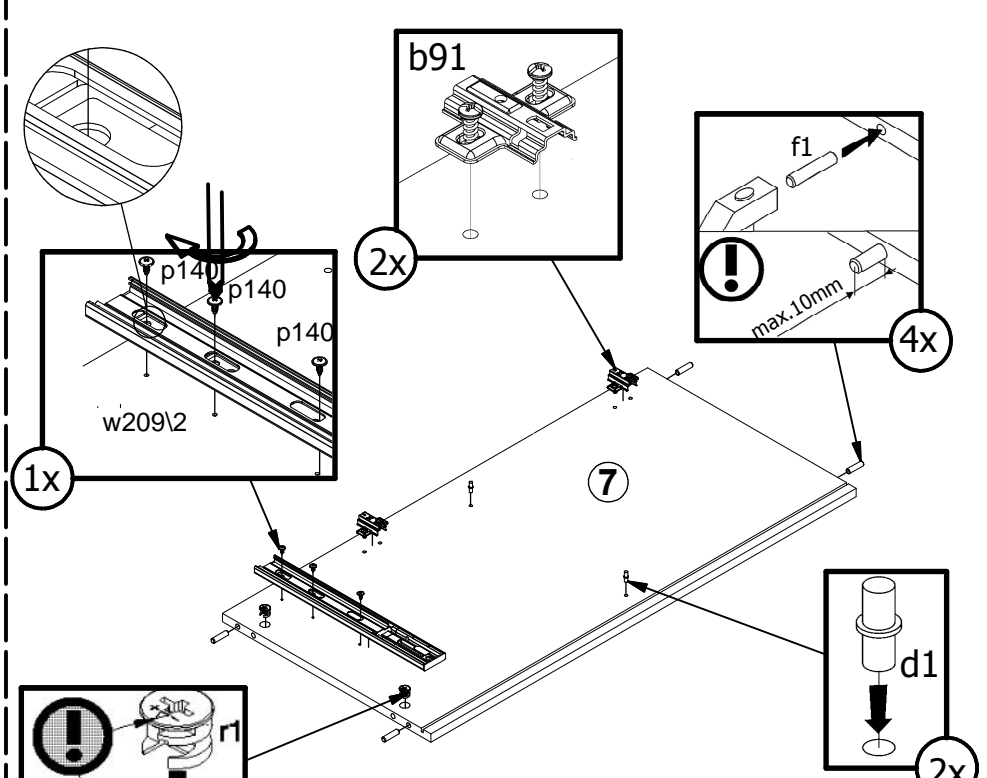
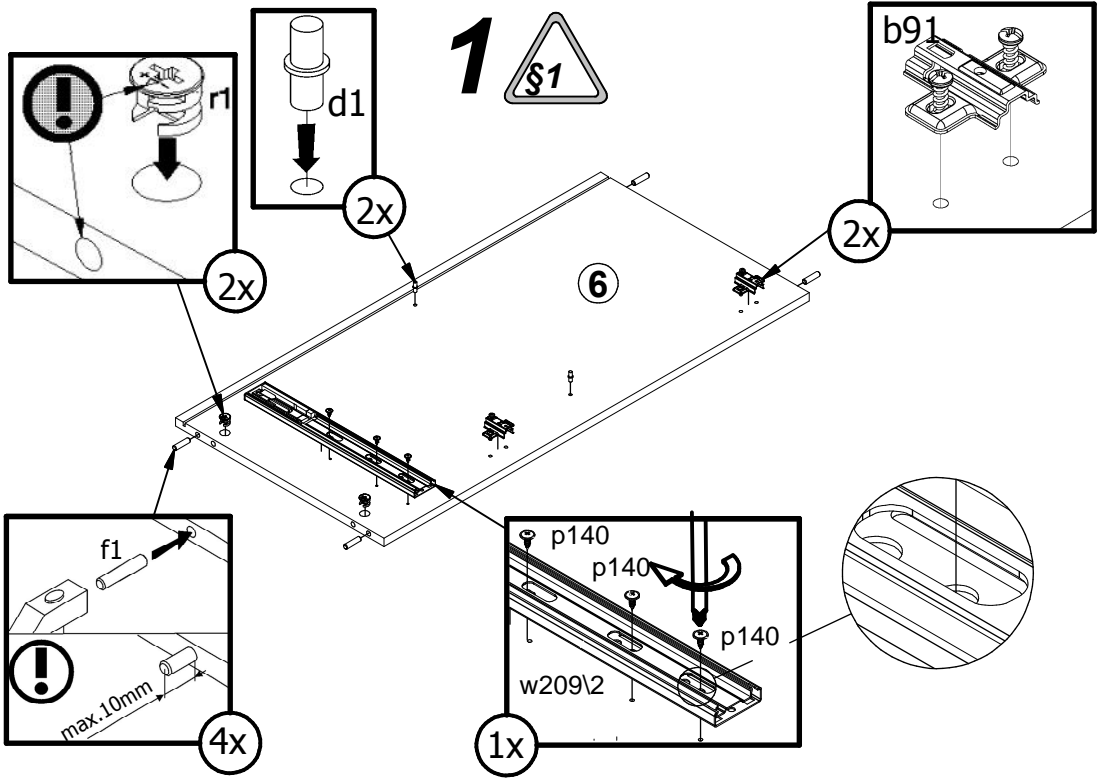
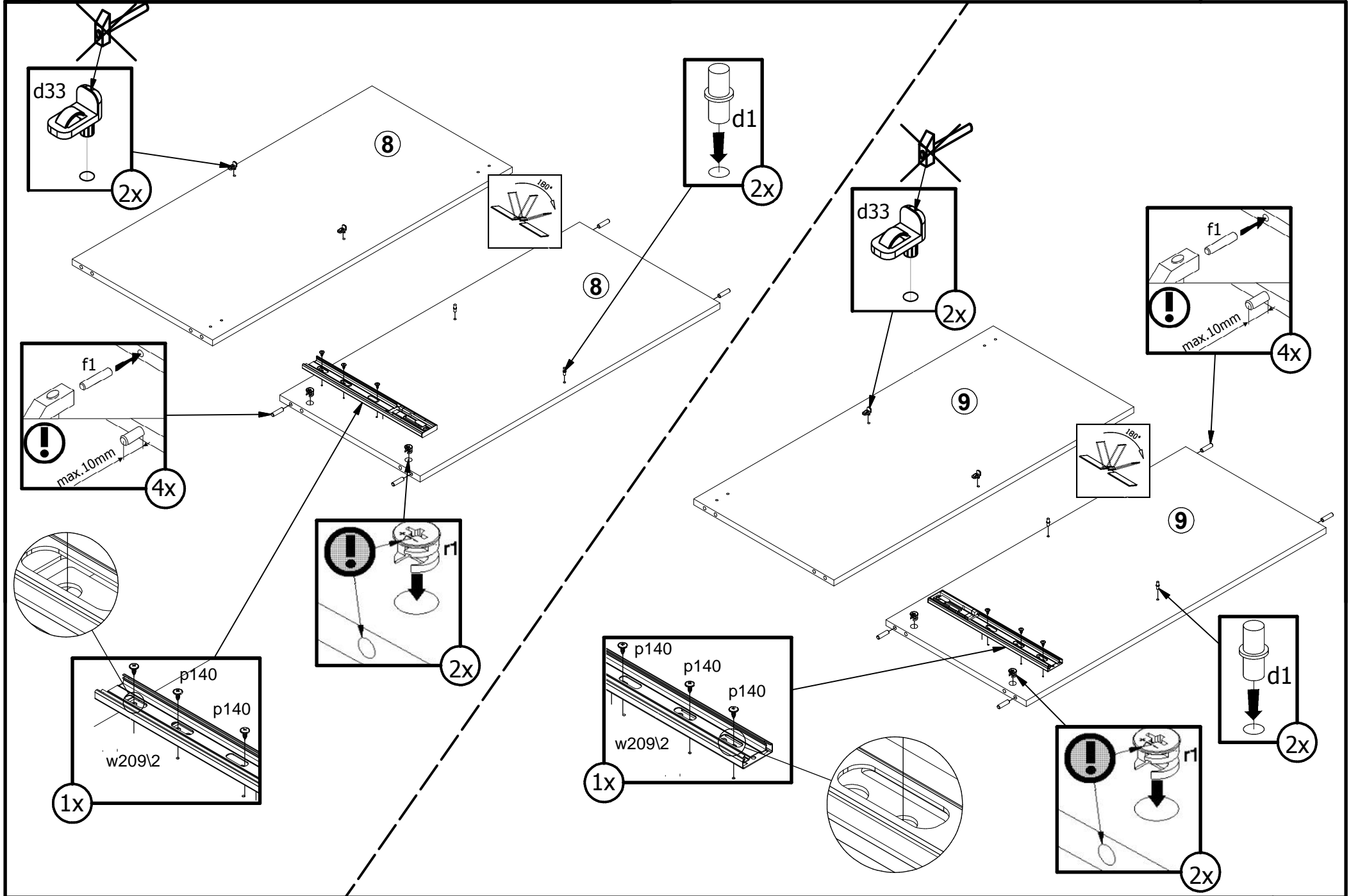
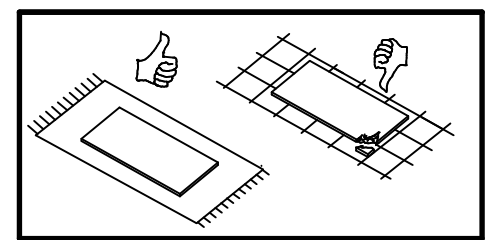
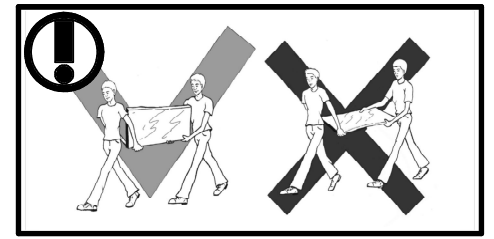
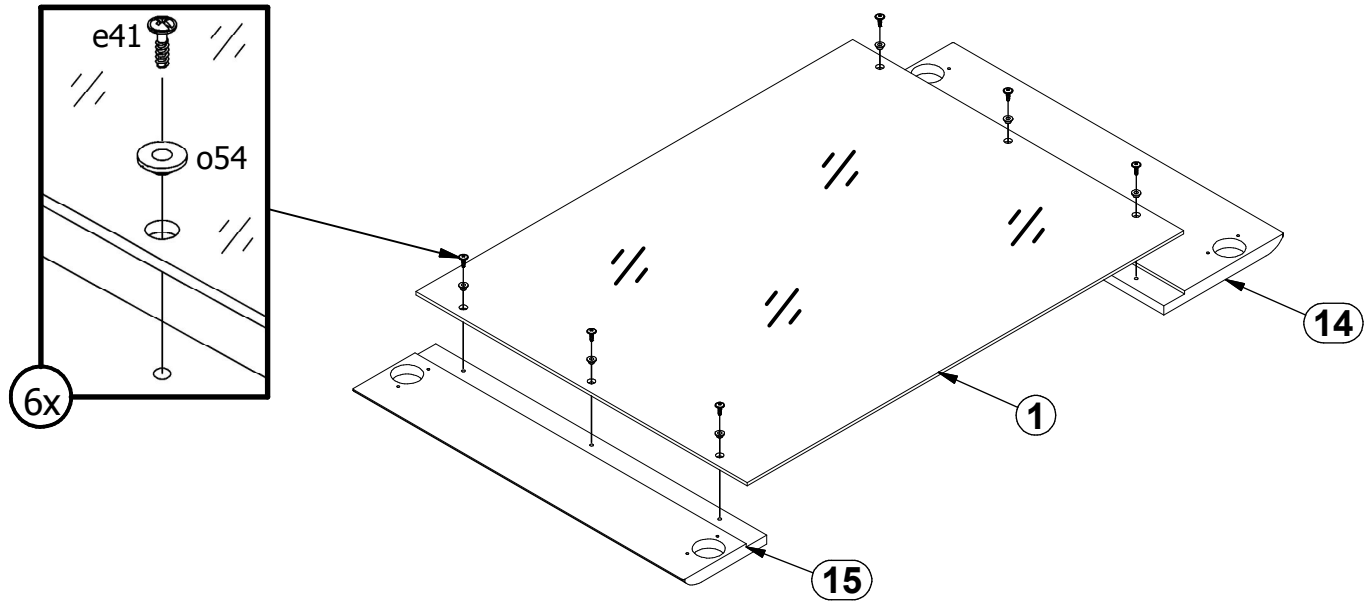
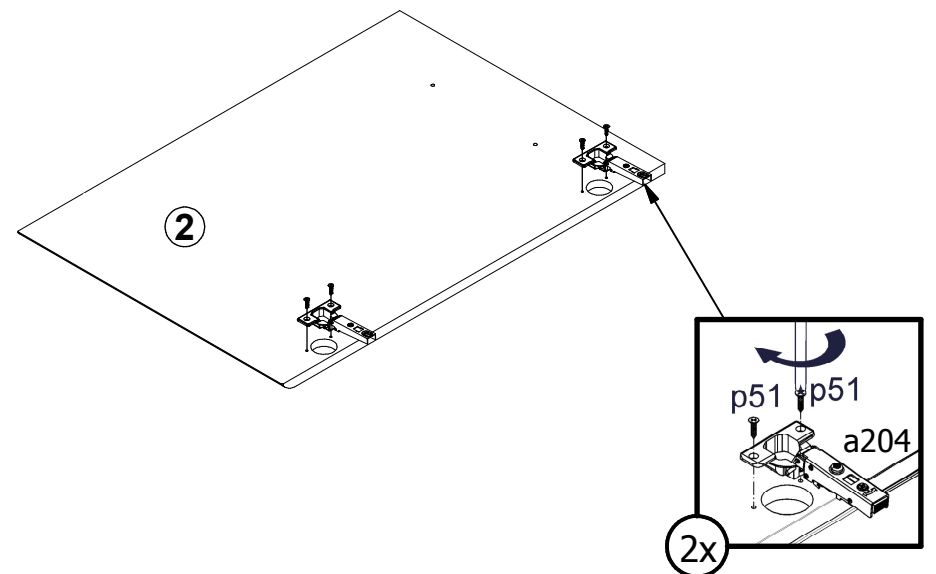
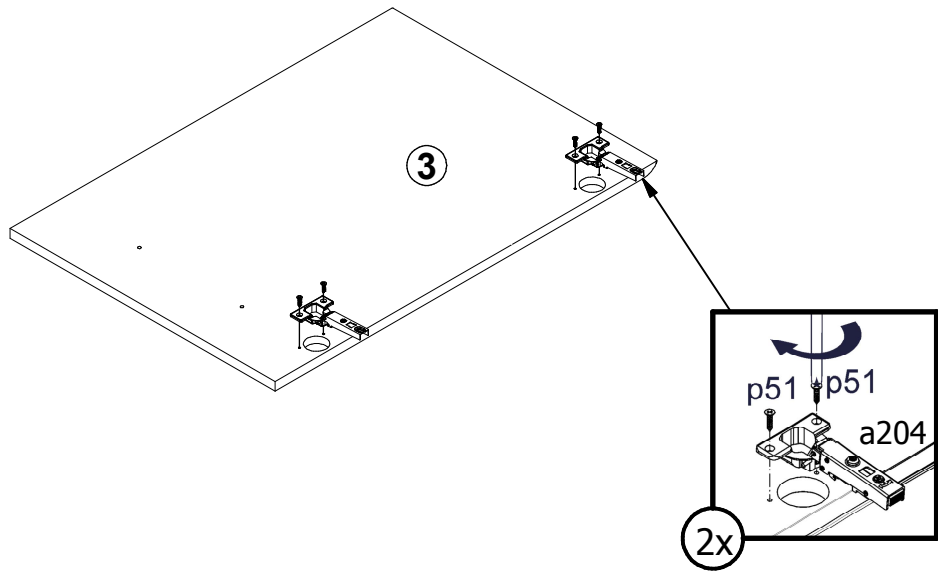


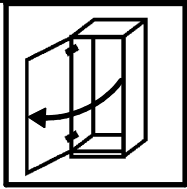
A	B	C1	C2	C3	D
1	S513-5555	654	496	4	1/3
2	S513-0006	716	496	16	1/3
3	S513-0007	716	496	16	1/3
4	S513-0009	180	496	16	1/3
5	S513-0010	180	496	16	1/3
6	S513-1015	876	430	15	3/3
7	S513-1016	876	430	15	3/3
8	S513-1019	876	410	15	3/3
9	S513-1020	876	410	15	3/3
10	S513-2010	1500	430	15	2/3
11	S513-2011	1500	430	15	2/3
12	S513-3014	477	400	15	2/3
13	S513-3017	476	400	5	2/3
14	S513-7009	180	496	16	1/3
15	S513-7010	125	496	16	1/3
16	S513-9005	886	491	2,5	1/3
17	S513-9006	886	497	2,5	1/3
18	S513-9007	886	491	2,5	1/3
19	WSP-9018	437	408	2,5	2/3
20	ZK3-5013	428	97	15	1/3
21	ZK4-525	400	110	12	1/3
22	ZK4-526	400	110	12	1/3



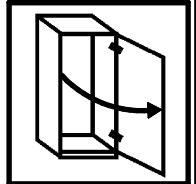
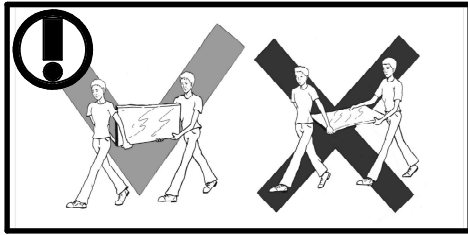




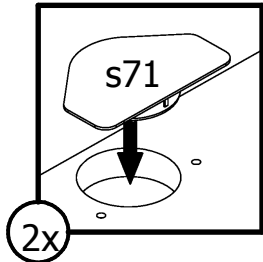




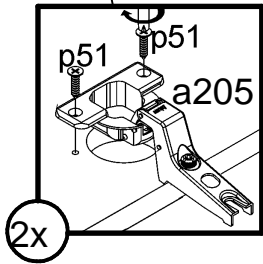
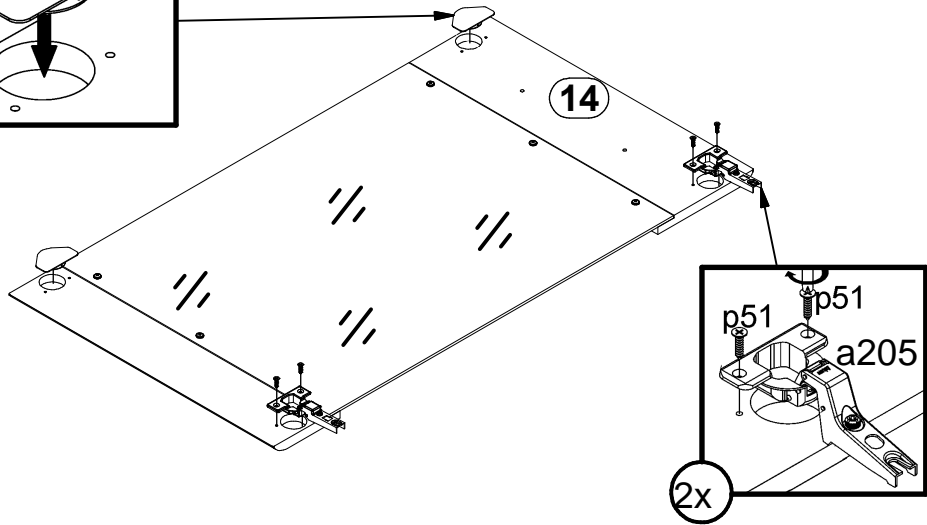
L



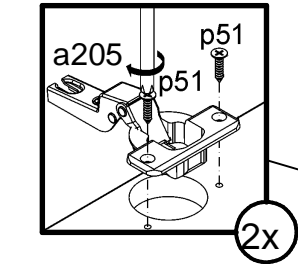
P



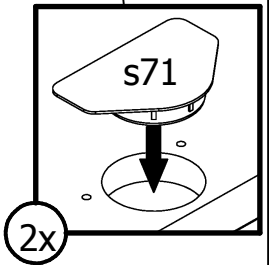
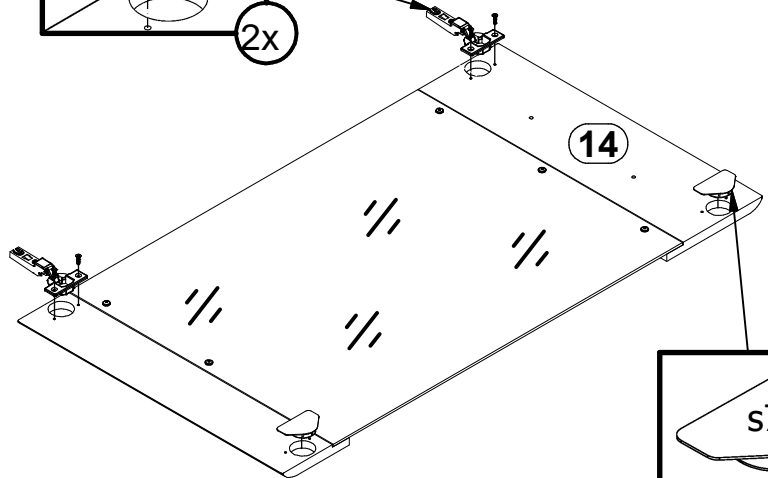
2x



2x

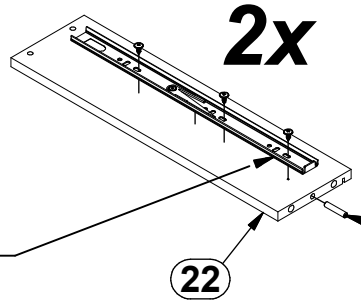


2x

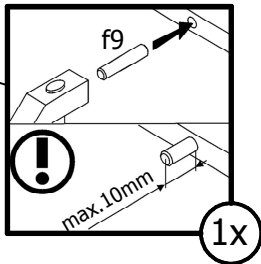


2x

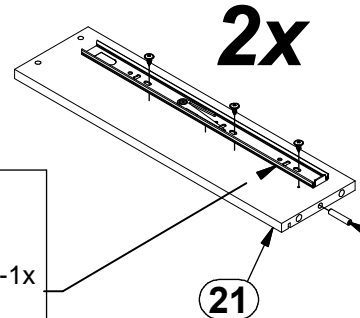
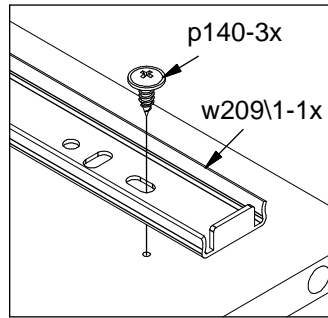
2.1



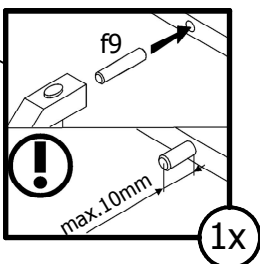
2x



1x

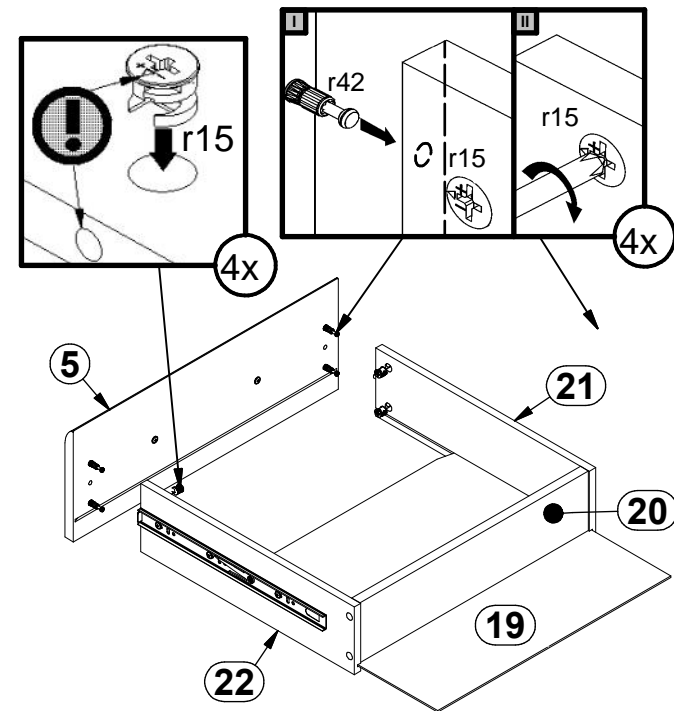
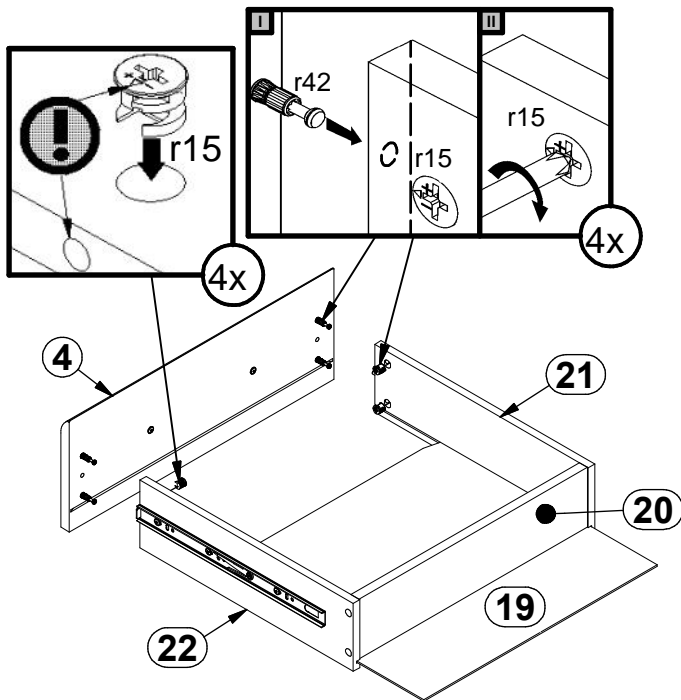
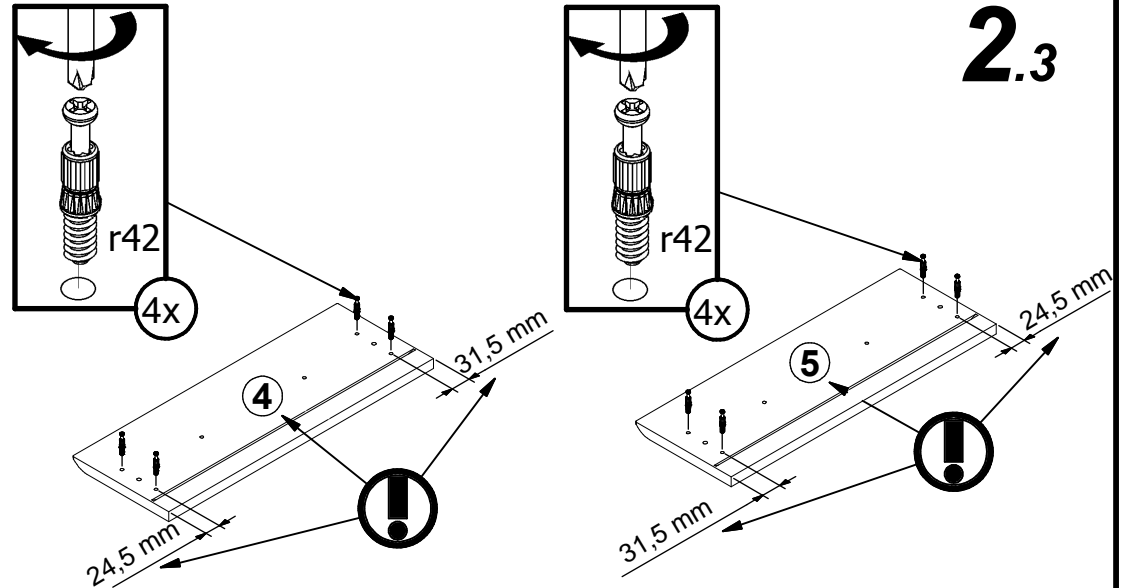
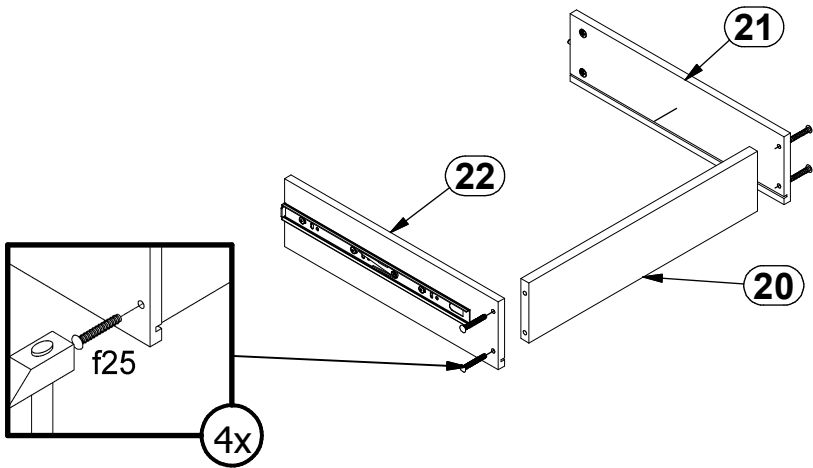


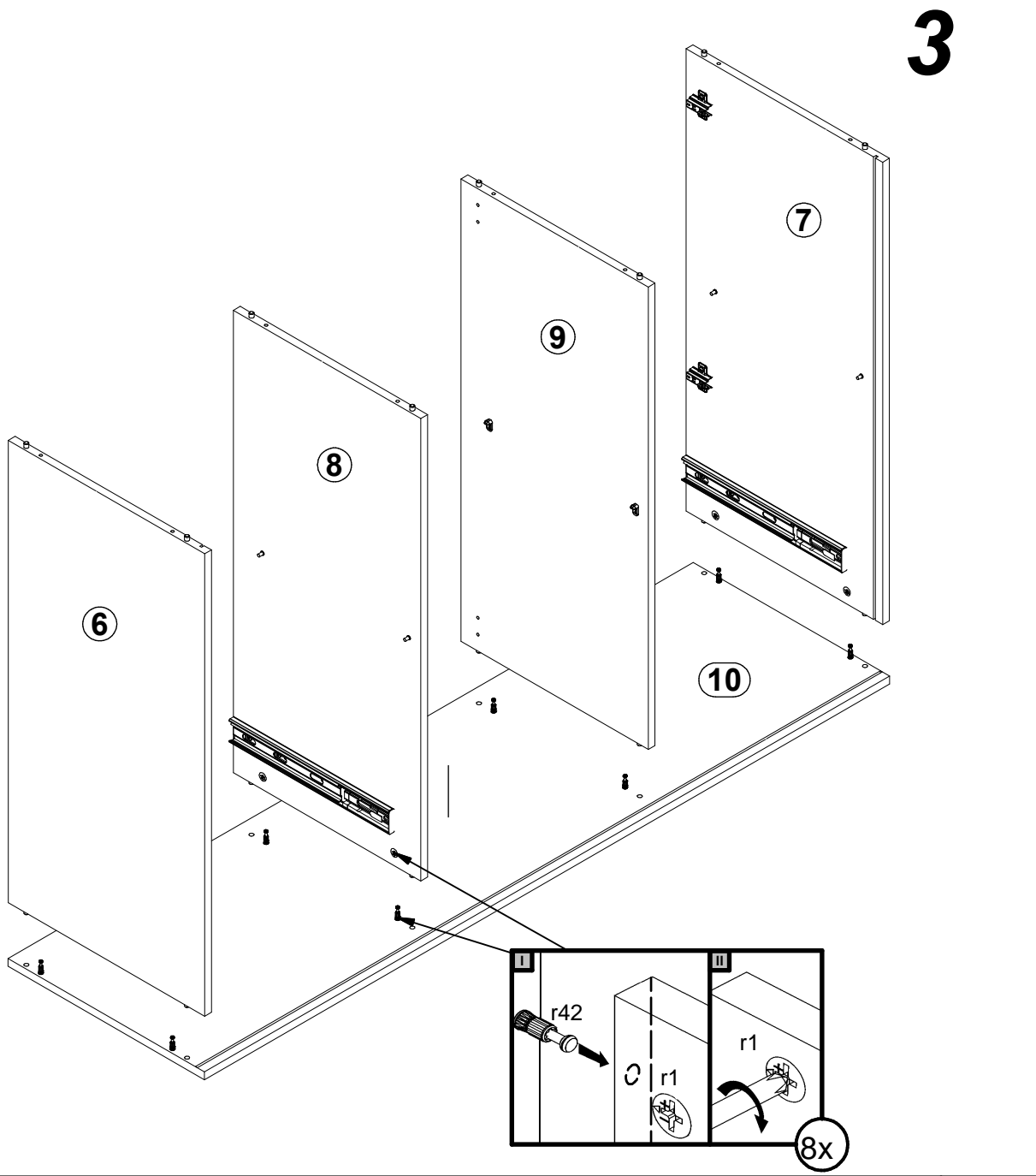
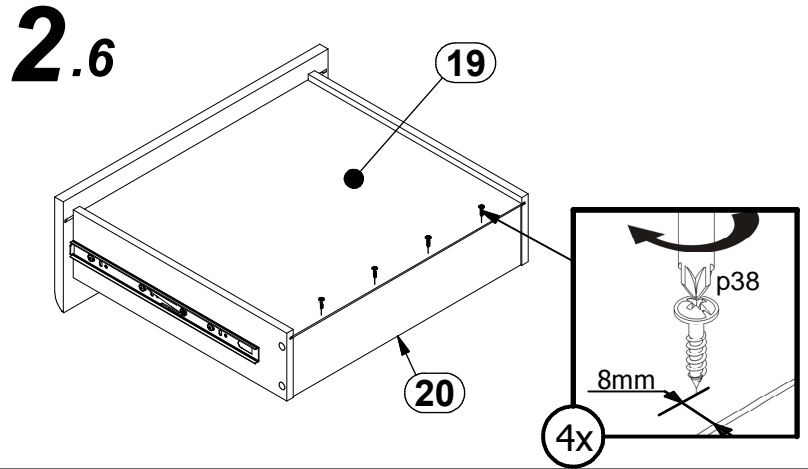
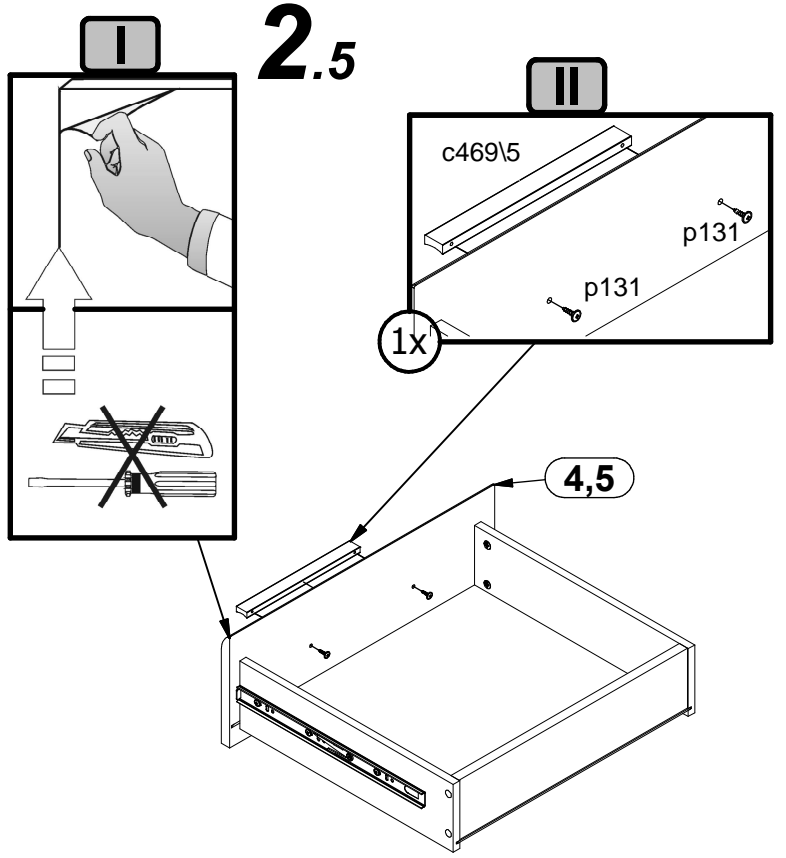
2x



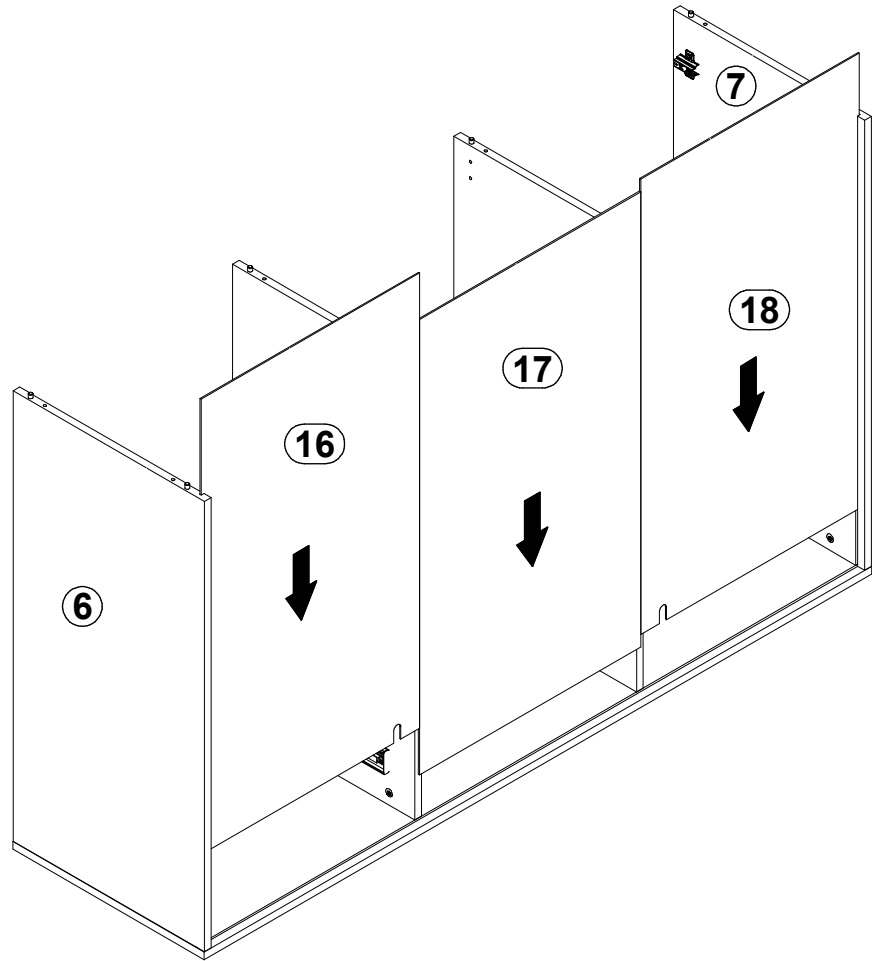
1x

2.2 **2x**

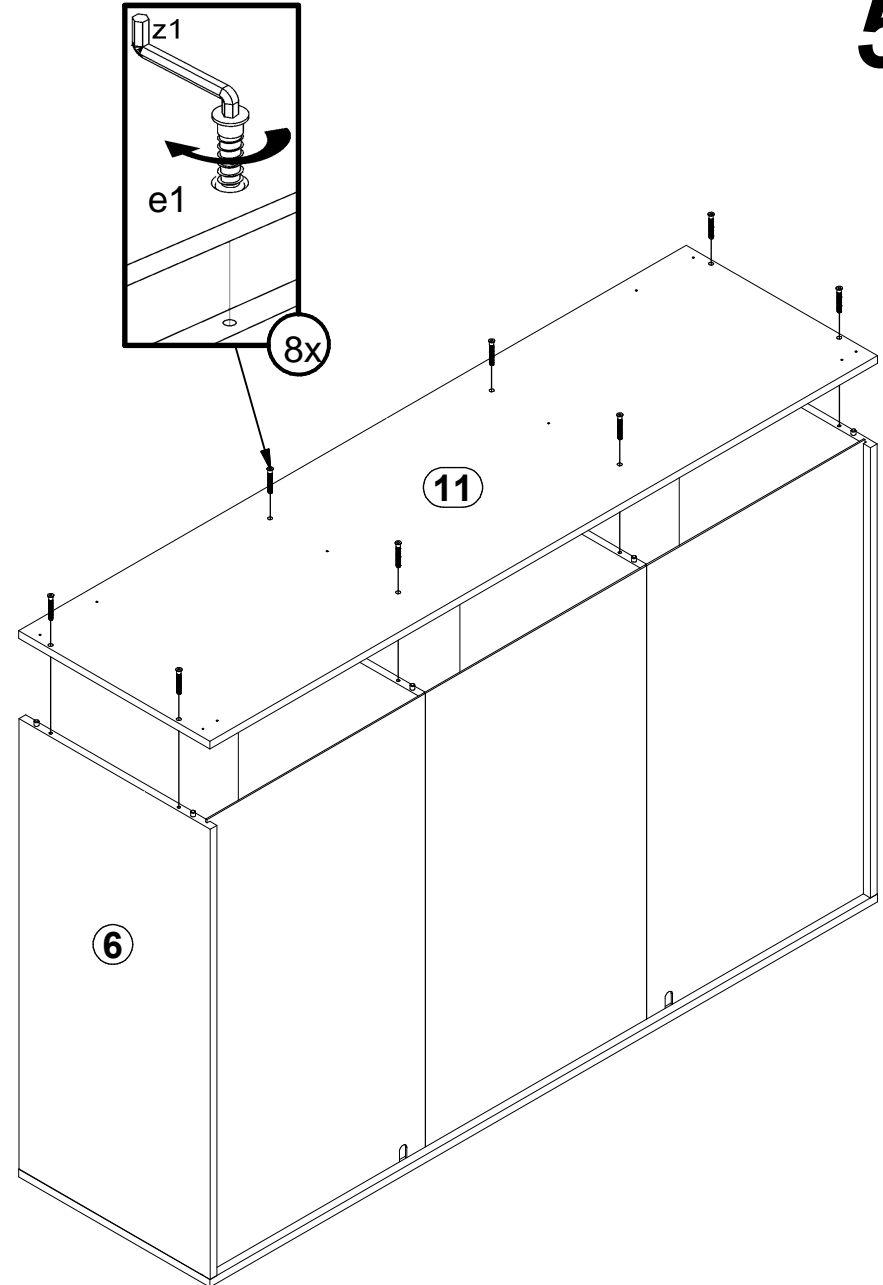




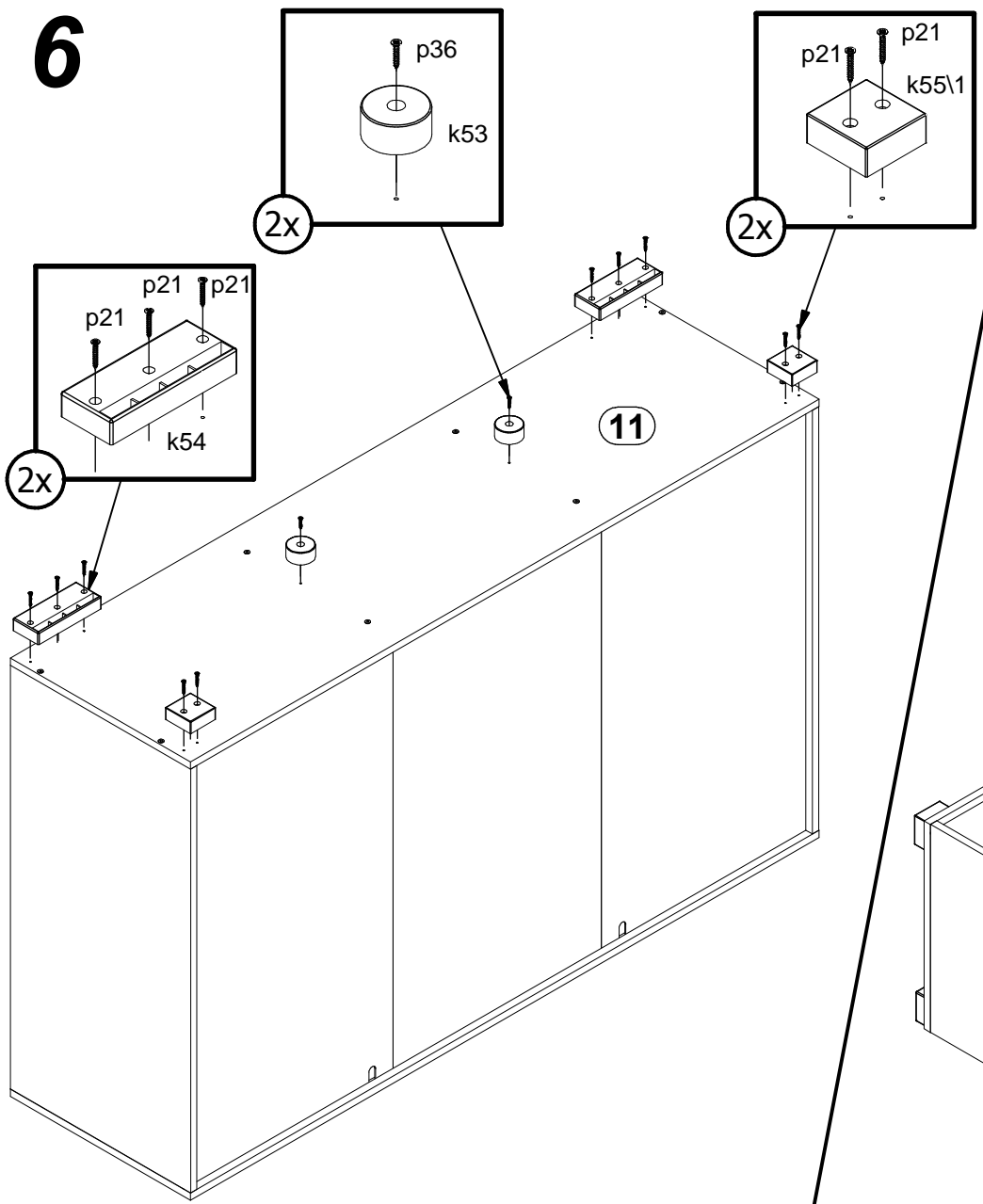
4



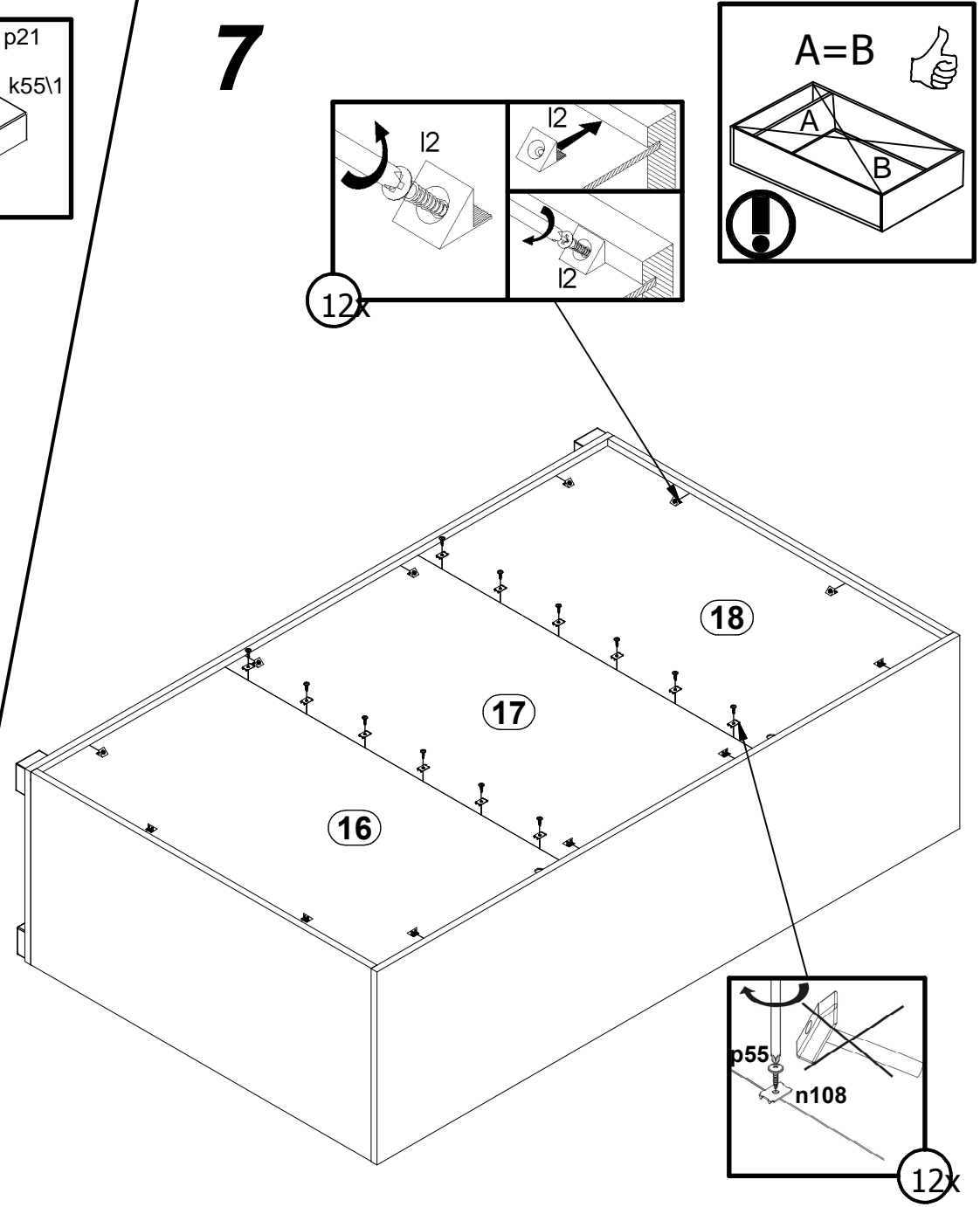
5



6



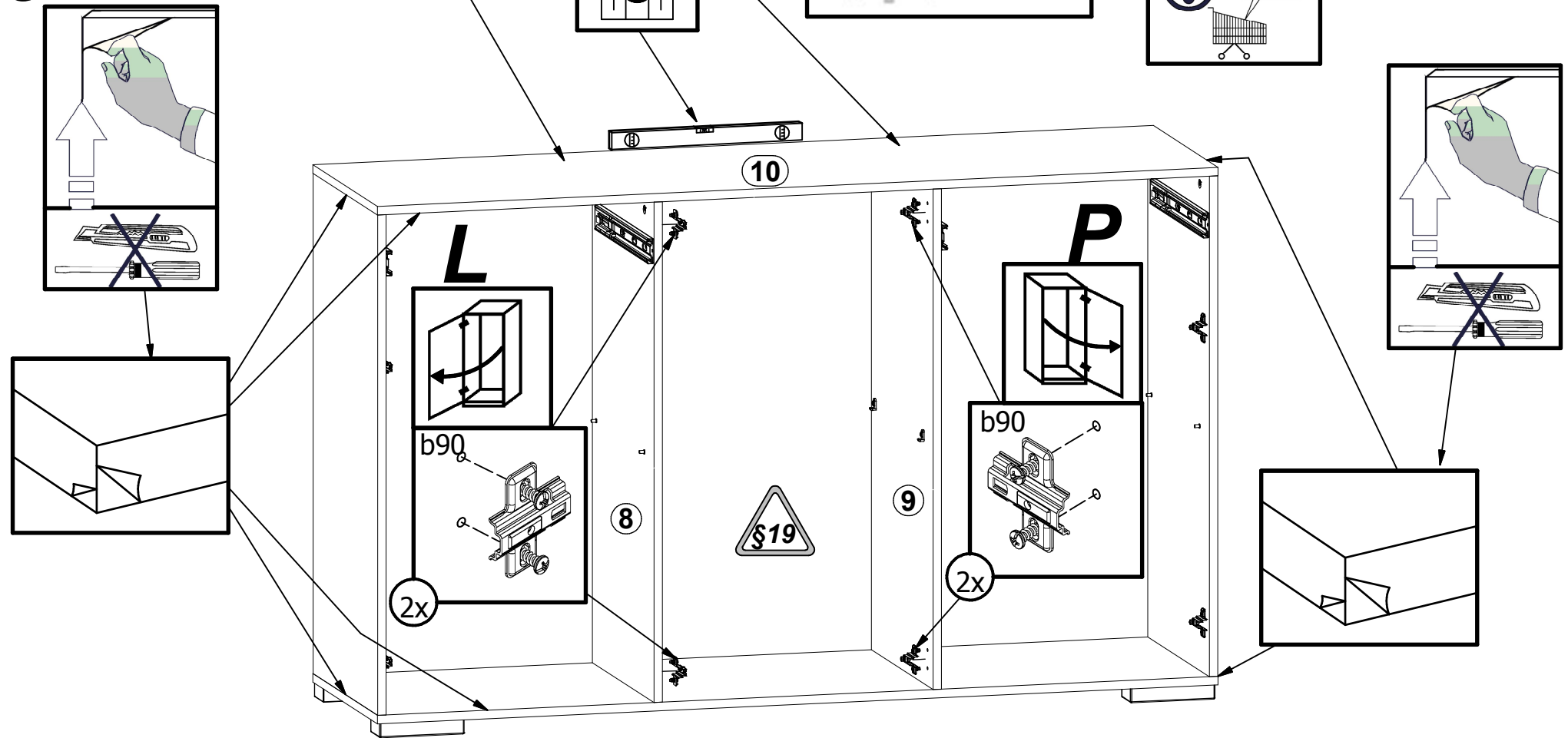
7



Parts list:
n142 (L-shaped bracket)
Ø10mm (drill bit)
f35 (screw)
n142 (L-shaped bracket)
p17 (screw)
2x Ø10x50 mm f35
2x Ø8x21x15/1.5 n142
2x Ø5x60 mm p17
4x Ø3.5x16 mm p38

Safety icons:
§4 (sharp edges)
Warning: falling object
Warning: eye injury
Warning: hand injury
Warning: do not use power tools

8



9

