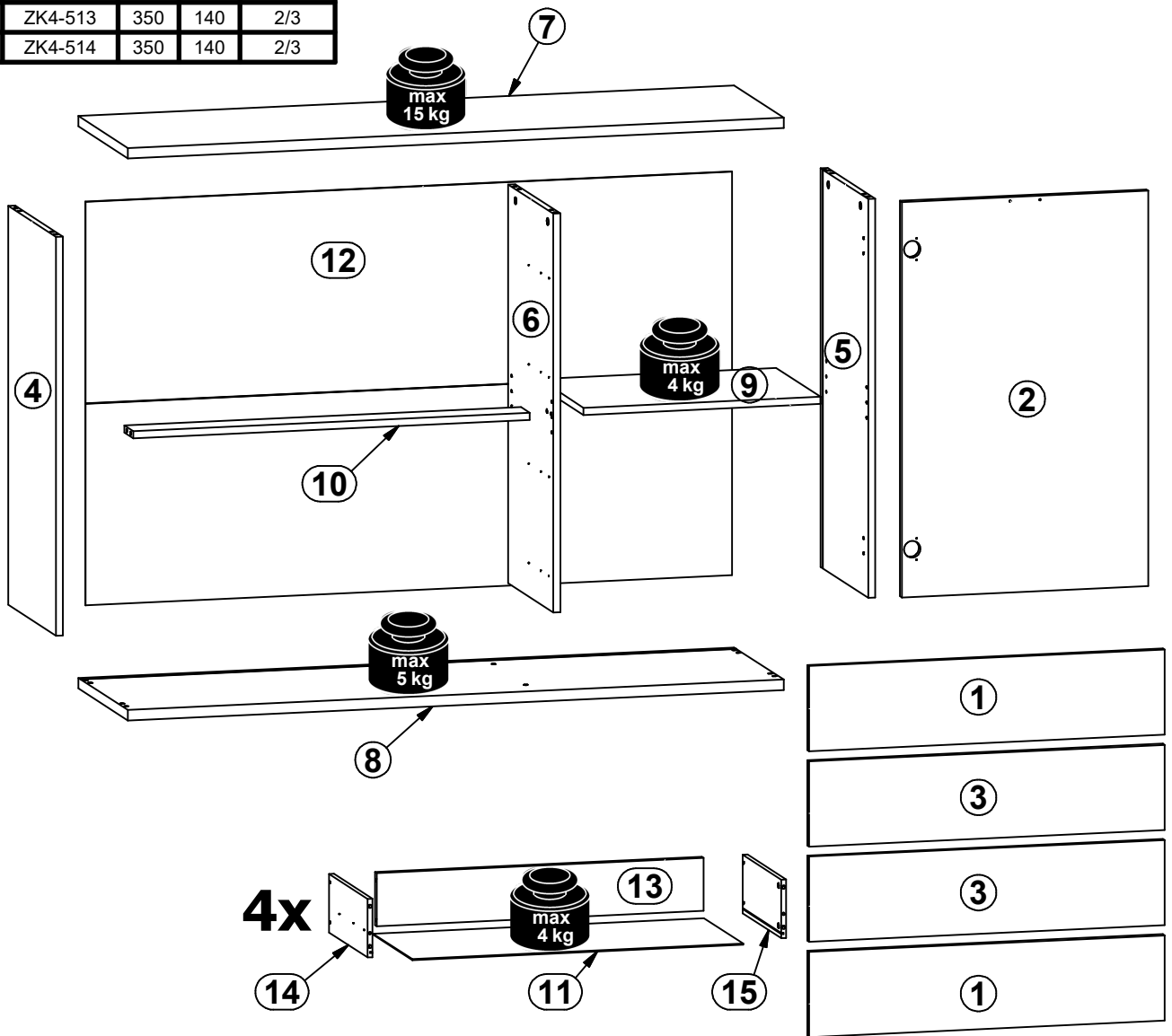
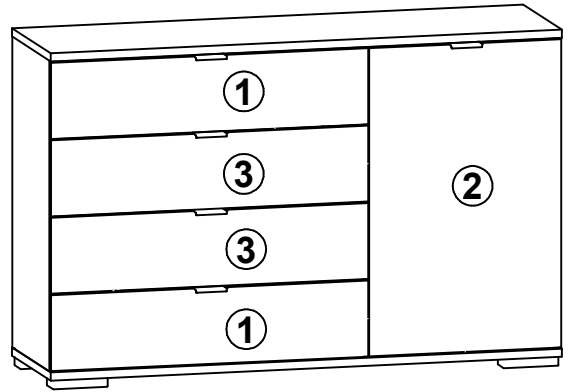
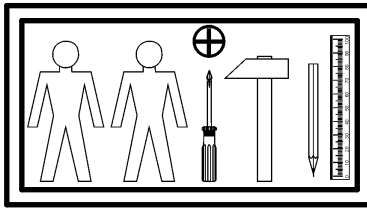
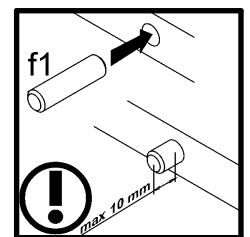
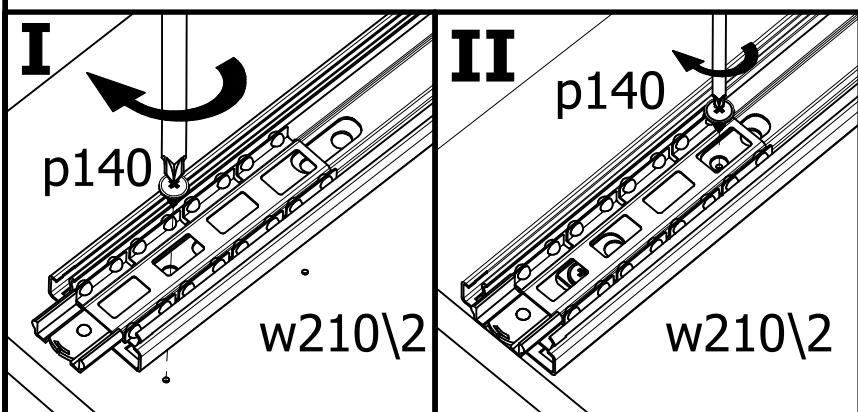
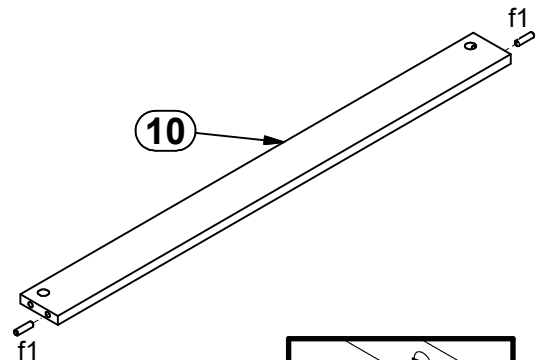
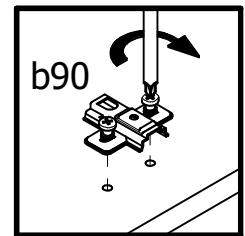
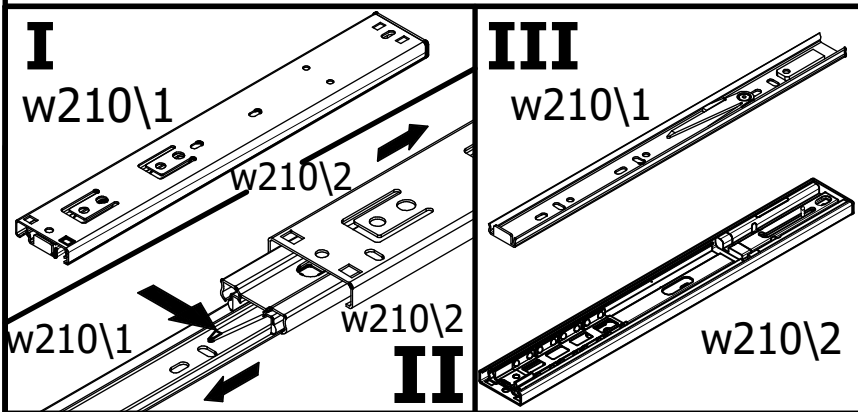
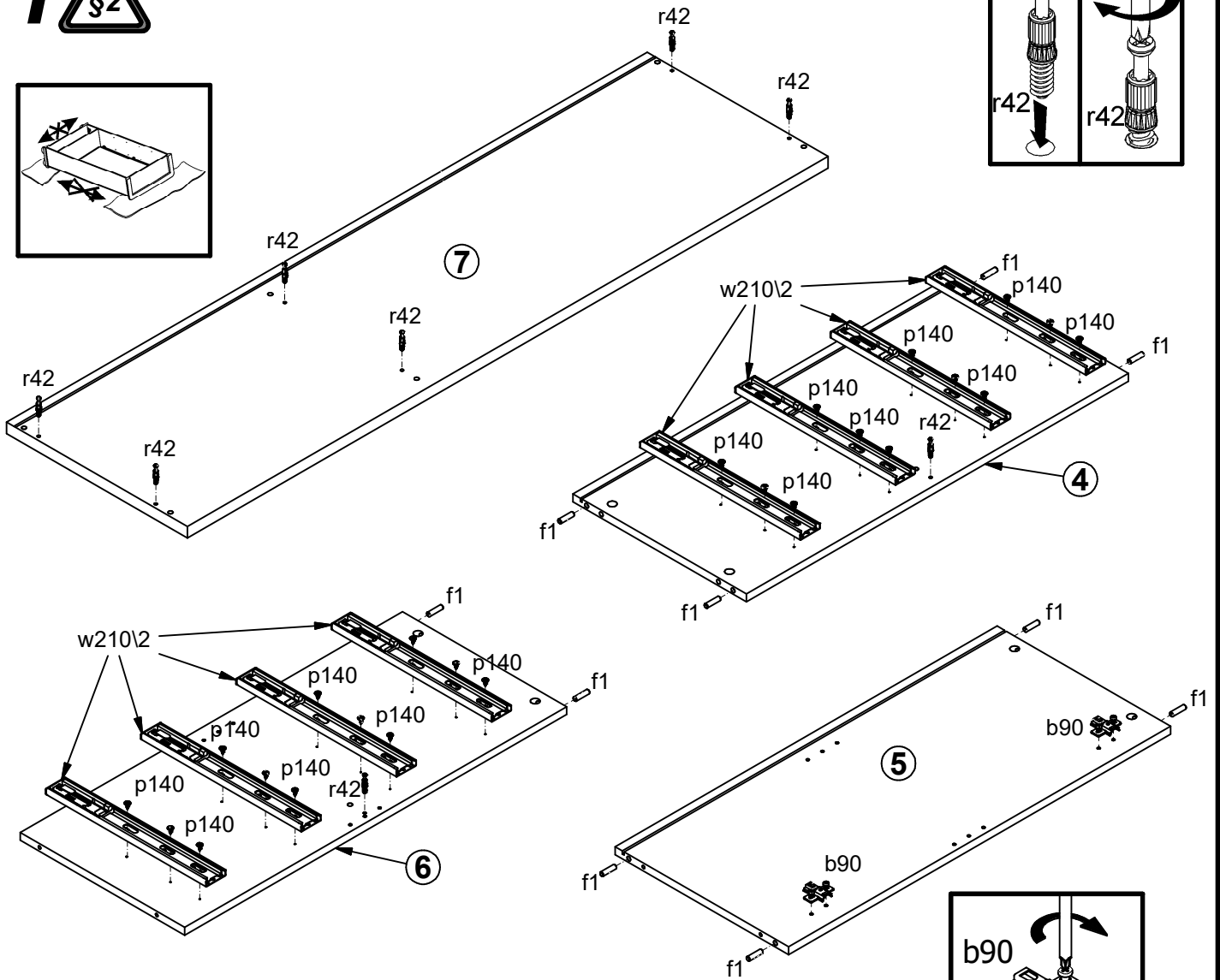
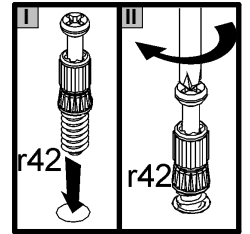
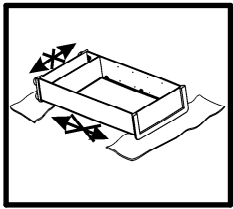


A	B	C	D	
1	L112-0002	868	204	3/3
2	L112-0003	526	828	3/3
3	L112-0004	868	204	3/3
4	L112-1004	835	379	1/3
5	L112-1005	835	379	1/3
6	L112-1006	835	359	1/3
7	L112-2003	1400	395	2/3
8	L112-2004	1400	395	2/3
9	L112-3002	506	355	2/3
10	L112-4002	847	70	3/3
11	L112-9002	807	357	1/3
12	L112-9301	1380	845	2/3
13	ZK3-5023	797	127	1/3
14	ZK4-513	350	140	2/3
15	ZK4-514	350	140	2/3

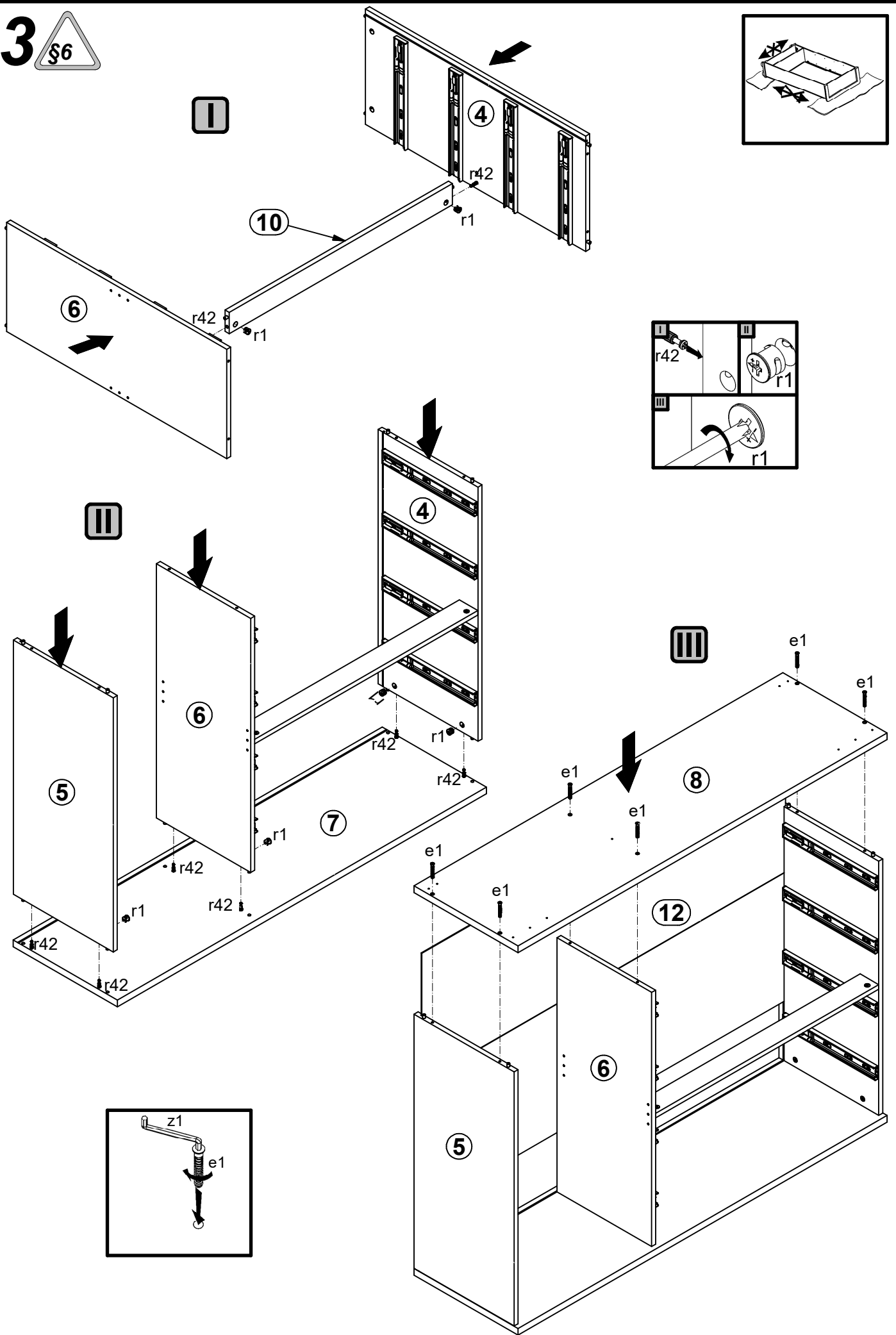


1x Ø35 hamulec a204	1x Ø35 a211	2x Ø2 b90	5x L=84mm c537/1	4x Ø5x17 mm d1	6x Ø7x50 mm e1	12x Ø8x30 mm f1	8x Ø6x30 mm f9	16x Ø6,5x40 mm f25
1x Ø50x25 mm k53	2x 151x61x25 mm k54	2x 60x60x25 mm k55/1	10x l2	10x Ø3,5x13 mm p1	10x Ø4x30 mm p21	4x Ø3,5x16 mm p25	4x Ø3,5x10 mm p35	1x Ø4x25 mm p36
24x Ø3,5x16 mm p38	4x Ø3,5x15 mm p51	4x Ø2,9x16 mm p55	48x Ø3,5x12 mm p140	8x Ø15x12 mm #16 r1	16x Ø12x10,5 mm #12 r15	24x 20/11 r42	8x L-350 mm w210/1	8x L-350 mm w210/2
4x 350 mm t35	2x Ø 20mm s68	1x 4 mm z1					1x n26	1x Ø3,5x16 mm p38

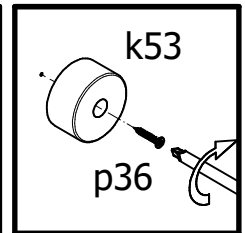
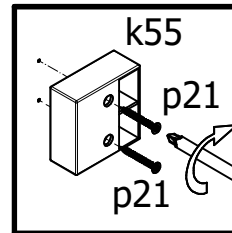
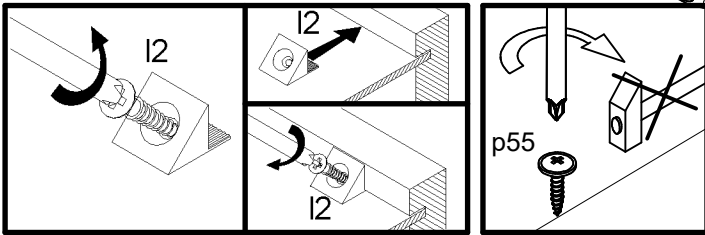
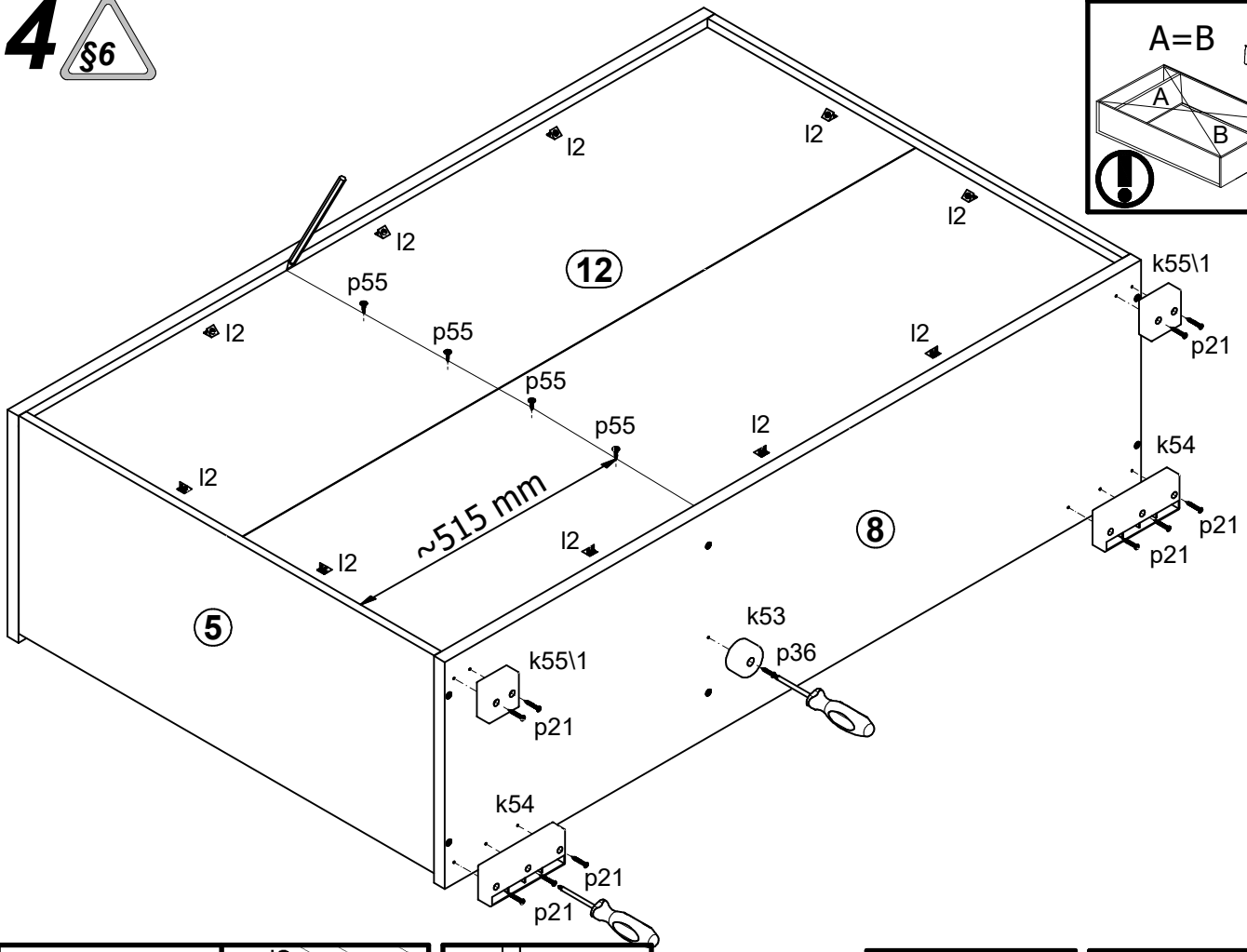
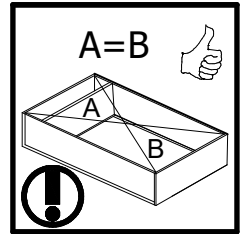
1 



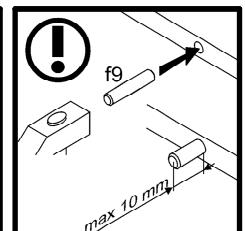
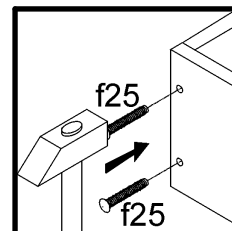
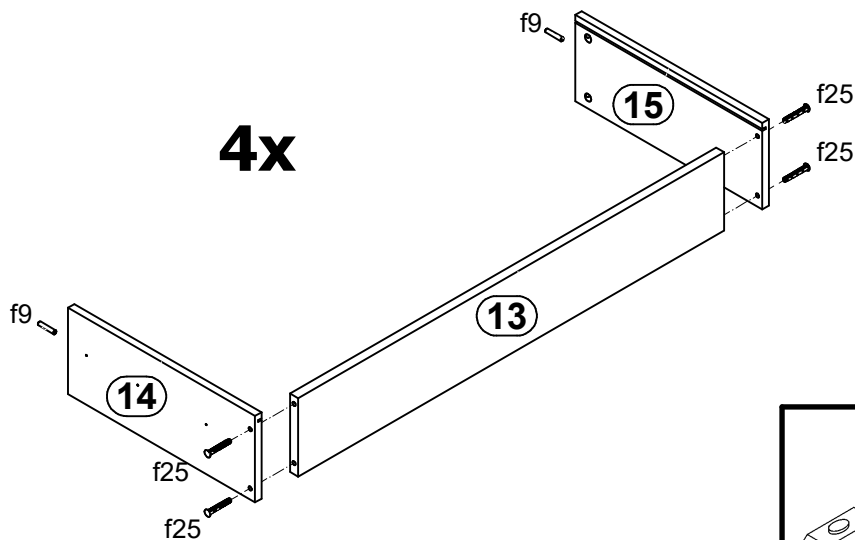
3



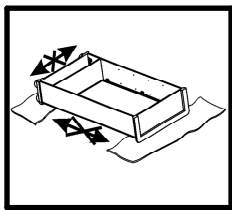
4 §6



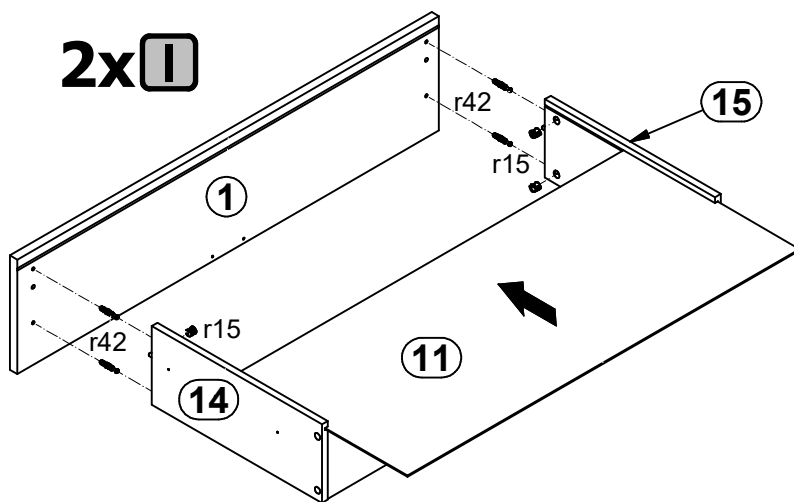
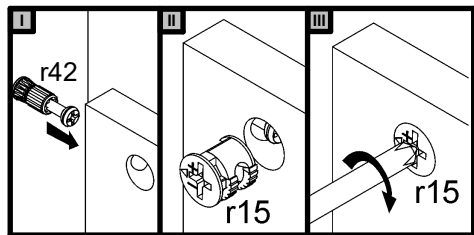
5 §2 §6



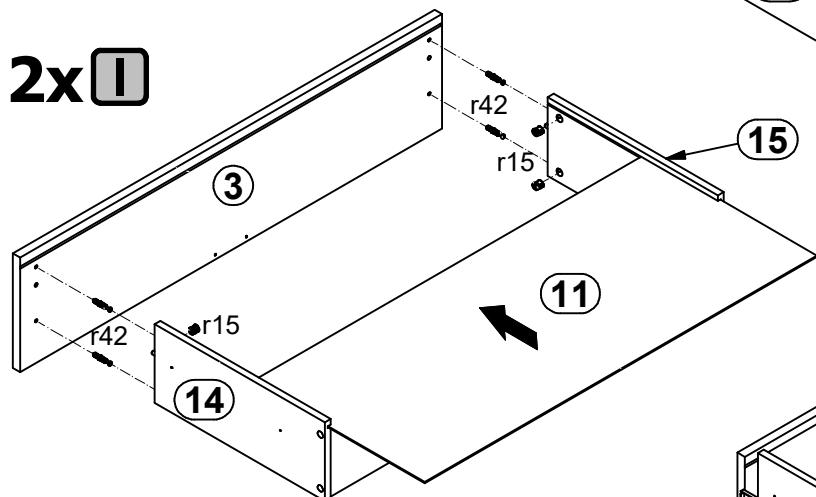
6 §2 §6



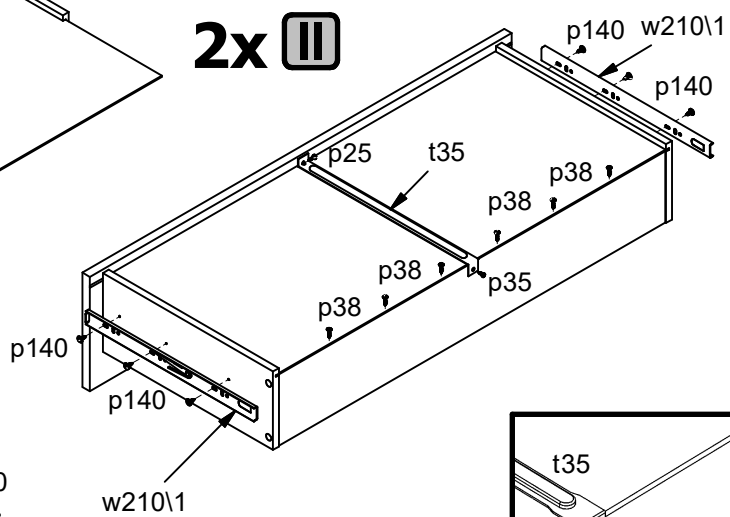
2x I



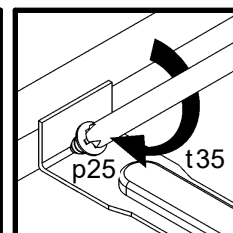
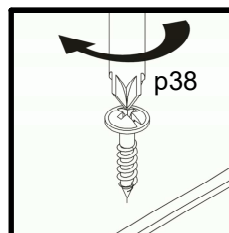
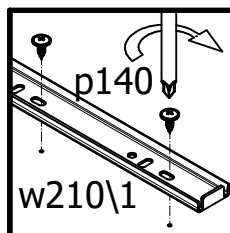
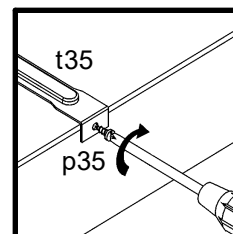
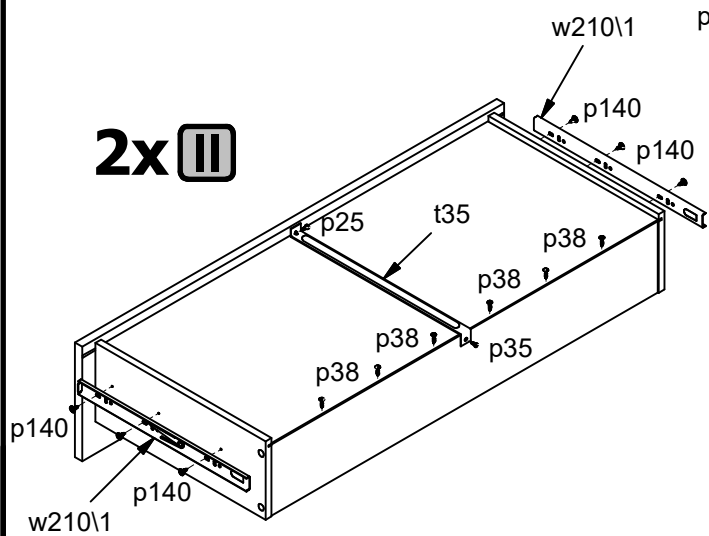
2x I



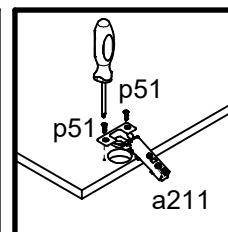
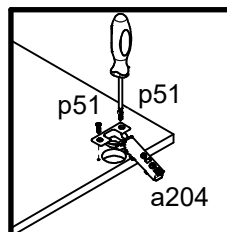
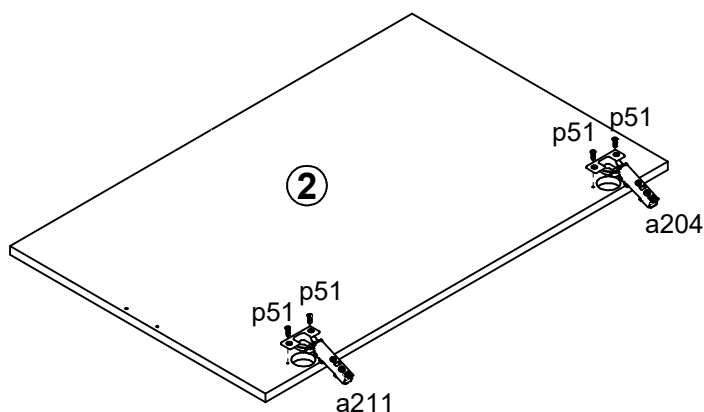
2x II



2x II



7 §2



8 §6

