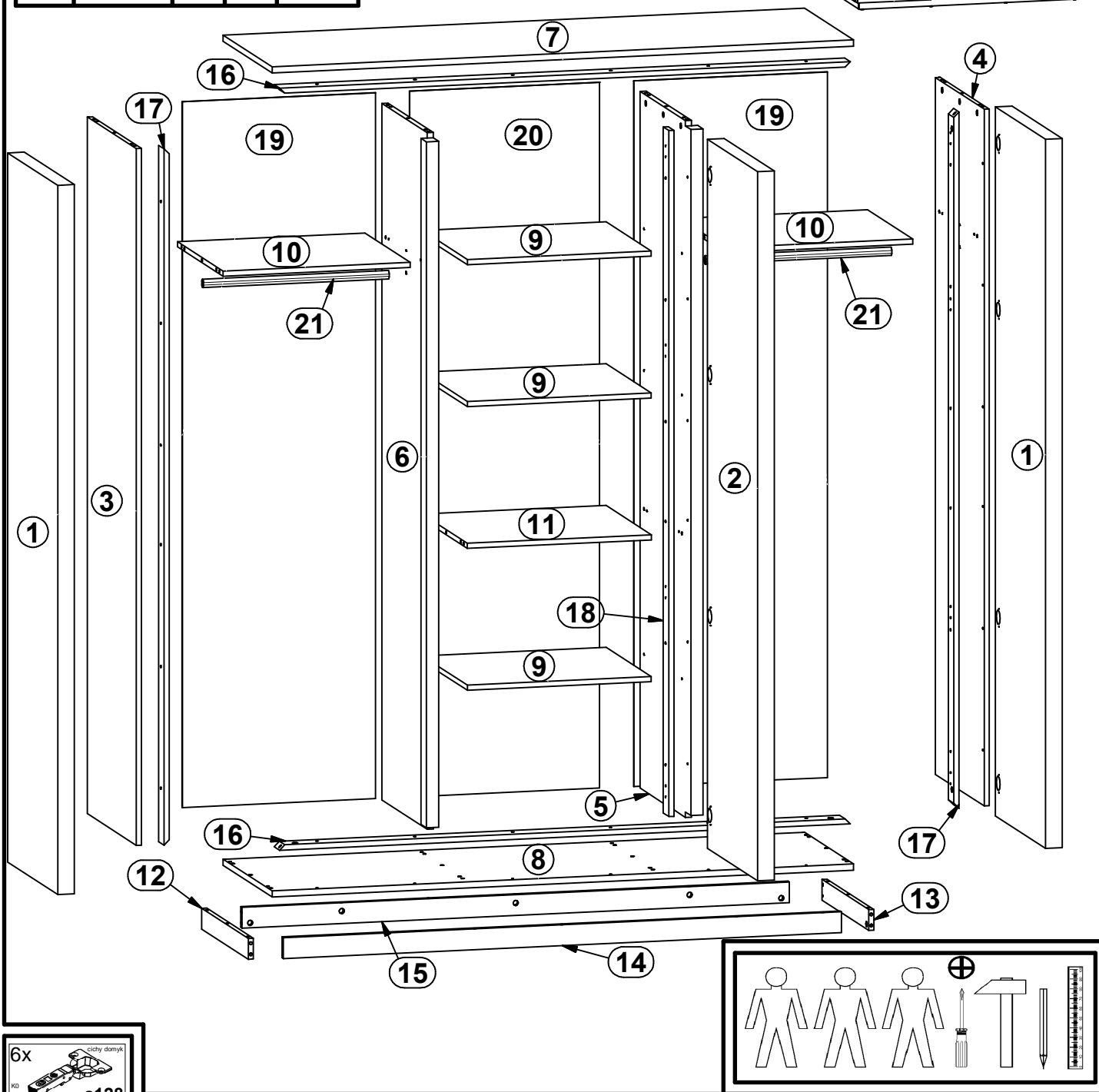
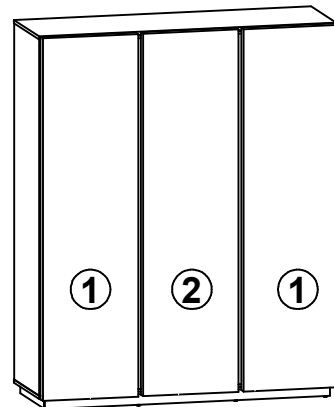
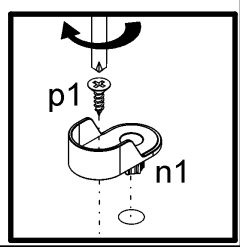
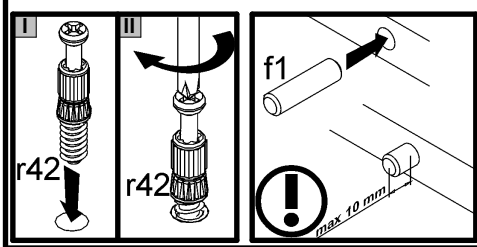
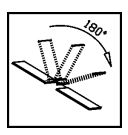
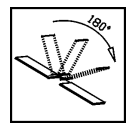
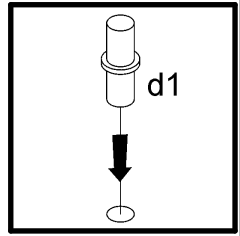
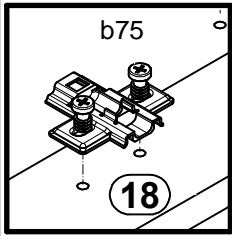
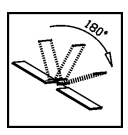
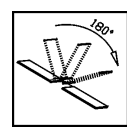
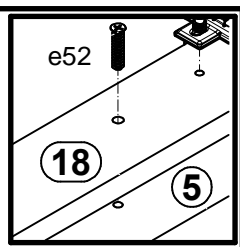
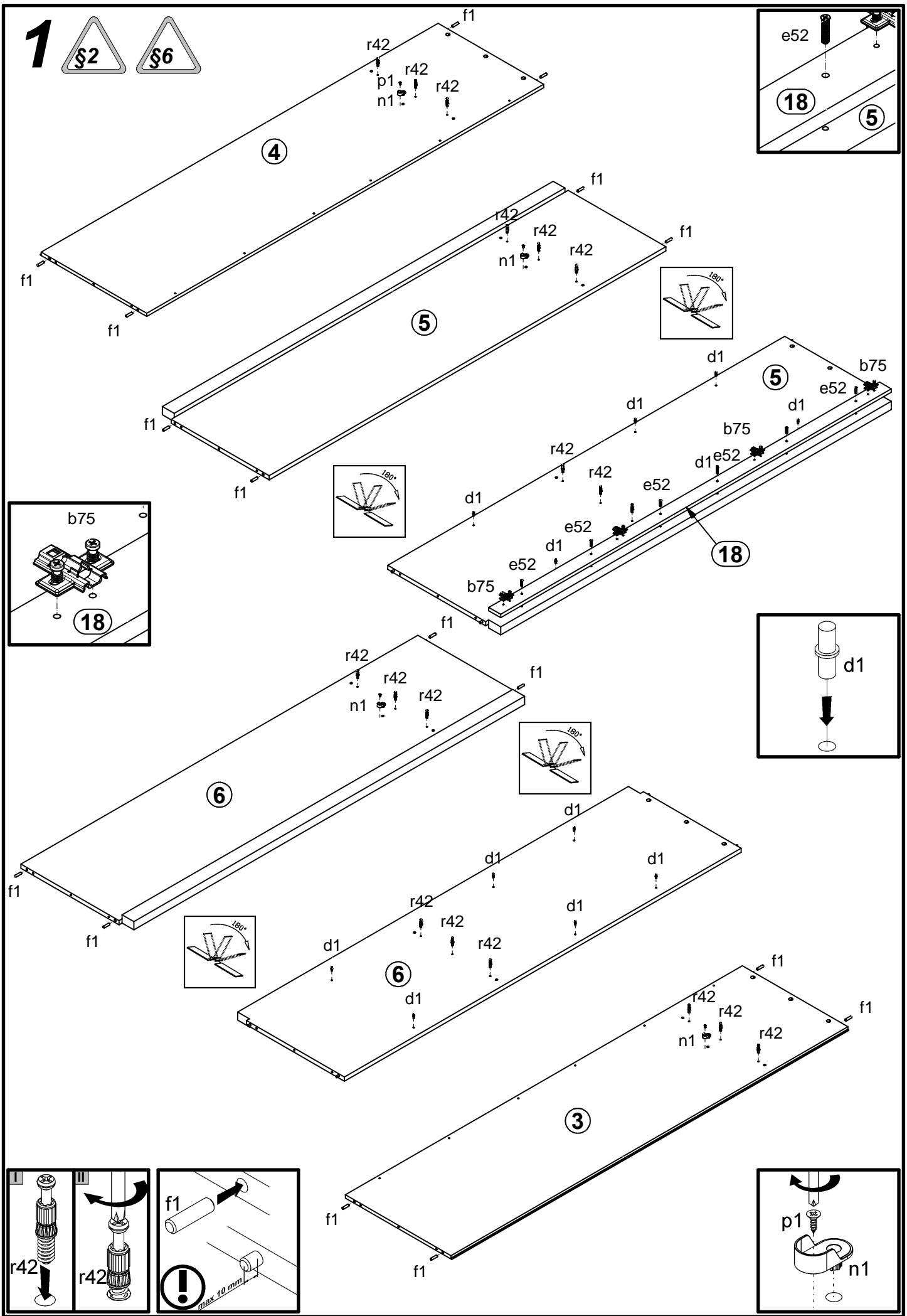


A	B	C	D	A	B	C	D		
1	S317-016	2050	550	5/5	12	S317-421	513	60	3/5
2	S317-017	2050	550	5/5	13	S317-422	513	60	3/5
3	S317-120	2014	540	2/5	14	S317-458	1642	60	3/5
4	S317-121	2014	540	2/5	15	S317-459	1611	60	3/5
5	S317-122	2014	557	1/5	16	S317-460	1679	60	4/5
6	S317-123	2014	557	1/5	17	S317-461	2013	60	4/5
7	S317-215	1711	540	3/5	18	S317-463	1983	60	4/5
8	S317-216	1711	540	3/5	19	S317-917	2040	569	1/5
9	S317-311	541	496	3/5	20	S317-918	2040	559	1/5
10	S317-312	551	497	3/5	21	dr-547	547	22	3/5
11	S317-313	542	497	3/5					

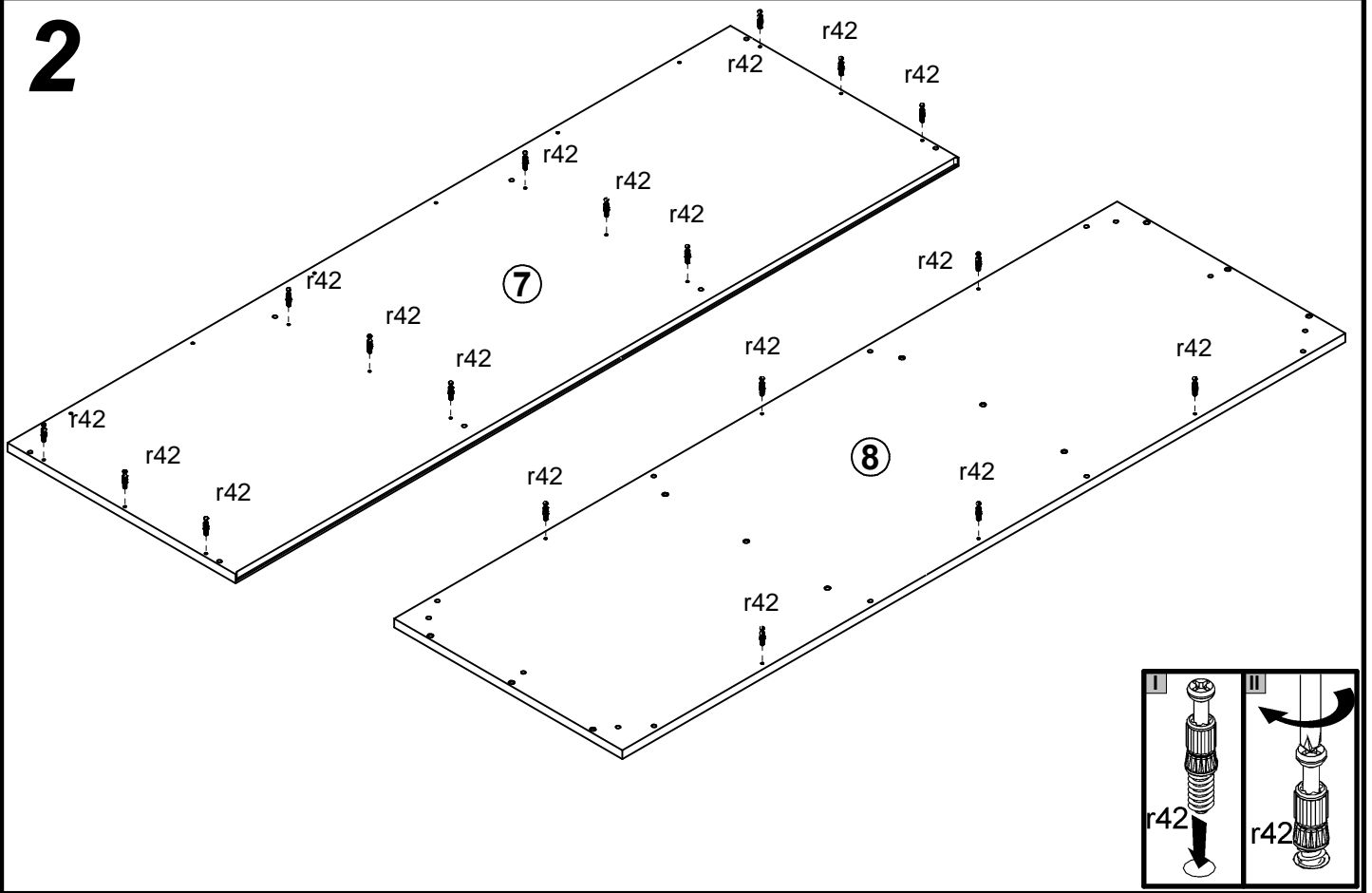


6x KO Ø40 a128	12x HO b75	12x Ø5x17 mm d1	12x Ø7x50 mm e1	30x Ø6.3x26 mm e52	46x Ø8x30 mm f1	8x k1	180x l1	4x h=22mm n1
4x Ø3.5x13 mm p1	24x Ø3.5x15 mm p51	48x Ø15x12 mm #16 r1	4x 39/39 r38	40x 20/11 r42	34x Ø16 s2	1x z1		

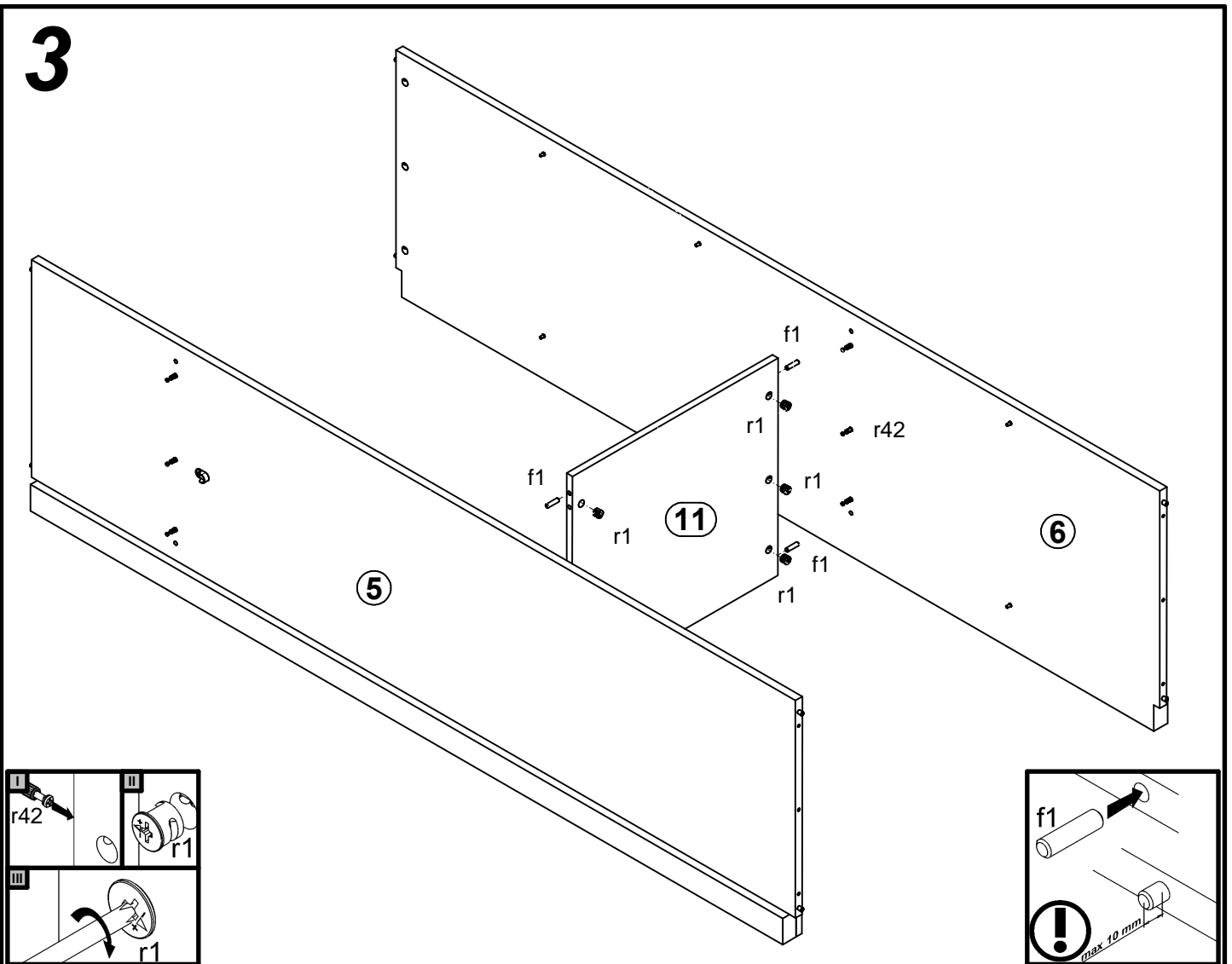
1 §2 §6



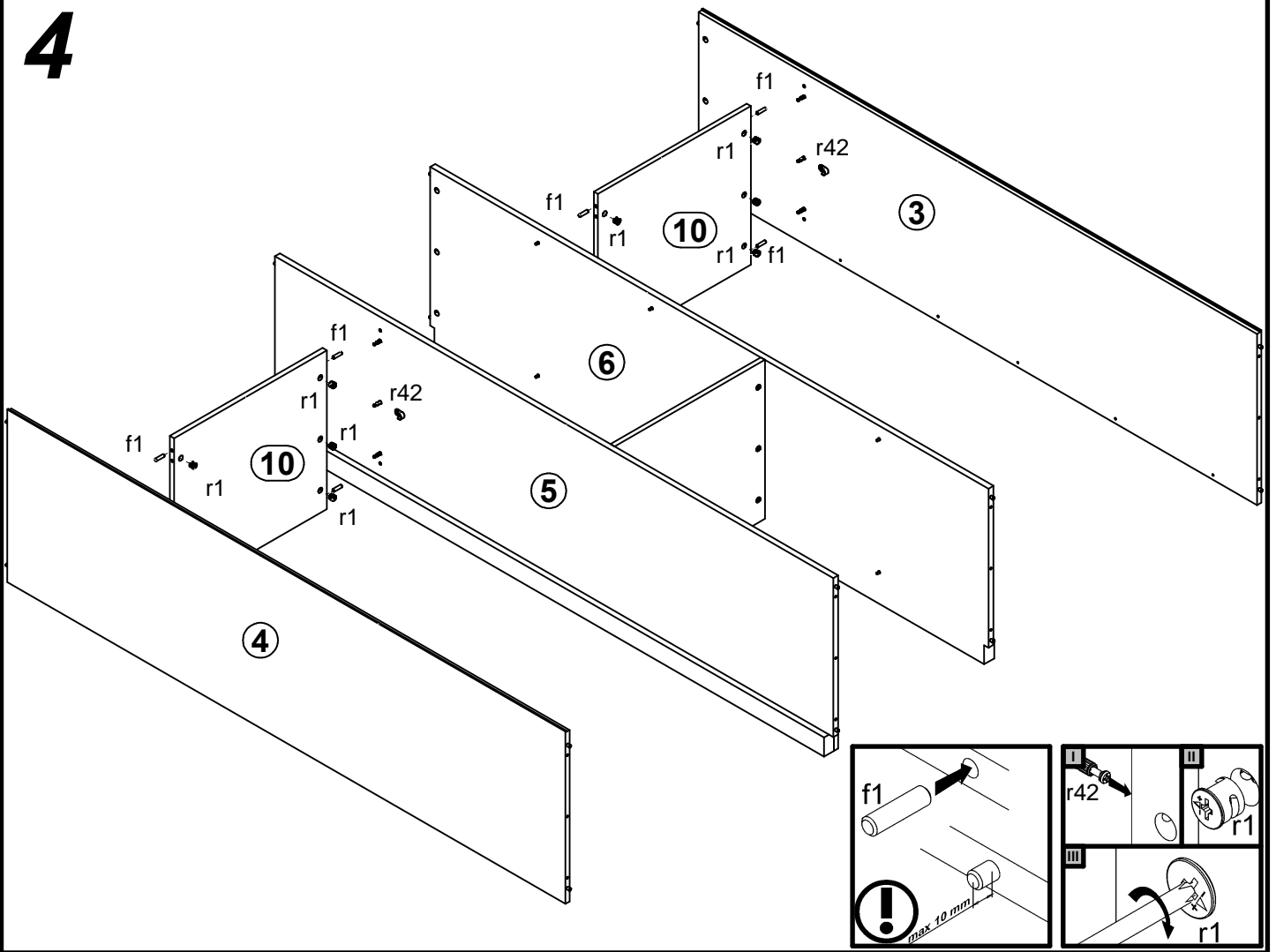
2



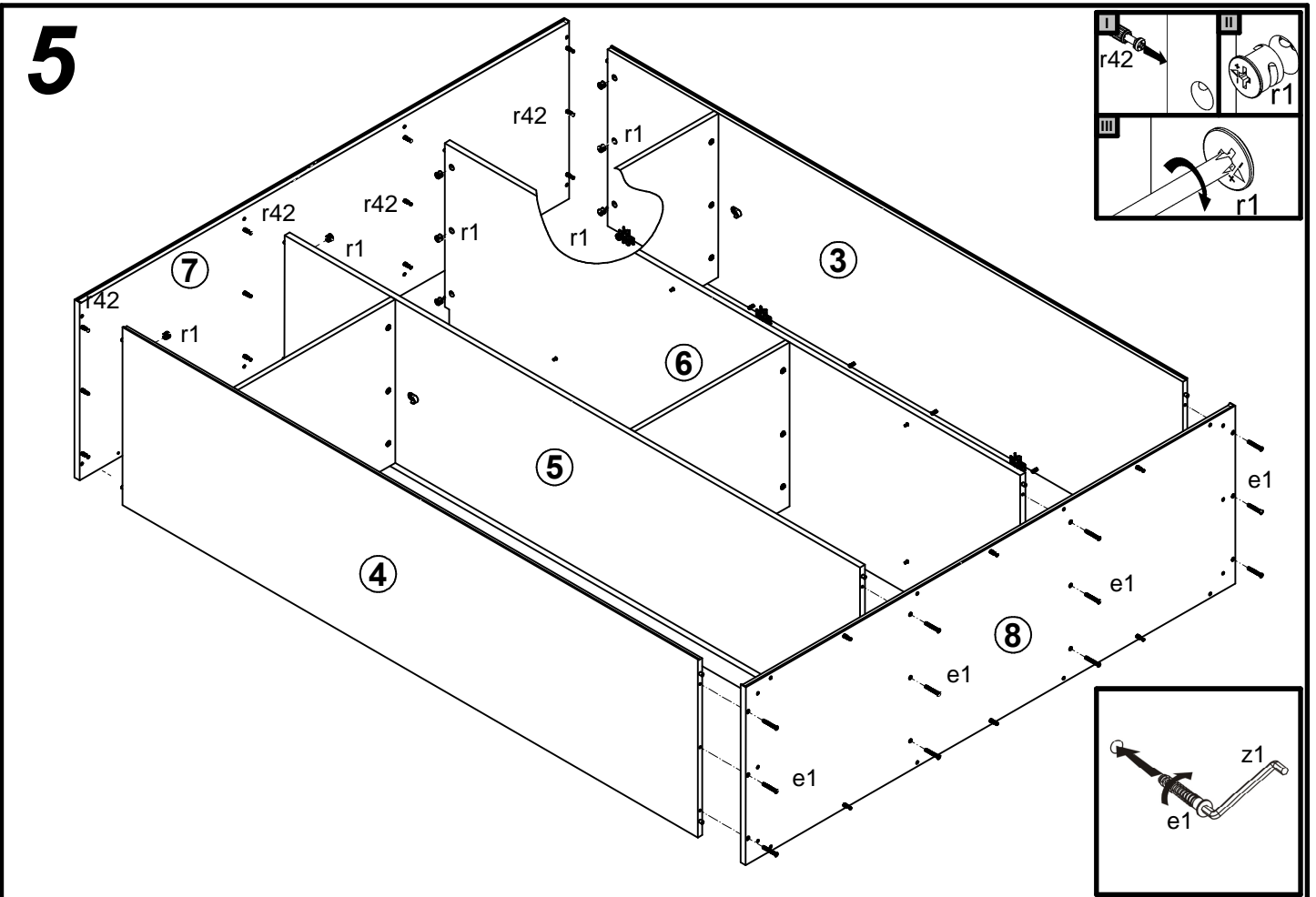
3



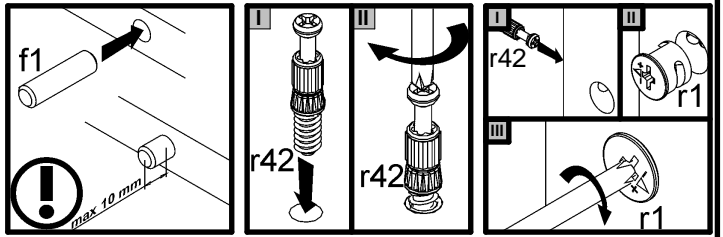
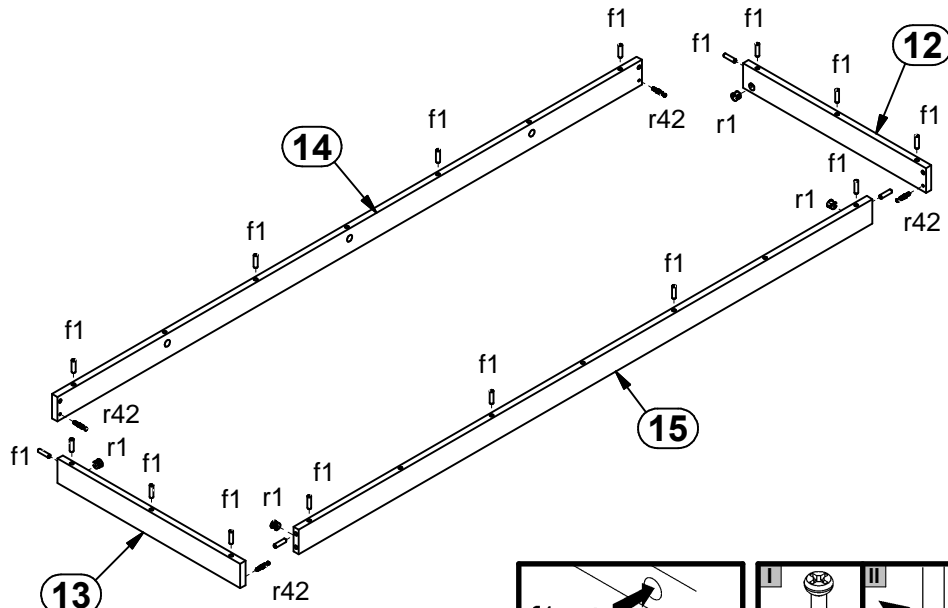
4



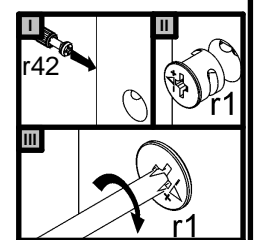
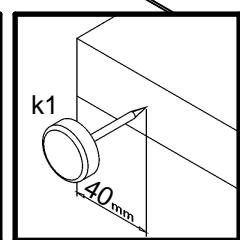
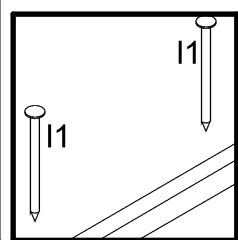
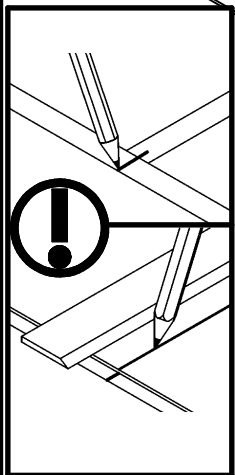
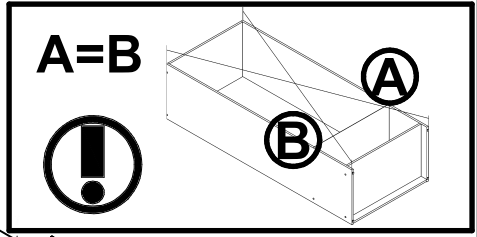
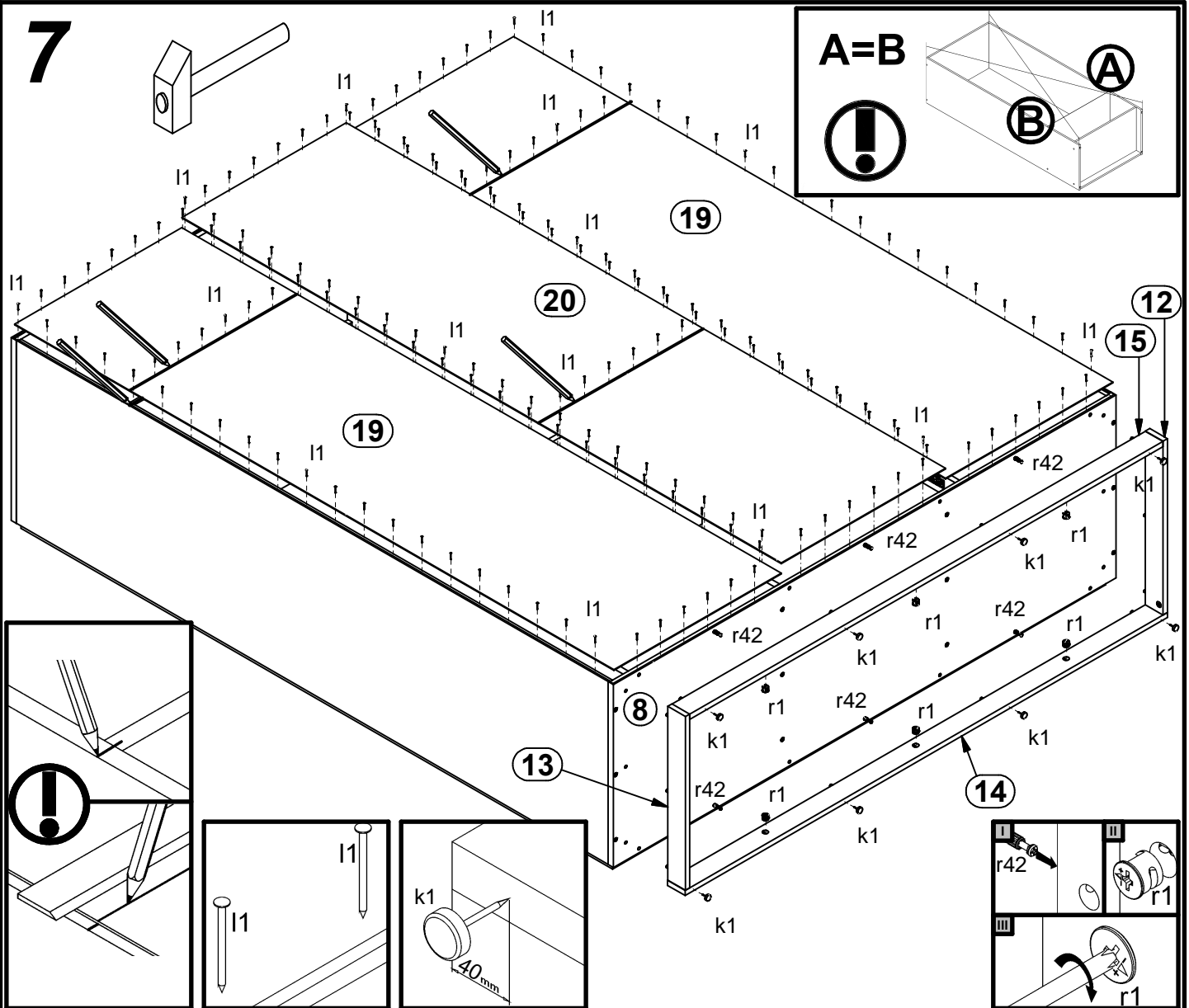
5



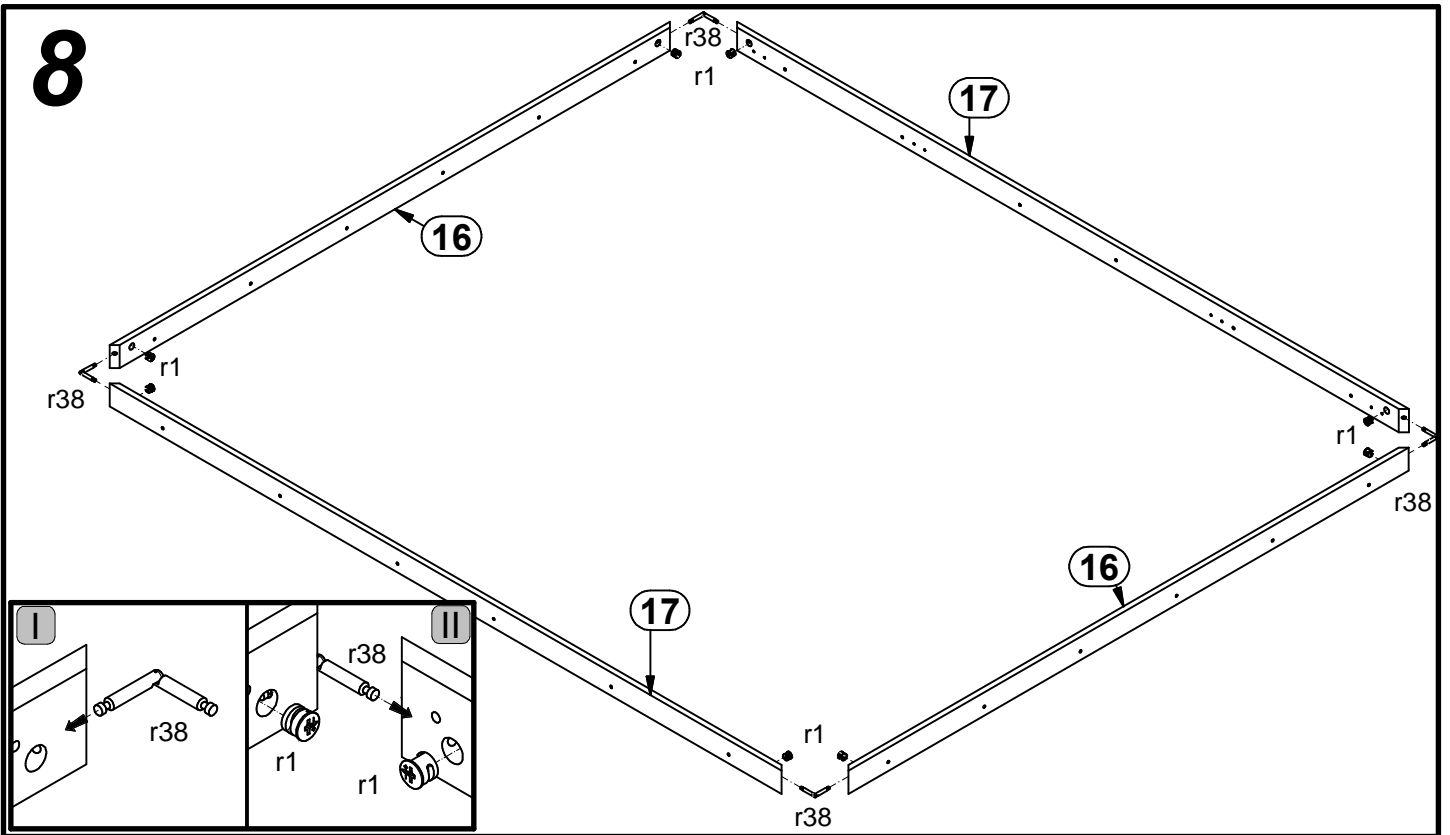
6



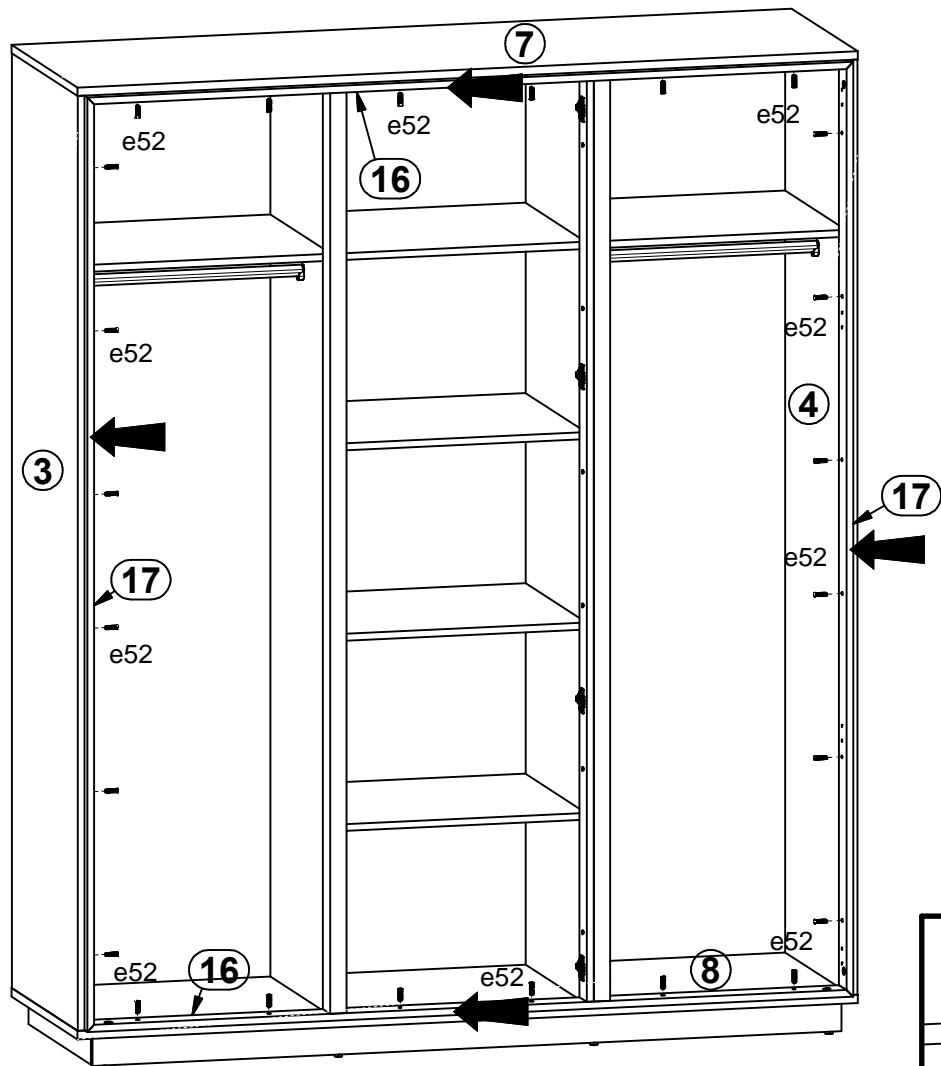
7



8



9



10

