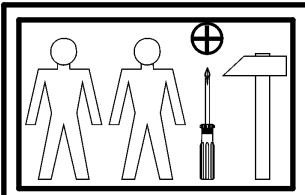
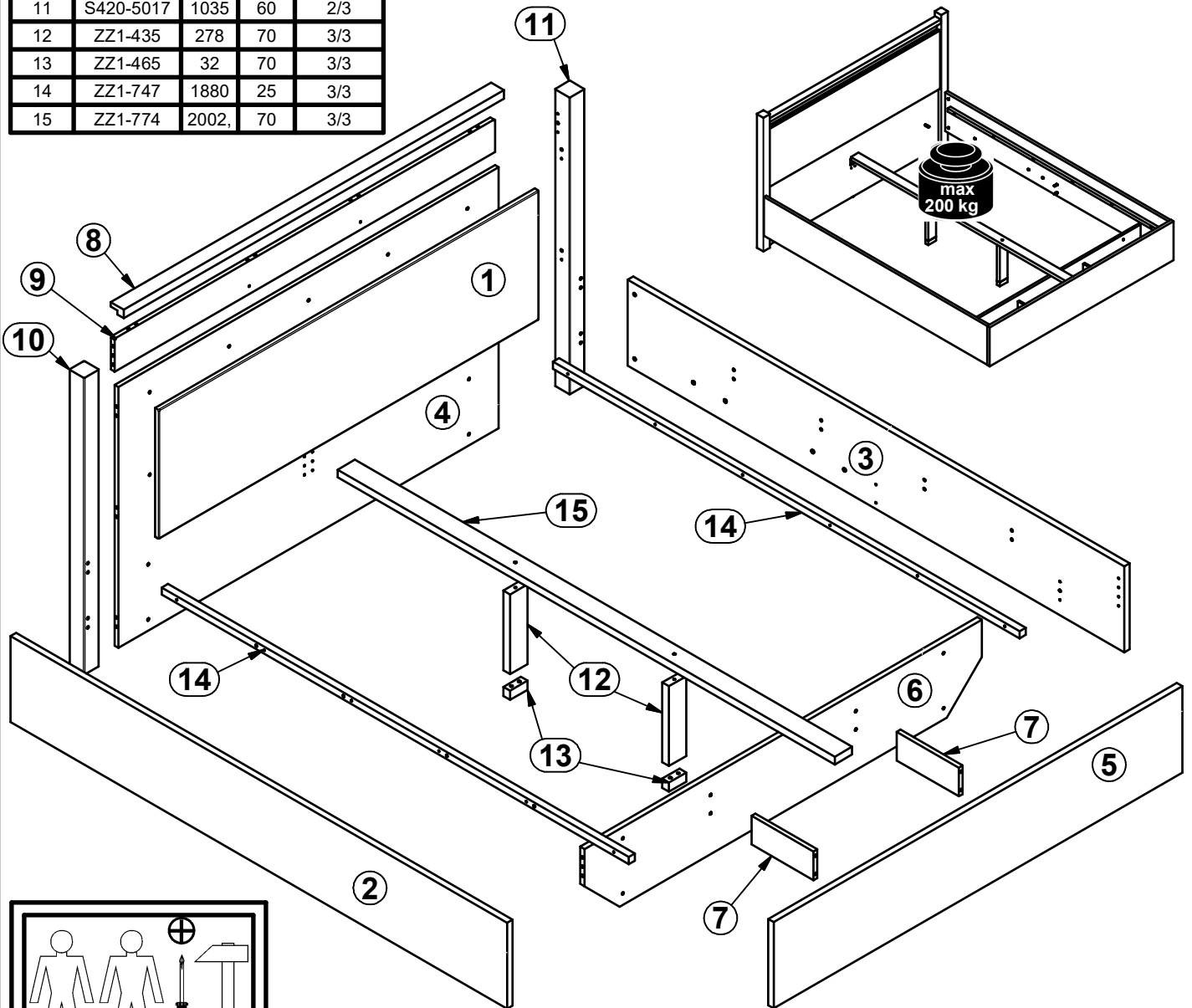
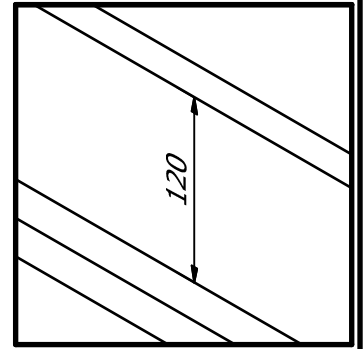
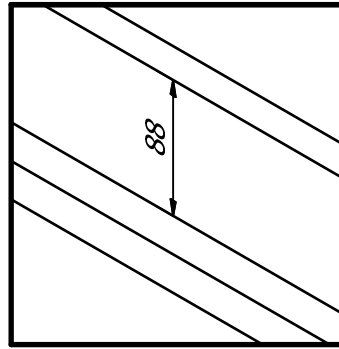


**A**

# ALAMEDA

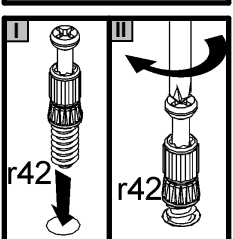
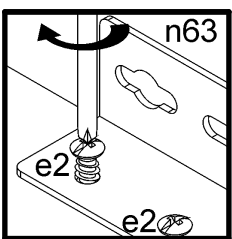
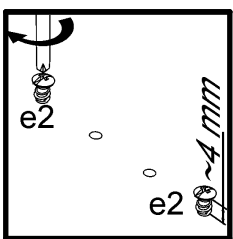
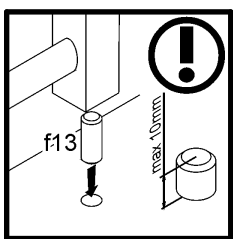
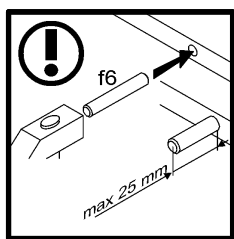
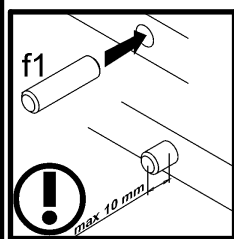
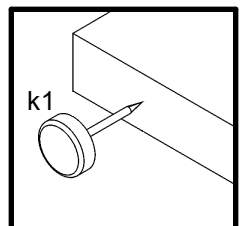
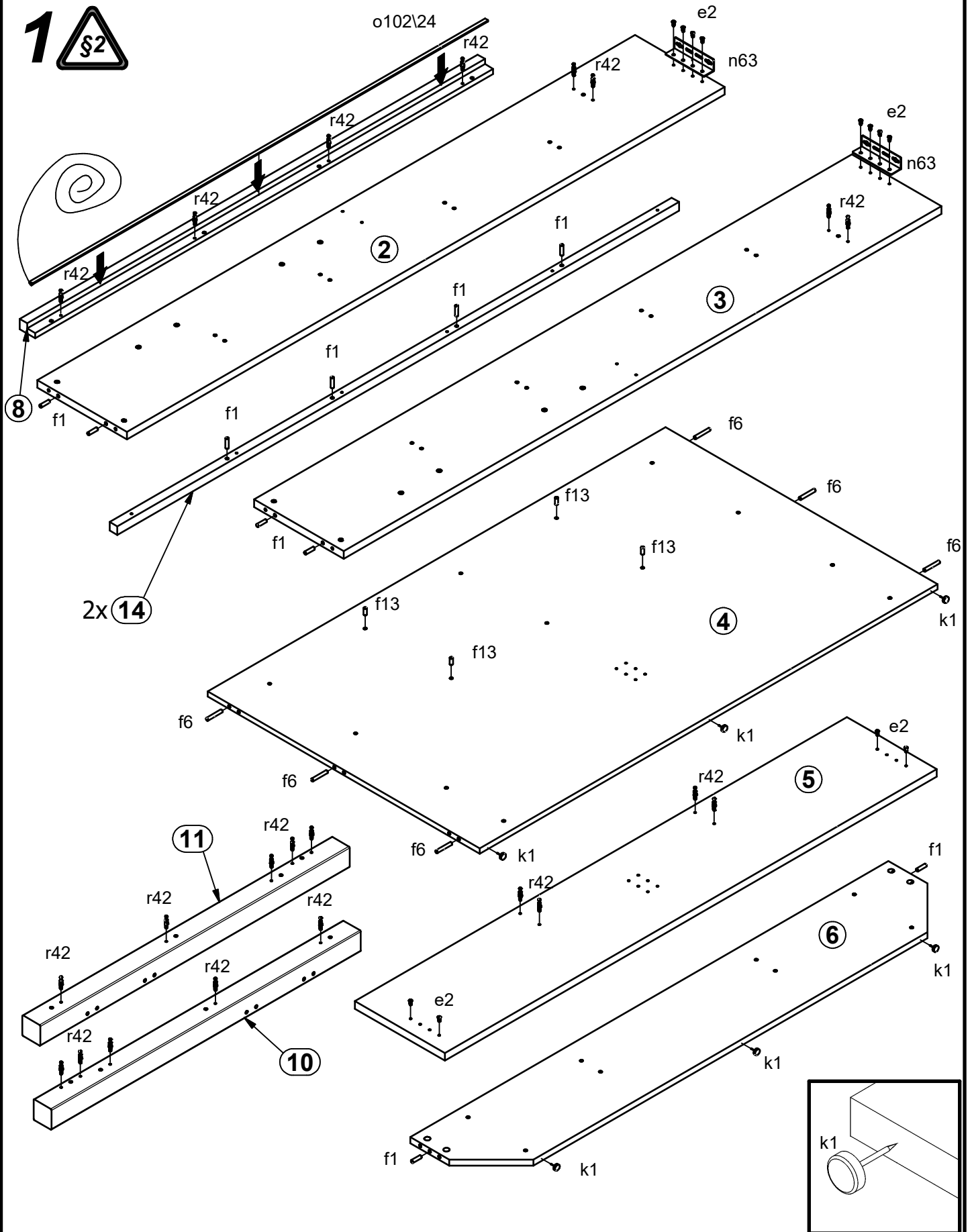
**S420-LOZ/160/A**

A	B	C	D
1	S420-0029	1531	450
2	S420-1030	2000	300
3	S420-1031	2000	300
4	S420-4050	1532	910
5	S420-4051	1646	301
6	S420-4052	1600	271
7	S420-4053	250	100
8	S420-4054	1532	52
9	S420-4057	1532	115
10	S420-5016	1035	60
11	S420-5017	1035	60
12	ZZ1-435	278	70
13	ZZ1-465	32	70
14	ZZ1-747	1880	25
15	ZZ1-774	2002	70

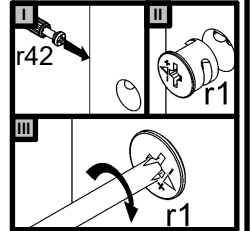
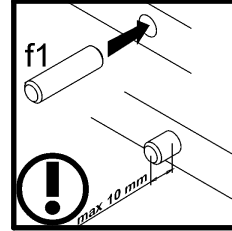
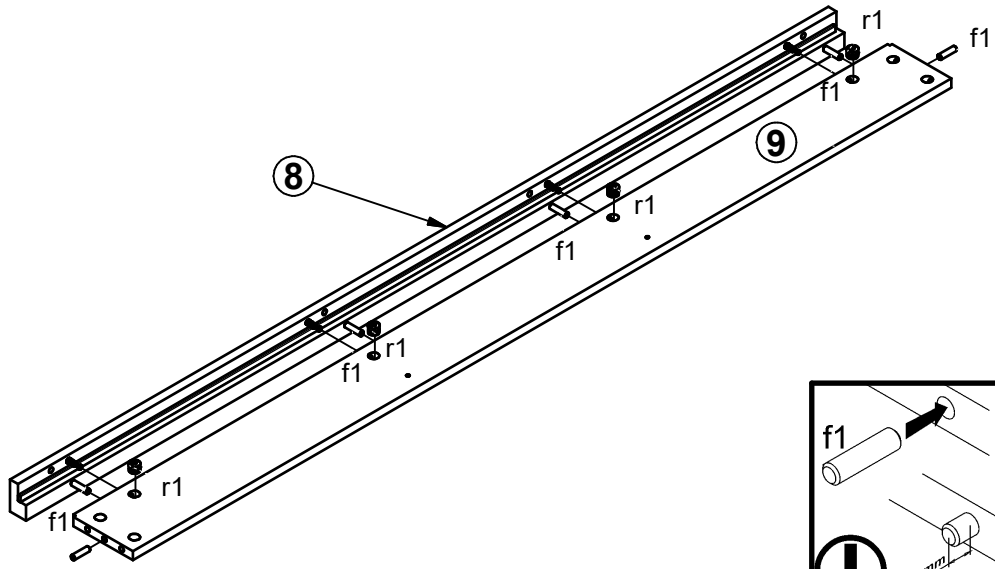


4x Ø7x50 mm e1	16x Ø6.3x13 mm e2	8x Ø6x13 mm e3	6x Ø7x24 mm e45	2x Ø7x60 mm e8	20x Ø8x30 mm f1	4x Ø8x20 mm f13	10x Ø8x50 mm f6	4x M6x99 mm j166
6x k1	2x 70x50x 492 mm n111	2x 130x34x34/2 mm n63	12x Ø4x40 mm p10	4x Ø3.5x25 mm p16	6x Ø4x35 mm p6	22x Ø15x12 mm #16 r1	22x 20/11 r42	4x Ø10x16 mm r43
2x Ø14x0.5 mm s59	1x 4 mm z1	2x Ø4x30 mm p9	1x o70\17	1x 5x10 mm L=1525 mm o102\24				

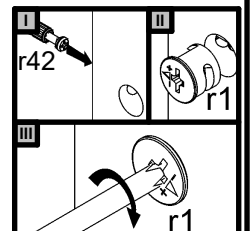
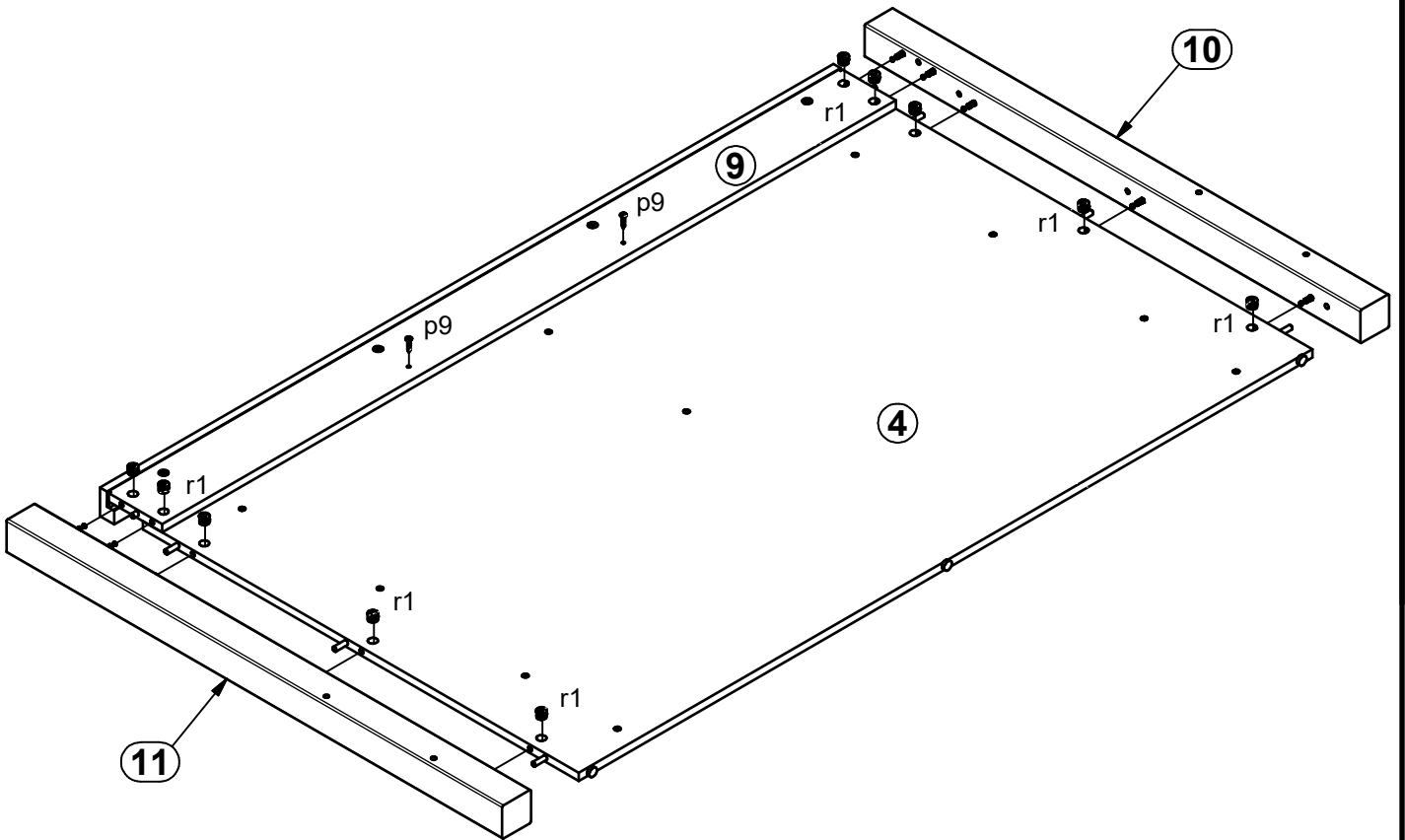
1 §2



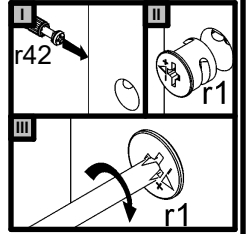
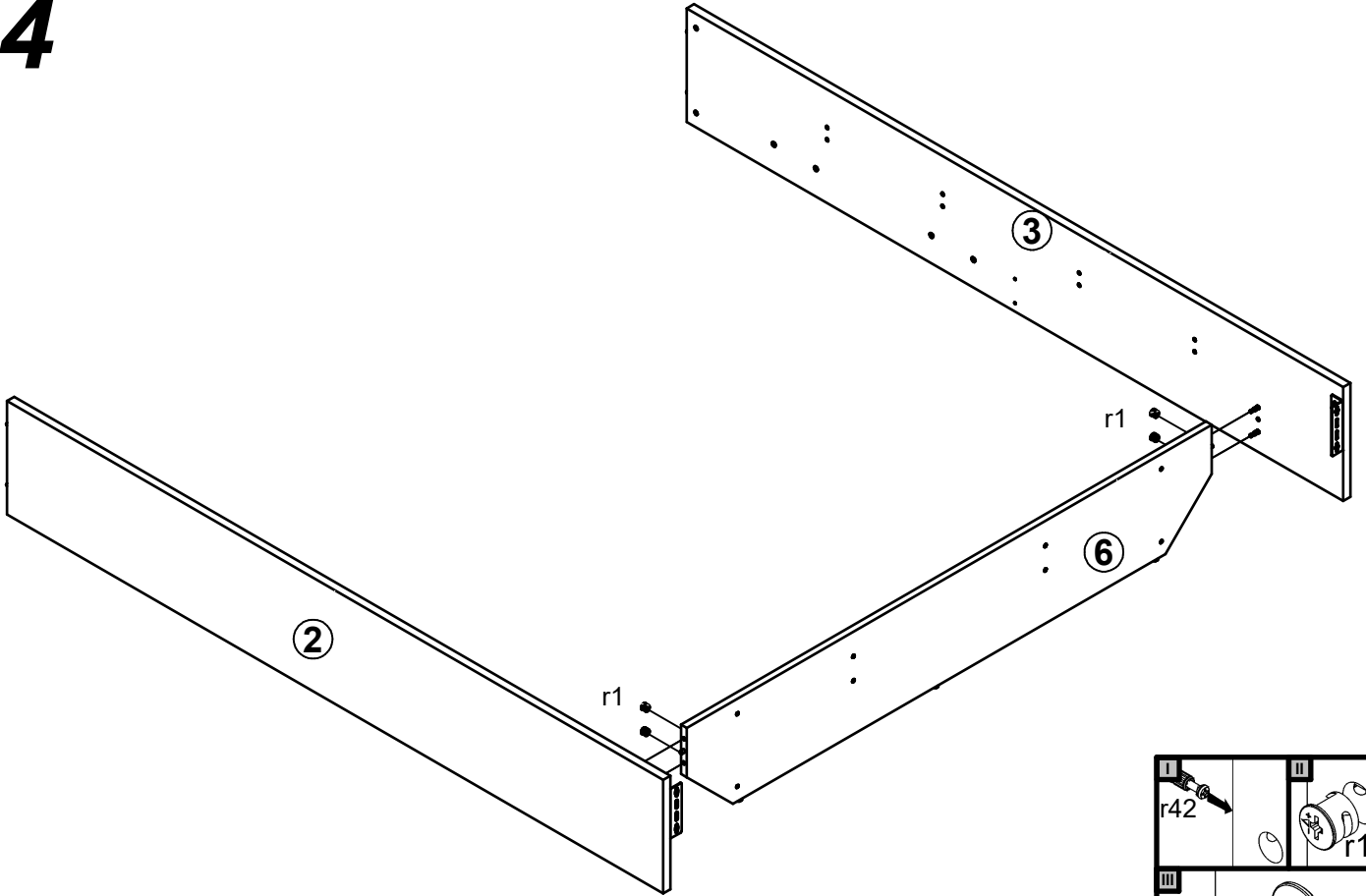
# 2



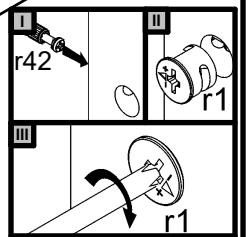
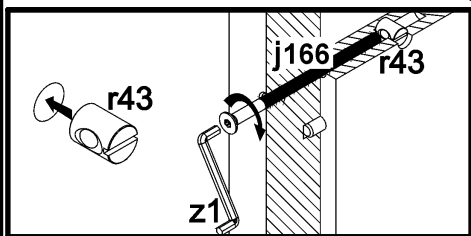
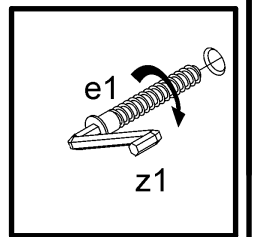
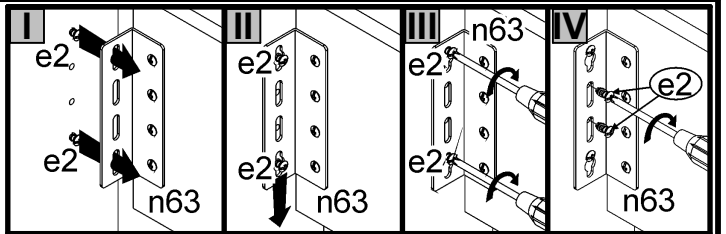
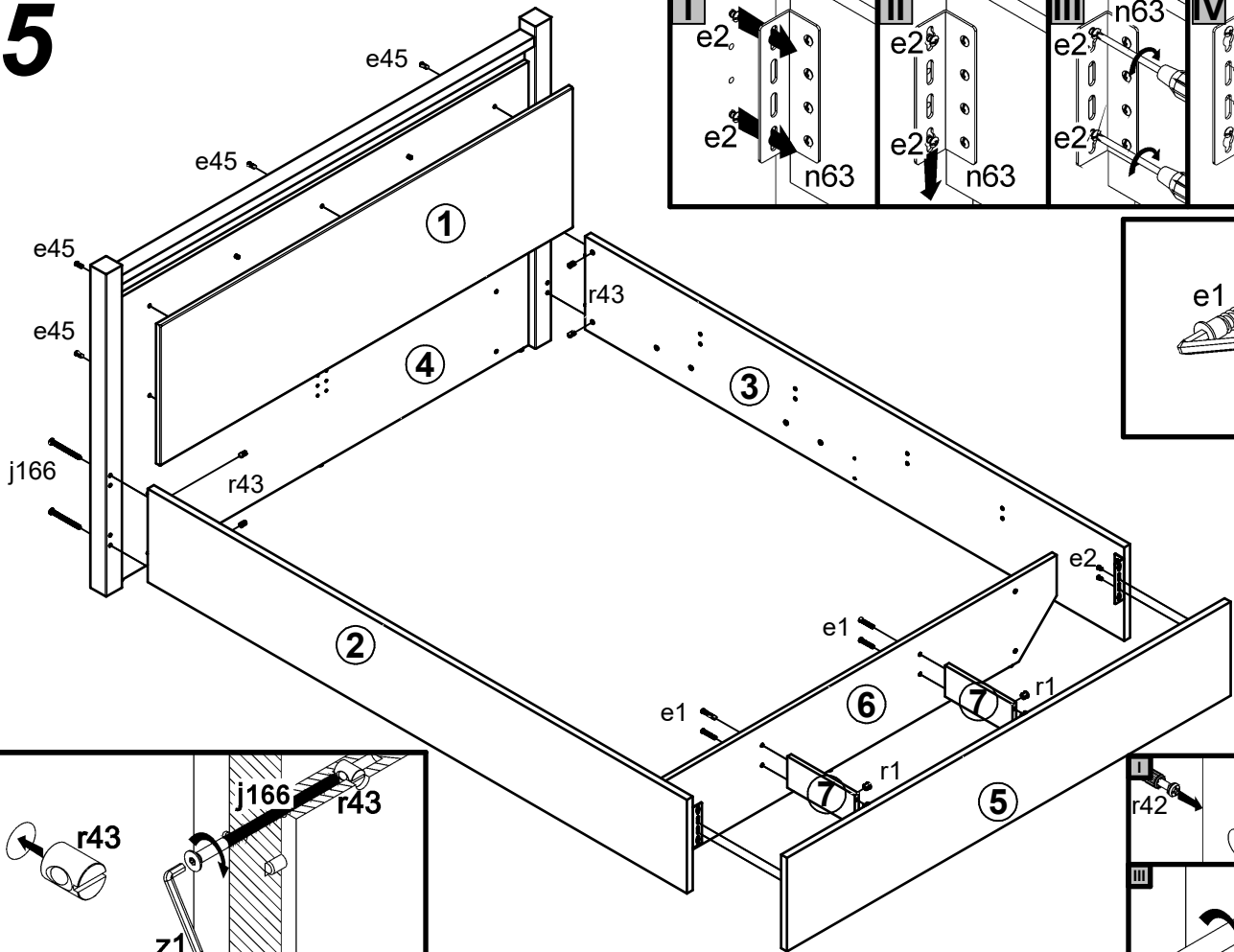
# 3



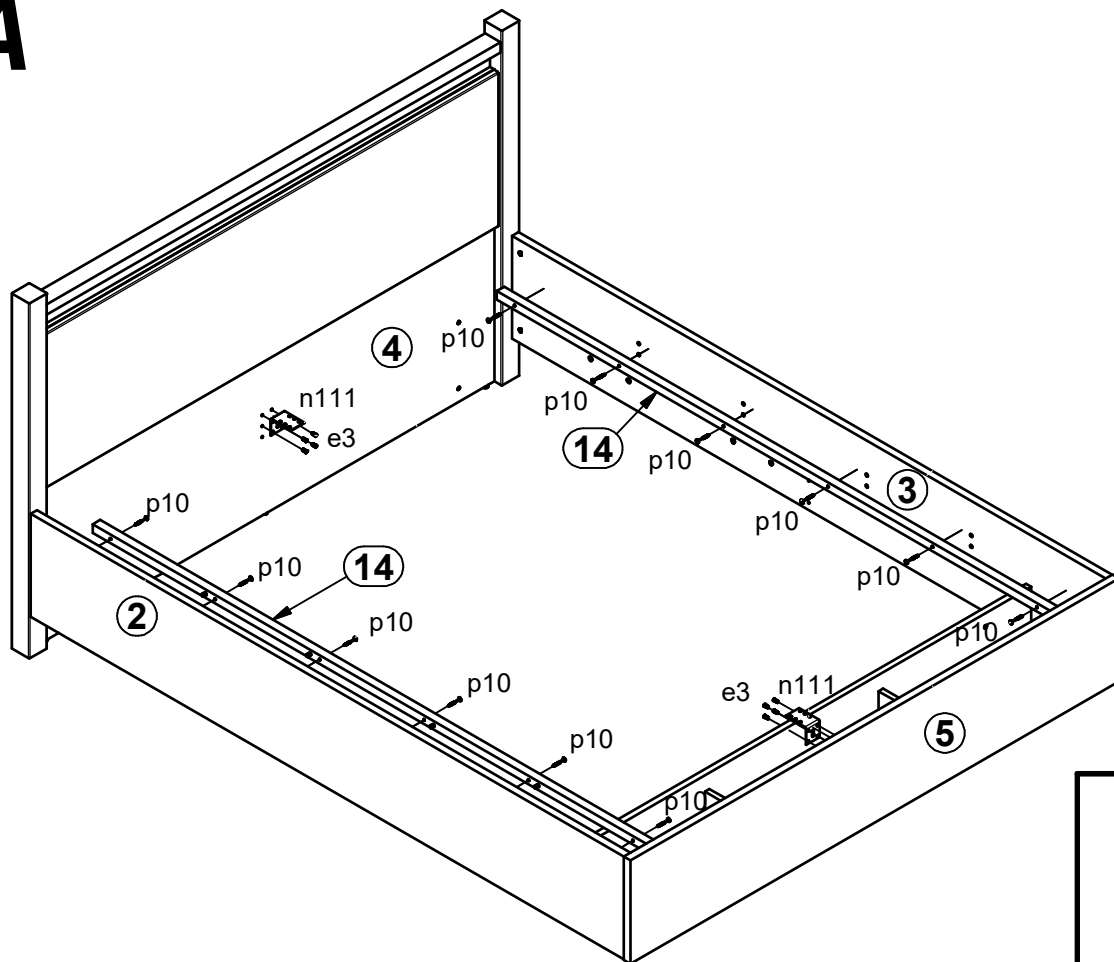
# 4



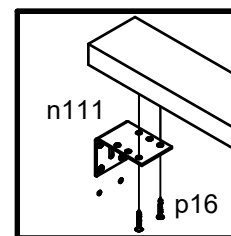
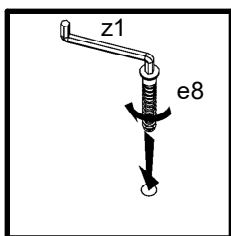
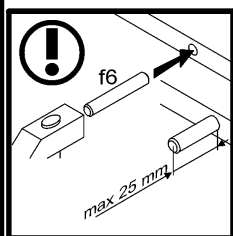
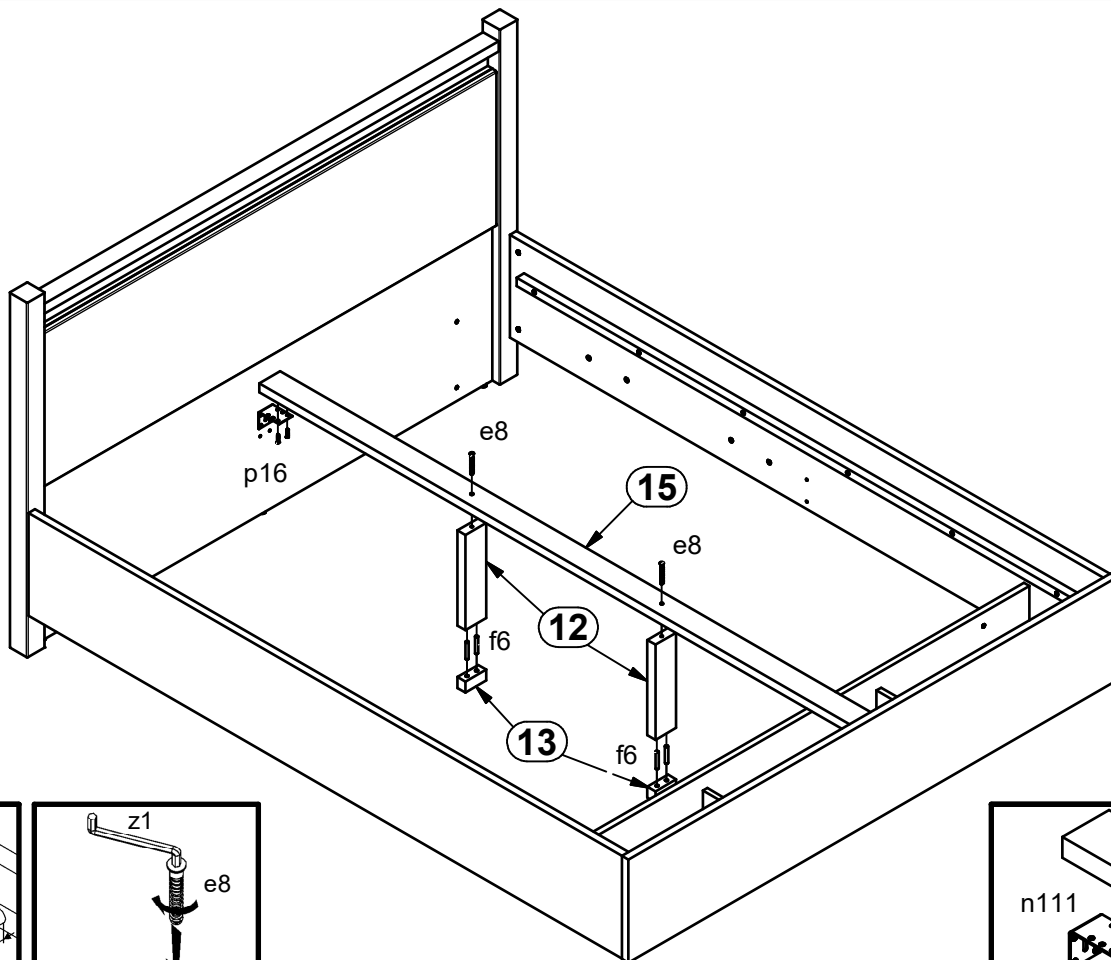
# 5



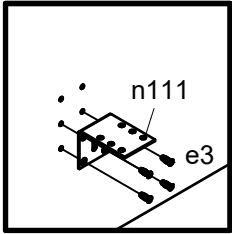
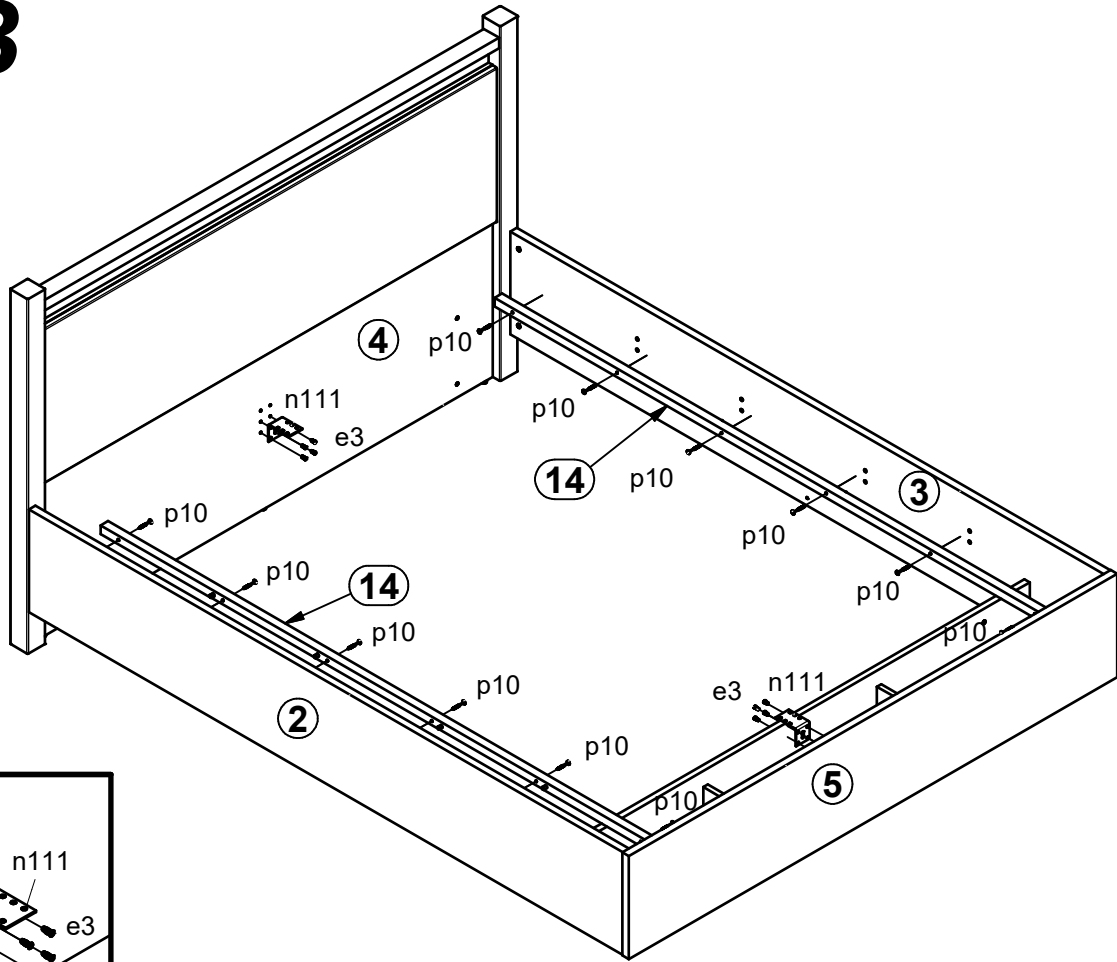
# 6A



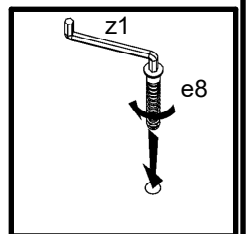
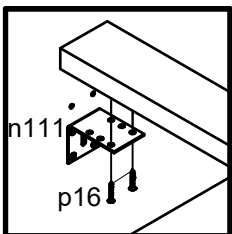
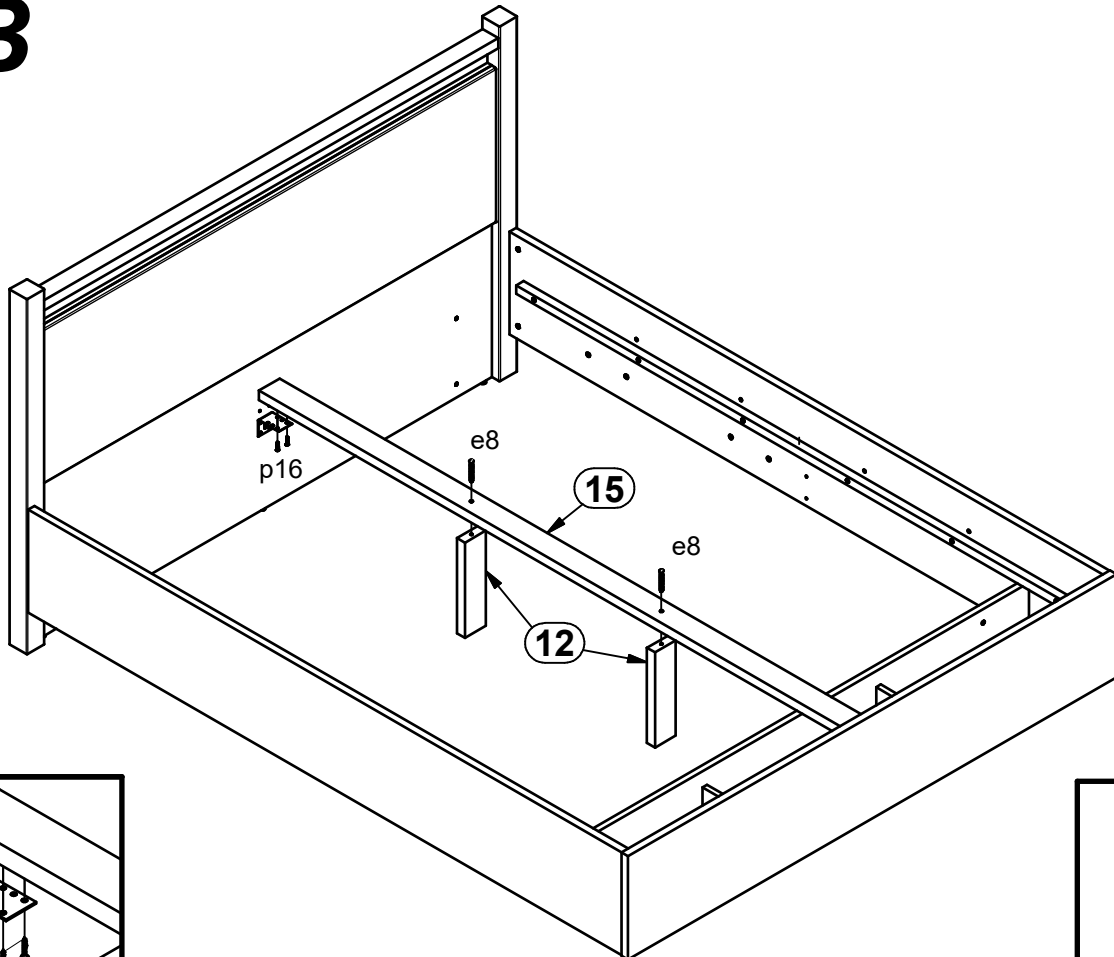
# 7A



# 6B



# 7B



# 8

